

- **Specifications :**
- Voltage rating: 250V AC / DC
 - Current rating: 3A AC / DC
 - Withstanding voltage: 1500V AC/minute
 - Temperature range: -25°C~+85°C
 - Insulation resistance: ≥1000MΩ
 - Contact resistance: ≤20mΩ
 - After environmental testing : ≤30mΩ

X9556 H F-02 L-N0 XX

① Series No.

② Category:

H-HSG

③ Welding Board Angle:

F-Female HGS

④ Row No.-Pin No.:

XX-Single row

⑤ special No.

L-Empty pick up the left button

⑥ Material:

N0-PA66 94V-0

⑦ Color:

Blank-Natural Color

Poles		A		B		C	
2	2.54	5.08	5.08	--	--	--	--
3	5.08	7.62	7.62	2.54	5.08	5.08	5.08
4	7.62	10.16	10.16	5.08	7.62	7.62	7.62
5	10.16	12.70	12.70	7.62	10.16	10.16	10.16
6	12.70	15.24	15.24	10.16	12.70	12.70	12.70
7	15.24	17.78	17.78	12.70	15.24	15.24	15.24
8	17.78	20.32	20.32	15.24	17.78	17.78	17.78
9	20.32	22.86	22.86	17.78	20.32	20.32	20.32
10	22.86	25.40	25.40	20.32	22.86	22.86	22.86
11	25.40	27.94	27.94	22.86	25.40	25.40	25.40
12	27.94	30.48	30.48	25.40	27.94	27.94	27.94
13	30.48	33.02	33.02	27.94	30.48	30.48	30.48
14	33.02	35.56	35.56	30.48	33.02	33.02	33.02
15	35.56	38.10	38.10	33.02	35.56	35.56	35.56
16	38.10	40.64	40.64	35.56	38.10	38.10	38.10
17	40.64	43.18	43.18	38.10	40.64	40.64	40.64
18	43.18	45.72	45.72	40.64	43.18	43.18	43.18
19	45.72	48.26	48.26	43.18	45.72	45.72	45.72
20	48.26	50.80	50.80	45.72	48.26	48.26	48.26

PART NO	Material	Suitable XKB Terminal	Suitable XKB Terminal
X9556HF-02L-N0	PA66 UL 94V-0	X9556TM	X9556HM-L

MARK	DESCRIPTION	DATE	REVISED	APPROVED	UNSPECIFIED TOLERANCES
△ X					L > 63 ±0.5
△ X					16 < L ≤ 63 ±0.4
△ X					4 < L ≤ 16 ±0.3
△ X					L ≤ 4 ±0.2
					ANGULAR ±5°

For and on behalf of
KXB INDUSTRIAL PRECISION CO., LIMITED
 香港星坤工業精密有限公司

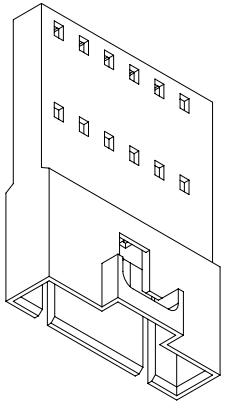
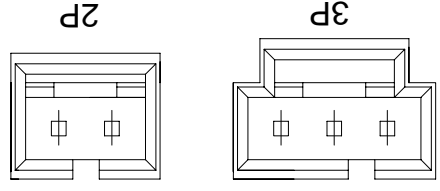
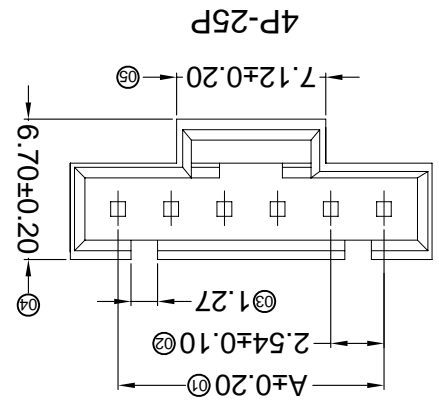
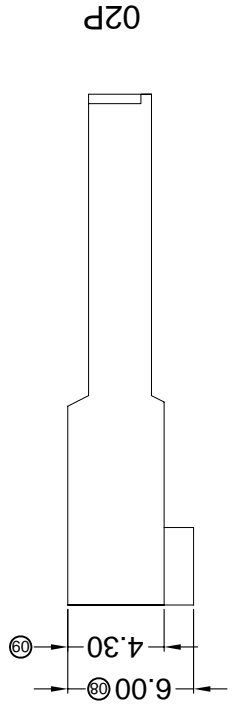
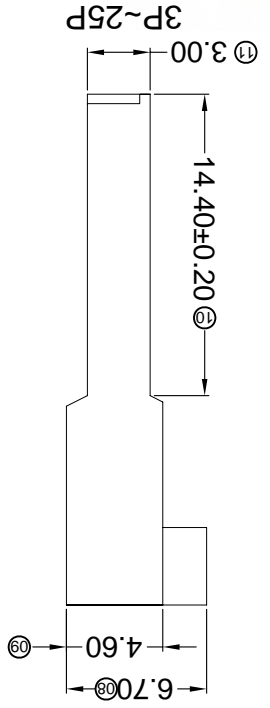
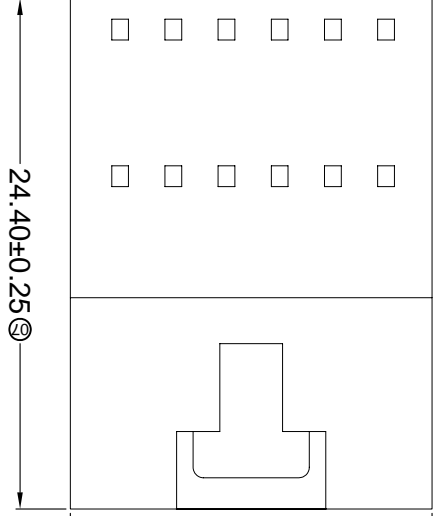
DSND	DATE	SCALE: N/A	MODEL TYPE: X9556HF-02L-N0
DWN <td>DATE <td>VIEW: </td> <td>PART NO.: 2.54 mm Crimp Style Connectors</td> </td>	DATE <td>VIEW: </td> <td>PART NO.: 2.54 mm Crimp Style Connectors</td>	VIEW:	PART NO.: 2.54 mm Crimp Style Connectors
CHKD <td>DATE <td>UNIT: mm</td> <td>DWG NO.:</td> </td>	DATE <td>UNIT: mm</td> <td>DWG NO.:</td>	UNIT: mm	DWG NO.:
APPD <td>DATE <td>SIZE: A4</td> <td>WEIGHT 1.0g</td> </td>	DATE <td>SIZE: A4</td> <td>WEIGHT 1.0g</td>	SIZE: A4	WEIGHT 1.0g
			SHEET 1/1
			REVISION A0

KXB INDUSTRIAL PRECISION CO., LIMITED

For and on behalf of
KXB INDUSTRIAL PRECISION CO., LIMITED
 香港星坤工業精密有限公司

MARK	DESCRIPTION	DATE	REVISIONS	UNSPECIFIED TOLERANCES
△ X				± 0.5
△ X				L > 63 16 < L ≤ 63
△ X				L ≤ 4 4 < L ≤ 16
				ANGULAR ± 0.2
				± 0.5

REVISIONS	DATE	DESCRIPTION
1		Initial Release
2		Material Change
3		Dimensional Change
4		Welding Board Angle
5		Special No.
6		Material
7		Color



PART NO	Material	Suitable XKB Terminal	
		Suitable XKB Terminal	Suitable XKB Terminal
X9556H	PBT UL 94V-0	X9556TM	X9556H

Poles	Dimensions (mm)		Poles	Dimensions (mm)	
	A	B		A	B
02	2.54	7.12	10	22.86	27.44
03	5.08	9.66	11	25.40	29.98
04	7.62	12.20	12	27.94	32.52
05	10.16	14.74	13	30.48	35.06
06	12.70	17.28	14	33.02	37.60
07	15.24	19.82	15	35.56	40.14
08	17.78	22.36	16	38.10	42.68
09	20.32	24.90	17	40.64	45.22

- ① Series No.
- ② Category: H-HSG
- ③ Welding Board Angle: F-Female HGS
- ④ Row No.-Pin No.: XX-Single row
- ⑤ Special No.
- ⑥ Material: PT-PBT 94V-0
- ⑦ Color: Blank-Natural Color

- Specifications :**
- Voltage rating: 250V AC / DC
 - Current rating: 3A AC / DC
 - Withstanding voltage: 1500V AC/minute
 - Temperature range: -25°C~+85°C
 - Insulation resistance: ≥1000MΩ
 - Contact resistance: ≤20mΩ
 - After environmental testing: ≤30mΩ

MODEL TYPE:	SCALE: N/A	DATE:
X9556HF-XX-PT		

VIEW:	DATE:	DATE:
VIEW: 2.54mm Crimp Style Connectors		

UNIT: mm	DATE:	DATE:
UNIT: mm		

SIZE: A4	REVISION
SIZE: A4	1/1

For and on behalf of
KKB INDUSTRIAL PRECISION CO., LIMITED
 香港星坤工業精密有限公司

REVISIONS
 Authorized Signature(s)

MARK	DESCRIPTION	DATE	REVISED	APPROVED	UNSPECIFIED TOLERANCES
△ X					L > 63 ± 0.5
△ X					16 < L ≤ 63 ± 0.4
△ X					4 < L ≤ 16 ± 0.3
					L ≤ 4 ± 0.2
					ANGULAR ± 5°

DSND	DATE	SCALE: N/A	MODEL TYPE: X9556H-XXA-N0
DWN	DATE <td>VIEW: </td> <td>PART NO.: X9556H-XXA-N0</td>	VIEW:	PART NO.: X9556H-XXA-N0
CHKD	DATE <td>UNIT: mm</td> <td>DWG NO.:</td>	UNIT: mm	DWG NO.:
APPD	DATE <td>SIZE: A4</td> <td>REVISION</td>	SIZE: A4	REVISION

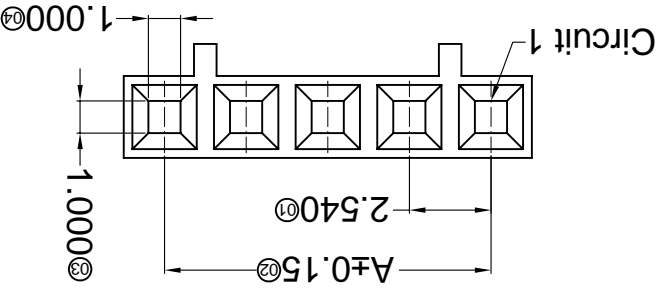
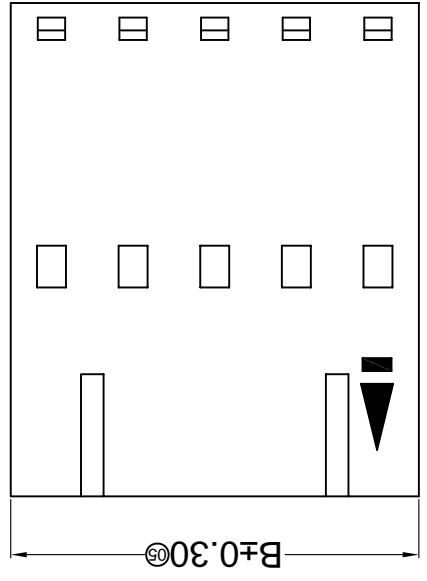
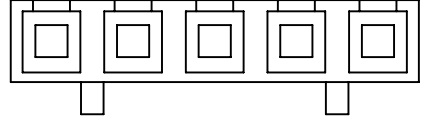
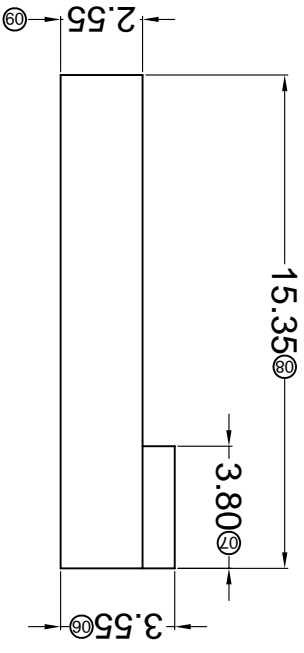
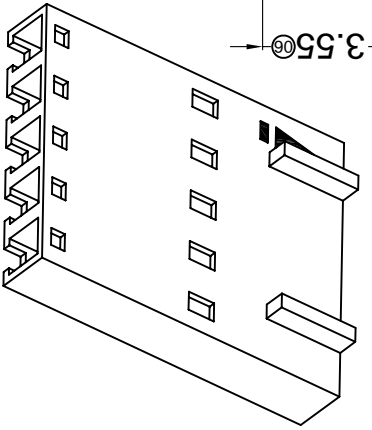
PART NO	Material	Suitable XKB Terminal	Suitable XKB Terminal
X9556H-XXA-N0	PA66 UL 94V-0	X9556T	X9566W

Poles	Dimensions (mm)	
	A	B
02	2.54	5.08
03	5.08	7.62
04	7.62	10.16
05	10.16	12.70
06	12.70	15.24
07	15.24	17.78
08	17.78	20.32
	15	35.56
	14	33.02
	13	30.48
	12	27.94
	11	25.40
	10	22.86
	09	20.32
	A	B

- ① Series No.
- ② Category: H-HSG
- ③ Appearance type: Blank-Ordinary
- ④ Row No.-Pin No.: XX-02P-15P
- ⑤ Plug the Pin & special No.:
- ⑥ A-There are convex point
- ⑦ Material: NO-PA66 UL 94V-0
- ⑧ Color: Blank-Natural Color

X9556 H X-XX A-N0 XX
 ① ② ③ ④ ⑤ ⑥ ⑦

- Specifications :
- Voltage rating: 250V AC / DC
 - Current rating: 3A AC / DC
 - Withstanding voltage: 1500V AC/minute
 - Temperature range: -25°C~+85°C
 - Insulation resistance: ≥1000MΩ
 - Contact resistance: ≤20mΩ
 - After environmental testing: ≤30mΩ

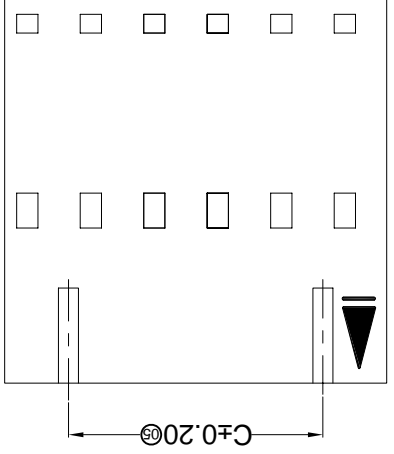


For and on behalf of
KKB INDUSTRIAL PRECISION CO., LIMITED
 香港星洲工業精密有限公司

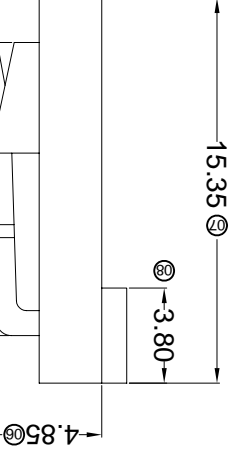
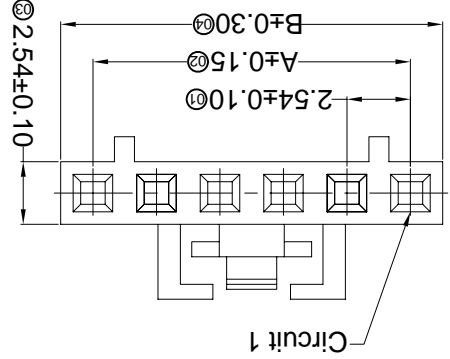
REVISIONS
 Authorized Signature(s)

MARK	DESCRIPTION	DATE	REVISD	APPROVED	UNSPECIFIED TOLERANCES
△ X					L > 63 ± 0.5
△ X					16 < L ≤ 63 ± 0.4
△ X					4 < L ≤ 16 ± 0.3
					L ≤ 4 ± 0.2
					ANGULAR ± 5°

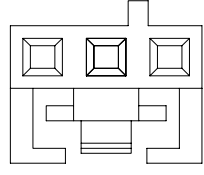
DSND	DATE	SCALE: N/A	MODEL TYPE: X9556H-XXB-N0XX
DWN	DATE <td>VIEW: </td> <td>PART NO.: </td>	VIEW:	PART NO.:
CHKD	DATE <td>UNIT: mm</td> <td>DWG NO.:</td>	UNIT: mm	DWG NO.:
APPD	DATE <td>SIZE: A4</td> <td></td>	SIZE: A4	
		WEIGHT 1.0g	REVISION A0
		SHEET 1/1	



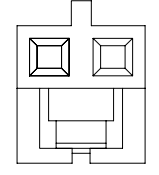
4P~20P Shape
 Scale 1:1



3P Shape
 Scale 1:1



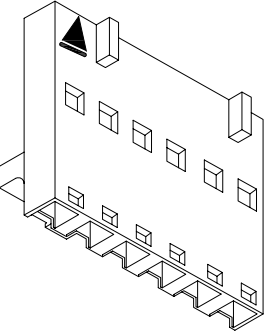
2P Shape
 Scale 1:1



PART NO	Material	Suitable XkB Terminal
X9556H-XXB-N0HF	Nylon 66 UL 94V-0 Halogen Free	X9556T
X9556H-XXB-N0	Nylon 66 UL 94V-0	Suitable XkB Terminal

Poles	Dimensions(mm)		
	A	B	C
02	2.54	5.08	--
03	5.08	7.62	--
04	7.62	10.16	5.08
05	10.16	12.70	7.62
06	12.70	15.24	10.16
07	15.24	17.78	12.70
08	17.78	20.32	15.24
09	20.32	22.86	17.78
10	22.86	25.40	20.32
11	25.40	27.94	22.86

- Specifications :
- Voltage rating: 250V AC / DC
 - Current rating: 3A AC / DC
 - Withstanding voltage: 1500V AC/minute
 - Temperature range: -25°C~+85°C
 - Insulation resistance: ≥1000MΩ
 - Contact resistance: ≤20mΩ
 - After environmental testing: ≤30mΩ
- X9556 H X-XX B-N0 XX
- ① ② ③ ④ ⑤ ⑥ ⑦
 - ⑧ Series No.
 - ⑨ Category: H-HSG
 - ⑩ Welding Board Angle: Blank-ordinary
 - ⑪ Row No.-Pin No.:XX-Single row
 - ⑫ Special No.
 - ⑬ B-There are convex point and the buckle
 - ⑭ Material: NO-PA66 94V-0
 - ⑮ Color:
 - ⑯ Blank-Natural Color
 - ⑰ HF-Halogen free



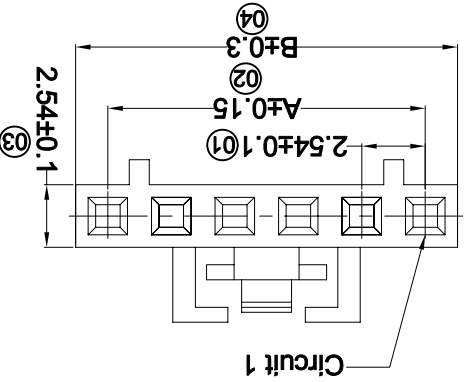
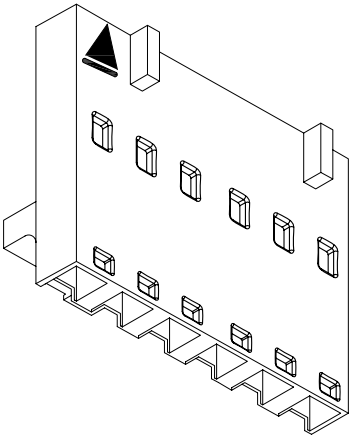
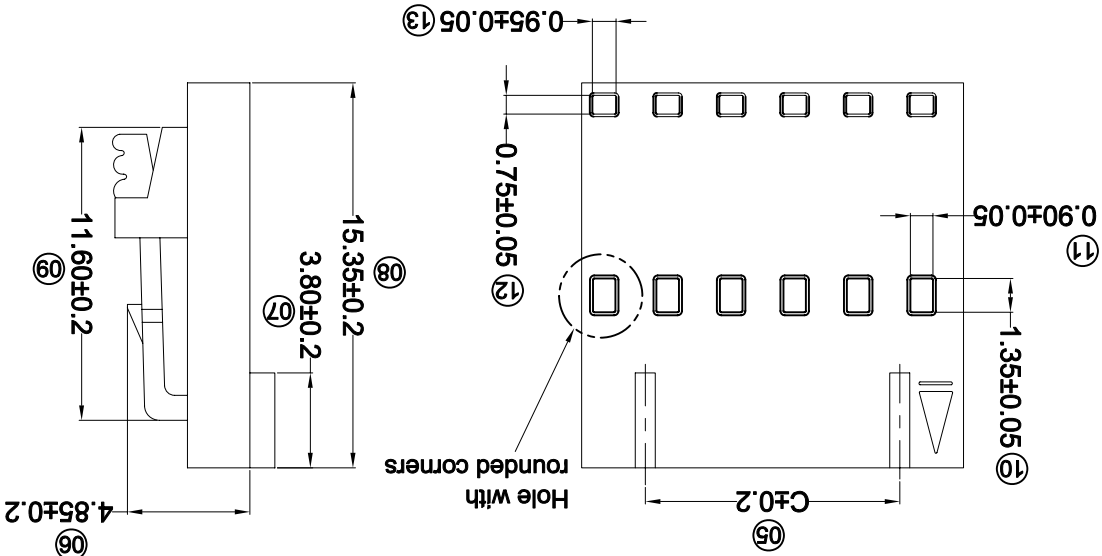
For and on behalf of
KXB INDUSTRIAL PRECISION CO., LIMITED
 香港星坤工業精密有限公司

MARK	DESCRIPTION	DATE	REVISED	APPROVED	UNSPECIFIED TOLERANCES
△ X					L > 63 ± 0.5
△ X					16 < L ≤ 63 ± 0.4
△ X					4 < L ≤ 16 ± 0.3
					L ≤ 4 ± 0.2
					ANGULAR ± 5°

REVISIONS	APPROVED	DATE	REVISED	DATE	DESCRIPTION

WEIGHT	1.0g
SHEET	1/1
REVISION	A0

KXB INDUSTRIAL PRECISION CO., LIMITED



PART NO	Material	Suitable XKB Terminal
X9556H-XXC-N0	Nylon 66 UL 94V-0	Suitable XKB Terminal
X9556H-XXC-N0HF	Halogen Free Nylon 66 UL 94V-0	Suitable XKB Terminal

Poles	A	B	C
20	48.26	50.80	45.72
19	45.72	48.26	43.18
18	43.18	45.72	40.64
17	40.64	43.18	38.10
16	38.10	40.64	35.56
15	35.56	38.10	33.02
14	33.02	35.56	30.48
13	30.48	33.02	27.94
12	27.94	30.48	25.40
11	25.40	27.94	22.86
10	22.86	25.40	20.32
9	20.32	22.86	17.78
8	17.78	20.32	15.24
7	15.24	17.78	12.70
6	12.70	15.24	10.16
5	10.16	12.70	7.62
4	7.62	10.16	5.08
3	5.08	7.62	2.54
2	2.54	5.08	-
1	-	2.54	C

- X9556 H X-XX C-N0 XX**
- ① Series No.
 - ② Category: H-HSG
 - ③ Welding Board Angle:
 - ④ Row No.-Pin No.:
 - ⑤ Blank-ordinary
 - ⑥ XX-Single row
 - ⑦ special No.
 - ⑧ C-Hole with rounded corners
 - ⑨ Material: N0-PA66 94V-0
 - ⑩ Color: Blank-Natural Color
 - ⑪ HF-Halogen free

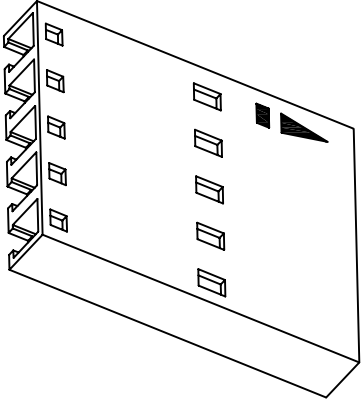
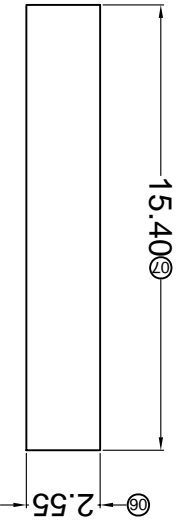
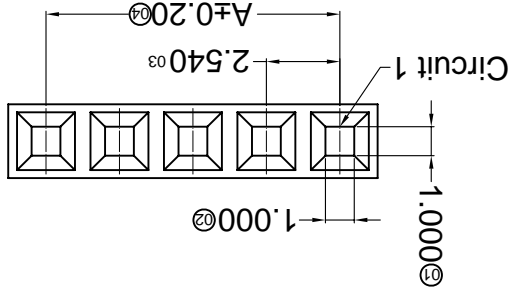
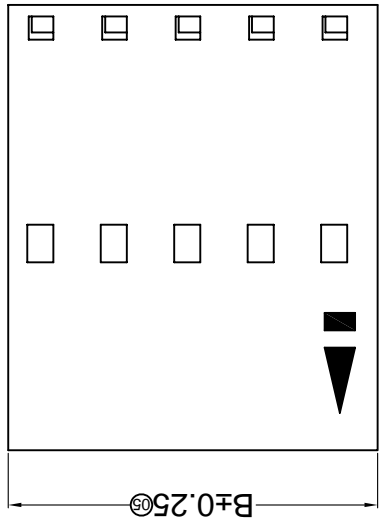
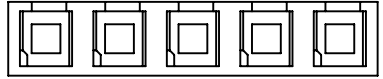
- Specifications :**
- Voltage rating: 250V AC / DC
 - Current rating: 3A AC / DC
 - Withstanding voltage: 1500V AC/minute
 - Temperature range: -25°C~+85°C
 - Insulation resistance: ≥1000MΩ
 - Contact resistance: ≤20mΩ
 - After environmental testing: ≤30mΩ

For and on behalf of
KXB INDUSTRIAL PRECISION CO., LIMITED
 香港星坤工業精密有限公司

REMISSIONS
 Authorized Signature(s)

MARK	DESCRIPTION	DATE	REVISD	APPROVED	UNSPECIFIED TOLERANCES
△ X					± 5°
△ X					ANGULAR
△ X					± 0.2
					± 0.3
					4 < L ≤ 16
					± 0.4
					16 < L ≤ 63
					L > 63
					± 0.5

DSND	DATE	SCALE: N/A	MODEL TYPE: X9556H-XX-N0
DWN	DATE <td>VIEW: </td> <td>PART NO.: X9556H-XX-N0</td>	VIEW:	PART NO.: X9556H-XX-N0
CHKD	DATE <td>UNIT: mm</td> <td>DWG NO.:</td>	UNIT: mm	DWG NO.:
APPD	DATE <td>SIZE: A4</td> <td>WEIGHT: 1.0g</td>	SIZE: A4	WEIGHT: 1.0g
			SHEET: 1/1
			REVISION: A0



PART NO	Material	Suitable XKB Terminal	Suitable XKB Terminal
X9556H-XX-N0	PA66 UL 94V-0	X9556T	X9556W

Poles	Dimensions (mm)	
	A	B
02	2.54	09
03	5.08	10
04	7.62	11
05	10.16	12
06	12.70	13
07	15.24	14
08	17.78	15

- ① Series No.
- ② Category: H-HSG
- ③ Appearance type: Blank-Ordinary
- ④ Row No.-Pin No.: XX-02P~15P
- ⑤ Plug the Pin & special No.:
- ⑥ Material: NO-PA66 UL 94V-0
- ⑦ Color: Blank-Natural Color

X9556 H X-XX X-N0 XX
 ① ② ③ ④ ⑤ ⑥ ⑦

- Voltage rating: 250V AC / DC
- Current rating: 3A AC / DC
- Withstanding voltage: 1500V AC/minute
- Temperature range: -25°C~+85°C
- Insulation resistance: ≥1000MΩ
- Contact resistance: ≤20mΩ
- After environmental testing: ≤30mΩ

■ Specifications :

For and on behalf of
XKB INDUSTRIAL PRECISION CO., LIMITED
 香港星坤工業精密有限公司

REVISIONS
 Authorized Signature(s)

MARK	DESCRIPTION	DATE	REVISED	APPROVED	UNSPECIFIED TOLERANCES
△ X					± 5°
△ X					ANGULAR
△ X					± 0.2
					L ≤ 4
					± 0.3
					4 < L ≤ 16
					± 0.4
					16 < L ≤ 63
					± 0.5
					L > 63

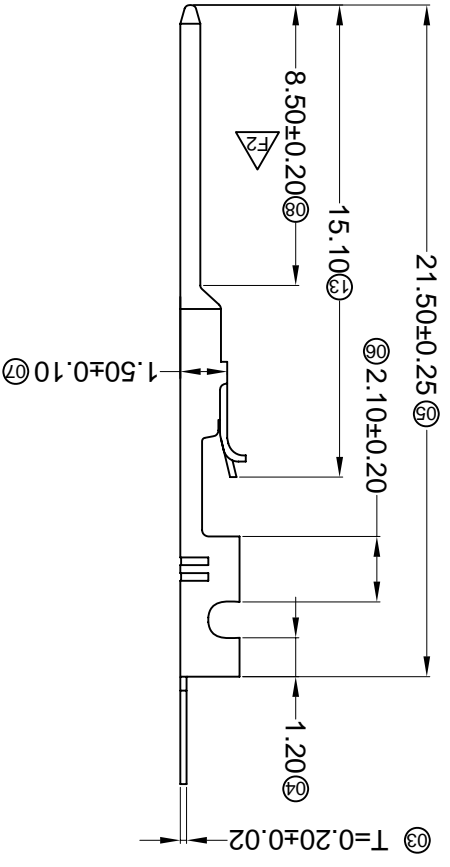
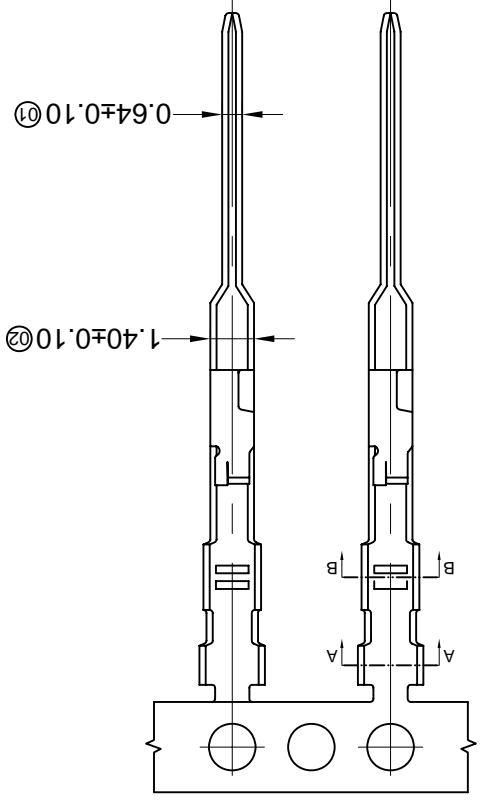
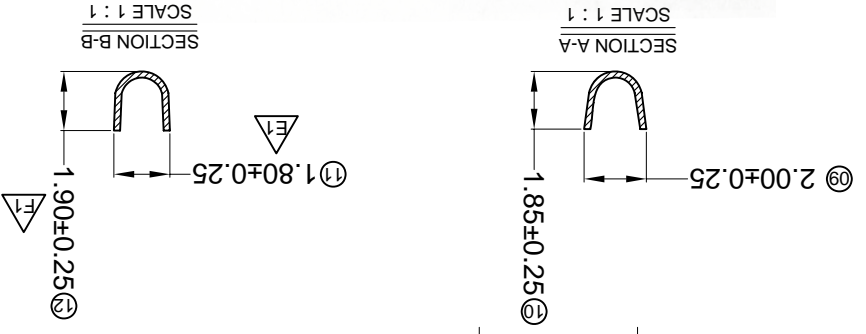
REVISION	SHEET	WEIGHT	WIRE RANGE	INSULATION O.D.	MATERIAL	WIRE RANGE	INSULATION O.D.	FINISH	SUITABLE XKB
A0	1/1	1.0g							

DSND	DATE	SCALE: N/A	MODEL TYPE: X9556TM-PXXX

DWN	DATE	VIEW:	PART NO.: X9556TM-PXXX

CHKD	DATE	UNIT: mm	DWG NO.:
			2.54 mm Crimp Style Connectors

APPD	DATE	SIZE: A4



- X9556 T M-P XX X-X**
- ① Series Number
 - ② Category: T-terminal
 - ③ Shape: M-male
 - ④ Material: P-Phosphor bronze
 - ⑤ Plating style: G01-Gold Plated Contact
 - ⑥ Plating method: SN-Bright tin plating
 - ⑦ Blank-Stamping before plating
 - ⑧ Mold No./Mark/Special No.

- Specifications :**
- Voltage rating: 250V AC / DC
 - Current rating: 3A AC / DC
 - Withstanding voltage: 1500V AC/minute
 - Temperature range: -25°C~+85°C
 - Insulation resistance: ≥1000MΩ
 - Contact resistance: ≤20mΩ
 - After environmental testing: ≤30mΩ

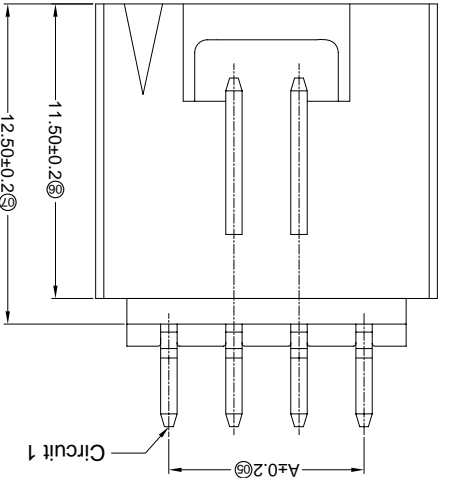
PART NO	MATERIAL	WIRE RANGE	INSULATION O.D.	FINISH	SUITABLE XKB
X9556TM-PG01	Phosphor Bronze	AWG#22-26	1.63mm(Max)	Stamping Before Plating:30u" Ni;Contact Area Gold Flash	X9556HF
X9556TM-PSN				Stamping Before Plating:30u" Ni;70u"Sn	

For and on behalf of
XKB INDUSTRIAL PRECISION CO., LIMITED
 香港星洲工業精密有限公司

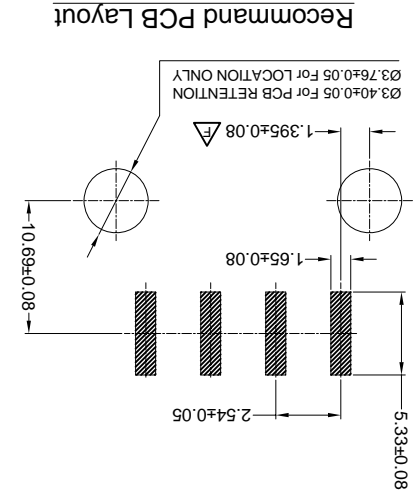
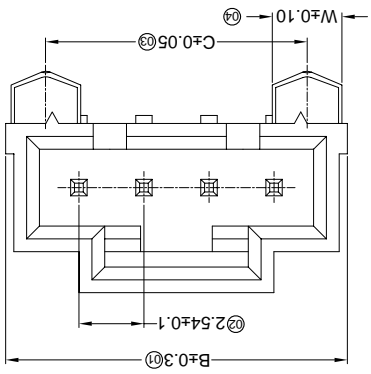
MARK	DESCRIPTION	DATE	REVISED	APPROVED	UNSPECIFIED TOLERANCES
△ X					L > 63 ± 0.5
△ X					16 < L ≤ 63 ± 0.4
△ X					4 < L ≤ 16 ± 0.3
					L ≤ 4 ± 0.2
					ANGULAR ± 5°

REVISIONS	XKB INDUSTRIAL PRECISION CO., LIMITED	
REVISION	WEIGHT	1.0g
SHEET		1/1
A0		

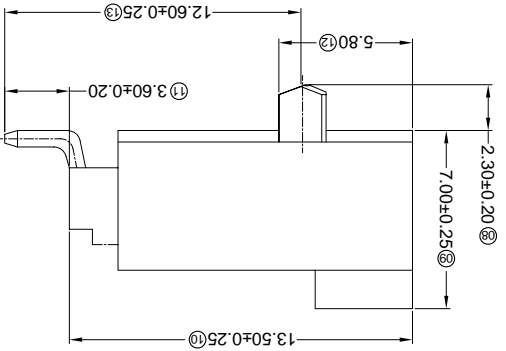
DSND	DATE	SCALE: N/A	MODEL TYPE: X9556WRS-XXX-XXXXX
DWN	DATE <td>VIEW: </td> <td>PART NO.: 2.54 mm Crimp Style Connectors</td>	VIEW:	PART NO.: 2.54 mm Crimp Style Connectors
CHKD	DATE <td>UNIT: mm <td>DWG NO.:</td> </td>	UNIT: mm <td>DWG NO.:</td>	DWG NO.:
APPD	DATE <td>SIZE: A4</td> <td></td>	SIZE: A4	



9556WRS-XX-LPV01	W=2.7
9556WRS-XX-A-LPV01	W=3.12



Recommend PCB Layout



PART NO	Material	Material(Pin)	Finish(Pin)	Suitable XKB Terminal
X9556WRS-XX-LPV01	LCP UL 94V-0	Brass	Gold-Flash	X9556H
X9556WRS-XXA-LPV01	LCP UL 94V-0		Mate tin	
X9556WRS-XXX-LPSW				
X9556WRS-XXX-4TSW	Nylon 4T 94V-0			

Poles	Dimensions (mm)			Poles	Dimensions (mm)		
	A	B	C		A	B	C
02	2.54	8.89	5.33	08	17.78	24.13	20.57
03	5.08	11.43	7.87	09	20.32	26.67	23.11
04	7.62	13.97	10.41	10	22.86	29.21	25.65
05	10.16	16.51	12.95	11	25.40	31.75	28.19
06	12.70	19.05	15.49	12	27.94	34.29	30.73
07	15.24	21.59	18.03				

- ① Series No.
 ② Category: W-water
 ③ Welding Board Angle: R-90°
 ④ Welding Way: S-SMT
 ⑤ Row No.-Pin No.: XX-Single row
 ⑥ Special NO. Blank: W=2.7 A: W=3.12
 ⑦ Material: LP-LCP 94V-0 4T-Nylon 4T 94V-0
 ⑧ Plating Category:
 V**:All Gold-Plated *01-Gold Flash
 SW-Matte Tin plating
 ⑨ Color:
 Blank-Natural Color Black
- Voltage rating: 250V AC / DC
 ● Current rating: 3A AC / DC
 ● Withstanding voltage: 1500V AC/minute
 ● Temperature range: -40°C~+105°C
 ● Insulation resistance: ≥1000MΩ/E
 ● Contact resistance: ≤20mΩ/E
 ● After environmental testing: ≤30mΩ/E

■ Specifications :

X9556 W R S- XX-XX LP XX XX

MARK	DESCRIPTION	DATE	REVISD	APPROVED	UNSPECIFIED TOLERANCES
△ X					L > 63
△ X					16 < L ≤ 63
△ X					4 < L ≤ 16
△ X					L ≤ 4
					ANGULAR
					± 5°

For and on behalf of
KXB INDUSTRIAL PRECISION CO., LIMITED
 香港星坤工業精密有限公司

REVISIONS
 (Unauthorized Signature(s))

DSND	DATE	SCALE: N/A	MODEL TYPE:
DWN <td>DATE <td>VIEW: </td> <td>PART NO.: X9556WR-XX-NOV01</td> </td>	DATE <td>VIEW: </td> <td>PART NO.: X9556WR-XX-NOV01</td>	VIEW:	PART NO.: X9556WR-XX-NOV01
CHKD <td>DATE <td>UNIT: mm</td> <td>DWG NO.: 2.54 mm Crimp Style Connectors</td> </td>	DATE <td>UNIT: mm</td> <td>DWG NO.: 2.54 mm Crimp Style Connectors</td>	UNIT: mm	DWG NO.: 2.54 mm Crimp Style Connectors
APPD <td>DATE <td>SIZE: A4</td> <td>WEIGHT: 1.0g</td> </td>	DATE <td>SIZE: A4</td> <td>WEIGHT: 1.0g</td>	SIZE: A4	WEIGHT: 1.0g

PART NO	Material	Material(Pin)	Finish(Pin)	Suitable XKB Terminal
X9556WR-XX-NOV01	Nylon 66 UL 94V-0	Brass	Gold-Flash	X9556H

Dimensions (mm)	A	B	2	2.54	7.62	3	5.08	10.16	12.70	17.78	20.32	7	15.24	Blank-DIP	17.78	22.86	8	20.32	25.40	9	20.32	25.40	10	22.86	27.94	11	25.40	30.48	12	27.94	33.02	13	30.48	35.56	14	33.02	38.10	15	35.56	40.64	16	38.10	43.18	17	40.64	45.72	18	43.18	48.26	19	45.72	50.80	20	48.26	53.34	21	50.80	55.88	22	53.34	58.42	23	55.88	60.96	24	58.42	63.50
①	②	③	④	⑤	⑥	⑦	⑧	⑨	⑩	⑪	⑫	⑬	⑭	⑮	⑯	⑰	⑱	⑲	⑳	㉑	㉒	㉓	㉔	㉕	㉖	㉗	㉘	㉙	㉚	㉛	㉜	㉝	㉞	㉟	㊱	㊲	㊳	㊴	㊵	㊶	㊷	㊸	㊹	㊺	㊻	㊼	㊽	㊾	㊿																		

X9556 W R XX-XX X-NOV01 XX
 ① Series No. ② Category: W-water ③ Welding Board Angle: R-90°
 ④ Welding Way: Blank-DIP ⑤ Row No.-Pin No. XX-Single row
 ⑥ Special NO. ⑦ Material: NO-P466 94V-0 ⑧ Planting Category: V-All Gold-Plated
 ⑨ ⑩ ⑪ ⑫ ⑬ ⑭ ⑮ ⑯ ⑰ ⑱ ⑲ ⑳ ㉑ ㉒ ㉓ ㉔ ㉕ ㉖ ㉗ ㉘ ㉙ ㉚ ㉛ ㉜ ㉝ ㉞ ㉟ ㊱ ㊲ ㊳ ㊴ ㊵ ㊶ ㊷ ㊸ ㊹ ㊺ ㊻ ㊼ ㊽ ㊾ ㊿

① 10-10u" ; ② 15-15u" ; ③ 30-30u" ; ④ 50-50u"
 ⑤ ⑥ ⑦ ⑧ ⑨ ⑩ ⑪ ⑫ ⑬ ⑭ ⑮ ⑯ ⑰ ⑱ ⑲ ⑳ ㉑ ㉒ ㉓ ㉔ ㉕ ㉖ ㉗ ㉘ ㉙ ㉚ ㉛ ㉜ ㉝ ㉞ ㉟ ㊱ ㊲ ㊳ ㊴ ㊵ ㊶ ㊷ ㊸ ㊹ ㊺ ㊻ ㊼ ㊽ ㊾ ㊿

① ② ③ ④ ⑤ ⑥ ⑦ ⑧ ⑨ ⑩ ⑪ ⑫ ⑬ ⑭ ⑮ ⑯ ⑰ ⑱ ⑲ ⑳ ㉑ ㉒ ㉓ ㉔ ㉕ ㉖ ㉗ ㉘ ㉙ ㉚ ㉛ ㉜ ㉝ ㉞ ㉟ ㊱ ㊲ ㊳ ㊴ ㊵ ㊶ ㊷ ㊸ ㊹ ㊺ ㊻ ㊼ ㊽ ㊾ ㊿

① ② ③ ④ ⑤ ⑥ ⑦ ⑧ ⑨ ⑩ ⑪ ⑫ ⑬ ⑭ ⑮ ⑯ ⑰ ⑱ ⑲ ⑳ ㉑ ㉒ ㉓ ㉔ ㉕ ㉖ ㉗ ㉘ ㉙ ㉚ ㉛ ㉜ ㉝ ㉞ ㉟ ㊱ ㊲ ㊳ ㊴ ㊵ ㊶ ㊷ ㊸ ㊹ ㊺ ㊻ ㊼ ㊽ ㊾ ㊿

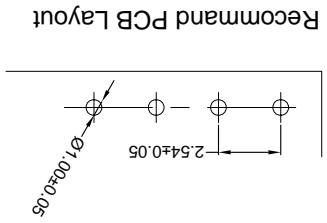
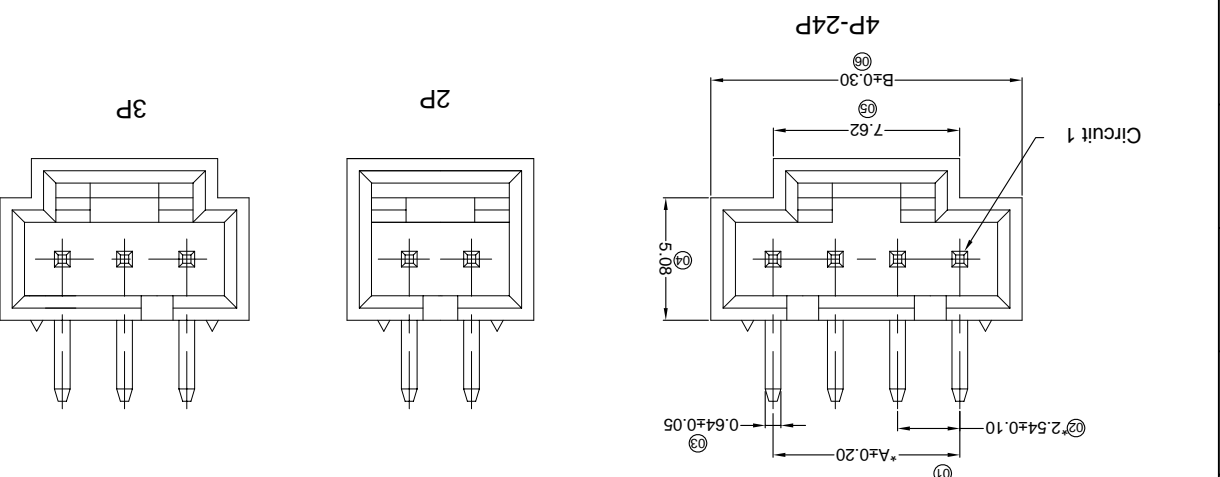
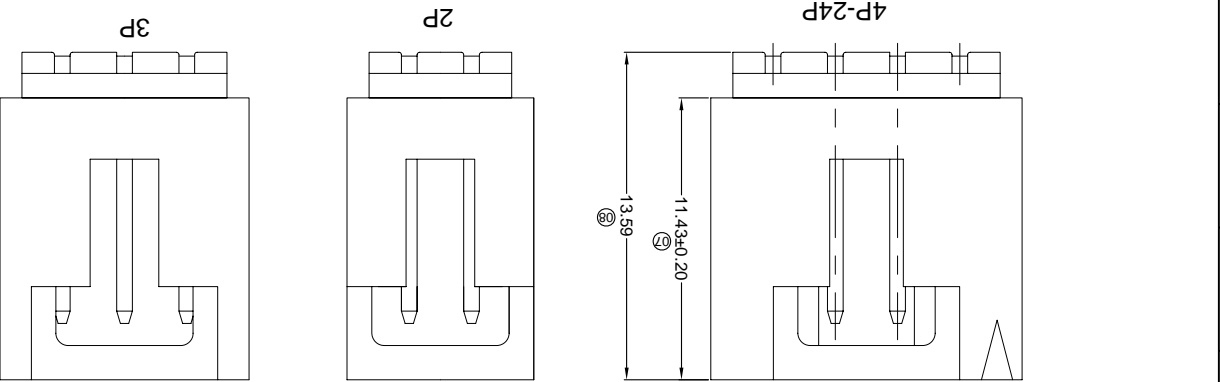
① ② ③ ④ ⑤ ⑥ ⑦ ⑧ ⑨ ⑩ ⑪ ⑫ ⑬ ⑭ ⑮ ⑯ ⑰ ⑱ ⑲ ⑳ ㉑ ㉒ ㉓ ㉔ ㉕ ㉖ ㉗ ㉘ ㉙ ㉚ ㉛ ㉜ ㉝ ㉞ ㉟ ㊱ ㊲ ㊳ ㊴ ㊵ ㊶ ㊷ ㊸ ㊹ ㊺ ㊻ ㊼ ㊽ ㊾ ㊿

① ② ③ ④ ⑤ ⑥ ⑦ ⑧ ⑨ ⑩ ⑪ ⑫ ⑬ ⑭ ⑮ ⑯ ⑰ ⑱ ⑲ ⑳ ㉑ ㉒ ㉓ ㉔ ㉕ ㉖ ㉗ ㉘ ㉙ ㉚ ㉛ ㉜ ㉝ ㉞ ㉟ ㊱ ㊲ ㊳ ㊴ ㊵ ㊶ ㊷ ㊸ ㊹ ㊺ ㊻ ㊼ ㊽ ㊾ ㊿

① ② ③ ④ ⑤ ⑥ ⑦ ⑧ ⑨ ⑩ ⑪ ⑫ ⑬ ⑭ ⑮ ⑯ ⑰ ⑱ ⑲ ⑳ ㉑ ㉒ ㉓ ㉔ ㉕ ㉖ ㉗ ㉘ ㉙ ㉚ ㉛ ㉜ ㉝ ㉞ ㉟ ㊱ ㊲ ㊳ ㊴ ㊵ ㊶ ㊷ ㊸ ㊹ ㊺ ㊻ ㊼ ㊽ ㊾ ㊿

① ② ③ ④ ⑤ ⑥ ⑦ ⑧ ⑨ ⑩ ⑪ ⑫ ⑬ ⑭ ⑮ ⑯ ⑰ ⑱ ⑲ ⑳ ㉑ ㉒ ㉓ ㉔ ㉕ ㉖ ㉗ ㉘ ㉙ ㉚ ㉛ ㉜ ㉝ ㉞ ㉟ ㊱ ㊲ ㊳ ㊴ ㊵ ㊶ ㊷ ㊸ ㊹ ㊺ ㊻ ㊼ ㊽ ㊾ ㊿

① ② ③ ④ ⑤ ⑥ ⑦ ⑧ ⑨ ⑩ ⑪ ⑫ ⑬ ⑭ ⑮ ⑯ ⑰ ⑱ ⑲ ⑳ ㉑ ㉒ ㉓ ㉔ ㉕ ㉖ ㉗ ㉘ ㉙ ㉚ ㉛ ㉜ ㉝ ㉞ ㉟ ㊱ ㊲ ㊳ ㊴ ㊵ ㊶ ㊷ ㊸ ㊹ ㊺ ㊻ ㊼ ㊽ ㊾ ㊿



Recommand PCB Layout

- Specifications :
- Voltage rating: 250V AC / DC
 - Current rating: 3A AC / DC
 - Withstanding voltage: 1500V AC/minute
 - Temperature range: -25°C~+85°C
 - Insulation resistance: ≥1000MΩ
 - Contact resistance: ≤20mΩ
 - After environmental testing: ≤30mΩ

Grid coordinates: 1-8 (horizontal), A-F (vertical)

For and on behalf of
KXB INDUSTRIAL PRECISION CO., LIMITED
 香港星坤工業精密有限公司

Revisions
 (Unauthorized Signatures)

MARK	DESCRIPTION	DATE	REVISED	APPROVED	UNSPECIFIED TOLERANCES
△ X					L > 63 ± 0.5
△ X					16 < L ≤ 63 ± 0.4
△ X					4 < L ≤ 16 ± 0.3
△ X					L ≤ 4 ± 0.2
					ANGULAR ± 5°

REVISION	SHEET	WEIGHT	DATE	DATE	DATE	DATE	DATE	DATE	DATE
A0	1/1	1.0g							

DSND	DWN	CHKD	APPD	SCALE: N/A	VIEW:	UNIT: mm	SIZE: A4

MODEL TYPE:	PART NO.:	DWG NO.:
X9556WR-XXRB-N0V01	2.54 mm Crimp Style Connectors	

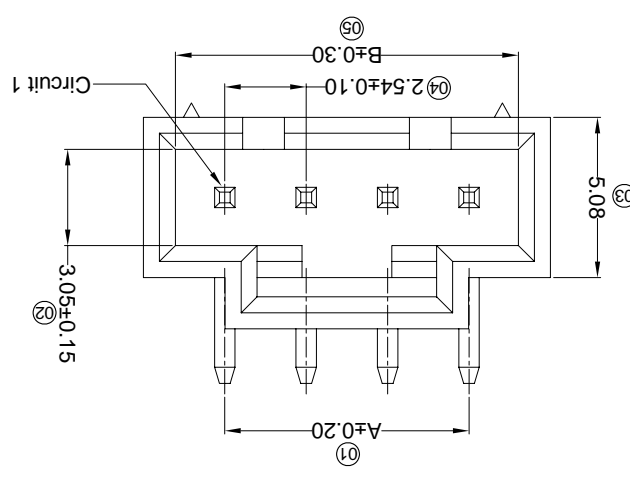
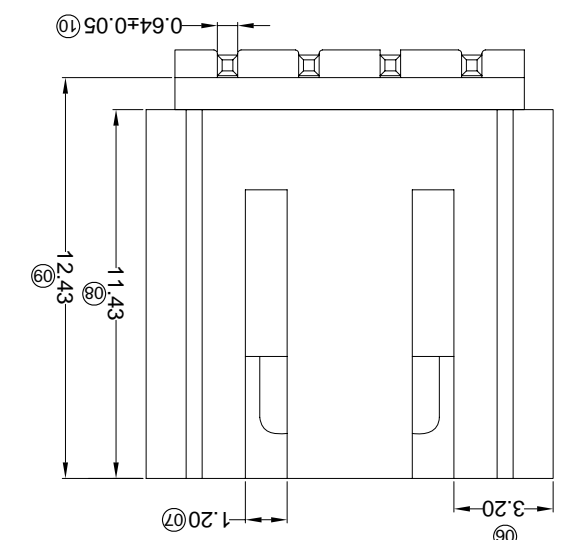
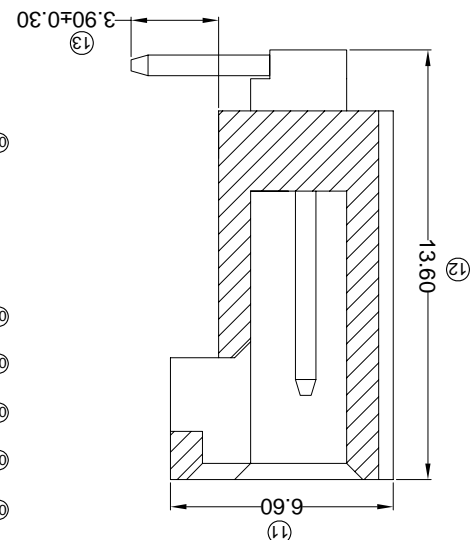
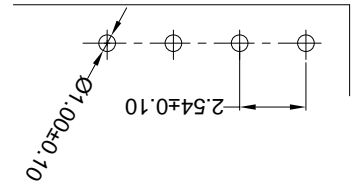
PART NO	Material	Material(Pin)	Finish(Pin)	Suitable XKB Terminal
X9556WR-XXRB-N0V01	Nylon 66 UL 94V-0	Brass	Gold-Flash	X9556H

Poles	Dimensions (mm)
A	2.54
B	5.59
2	5.08
3	8.13
4	7.62
5	10.16
6	12.70
7	15.24
8	17.78
9	20.32
10	22.86
11	25.40
12	27.94
13	30.48
14	33.02
15	35.56
	38.61

- Specifications :
- Voltage rating: 250V AC / DC
 - Current rating: 3A AC / DC
 - Withstanding voltage: 1500V AC/minute
 - Temperature range: -25°C~+85°C
 - Insulation resistance: ≥1000MΩ
 - Contact resistance: ≤20mΩ
 - After environmental testing: ≤30mΩ

X9556 W R XX-XXRB-N0V01 XX
 ① Series No.
 ② Category: W-water
 ③ Welding Board Angle: R-90°
 ④ Welding Way: Blank-DIP
 ⑤ Row No.-Pin No.
 ⑥ Special NO.
 ⑦ RB-Reverse bending
 ⑧ Material: N0-PA66 94V-0
 ⑨ Plating Category: V**All Gold-Plated
 *01-Gold Flash: *02-2u"; *03-3u"; *05-5u"
 *10-10u"; *15-15u"; *30-30u"; *50-50u"
 SN-Bright tin plating 70u"
 SN-Bright tin plating 120u" Min.;
 SW-Fog Tin plating
 ⑩ Color: Blank-natural color

Recommend PCB Layout



REVISIONS		APPROVED		REVISED		DATE	
MARK	DESCRIPTION						
△ X							
△ X							
△ X							

For and on behalf of
KKB INDUSTRIAL PRECISION CO., LIMITED
 香港星坤工業精密有限公司

UNSPECIFIED TOLERANCES	
L > 63	± 0.5
16 < L ≤ 63	± 0.4
4 < L ≤ 16	± 0.3
L ≤ 4	± 0.2
ANGULAR	± 5°

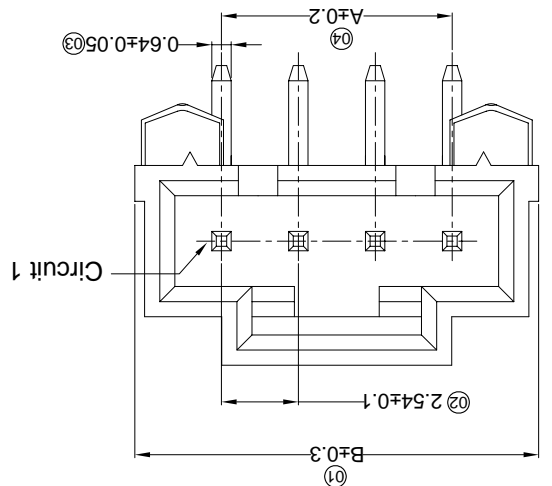
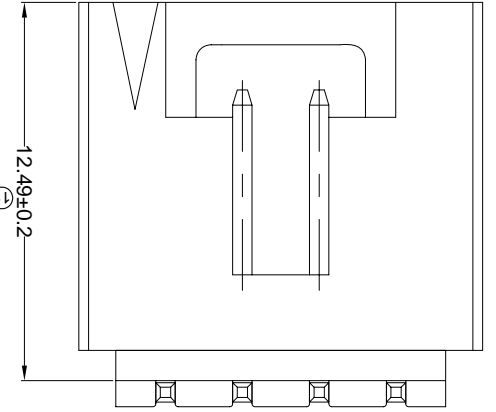
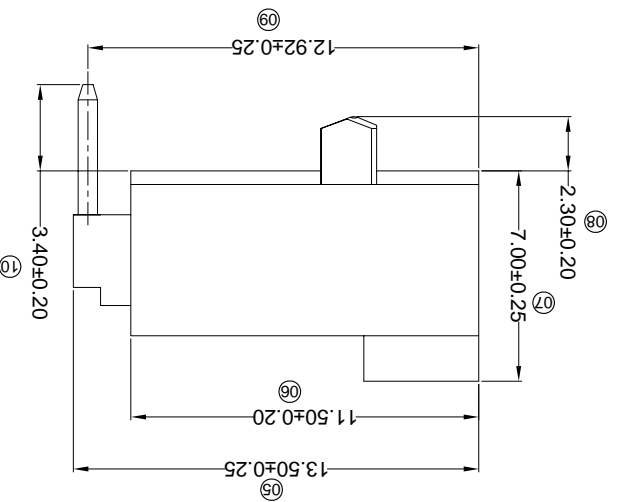
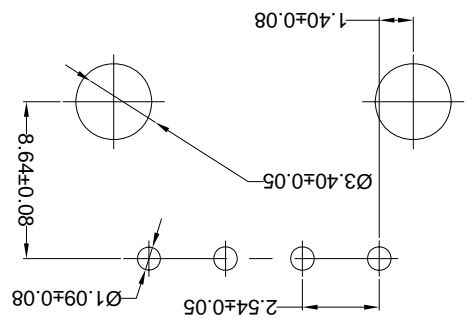
KKB INDUSTRIAL PRECISION CO., LIMITED	
DATE	DATE
SCALE: N/A	SCALE: N/A
MODEL TYPE: X9556WR-XXS-9TVXX	MODEL TYPE: X9556WR-XXS-9TVXX
PART NO.:	PART NO.:
2.54 mm Crimp Style Connectors	2.54 mm Crimp Style Connectors
DWG NO.:	DWG NO.:
SIZE: A4	SIZE: A4
WEIGHT	WEIGHT
SHEET	SHEET
REVISION	REVISION

PART NO	Material	Material(Pin)	Finish(Pin)	Suitable XKB Terminal
X9556WR-XXS-9TV01	Nylon 9T UL 94V-0	Brass	Gold-Flash	X9556H
X9556WR-XXSHF-9TV15	Nylon 9T UL 94V-0	Brass	Gold 15u"	X9556H

Poles	Dimensions (mm)
A	B
2	2.54
3	5.08
4	7.62
5	10.16
6	12.70
7	15.24
8	17.78
9	20.32
10	22.86
11	25.40
12	27.94
	33.93

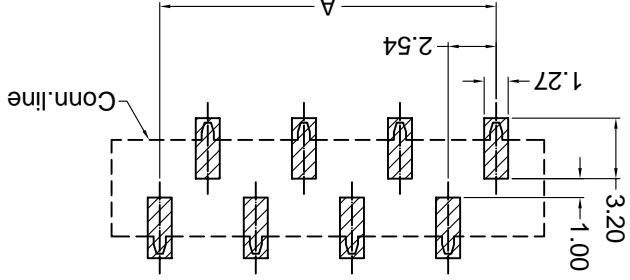
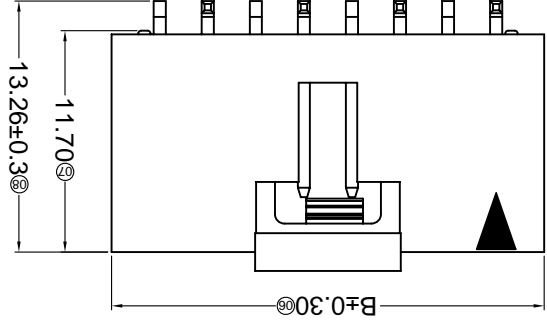
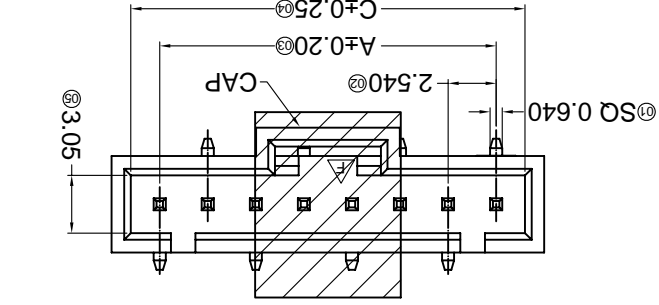
- ① Series No.
 ② Category: W-water
 ③ Welding Board Angle: R-90°
 ④ Welding Way: Blank-DIP
 ⑤ Row No.-Pin No.
 ⑥ XX-Single row
 ⑦ Special NO.
 ⑧ S-With positioning column : HF-Halogen Free
 ⑨ Material: 9T-Nylon 9T 94V-0
 ⑩ Planting Category:
 V*:All Gold-Plated
 *01-Gold Flash : *02-2u" : *03-3u" : *05-5u"
 *10-10u" : *15-15u" : *30-30u" : *50-50u"
 SN-Bright tin plating 70u"
 SN1-Bright tin plating 120u"Min. :
 SW-Fog Tin plating
 ⑪ Color:
 Blank-natural color

Recommend PCB Layout



- **Specifications :**
- Voltage rating: 250V AC / DC
 - Current rating: 3A AC / DC
 - Withstanding voltage: 1500V AC/minute
 - Temperature range: -25°C~+85°C
 - Insulation resistance: ≥1000MΩ
 - Contact resistance: ≤20mΩ
 - After environmental testing : ≤30mΩ

X9556 W R XX- XX S HF-9T VXX XX
 ① ② ③ ④ ⑤ ⑥ ⑦ ⑧ ⑨ ⑩

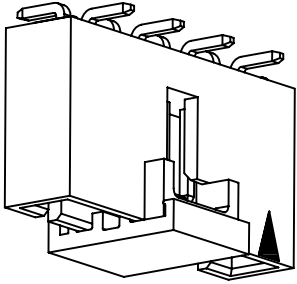
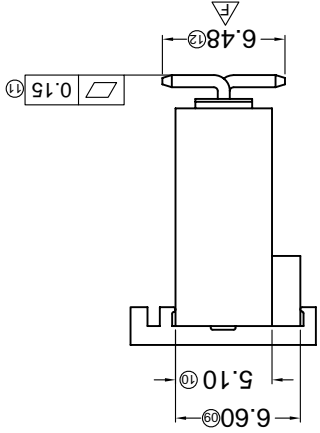


Recommended P.C.B Layout
General Tolerance±0.05

For and on behalf of
KKB INDUSTRIAL PRECISION CO., LIMITED
香港星坤工業精密有限公司

REVISIONS
Unauthorized Signature(s)

MARK	DESCRIPTION	DATE	REVISED	APPROVED	UNSPECIFIED TOLERANCES
△X					L > 63 ±0.5
△X					16 < L ≤ 63 ±0.4
△X					4 < L ≤ 16 ±0.3
					L ≤ 4 ±0.2
					ANGULAR ±5°



Poles	Dimensions (mm)			Poles	Dimensions (mm)		
	A	B	C		A	B	C
02	2.54	7.62	5.59	12	27.94	33.02	30.99
03	5.08	10.16	8.13	13	30.48	35.56	33.53
04	7.62	12.70	10.67	14	33.02	38.10	36.07
05	10.16	15.24	13.21	15	35.56	40.64	38.61
06	12.70	17.78	15.75	16	38.10	43.18	41.15
07	15.24	20.32	18.29	17	40.64	45.72	43.69
08	17.78	22.86	20.83	18	43.18	48.26	46.23
09	20.32	25.40	23.37	19	45.72	50.80	48.77
10	22.86	27.94	25.91	20	48.26	53.34	51.31
11	25.40	30.48	28.45				

- ① Series No.
- ② Category: W-WAFER
- ③ Welding Board Angle: V-Straight 180°
- ④ Welding Way: S-SMT
- ⑤ Row No.-Pin No.: XX-02P~20P
- ⑥ Plug the Pin & Special No.:
- ⑦ Material: 4T -PA4T UL 94V-0
- ⑧ Plating Category: V01-Gold Flash
- ⑨ SW-Matte Tin Plating
- ⑩ Color : Blank-Natural Color Black

X9556 W V S-XX X-4T XX XX

- Specifications :
- Voltage rating: 250V AC / DC
- Current rating: 3A AC / DC
- Withstanding voltage: 1500V AC/minute
- Temperature range: -40°C~+105°C
- Insulation resistance: ≥1000MΩ
- Contact resistance: ≤20mΩ
- After environmental testing: ≤30mΩ

DSND	DATE	SCALE: N/A	MODEL TYPE: X9556WVS-XX-4TXX
DWN	DATE <td>VIEW: </td> <td>PART NO.:</td>	VIEW:	PART NO.:
CHKD	DATE <td>UNIT: mm</td> <td>DWG NO.:</td>	UNIT: mm	DWG NO.:
Appd	DATE <td>SIZE: A4</td> <td>REVISION</td>	SIZE: A4	REVISION

KKB INDUSTRIAL PRECISION CO., LIMITED

WEIGHT	SHEET	REVISION
1.0g	1/1	A0

For and on behalf of
KXB INDUSTRIAL PRECISION CO., LIMITED
 香港星坤工業精密有限公司

MARK	DESCRIPTION	DATE	REVISED	APPROVED	UNSPECIFIED TOLERANCES
△ X					L > 63 ± 0.5
△ X					16 < L ≤ 63 ± 0.4
△ X					4 < L ≤ 16 ± 0.3
△ X					L ≤ 4 ± 0.2
					ANGULAR ± 5°

REVISIONS	KXB INDUSTRIAL PRECISION CO., LIMITED	
WEIGHT	1.0g	
SHEET	1/1	
REVISION	A0	

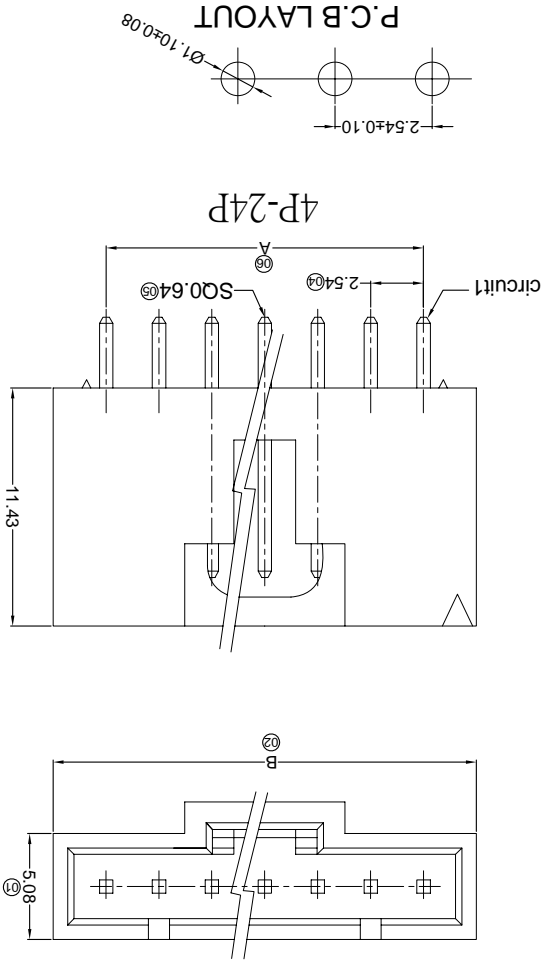
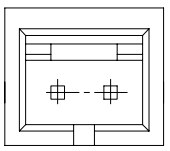
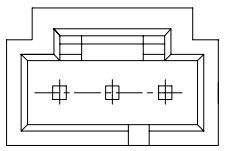
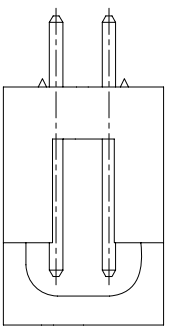
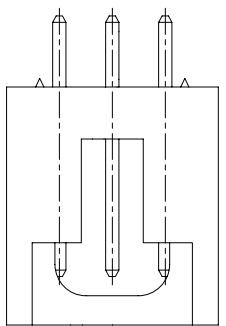
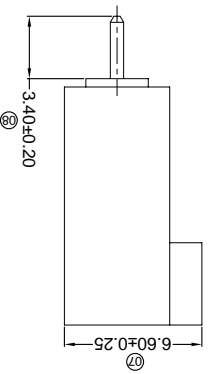
DSND	DATE	SCALE: N/A	MODEL TYPE:	MODEL TYPE:
			X9556WV-XX-N0XX	
DWN	DATE	VIEW:	PART NO.:	PART NO.:
CHKD	DATE	UNIT: mm	DWG NO.:	DWG NO.:
			2.54 mm Crimp Style Connectors	
APPD	DATE	SIZE: A4		

PART NO	Material	Material (Pin)	Finish (Pin)	Suitable XKB Terminal
X9556WV-XX-N0V15	Nylon 66 UL 94V-0	Brass	Gold-Plated 15u"	X9556H
X9556WV-XX-N0V01	Nylon 66 UL 94V-0	Brass	Gold-Flash	

Dimensions (mm)	Poles
2.54	2
7.62	3
5.08	4
12.70	5
15.24	6
17.78	7
20.32	8
22.86	9
25.40	10
27.94	11
30.48	12
33.02	13
35.56	14
38.10	15
40.64	16
43.18	17
45.72	18
48.26	19
50.80	20
53.34	21
55.88	22
58.42	23
60.96	24
63.50	25

- Specifications :**
- Voltage rating: 250V AC / DC
 - Current rating: 3A AC / DC
 - Withstanding voltage: 1500V AC/minute
 - Temperature range: -25°C~+85°C
 - Insulation resistance: ≥1000MΩ
 - Contact resistance: ≤20mΩ
 - After environmental testing: ≤30mΩ

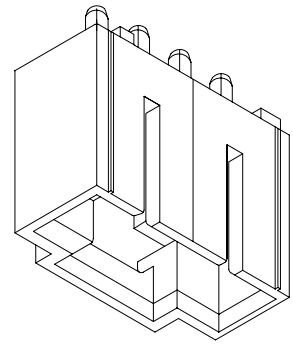
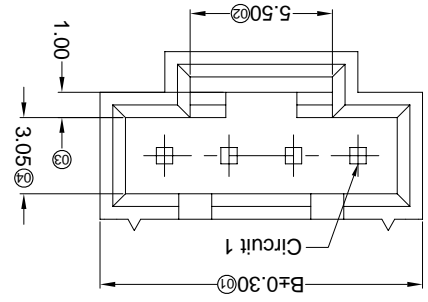
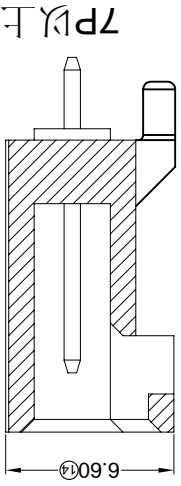
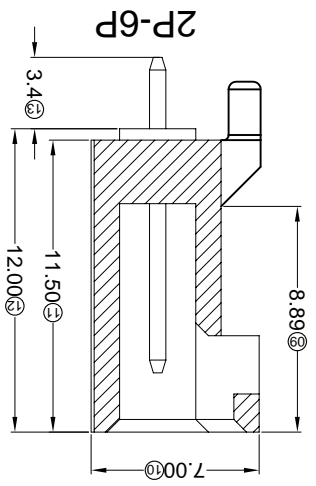
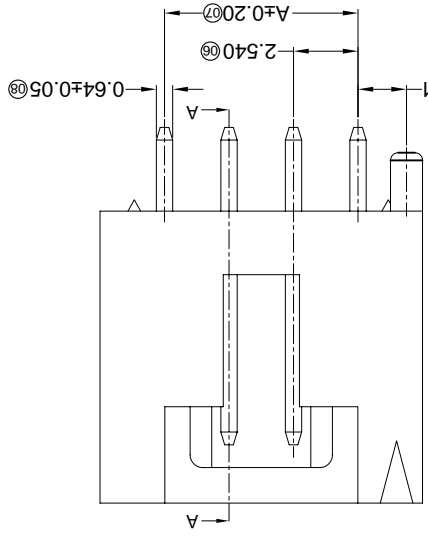
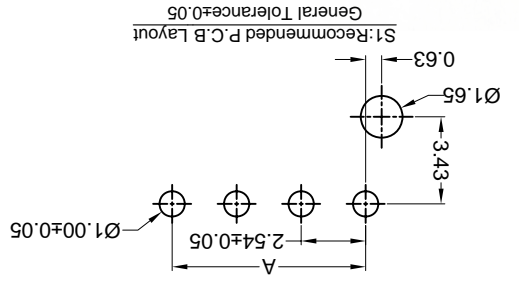
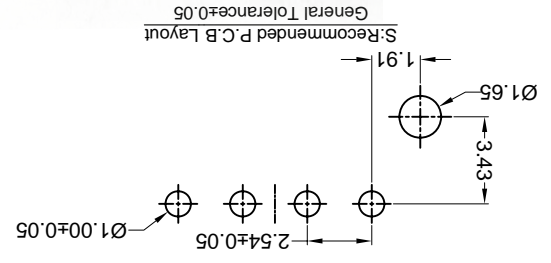
X9556 W V XX- XX X-N0XX XX
 ① Series No.
 ② Category: W-water
 ③ Welding Board Angle: V-180°
 ④ Welding Way: Blank-DIP
 ⑤ Row No.-Pin No.
 ⑥ XX-Single row
 ⑦ Special NO.
 ⑧ Material: N0-PA66 94V-0
 ⑨ Plating Category: V*:All Gold-Plated
 *01-Gold Flash : *02-2u" ; *03-3u" ; *05-5u"
 *10-10u" ; *15-15u" ; *30-30u" ; *50-50u"
 SN-Bright tin plating 70u"
 SN-1 Bright tin plating 120u"Min. ;
 SW-Fog Tin plating
 ⑩ Color: Blank-natural color



For and on behalf of
KXB INDUSTRIAL PRECISION CO., LIMITED
 香港星坤工業精密有限公司

MARK	DESCRIPTION	DATE	REVISED	APPROVED	UNSPECIFIED TOLERANCES
△ X					L > 63 ± 0.5
△ X					16 < L ≤ 63 ± 0.4
△ X					4 < L ≤ 16 ± 0.3
					L ≤ 4 ± 0.2
					ANGULAR ± 5°

REVISIONS	KXB INDUSTRIAL PRECISION CO., LIMITED	
WEIGHT	1.0g	
SHEET	1/1	
REVISION	A0	
DATE		DATE
DATE		DATE
DATE		DATE
DATE		DATE
SCALE: N/A		
MODEL TYPE:	X9556WV-XXSX-LP01	
PART NO.:	X9556WV-XXSX-LP01	
VIEW:	2.54 mm Crimp Style Connectors	
UNIT: mm	SIZE: A4	
DWG NO.:		



SECTION A-A
 SCALE 1 : 1

PART NO	Material	Material(Pin)	Finish(Pin)	Suitable XKB Terminal
X9556WV-XXSX-LP01	LCP UL 94V-0	Brass	Gold-Flash	X9556H

Poles	Dimensions (mm)			
	A	B	A	B
2	2.54	7.62	14	33.02
3	5.08	10.16	15	35.56
4	7.62	12.70	16	38.10
5	10.16	15.24	17	40.64
6	12.70	17.78	18	43.18
7	15.24	20.32	19	45.72
8	17.78	22.86	20	48.26
9	20.32	25.40	21	50.80
10	22.86	27.94	22	53.34
11	25.40	30.48	23	55.88
12	27.94	33.02	24	58.42
13	30.48	35.56		63.50

- ① Series No. X9556 W V X-XX SX-LP XXX XX
 ② Category: W-water
 ③ Welding Board Angle: V- Straight 180°
 ④ Welding Way: Blank-DIP
 ⑤ Row No.-Pin No.: XX-02P~24P
 ⑥ Plug the Pin & Special No.:
 S-With Post,distance Pin 1.91mm;
 S1-With Post ,distance Pin 0.63mm;
 ⑦ Material: LP-LCP 94V-0;
 ⑧ Plating Category: V01-Gold Flash;
 ⑨ Color: Blank-Natural Color

- Specifications :
 • Voltage rating: 250V AC / DC
 • Current rating: 3A AC / DC
 • Withstanding voltage: 1500V AC/minute
 • Temperature range: -25°C~+85°C
 • Insulation resistance: ≥1000MΩ
 • Contact resistance: ≤20mΩ
 • After environmental testing: ≤30mΩ

X-ON Electronics

Largest Supplier of Electrical and Electronic Components

Click to view similar products for [Headers & Wire Housings](#) category:

Click to view products by [XKB](#) manufacturer:

Other Similar products are found below :

[95000-104TRLF](#) [10135584-644402LF](#) [DF62W-EP2022PCA](#) [95000-106TRLF](#) [DF62W-2022SCA](#) [DF62W-EP2022PC](#) [2203348](#) [DF62W-2022SC](#) [1084018](#) [1029039](#) [1084017](#) [802-10-012-10-002000](#) [1112640](#) [1112639](#) [891-007-9SS-BST1T](#) [000-34000](#) [0008550134](#) [0009482033](#) [0009507031](#) [57102-F02-18ULF](#) [57102-S06-03LF](#) [57202-S52-04LF](#) [PCN6-15S-2.5E](#) [0039019024](#) [58102-G61-06LF](#) [582553-1](#) [0009485154](#) [0009508121](#) [0022285053](#) [0050291907](#) [018731A](#) [LY20-4P-DT1-P1E-BR](#) [02.125.8002.8](#) [60101931](#) [60598-1 \(Cut Strip\)](#) [M1625-3R/100](#) [61062-3](#) [61082-181009](#) [CSU011177004](#) [636-1427](#) [638009-1](#) [641938-9](#) [641991-4](#) [644168-1](#) [644827-2](#) [647662-1](#) [65039-019ELF](#) [65692-001LF](#) [65781-018](#) [65781-047](#)