

- Specifications :
- Voltage rating: 250V AC / DC
 - Current rating: 3A AC / DC
 - Withstanding voltage: 1500V AC/minute
 - Temperature range: -25°C~+85°C
 - Insulation resistance: ≥1000MΩ
 - Contact resistance: ≤20mΩ
 - After environmental testing : ≤30mΩ

X9556 H F-02 L-N0 XX

① ② ③ ④ ⑤ ⑥ ⑦

① Series No.

② Category: H-HSG

③ Welding Board Angle: F-Female HGS

④ Row No.-Pin No.: 2 54

⑤ special No.

⑥ Material: L-Empty pick up the left button

⑦ Color: Blank-Natural Color

⑧ Material: N0-PA66 94V-0

⑨ Dimensions (mm)

Poles	A	B	C
20	48.26	50.80	45.72
19	45.72	48.26	43.18
18	43.18	45.72	40.64
17	40.64	43.18	38.10
16	38.10	40.64	35.56
15	35.56	38.10	33.02
14	33.02	35.56	30.48
13	30.48	33.02	27.94
12	27.94	30.48	25.40
11	25.40	27.94	22.86
10	22.86	25.40	20.32
9	20.32	22.86	17.78
8	17.78	20.32	15.24
7	15.24	17.78	12.70
6	12.70	15.24	10.16
5	10.16	12.70	7.62
4	7.62	10.16	5.08
3	5.08	7.62	2.54
2	2.54	5.08	--
A	--	--	--
B	--	--	--
C	--	--	--

PART NO	Material	Suitable XKB Terminal
X9556HF-02L-N0	PA66 UL 94V-0	Suitable XKB Terminal
X9556TM		Suitable XKB Terminal
X9556HM-L		Suitable XKB Terminal

MARK	DESCRIPTION	DATE	REVISED	APPROVED	UNSPECIFIED TOLERANCES
△ X					L > 63 ±0.5
△ X					16 < L ≤ 63 ±0.4
△ X					4 < L ≤ 16 ±0.3
△ X					L ≤ 4 ±0.2
					ANGULAR ±5°

For and on behalf of
XKB INDUSTRIAL PRECISION CO., LIMITED
 香港星坤工業精密有限公司

DSND	DATE	SCALE: N/A	MODEL TYPE: X9556HF-02L-N0
DWN	DATE <td>VIEW: ④</td> <td>PART NO.: 2.54 mm Crimp Style Connectors</td>	VIEW: ④	PART NO.: 2.54 mm Crimp Style Connectors
CHKD	DATE <td>UNIT: mm</td> <td>DWG NO.:</td>	UNIT: mm	DWG NO.:
APPD	DATE <td>SIZE: A4</td> <td>REVISION</td>	SIZE: A4	REVISION

XKB INDUSTRIAL PRECISION CO., LIMITED

REVISIONS
 Authorized Signature(s)

WEIGHT	SHEET	REVISION
1.0g	1/1	A0

For and on behalf of
KKB INDUSTRIAL PRECISION CO., LIMITED
 香港星坤工業精密有限公司

MARK	DESCRIPTION	DATE	REVISIONS	UNSPECIFIED TOLERANCES
△ X				± 0.5
△ X				L > 63 16 < L ≤ 63
△ X				L ≤ 4 4 < L ≤ 16
				ANGULAR ± 0.2
				± 0.5

REVISION	WEIGHT	REVISION	WEIGHT
A0	1.0g	1/1	1.0g

DATE	SCALE: N/A	DATE	SCALE: N/A

DATE	VIEW:	DATE	VIEW:

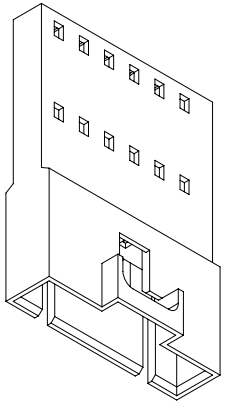
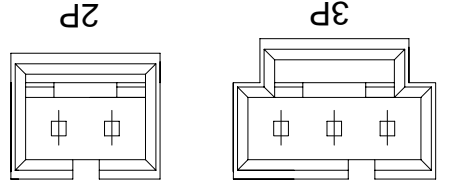
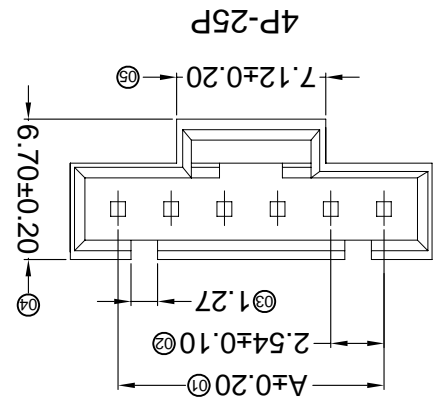
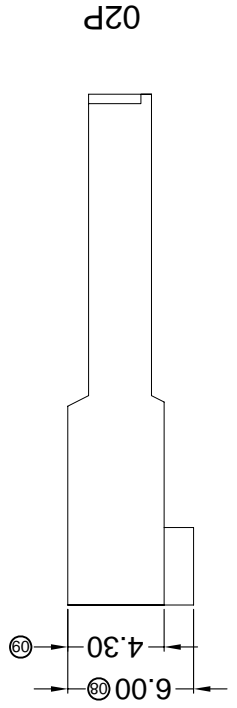
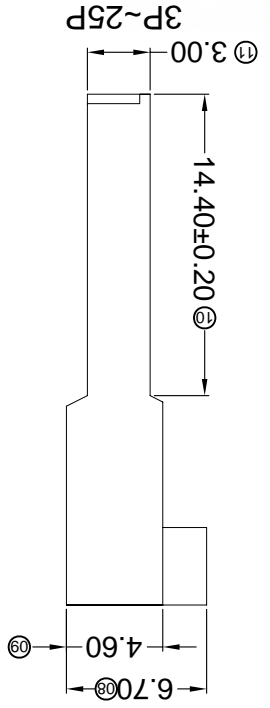
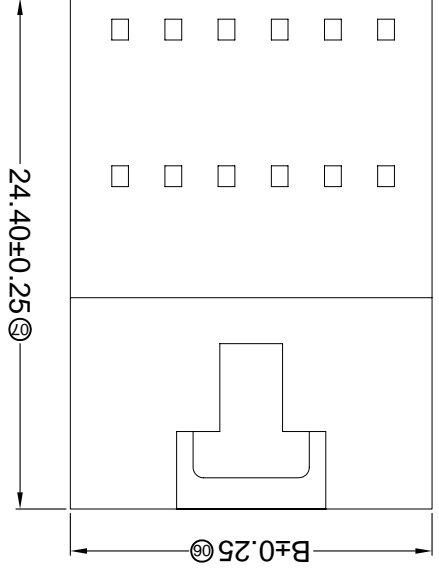
DATE	UNIT: mm	DATE	UNIT: mm

DATE	SIZE: A4	DATE	SIZE: A4

DATE	MODEL TYPE:	DATE	MODEL TYPE:
	X9556HF-XX-PT		X9556HF-XX-PT

DATE	PART NO.:	DATE	PART NO.:
	2.54mm Crimp Style Connectors		2.54mm Crimp Style Connectors

DATE	DWG NO.:	DATE	DWG NO.:



PART NO	Material	Suitable XKB Terminal	Suitable XKB Terminal
X9556HF-XX-PT	PBT UL 94V-0	X9556TM	X9556H

Poles	Dimensions (mm)		Poles	Dimensions (mm)	
	A	B		A	B
02	2.54	7.12	10	22.86	27.44
03	5.08	9.66	11	25.40	29.98
04	7.62	12.20	12	27.94	32.52
05	10.16	14.74	13	30.48	35.06
06	12.70	17.28	14	33.02	37.60
07	15.24	19.82	15	35.56	40.14
08	17.78	22.36	16	38.10	42.68
09	20.32	24.90	17	40.64	45.22

- ① Series No.
- ② Category: H-HSG
- ③ Welding Board Angle: F-Female HGS
- ④ Row No.-Pin No.: XX-Single row
- ⑤ Special No.
- ⑥ Material: PT-PBT 94V-0
- ⑦ Color: Blank-Natural Color

- Specifications :**
- Voltage rating: 250V AC / DC
 - Current rating: 3A AC / DC
 - Withstanding voltage: 1500V AC/minute
 - Temperature range: -25°C~+85°C
 - Insulation resistance: ≥1000MΩ
 - Contact resistance: ≤20mΩ
 - After environmental testing: ≤30mΩ

X9556 H F-XX X-PT XX

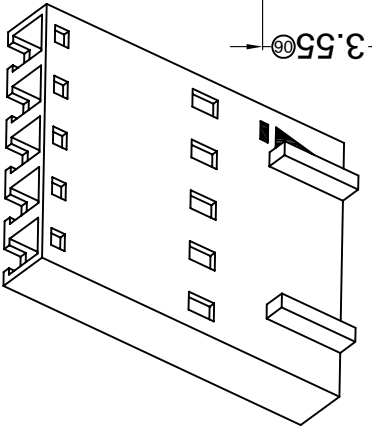
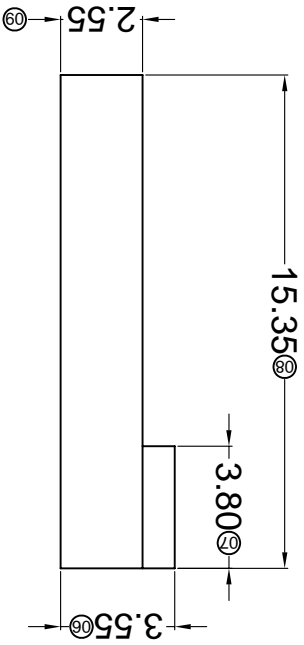
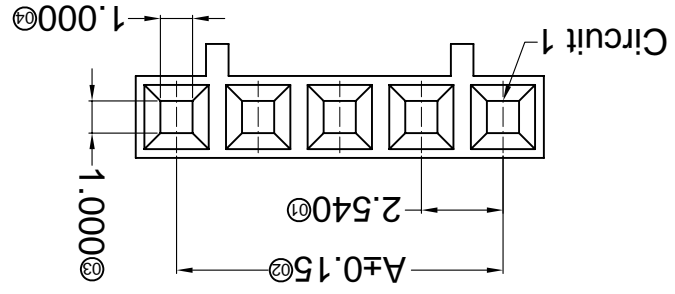
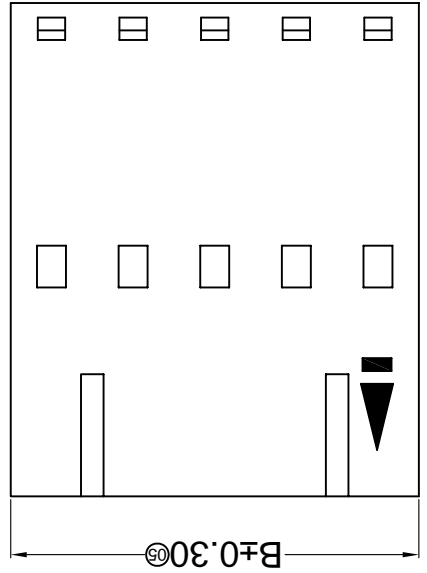
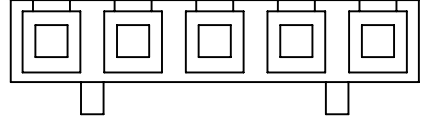
- ①
- ②
- ③
- ④
- ⑤
- ⑥
- ⑦

For and on behalf of
KKB INDUSTRIAL PRECISION CO., LIMITED
 香港星坤工業精密有限公司
 Authorized Signature(s)

MARK	DESCRIPTION	DATE	REVISD	APPROVED	UNSPECIFIED TOLERANCES
△ X					L > 63 ± 0.5
△ X					16 < L ≤ 63 ± 0.4
△ X					4 < L ≤ 16 ± 0.3
					L ≤ 4 ± 0.2
					ANGULAR ± 5°

REVISION	SHEET	WEIGHT	SIZE	DATE	DATE	DATE	DATE
A0	1/1	1.0g	A4				

DSND	SCALE: N/A	MODEL TYPE: X9556H-XXA-N0
DWN	VIEW:	PART NO.: 2.54mm Crimp Style Connectors
CHKD	UNIT: mm	DWG NO.:
APPD	DATE	DATE



Poles	Dimensions (mm)	
	A	B
02	2.54	5.08
03	5.08	7.62
04	7.62	10.16
05	10.16	12.70
06	12.70	15.24
07	15.24	17.78
08	17.78	20.32

PART NO	Material	Suitable XKB Terminal	Suitable XKB Terminal
X9556H-XXA-N0	PA66 UL 94V-0	X9556T	X9566W

- ① Series No.
- ② Category: H-HSG
- ③ Appearance type: Blank-Ordinary
- ④ Row No.-Pin No.: XX-02P-15P
- ⑤ Plug the Pin & special No.:
- ⑥ A-There are convex point
- ⑦ Material: NO-PA66 UL 94V-0
- ⑧ Color: Blank-Natural Color

X9556 H X-XX A-N0 XX

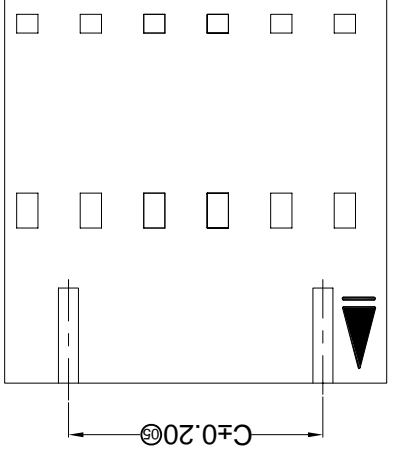
- Specifications :
- Voltage rating: 250V AC / DC
 - Current rating: 3A AC / DC
 - Withstanding voltage: 1500V AC/minute
 - Temperature range: -25°C~+85°C
 - Insulation resistance: ≥1000MΩ
 - Contact resistance: ≤20mΩ
 - After environmental testing: ≤30mΩ

For and on behalf of
KXB INDUSTRIAL PRECISION CO., LIMITED
 香港星坤工業精密有限公司

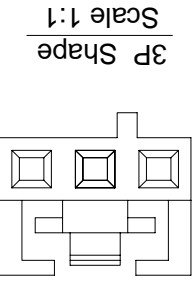
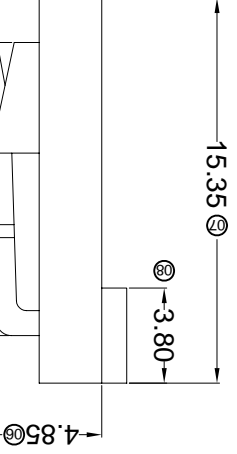
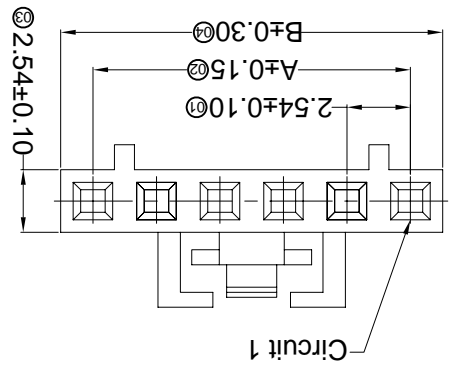
REVISIONS
 Authorized Signature(s)

MARK	DESCRIPTION	DATE	REVISED	APPROVED	UNSPECIFIED TOLERANCES
△ X					L > 63 ± 0.5
△ X					16 < L ≤ 63 ± 0.4
△ X					4 < L ≤ 16 ± 0.3
					L ≤ 4 ± 0.2
					ANGULAR ± 5°

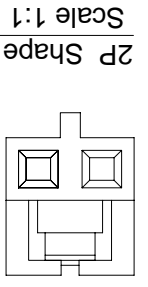
DSND	DATE	SCALE: N/A	MODEL TYPE: X9556H-XXB-N0XX
DWN	DATE <td>VIEW: </td> <td>PART NO.: </td>	VIEW:	PART NO.:
CHKD	DATE <td>UNIT: mm</td> <td>DWG NO.:</td>	UNIT: mm	DWG NO.:
APPD	DATE <td>SIZE: A4</td> <td>WEIGHT 1.0g</td>	SIZE: A4	WEIGHT 1.0g
			SHEET 1/1
			REVISION A0



4P~20P Shape
 Scale 1:1



3P Shape
 Scale 1:1

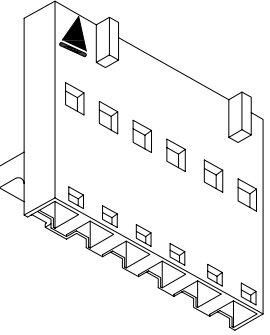


2P Shape
 Scale 1:1

PART NO	Material	Suitable XkB Terminal
X9556H-XXB-N0HF	Nylon 66 UL 94V-0 Halogen Free	X9556T
X9556H-XXB-N0	Nylon 66 UL 94V-0	Suitable XkB Terminal

Poles	Dimensions(mm)		
	A	B	C
02	2.54	5.08	--
03	5.08	7.62	--
04	7.62	10.16	5.08
05	10.16	12.70	7.62
06	12.70	15.24	10.16
07	15.24	17.78	12.70
08	17.78	20.32	15.24
09	20.32	22.86	17.78
10	22.86	25.40	20.32
11	25.40	27.94	22.86

- Specifications :
- Voltage rating: 250V AC / DC
 - Current rating: 3A AC / DC
 - Withstanding voltage: 1500V AC/minute
 - Temperature range: -25°C~+85°C
 - Insulation resistance: ≥1000MΩ
 - Contact resistance: ≤20mΩ
 - After environmental testing: ≤30mΩ
- X9556 H X-XX B-N0 XX
- ① ② ③ ④ ⑤ ⑥ ⑦
 - ⑧ Series No.
 - ⑨ Category: H-HSG
 - ⑩ Welding Board Angle: Blank-ordinary
 - ⑪ Row No.-Pin No.:XX-Single row
 - ⑫ Special No.
 - ⑬ B-There are convex point and the buckle
 - ⑭ Material: N0-PA66 94V-0
 - ⑮ Color:
 - ⑯ Blank-Natural Color
 - ⑰ HF-Halogen free

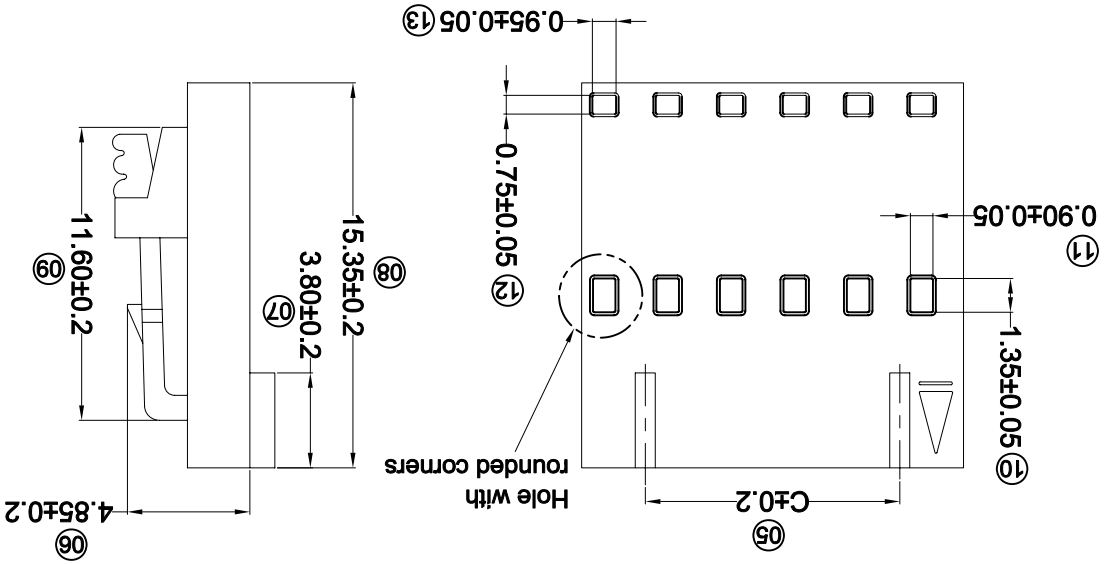


For and on behalf of
KXB INDUSTRIAL PRECISION CO., LIMITED
 香港星坤工業精密有限公司

REVISIONS		DATE	REVISED	APPROVED	UNSPECIFIED TOLERANCES
△ X	DESCRIPTION				L > 63 ± 0.5
△ X					16 < L ≤ 63 ± 0.4
△ X					4 < L ≤ 16 ± 0.3
					L ≤ 4 ± 0.2
					ANGULAR ± 5°

MARK	DATE	APPROVED	REVISED	APPROVED	UNSPECIFIED TOLERANCES
△ X					L > 63 ± 0.5
△ X					16 < L ≤ 63 ± 0.4
△ X					4 < L ≤ 16 ± 0.3
					L ≤ 4 ± 0.2
					ANGULAR ± 5°

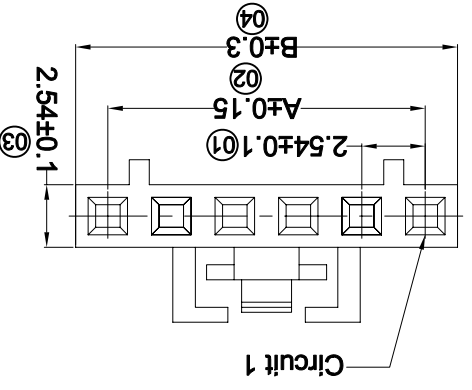
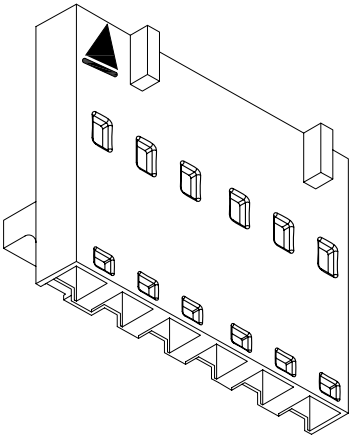
DSND	DATE	SCALE: N/A	MODEL TYPE: X9556H-XXC-N0XX
DWN	DATE	VIEW:	PART NO.: 2.54 mm Crimp Style Connectors
CHKD	DATE	UNIT: mm	DWG NO.:
APPD	DATE	SIZE: A4	



- X9556 H X-XX C-N0 XX**
- ① Series No.
 - ② Category: H-HSG
 - ③ Welding Board Angle:
 - ④ Row No.-Pin No.:
 - ⑤ Blank-ordinary
 - ⑥ XX-Single row
 - ⑦ special No.
 - ⑧ C-Hole with rounded corners
 - ⑨ Material: N0-PA66 94V-0
 - ⑩ Color: Blank-Natural Color
 - ⑪ HF-Halogen free

Poles	A	B	C
2	2.54	5.08	-
3	5.08	7.62	2.54
4	7.62	10.16	5.08
5	10.16	12.70	7.62
6	12.70	15.24	10.16
7	15.24	17.78	12.70
8	17.78	20.32	15.24
9	20.32	22.86	17.78
10	22.86	25.40	20.32
11	25.40	27.94	22.86
12	27.94	30.48	25.40
13	30.48	33.02	27.94
14	33.02	35.56	30.48
15	35.56	38.10	33.02
16	38.10	40.64	35.56
17	40.64	43.18	38.10
18	43.18	45.72	40.64
19	45.72	48.26	43.18
20	48.26	50.80	45.72

- Specifications :**
- Voltage rating: 250V AC / DC
 - Current rating: 3A AC / DC
 - Withstanding voltage: 1500V AC/minute
 - Temperature range: -25°C~+85°C
 - Insulation resistance: ≥1000MΩ
 - Contact resistance: ≤20mΩ
 - After environmental testing: ≤30mΩ

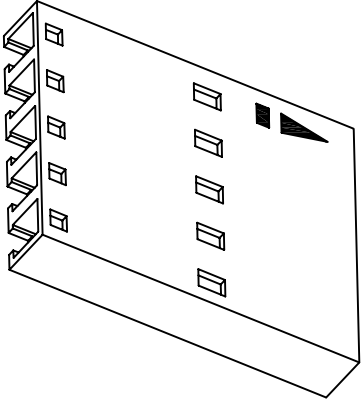
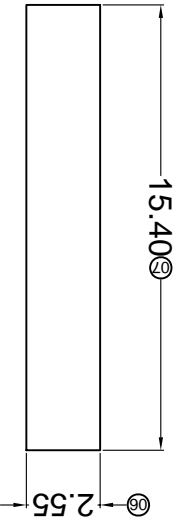
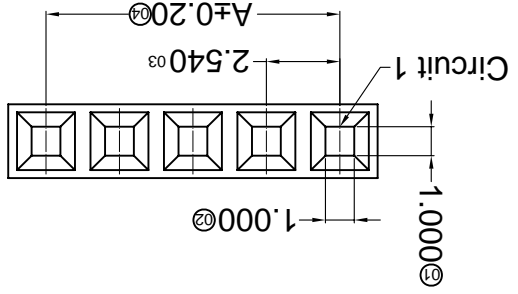
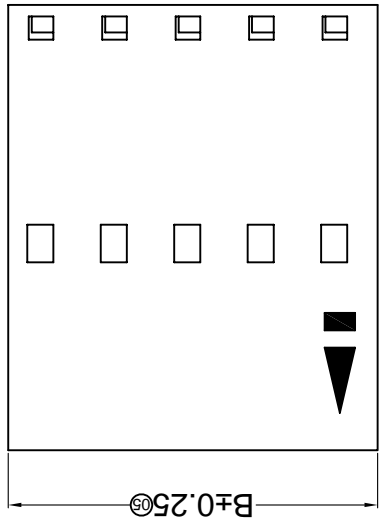
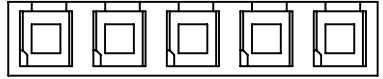


For and on behalf of
 XKB INDUSTRIAL PRECISION CO., LIMITED
 香港星坤工業精密有限公司

REMISSIONS
 Authorized Signature(s)

MARK	DESCRIPTION	DATE	REVISD	APPROVED	UNSPECIFIED TOLERANCES
△ X					L > 63 ± 0.5
△ X					16 < L ≤ 63 ± 0.4
△ X					4 < L ≤ 16 ± 0.3
					L ≤ 4 ± 0.2
					ANGULAR ± 5°

DSND	DATE	SCALE: N/A	MODEL TYPE: X9556H-XX-N0
DWN	DATE	VIEW:	PART NO.:
CHKD	DATE	UNIT: mm	DWG NO.:
APPD	DATE	SIZE: A4	WEIGHT: 1.0g
			REVISION SHEET 1/1
			A0



Poles	Dimensions (mm)	
	A	B
02	2.54	5.15
03	5.08	7.69
04	7.62	10.23
05	10.16	12.77
06	12.70	15.31
07	15.24	17.85
08	17.78	20.39
Dimensions (mm)		Poles
A	B	09
22.93	20.32	10
25.47	22.86	11
28.01	25.40	12
30.55	27.94	13
33.09	30.48	14
35.63	33.02	15
38.17	35.56	

PART NO	Material	Suitable XKB Terminal	Suitable XKB Terminal
X9556H-XX-N0	PA66 UL 94V-0	X9556T	X9556W

- ① Series No.
- ② Category: H-HSG
- ③ Appearance type: Blank-Ordinary
- ④ Row No.-Pin No.: XX-02P~15P
- ⑤ Plug the Pin & special No.:
- ⑥ Material: NO-PA66 UL 94V-0
- ⑦ Color: Blank-Natural Color

X9556 H X-XX X-N0 XX
 ① ② ③ ④ ⑤ ⑥ ⑦

- Specifications :
- Voltage rating: 250V AC / DC
- Current rating: 3A AC / DC
- Withstanding voltage: 1500V AC/minute
- Temperature range: -25°C~+85°C
- Insulation resistance: ≥1000MΩ
- Contact resistance: ≤20mΩ
- After environmental testing: ≤30mΩ

For and on behalf of
XKB INDUSTRIAL PRECISION CO., LIMITED
 香港星洲工業精密有限公司

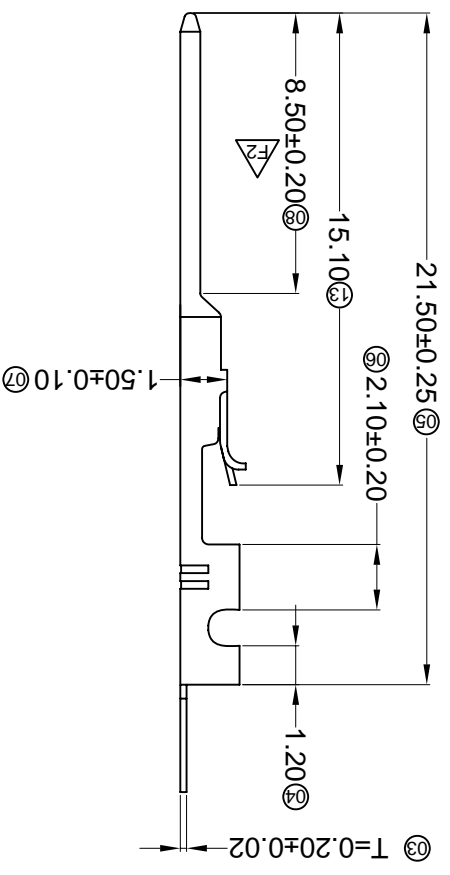
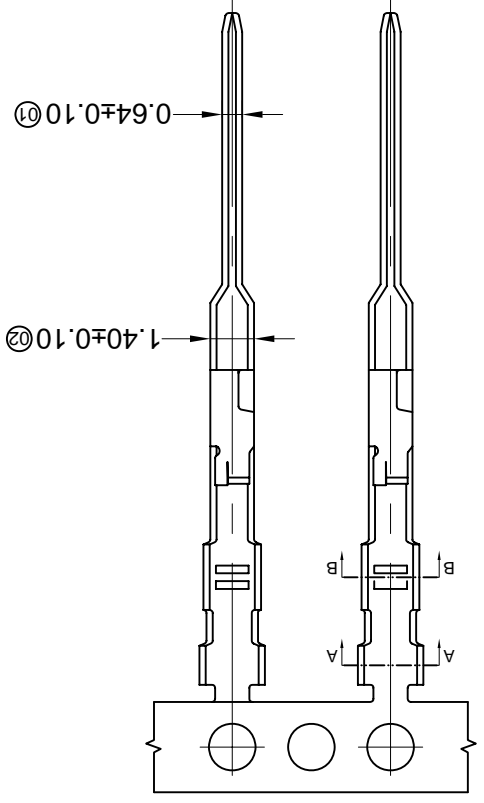
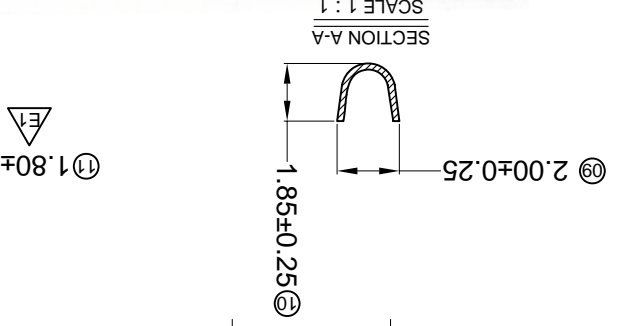
REVISIONS
 Authorized Signature(s)

MARK	DESCRIPTION	DATE	REVISED	APPROVED	UNSPECIFIED TOLERANCES
△ X					± 5°
△ X					ANGULAR
△ X					L ≤ 4
					± 0.2
					L ≤ 16
					± 0.4
					16 < L ≤ 63
					± 0.5
					L > 63

REVISION	SHEET	WEIGHT	DATE	DATE	DATE	DATE	DATE	DATE
A0	1/1	1.0g						

MODEL TYPE:	SCALE: N/A	DATE:	DWNTM-PG01
X9556TM-PXXX			
PART NO.:	VIEW:	DATE:	CHKDM-P-SN
2.54 mm Crimp Style Connectors			
DWG NO.:	UNIT: mm	DATE:	APPD
SIZE: A4			

PART NO	Material	Wire Range	Insulation O.D	Finish	Suitable XKB
X9556TM-PG01	Phosphor Bronze	AWG#22-26	1.63mm(Max)	Stamping Before Plating:30u" Ni;Contact Area Gold Flash	X9556HF
X9556TM-P-SN				Stamping Before Plating:30u" Ni;70u"Sn	
				Stamping Before Plating:30u" Ni;70u"Sn	



- X9556 T M-P XX X-X
- ① Series Number
 - ② Category: T-terminal
 - ③ Shape: M-male
 - ④ Material: P-Phosphor bronze
 - ⑤ Plating style: G01-Gold Plated Contact
 - ⑥ Plating method: SN-Bright tin plating
 - ⑦ Blank-Stamping before plating
 - ⑧ Mold No./Mark/Special No.

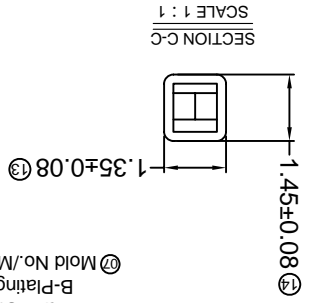
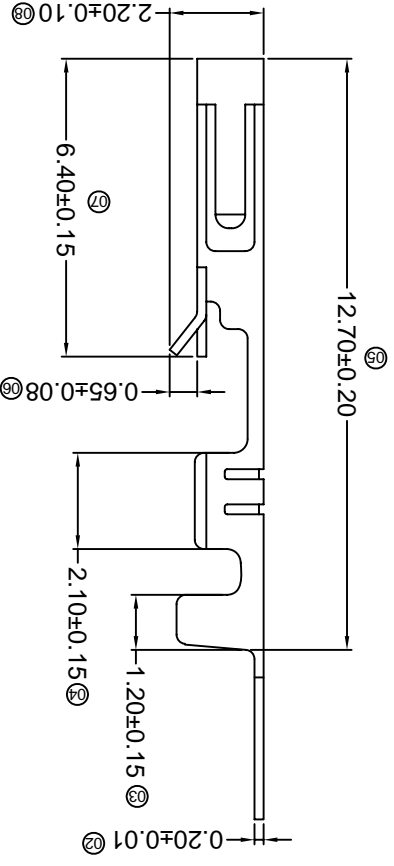
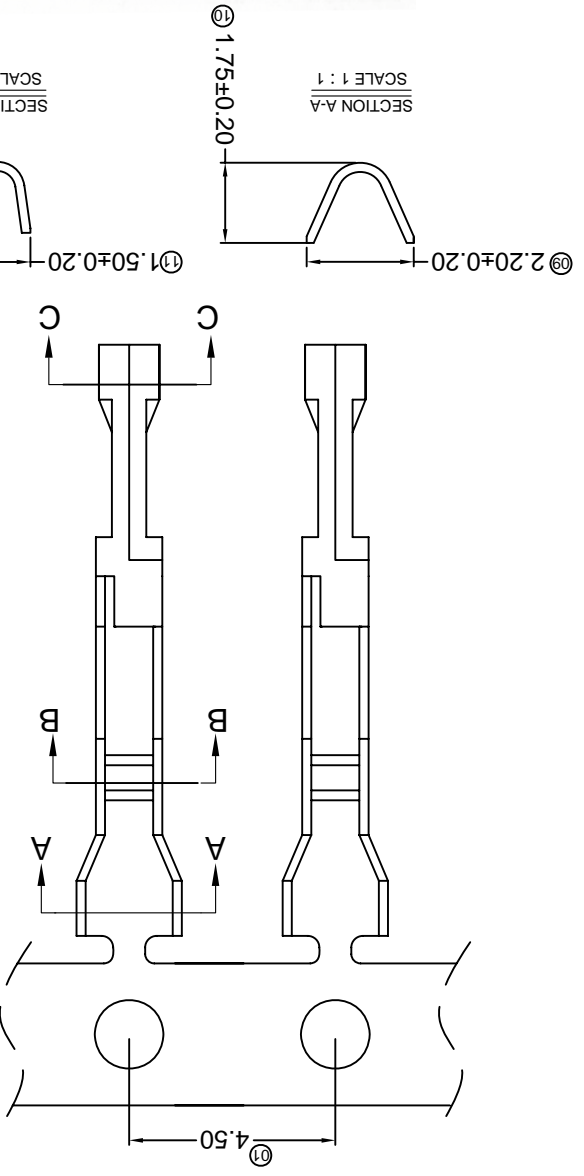
- Specifications :
- Voltage rating: 250V AC / DC
 - Current rating: 3A AC / DC
 - Withstanding voltage: 1500V AC/minute
 - Temperature range: -25°C~+85°C
 - Insulation resistance: ≥1000MΩ
 - Contact resistance: ≤20mΩ
 - After environmental testing: ≤30mΩ

For and on behalf of
XKB INDUSTRIAL PRECISION CO., LIMITED
 香港星坤工業精密有限公司

REVISIONS
 Authorized Signature(s)

MARK	DESCRIPTION	DATE	REVISED	APPROVED	UNSPECIFIED TOLERANCES
△ X					L > 63 ± 0.5
△ X					16 < L ≤ 63 ± 0.4
△ X					4 < L ≤ 16 ± 0.3
					L ≤ 4 ± 0.2
					ANGULAR ± 5°

DSND	DATE	SCALE: N/A	MODEL TYPE: X9556T-XX
DWN	DATE <td>VIEW: </td> <td>PART NO.:</td>	VIEW:	PART NO.:
CHKD	DATE <td>UNIT: mm</td> <td>DWG NO.:</td>	UNIT: mm	DWG NO.:
APPD	DATE <td>SIZE: A4</td> <td>WEIGHT: 1.0g</td>	SIZE: A4	WEIGHT: 1.0g
			SHEET: 1/1
			REVISION: A0



- ① Series Number
 ② Category: T-terminal
 ③ Shape: Blank-ordinary
 ④ Material: P-Phosphor bronze ; B-brass
 ⑤ Plating style: G**-Gold-Plated Contact
 *01-Gold Flash ;
 *15-15u"
 SN-Bright tin plating 70-120u"
 ⑥ No plating material
 ⑦ Plating method:
 Blank-Stamping before plating
 B-Plating before stamping
 ⑧ Mold No./Mark/Special No.

X9556 T XX - X XX X - X
 ① ② ③ ④ ⑤ ⑥ ⑦

- Specifications :
- Voltage rating: 250V AC / DC
 - Current rating: 3A AC / DC
 - Withstanding voltage: 1500V AC/minute
 - Temperature range: -25°C~+85°C
 - Insulation resistance: ≥1000MΩ
 - Contact resistance: ≤20mΩ
 - After environmental testing : ≤30mΩ

For and on behalf of
XKB INDUSTRIAL PRECISION CO., LIMITED
 香港星洲工業精密有限公司

MARK	DESCRIPTION	DATE	REVISD	APPROVED	UNSPECIFIED TOLERANCES
△ X					L > 63 ± 0.5
△ X					16 < L ≤ 63 ± 0.4
△ X					4 < L ≤ 16 ± 0.3
					L ≤ 4 ± 0.2
					ANGULAR ± 5°

REVISIONS	XKB INDUSTRIAL PRECISION CO., LIMITED	
REVISION	WEIGHT	1.0g
SHEET		1/1
A0		

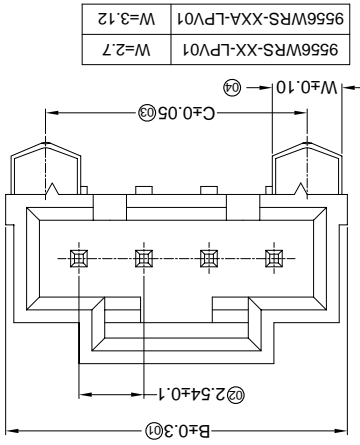
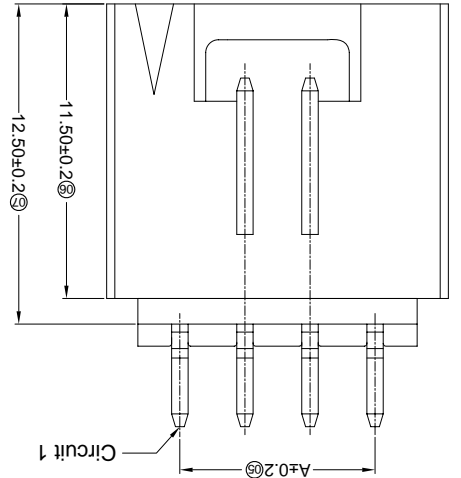
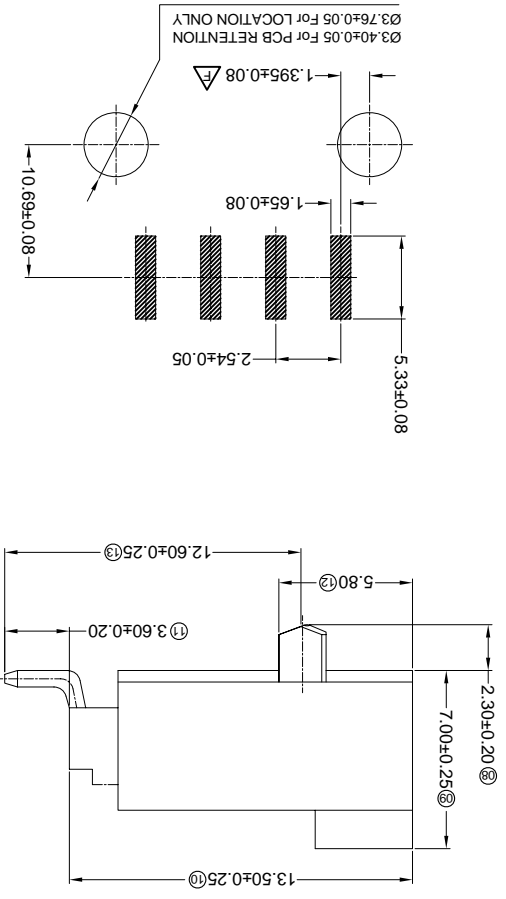
DATE	SCALE: N/A	MODEL TYPE: X9556WRS-XXX-XXXX
DNSD	DATE	
DWN	DATE	
CHKD	DATE	
APPD	DATE	
	SIZE: A4	DWG NO.:
	UNIT: mm	2.54 mm Crimp Style Connectors
	VIEW:	PART NO.:
		X9556WRS-XXX-XXXX

Poles	Dimensions (mm)			Poles	Dimensions (mm)		
	A	B	C		A	B	C
07	15.24	21.59	18.03				
06	12.70	19.05	15.49	12	27.94	34.29	
05	10.16	16.51	12.95	11	25.40	31.75	
04	7.62	13.97	10.41	10	22.86	29.21	
03	5.08	11.43	7.87	09	20.32	26.67	
02	2.54	8.89	5.33	08	17.78	24.13	

PART NO	Material	Material(Pin)	Finish(Pin)	Suitable XKB Terminal
X9556WRS-XXX-LPV01	LCP UL 94V-0	Brass	Gold-Flash	X9556H
X9556WRS-XXX-LPSW	LCP UL 94V-0		Mate tin	
X9556WRS-XXX-4TSW	Nylon 4T 94V-0			

- **Specifications :**
- Voltage rating: 250V AC / DC
 - Current rating: 3A AC / DC
 - Withstanding voltage: 1500V AC/minute
 - Temperature range: -40°C~+105°C
 - Insulation resistance: ≥1000M^Ω/E
 - Contact resistance: ≤20m^Ω/E
 - After environmental testing: ≤30m^Ω/E
- ① Series No.
 ② Category: W-water
 ③ Welding Board Angle: R-90°
 ④ Welding Way: S-SMT
 ⑤ Row No.-Pin No.: XX-Single row
 ⑥ Special NO. Blank: W=2.7 A: W=3.12
 ⑦ Material: LP-LCP 94V-0 4T-Nylon 4T 94V-0
 ⑧ Plating Category:
 V**:All Gold-Plated *01-Gold Flash
 SW-Matte Tin plating
 ⑨ Color:
 Blank-Natural Color Black

Recommand PCB Layout



9556WRS-XX-LPV01	W=2.7
9556WRS-XX-A-LPV01	W=3.12

MARK	DESCRIPTION	DATE	REVISD	APPROVED	UNSPECIFIED TOLERANCES
△ X					L > 63
△ X					16 < L ≤ 63
△ X					4 < L ≤ 16
△ X					L ≤ 4
					ANGULAR
					± 5°

For and on behalf of
KXB INDUSTRIAL PRECISION CO., LIMITED
 香港星坤工業精密有限公司

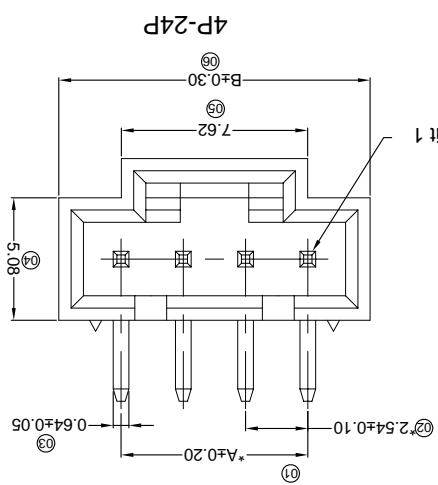
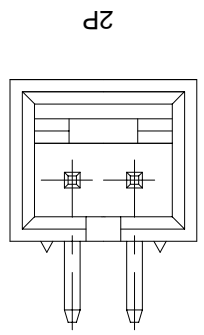
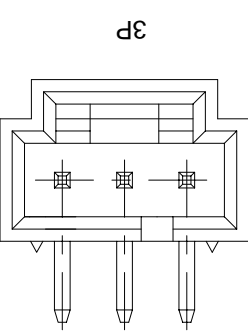
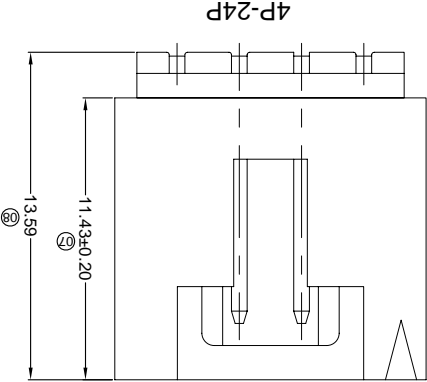
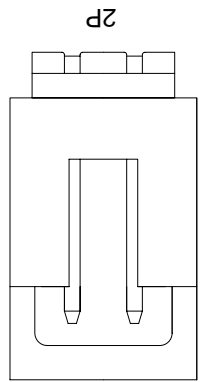
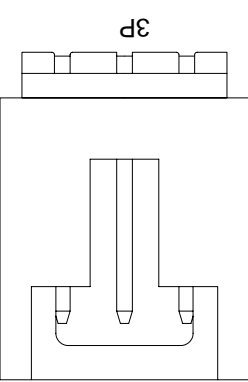
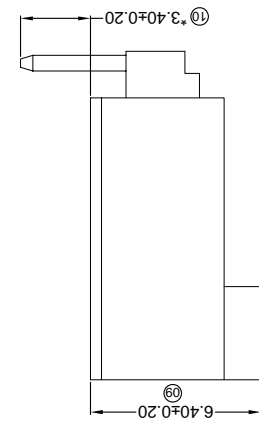
REVISIONS
 Authorized Signature(s)

DSND	DATE	SCALE: N/A	MODEL TYPE: X9556WR-XX-NOV01
DWN	DATE <td>VIEW: </td> <td>PART NO.: 2.54 mm Crimp Style Connectors</td>	VIEW:	PART NO.: 2.54 mm Crimp Style Connectors
CHKD	DATE <td>UNIT: mm</td> <td>DWG NO.:</td>	UNIT: mm	DWG NO.:
APPD	DATE <td>SIZE: A4</td> <td>WEIGHT: 1.0g</td>	SIZE: A4	WEIGHT: 1.0g

PART NO	Material	Material(Pin)	Finish(Pin)	Suitable XKB Terminal
X9556WR-XX-NOV01	Nylon 66 UL 94V-0	Brass	Gold-Flash	X9556H

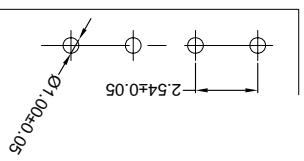
Dimensions (mm)	A	B	2	2.54	7.62	5.08	10.16	12.70	15.24	17.78	20.32	7	15.24	17.78	22.86	8	20.32	25.40	30.48	11	25.40	30.48	12	27.94	33.02	13	30.48	35.56	14	33.02	38.10	15	35.56	40.64	16	38.10	43.18	17	40.64	45.72	18	43.18	48.26	19	45.72	50.80	20	48.26	53.34	21	50.80	55.88	22	53.34	58.42	23	55.88	60.96	24	58.42	63.50
Poles	A	B	2	2.54	7.62	5.08	10.16	12.70	15.24	17.78	20.32	7	15.24	17.78	22.86	8	20.32	25.40	30.48	11	25.40	30.48	12	27.94	33.02	13	30.48	35.56	14	33.02	38.10	15	35.56	40.64	16	38.10	43.18	17	40.64	45.72	18	43.18	48.26	19	45.72	50.80	20	48.26	53.34	21	50.80	55.88	22	53.34	58.42	23	55.88	60.96	24	58.42	63.50

X9556 W R XX-XX X-NOV01 XX
 ① Series No.
 ② Category: W-water
 ③ Welding Board Angle: R-90°
 ④ Welding Way: Blank-DIP
 ⑤ Row No.-Pin No. XX-Single row
 ⑥ Special NO. 9
 ⑦ Material: NO-P466 94V-0
 ⑧ Plating Category: V-All Gold-Plated
 ⑨ ①1-1μ" : ①2-2μ" : ①3-3μ" : ①5-5μ"
 ①0-10μ" : ①15-15μ" : ①30-30μ" : ①50-50μ"
 ①1 SN-Bright tin plating 70U"
 ①2 SN1-Bright tin plating 120U"Min.
 ①3 SW-Fog Tin plating
 ①4 Color: Blank-natural color

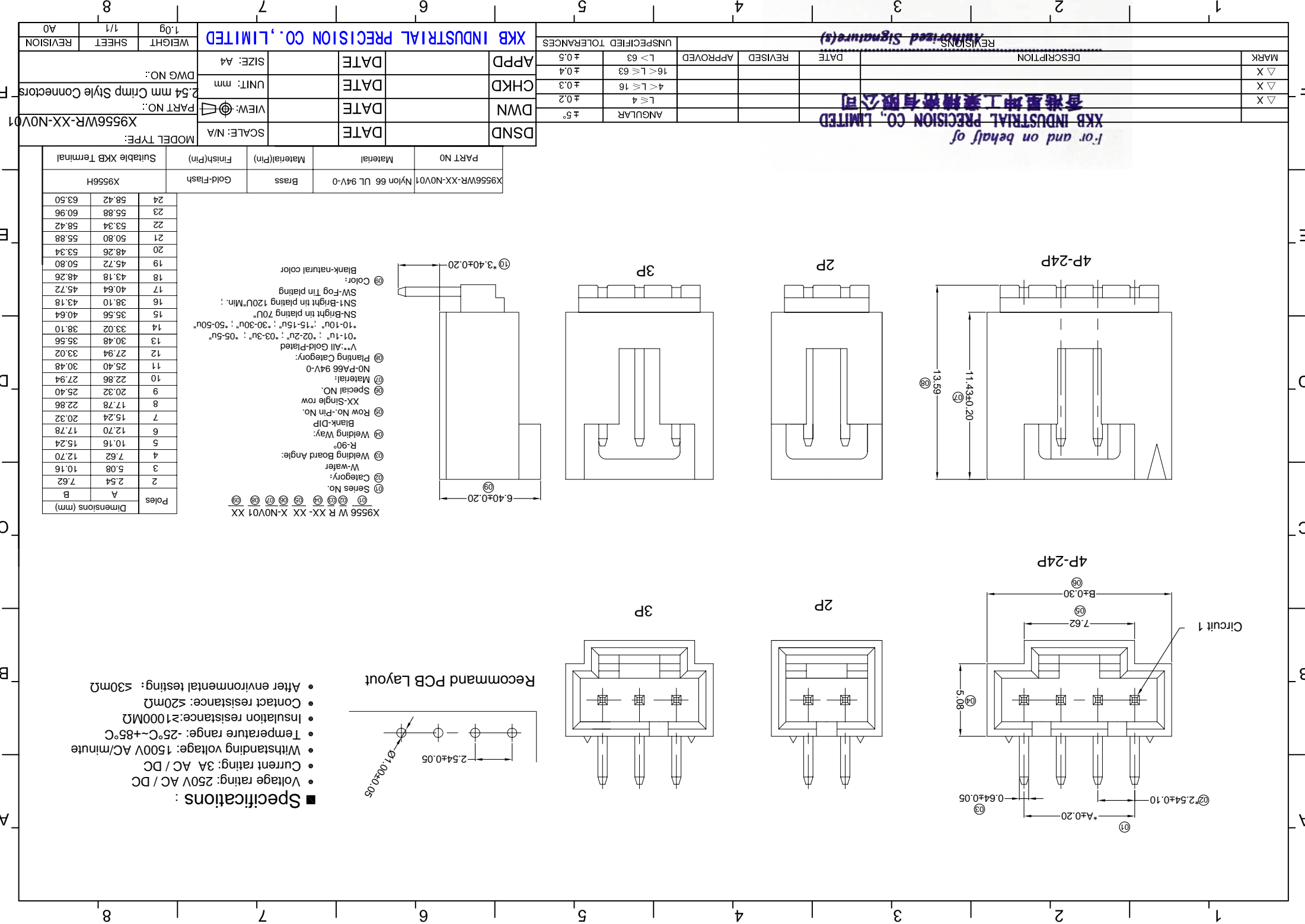


Circuit 1

Recommand PCB Layout



- Specifications :
- Voltage rating: 250V AC / DC
- Current rating: 3A AC / DC
- Withstanding voltage: 1500V AC/minute
- Temperature range: -25°C~+85°C
- Insulation resistance: ≥1000MΩ
- Contact resistance: ≤20mΩ
- After environmental testing: ≤30mΩ



For and on behalf of
KXB INDUSTRIAL PRECISION CO., LIMITED
 香港星坤工業精密有限公司

REVISIONS
 (Unauthorized Signatures)

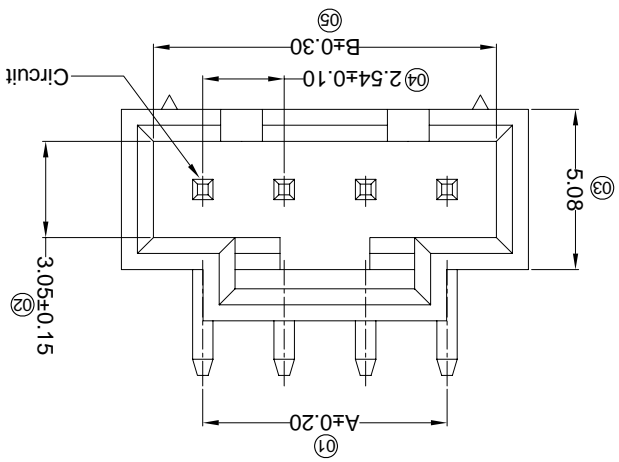
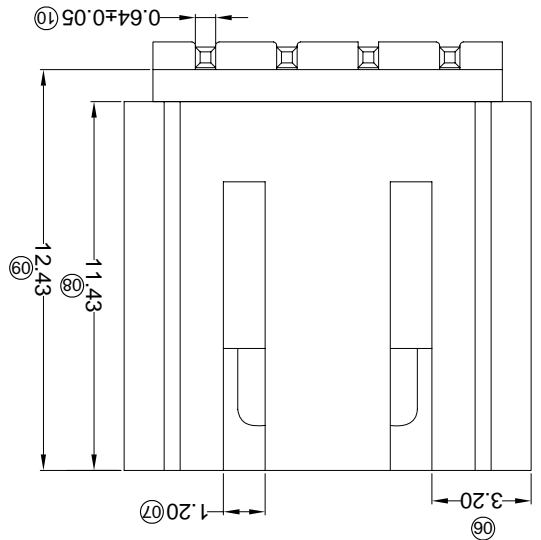
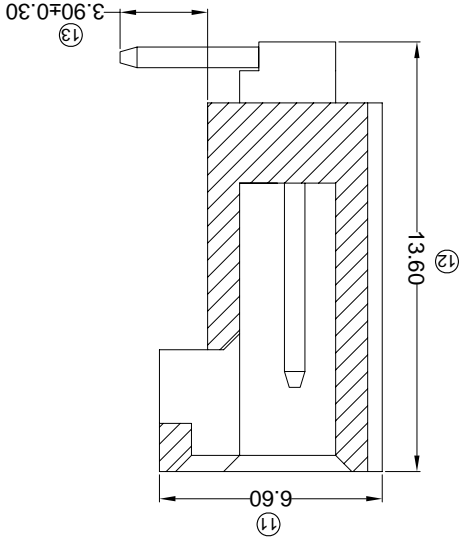
MARK	DESCRIPTION	DATE	REVISED	APPROVED	UNSPECIFIED TOLERANCES
△ X					L > 63 ± 0.5
△ X					16 < L ≤ 63 ± 0.4
△ X					4 < L ≤ 16 ± 0.3
△ X					L ≤ 4 ± 0.2
					ANGULAR ± 5°

REVISION	SHEET	WEIGHT	DATE	DATE	DATE	DATE	DATE	DATE	DATE
A0	1/1	1.0g							

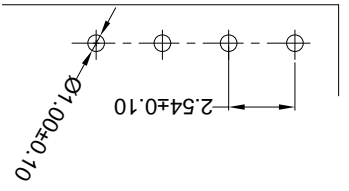
DSND	DWN	CHKD	APPD	PART NO	Material	Material(Pin)	Finish(Pin)	Part NO	Material	Material(Pin)	Finish(Pin)	Suitable XKB Terminal
				X9556WR-XXRB-NOV01	Nylon 66 UL 94V-0	Brass	Gold-Flash	X9556H				

Poles	A	B	Dimensions (mm)
2	2.54	5.59	
3	5.08	8.13	
4	7.62	10.67	
5	10.16	13.21	
6	12.70	15.75	
7	15.24	18.29	
8	17.78	20.83	
9	20.32	23.37	
10	22.86	25.91	
11	25.40	28.45	
12	27.94	30.99	
13	30.48	33.53	
14	33.02	36.07	
15	35.56	38.61	

- ① Series No. X9556 W R XX-XXRB-NOV01 XX
 ② Category: W-water
 ③ Welding Board Angle: R-90°
 ④ Welding Way: Blank-DIP
 ⑤ Row No.-Pin No. XX-Single row
 ⑥ Special NO. RB-Reverse bending
 ⑦ Material: N0-PA66 94V-0
 ⑧ Plating Category: V**All Gold-Plated
 *01-Gold Flash: *02-2u"; *03-3u"; *05-5u"
 *10-10u"; *15-15u"; *30-30u"; *50-50u"
 SN-Bright tin plating 70u"
 SN-Bright tin plating 120u" Min.
 SW-Fog Tin plating
 ⑨ Color: Blank-natural color



Recommend PCB Layout



- **Specifications:**
- Voltage rating: 250V AC / DC
 - Current rating: 3A AC / DC
 - Withstanding voltage: 1500V AC/minute
 - Temperature range: -25°C~+85°C
 - Insulation resistance: ≥1000MΩ
 - Contact resistance: ≤20mΩ
 - After environmental testing: ≤30mΩ

REVISIONS		UNSPECIFIED TOLERANCES	
MARK	DESCRIPTION	APPROVED	DATE
△ X			
△ X			
△ X			

REVISIONS
Authorized Signature(s)

For and on behalf of
KKB INDUSTRIAL PRECISION CO., LIMITED
 香港星坤工業精密有限公司

REVISIONS		UNSPECIFIED TOLERANCES	
MARK	DESCRIPTION	APPROVED	DATE
△ X			
△ X			
△ X			

DATE	DESCRIPTION	DATE	DESCRIPTION

DATE	DESCRIPTION	DATE	DESCRIPTION

DATE	DESCRIPTION	DATE	DESCRIPTION

DATE	DESCRIPTION	DATE	DESCRIPTION

DATE	DESCRIPTION	DATE	DESCRIPTION

DATE	DESCRIPTION	DATE	DESCRIPTION

DATE	DESCRIPTION	DATE	DESCRIPTION

DATE	DESCRIPTION	DATE	DESCRIPTION

PART NO	Material	Material(Pin)	Finish(Pin)	Suitable XKB Terminal
X9556WR-XXS-9TV01	Nylon 9T UL 94V-0	Brass	Gold-Flash	X9556H
X9556WR-XXSHF-9TV15	Nylon 9T UL 94V-0	Brass	Gold 15u"	X9556H

Dimensions (mm)	Poles
A	B
2.54	8.53
5.08	11.07
7.62	13.61
10.16	16.51
12.70	18.69
15.24	21.23
17.78	23.77
20.32	26.31
22.86	28.85
25.40	31.39
27.94	33.93

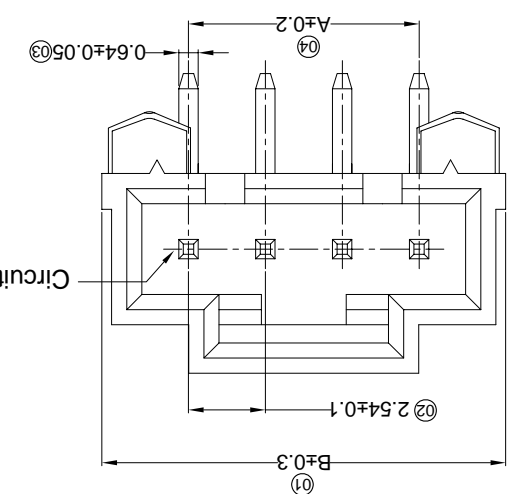
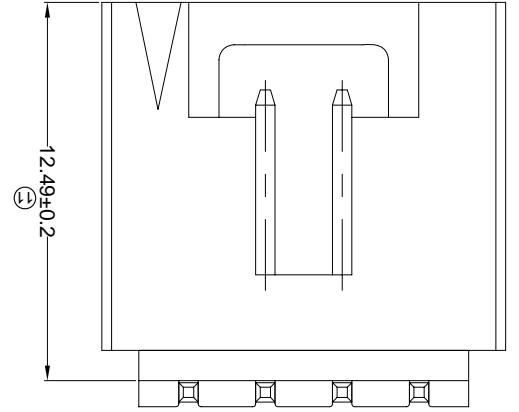
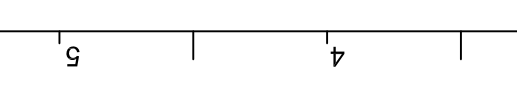
① Series No.
 ② Category:
 W-water
 ③ Welding Board Angle:
 R-90°
 ④ Welding Way:
 Blank-DIP
 ⑤ Row No.-Pin No.
 XX-Single row
 ⑥ Special NO.
 S-With positioning column : HF-Halogen Free
 ⑦ Material:
 9T-Nylon 9T 94V-0
 ⑧ Planting Category:
 V*:All Gold-Plated
 *01-Gold Flash : *02-2u" ; *03-3u" ; *05-5u"
 *10-10u" ; *15-15u" ; *30-30u" ; *50-50u"
 SN-Bright tin plating 70u"
 SN1-Bright tin plating 120u"Min. ;
 SW-Fog Tin plating
 ⑨ Color:
 Blank-natural color

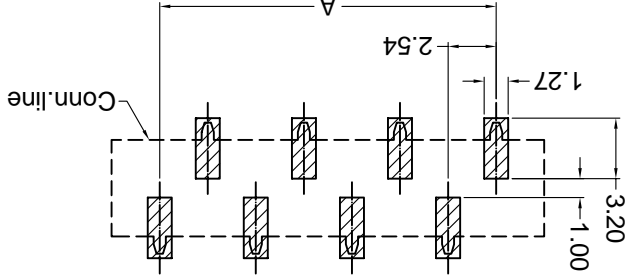
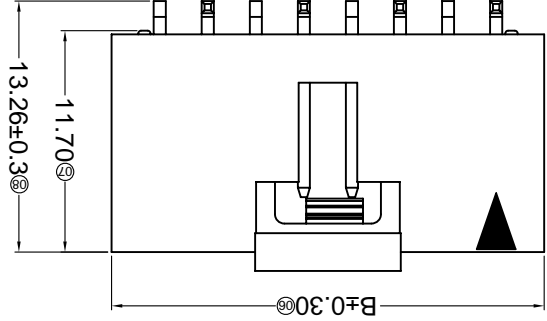
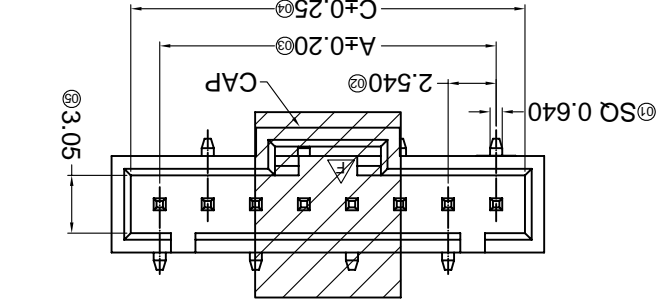
X9556 W R XX- XX S HF-9T VXX XX
 ① ② ③ ④ ⑤ ⑥ ⑦ ⑧ ⑨

- Voltage rating: 250V AC / DC
- Current rating: 3A AC / DC
- Withstanding voltage: 1500V AC/minute
- Temperature range: -25°C~+85°C
- Insulation resistance: ≥1000MΩ
- Contact resistance: ≤20mΩ
- After environmental testing : ≤30mΩ

Specifications :

Recommend PCB Layout



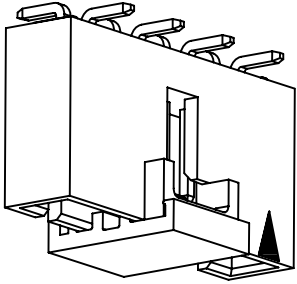
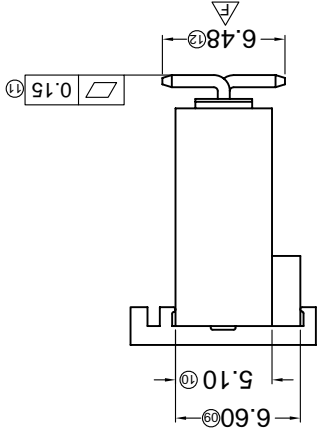


Recommended P.C.B Layout
General Tolerance±0.05

For and on behalf of
KKB INDUSTRIAL PRECISION CO., LIMITED
香港星坤工業精密有限公司

REVISIONS
Unauthorized Signature(s)

MARK	DESCRIPTION	DATE	REVISD	APPROVED	UNSPECIFIED TOLERANCES
△X					L > 63 ±0.5
△X					16 < L ≤ 63 ±0.4
△X					4 < L ≤ 16 ±0.3
					L ≤ 4 ±0.2
					ANGULAR ±5°



PART NO	Material	Material(Pin)	Finish(Pin)	Suitable XKB Terminal
X9556WVS-XX-4T1V01	PA 4T UL 94V-0	Brass	Gold-Flash	X9556H
X9556WVS-XX-4T5W	PA 4T UL 94V-0	Brass	Matte Tin	X9556H

Poles	Dimensions (mm)			Poles	Dimensions (mm)		
	A	B	C		A	B	C
02	2.54	7.62	5.59	12	27.94	33.02	30.99
03	5.08	10.16	8.13	13	30.48	35.56	33.53
04	7.62	12.70	10.67	14	33.02	38.10	36.07
05	10.16	15.24	13.21	15	35.56	40.64	38.61
06	12.70	17.78	15.75	16	38.10	43.18	41.15
07	15.24	20.32	18.29	17	40.64	45.72	43.69
08	17.78	22.86	20.83	18	43.18	48.26	46.23
09	20.32	25.40	23.37	19	45.72	50.80	48.77
10	22.86	27.94	25.91	20	48.26	53.34	51.31
11	25.40	30.48	28.45				

- ① Series No.
- ② Category: W-WAFER
- ③ Welding Board Angle: V-Straight 180°
- ④ Welding Way: S-SMT
- ⑤ Row No.-Pin No.: XX-02P~20P
- ⑥ Plug the Pin & Special No.:
- ⑦ Material: 4T -PA4T UL 94V-0
- ⑧ Plating Category: V01-Gold Flash
- ⑨ SW-Matte Tin Plating
- ⑩ Color : Blank-Natural Color Black

X9556 W V S-XX X-4T XX XX

- Specifications :
- Voltage rating: 250V AC / DC
- Current rating: 3A AC / DC
- Withstanding voltage: 1500V AC/minute
- Temperature range: -40°C~+105°C
- Insulation resistance: ≥1000MΩ
- Contact resistance: ≤20mΩ
- After environmental testing: ≤30mΩ

DSND	DATE	SCALE: N/A	MODEL TYPE: X9556WVS-XX-4TXX
DWN	DATE <td>VIEW: </td> <td>PART NO.:</td>	VIEW:	PART NO.:
CHKD	DATE <td>UNIT: mm</td> <td>DWG NO.:</td>	UNIT: mm	DWG NO.:
APPD	DATE <td>SIZE: A4</td> <td>REVISION</td>	SIZE: A4	REVISION

KKB INDUSTRIAL PRECISION CO., LIMITED

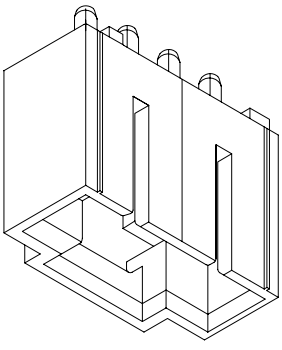
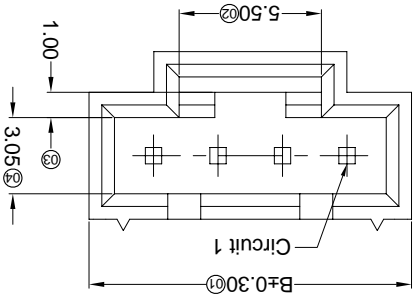
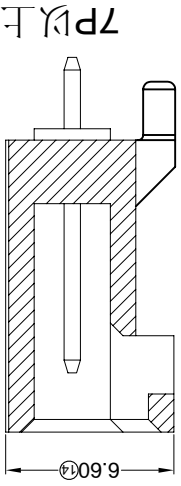
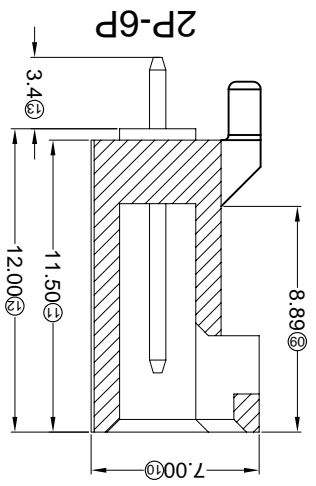
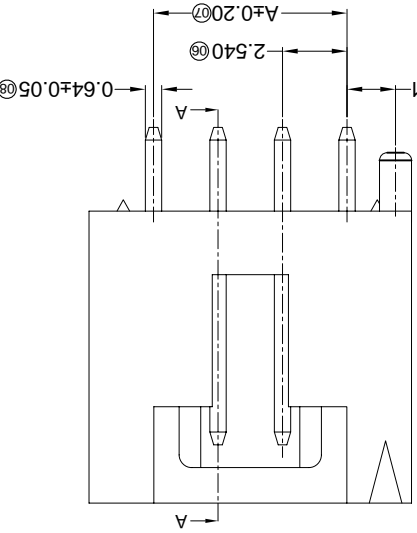
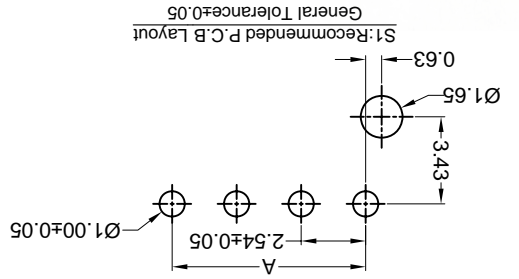
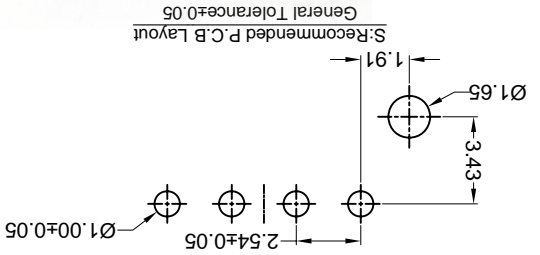
WEIGHT	SHEET	REVISION
1.0g	1/1	A0

For and on behalf of
KXB INDUSTRIAL PRECISION CO., LIMITED
 香港星坤工業精密有限公司

REVISIONS
 (Unauthorized Signature(s))

MARK	DESCRIPTION	DATE	REVISED	APPROVED	UNSPECIFIED TOLERANCES
△ X					L > 63 ± 0.5
△ X					16 < L ≤ 63 ± 0.4
△ X					4 < L ≤ 16 ± 0.3
					L ≤ 4 ± 0.2
					ANGULAR ± 5°

DSND	DATE	SCALE: N/A	MODEL TYPE: X9556WV-XXSX-LP01
DWN	DATE	VIEW:	PART NO.:
CHKD	DATE	UNIT: mm	DWG NO.:
APPD	DATE	SIZE: A4	REVISION
			WEIGHT 1.0g
			SHEET 1/1
			REVISION A0



SECTION A-A
 SCALE 1 : 1

PART NO	Material	Material(Pin)	Finish(Pin)	Suitable XKB Terminal
X9556WV-XXSX-LP01	LCP UL 94V-0	Brass	Gold-Flash	X9556H

Poles	Dimensions (mm)			
	A	B	A	B
2	2.54	7.62	33.02	38.10
3	5.08	10.16	35.56	40.64
4	7.62	12.70	38.10	43.18
5	10.16	15.24	40.64	45.72
6	12.70	17.78	43.18	48.26
7	15.24	20.32	45.72	50.80
8	17.78	22.86	48.26	53.34
9	20.32	25.40	50.80	55.88
10	22.86	27.94	53.34	58.42
11	25.40	30.48	55.88	60.96
12	27.94	33.02	58.42	63.50
13	30.48	35.56		

- ① Series No.
- ② Category: W-water
- ③ Welding Board Angle: V- Straight 180°
- ④ Welding Way: Blank-DIP
- ⑤ Row No.-Pin No.: XX-02P~24P
- ⑥ Plug the Pin & Special No.:
- ⑦ S-With Post,distance Pin 1.91mm;
- ⑧ S1-With Post ,distance Pin 0.63mm;
- ⑨ Material: LP-LCP 94V-0;
- ⑩ Planting Category: V01-Gold Flash;
- ⑪ Color: Blank-Natural Color

X9556 W V X-XX SX-LP XXX XX
 ① ② ③ ④ ⑤ ⑥ ⑦ ⑧ ⑨

- Voltage rating: 250V AC / DC
- Current rating: 3A AC / DC
- Withstanding voltage: 1500V AC/minute
- Temperature range: -25°C~+85°C
- Insulation resistance: ≥1000MΩ
- Contact resistance: ≤20mΩ
- After environmental testing: ≤30mΩ

■ Specifications :

X-ON Electronics

Largest Supplier of Electrical and Electronic Components

Click to view similar products for [Headers & Wire Housings](#) category:

Click to view products by [XKB](#) manufacturer:

Other Similar products are found below :

[95000-104TRLF](#) [10135584-644402LF](#) [DF62W-EP2022PCA](#) [95000-106TRLF](#) [DF62W-2022SCA](#) [DF62W-EP2022PC](#) [2203348](#) [DF62W-2022SC](#) [1084018](#) [1029039](#) [1084017](#) [802-10-012-10-002000](#) [1112640](#) [1112639](#) [891-007-9SS-BST1T](#) [000-34000](#) [0008550134](#) [0009482033](#) [0009507031](#) [57102-F02-18ULF](#) [57102-S06-03LF](#) [57202-S52-04LF](#) [PCN6-15S-2.5E](#) [0039019024](#) [58102-G61-06LF](#) [582553-1](#) [0009485154](#) [0009508121](#) [0022285053](#) [0050291907](#) [018731A](#) [LY20-4P-DT1-P1E-BR](#) [02.125.8002.8](#) [60101931](#) [60598-1 \(Cut Strip\)](#) [M1625-3R/100](#) [61062-3](#) [61082-181009](#) [CSU011177004](#) [636-1427](#) [638009-1](#) [641938-9](#) [641991-4](#) [644168-1](#) [644827-2](#) [647662-1](#) [65039-019ELF](#) [65692-001LF](#) [65781-018](#) [65781-047](#)