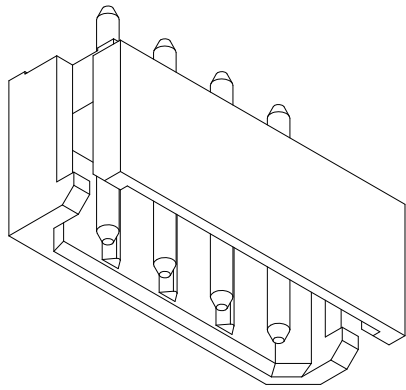
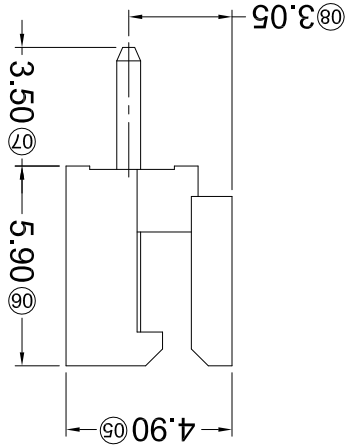
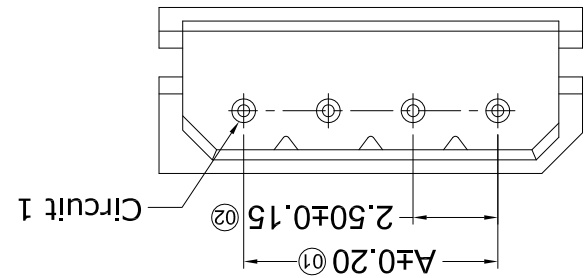
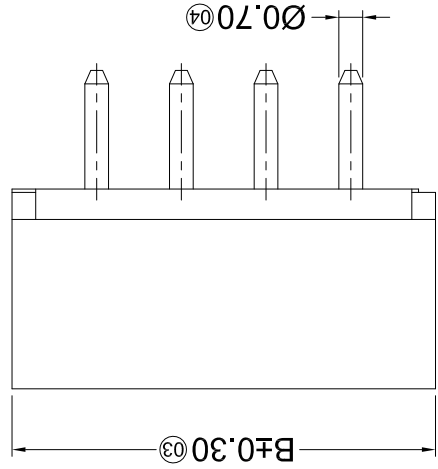
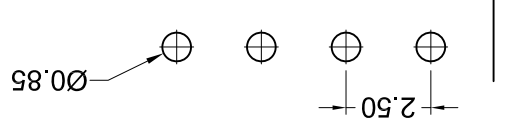


REVISIONS		UNSPECIFIED TOLERANCES	
MARK	DESCRIPTION	DATE	APPROVED
△ X			
△ X			
△ X			
For and on behalf of KXB INDUSTRIAL PRECISION CO., LIMITED 香港星坤工業精密有限公司			
AUTHORIZED SIGNATURE(S)			

REVISION	SHEET	WEIGHT	KXB INDUSTRIAL PRECISION CO., LIMITED		
A0	1/1	1.0g	DATE	DATE	DATE
DWG NO.:			APPD	CHKD	DWN
2.50mm Crimp Style Connectors			DATE	DATE	DATE
PART NO.:			VIEW:	SCALE: N/A	MODEL TYPE:
X2564WV-XX-N0SN			UNIT: mm		X2564WV-XX-N0SN

PART NO	Material	Material(Pin)	Finish(Pin)	Suitable XKB Terminal
X2564WV-XX-N0SN	Nylon 66 UL 94V-0	Brass	Tin-Plated	X2564H

Recommended P.C.B Layout
General Tolerance±0.05



Poles	Dimensions (mm)	
	A	B
02	2.50	7.50
03	5.00	10.00
04	7.50	12.50
05	10.00	15.00
06	12.50	17.50
07	15.00	20.00
08	17.50	22.50
09	20.00	25.00

- ① Series No.
- ② Category: W-WAFER
- ③ Welding Board Angle: V-180°
- ④ Welding Way: Blank-DIP
- ⑤ Row No.-Pin No.: XX-Single Row
- ⑥ Plug the Pin & Special No.
- ⑦ Material: N0 -PA66 94V-0
- ⑧ Plating Category: SN-Bright Tin Plating
- ⑨ Color: Blank-Natural Color

X2564 W V X-XX X -N0 SN XX

- Specifications :
- Voltage rating: 250V AC / DC
- Current rating: 3A AC / DC
- Withstanding voltage: 1000V AC/minute
- Temperature range: -25°C~+85°C
- Insulation resistance: ≥1000MΩ
- Contact resistance: ≤20mΩ
- After environmental testing: ≤30mΩ

For and on behalf of
XKB INDUSTRIAL PRECISION CO., LIMITED
 香港星坤工業精密有限公司

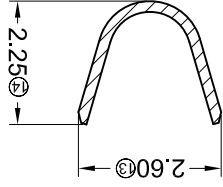
Revisions
 (Unauthorized Signatures)

MARK	DESCRIPTION	DATE	REVISED	APPROVED	UNSPECIFIED TOLERANCES
△X					L > 63 ± 0.5
△X					16 < L ≤ 63 ± 0.4
△X					4 < L ≤ 16 ± 0.3
△X					L ≤ 4 ± 0.2
					ANGULAR ± 5°

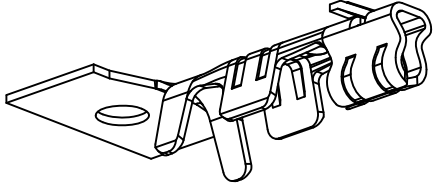
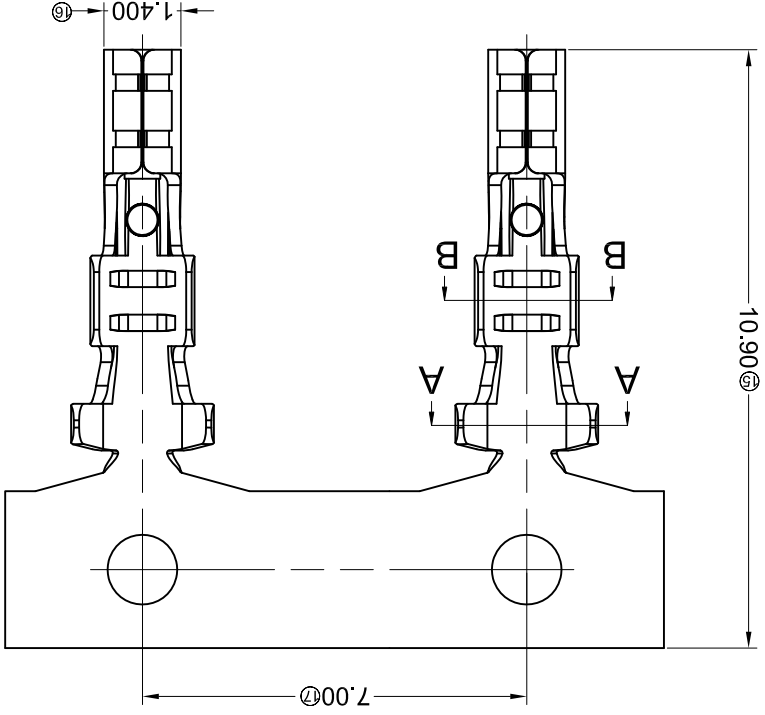
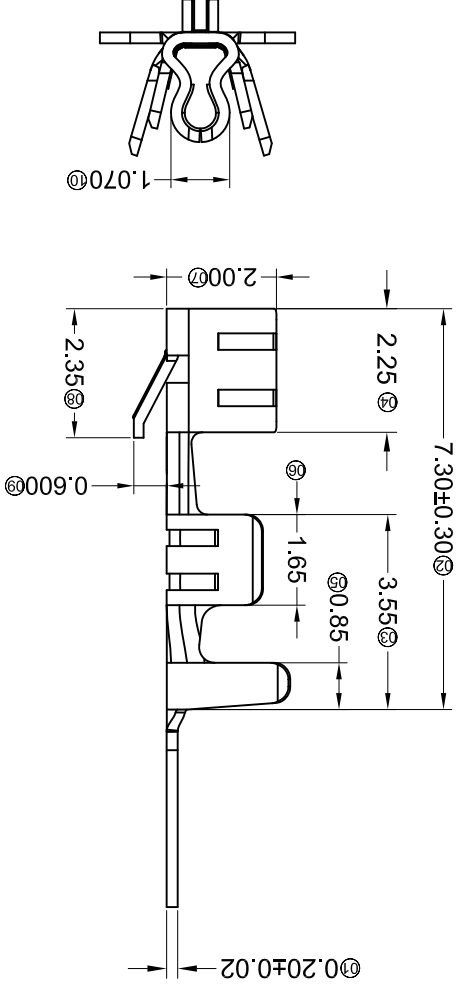
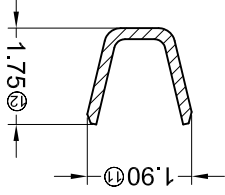
REVISION	SHEET	WEIGHT	XKB INDUSTRIAL PRECISION CO., LIMITED			
A0	1/1	1.0g	SIZE: A4	DATE	DATE	DATE
			UNIT: mm	DATE	DATE	DATE
			VIEW:	DATE	DATE	DATE
			SCALE: N/A	DATE	DATE	DATE
			MODEL TYPE: X2564T-XSN			
			PART NO.:			
			2.50mm Crimp Style Connectors			
			DWG NO.:			

PART NO	Material	Wire Range	Insulation O.D.	Finish	Suitable XKB Terminal
X2564T-PSN	Phosphor Bronze	AWG#22-28	1.90mm(Max)	Stamping Before Plating:30u" Ni,70u" Sn	X2564H
X2564T-BSN	Brass				
X2564T-BSNB	Brass			Plating Before Stamping:10u" Ni,40u" Sn	

SECTION: A-A
 SCALE: 1:1



SECTION: B-B
 SCALE: 1:1



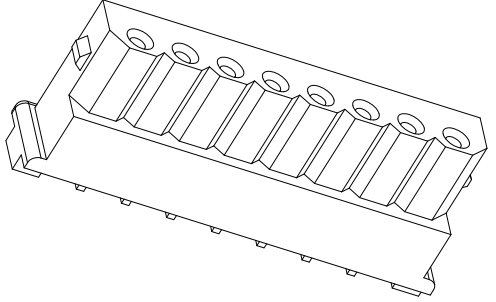
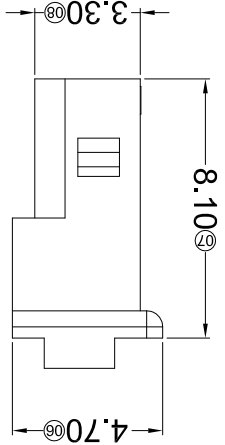
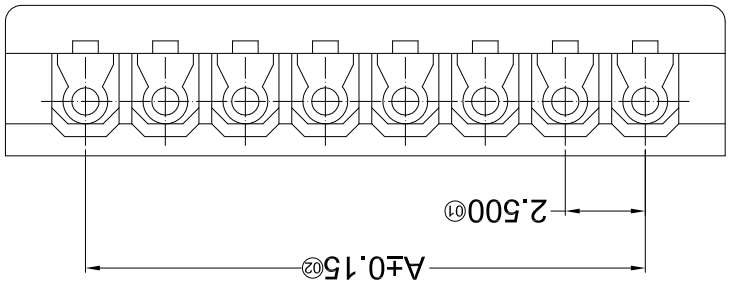
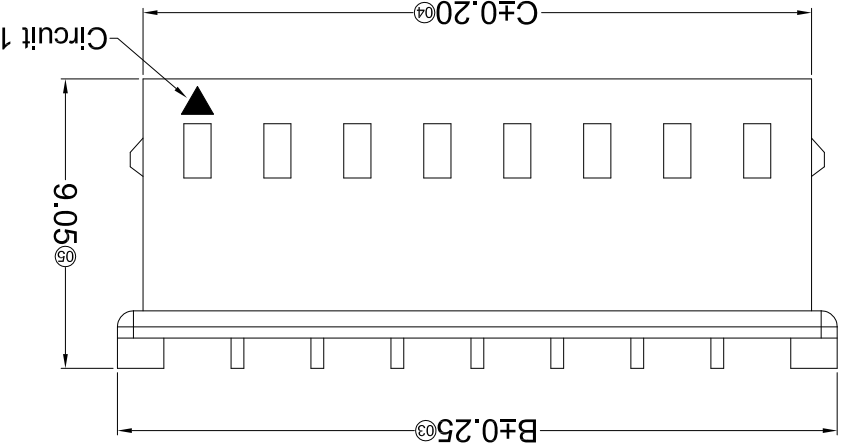
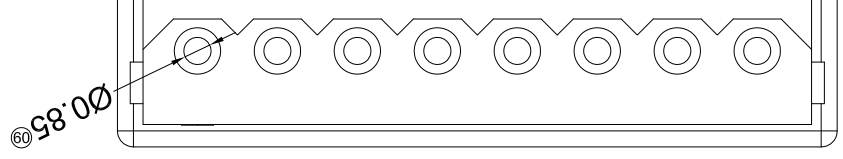
- Specifications :
- Voltage rating: 250V AC / DC
 - Current rating: 3A AC / DC
 - Withstanding voltage: 1000V AC/minute
 - Temperature range: -25°C~+85°C
 - Insulation resistance: ≥1000MΩ
 - Contact resistance: ≤20mΩ
 - After environmental testing: ≤30mΩ
- X2564 T X-X SN X-X
- ① Series No.
 ② Category: T-Terminal
 ③ Appearance type: Blank-Ordinary
 ④ Material: P-Phosphor bronze; B-Brass
 ⑤ Plating Style: SN-Bright Tin Plating
 ⑥ Plating Method :
 Blank-Stamping before Plating
 B-Plating before stamping
 ⑦ Mold No./Mark/Special No.

For and on behalf of
XKB INDUSTRIAL PRECISION CO., LIMITED
 香港星坤工業精密有限公司

Revisions (Authorized Signatures)

MARK	DESCRIPTION	DATE	REVISED	APPROVED	UNSPECIFIED TOLERANCES
△ X					L > 63 ± 0.5
△ X					16 < L ≤ 63 ± 0.4
△ X					4 < L ≤ 16 ± 0.3
△ X					L ≤ 4 ± 0.2
					ANGULAR ± 5°

REVISION	SHEET	WEIGHT	XKB INDUSTRIAL PRECISION CO., LIMITED		
A0	1/1	1.0g	SIZE: A4	DATE	DATE
			UNIT: mm	DATE	DATE
			VIEW:	DATE	DATE
			SCALE: N/A	DATE	DATE
			PART NO.: X2564H-XX-N0XX		
			MODEL TYPE: X2564H-XX-N0XX		



PART NO	Material	Suitable XKB Terminal	Suitable XKB Terminal
X2564H-XX-N0	PA66 UL 94V-0	X2564T	X2564W
X2564H-XX-N0HF	PA66 UL 94V-0 Halogen Free		

Poles	Dimensions (mm)		
	A	B	C
02	2.50	7.50	5.90
03	5.00	10.00	8.40
04	7.50	12.50	10.90
05	10.00	15.00	13.40
06	12.50	17.50	15.90
07	15.00	20.00	18.40
08	17.50	22.50	20.90
09	20.00	25.00	23.40

- ① Series No.
- ② Category: H-HSG
- ③ Apparance type: Blank-Ordinary
- ④ Row No.-Pin No.: XX-02P~16P
- ⑤ Plug the Pin & special No.: Blank-Ordinary
- ⑥ Material: N0-PA66 94V-0
- ⑦ HF-Halogen Free

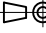
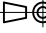
X2564 H X-XX X-N0 XX
 ① ② ③ ④ ⑤ ⑥ ⑦

- Specifications :
- Voltage rating: 250V AC / DC
- Current rating: 3A AC / DC
- Withstanding voltage: 1000V AC/minute
- Temperature range: -25°C~+85°C
- Insulation resistance: ≥1000MΩ
- Contact resistance: ≤20mΩ
- After environmental testing: ≤30mΩ

For and on behalf of
XKB INDUSTRIAL PRECISION CO., LIMITED
 香港星坤工業精密有限公司

Authorized Signature(s)

MARK	DESCRIPTION	DATE	REVISED	APPROVED	UNSPECIFIED TOLERANCES	
					L > 63	L ≤ 63
△ X					±0.4	±0.5
△ X					4 < L ≤ 16	±0.3
△ X					L ≤ 4	±0.2
					ANGULAR	±5°

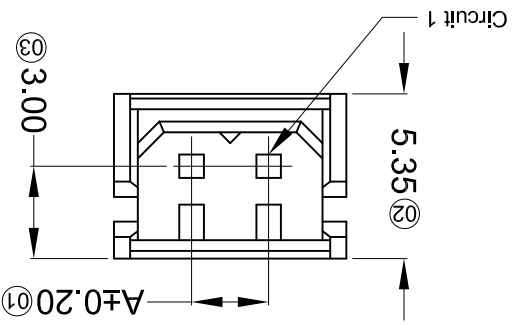
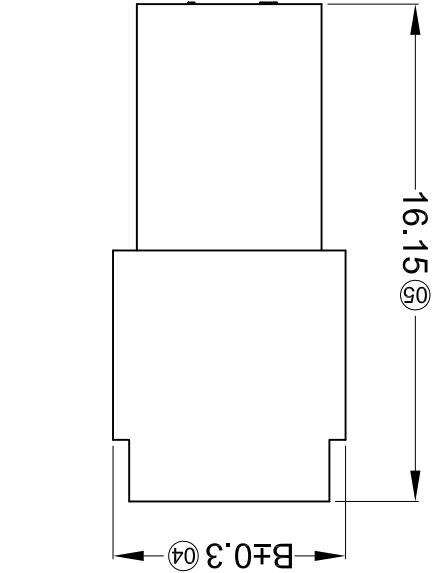
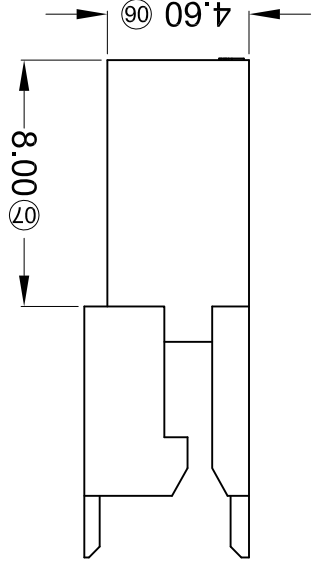
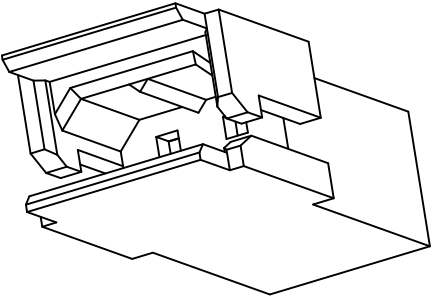
DWND	DATE	SCALE: N/A	VIEW: 	PART NO.:	7.50 mm Crimp Style Connectors	DWN	DATE	VIEW: 	PART NO.:	DWN	DATE	SCALE: N/A	MODEL TYPE: X2564HF-XX-N0	DMSD	DATE	SIZE: A4	WEIGHT: 1.0g	SHEET: 1/1	REVISION	A0
XKB INDUSTRIAL PRECISION CO., LIMITED																				

PART NO	Material	Suitable XKB Terminal	Suitable XKB Terminal
X2564HF-XX-N0	Nylon 66 UL 94V-0	X8821TM	X2564W

Poles	Dimensions(mm)		Dimensions(mm)															
	A	B	02	03	04	05	06	07	08	09	10	11	12	13	14	15	16	
	2.50	7.50	22.50	27.50	30.05	32.55	35.05	37.55	40.05	42.55	20.00	25.05	27.50	30.00	32.50	35.00	37.50	40.05

- Specifications :**
- ① Series No.
 - ② Category: H-HSC
 - ③ Appearance type: F : Female HSC
 - ④ Row No.-Pin No.: XX-Single Row
 - ⑤ Plug the Pin & Special No. Blank-Ordinary
 - ⑥ Material : N0-PA66 94V-0
 - ⑦ Color: Blank : Natural Color
 - HF:Halogen Free
- X2564 H F-XX X-N0 XX**
- ① ② ③ ④ ⑤ ⑥ ⑦

- Voltage rating: 250V AC / DC
- Current rating: 3A AC / DC
- Withstanding voltage: 1000V AC/minute
- Temperature range: -25°C~+85°C
- Insulation resistance: ≥1000MΩ
- Contact resistance: ≤20mΩ
- After environmental testing: ≤30mΩ



X-ON Electronics

Largest Supplier of Electrical and Electronic Components

Click to view similar products for [Headers & Wire Housings](#) category:

Click to view products by [XKB](#) manufacturer:

Other Similar products are found below :

[95000-104TRLF](#) [10135584-644402LF](#) [DF62W-EP2022PCA](#) [95000-106TRLF](#) [DF62W-2022SCA](#) [DF62W-EP2022PC](#) [2203348](#) [DF62W-2022SC](#) [1084018](#) [1029039](#) [1084017](#) [802-10-012-10-002000](#) [1112640](#) [1112639](#) [891-007-9SS-BST1T](#) [000-34000](#) [0008550134](#) [0009482033](#) [0009507031](#) [57102-F02-18ULF](#) [57102-S06-03LF](#) [57202-S52-04LF](#) [PCN6-15S-2.5E](#) [0039019024](#) [58102-G61-06LF](#) [582553-1](#) [0009485154](#) [0009508121](#) [0022285053](#) [0050291907](#) [018731A](#) [LY20-4P-DT1-P1E-BR](#) [02.125.8002.8](#) [60101931](#) [60598-1 \(Cut Strip\)](#) [M1625-3R/100](#) [61062-3](#) [61082-181009](#) [CSU011177004](#) [636-1427](#) [638009-1](#) [641938-9](#) [641991-4](#) [644168-1](#) [644827-2](#) [647662-1](#) [65039-019ELF](#) [65692-001LF](#) [65781-018](#) [65781-047](#)