

For and on behalf of  
**XKB INDUSTRIAL PRECISION CO., LIMITED**  
 香港星坤工業精密有限公司

Revisions (Authorized Signatures)

MARK	DESCRIPTION	DATE	REVISED	APPROVED	UNSPECIFIED TOLERANCES
△X					L > 63 ±0.5
△X					16 > L ≤ 63 ±0.4
△X					4 > L ≤ 16 ±0.3
△X					L ≤ 4 ±0.2
					ANGULAR ±5°

REVISION	SHEET	WEIGHT	DATE	DATE	DATE	DATE	DATE
A0	1/1	1.0g					

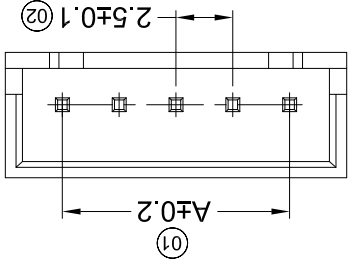
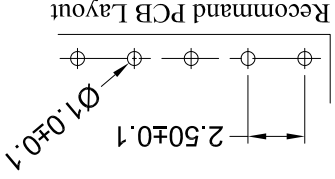
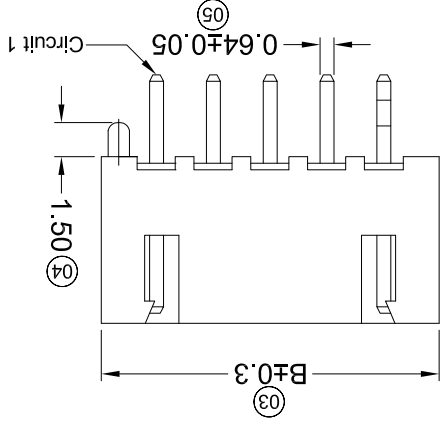
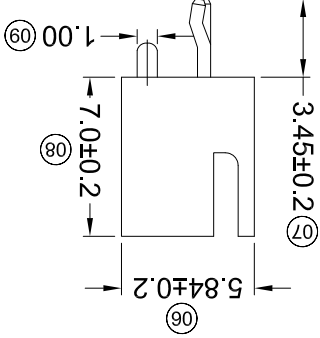
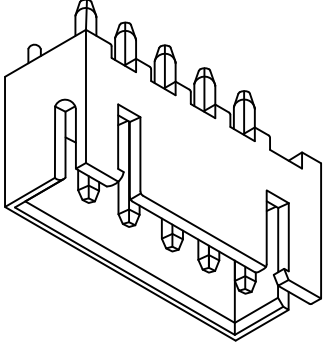
**XKB INDUSTRIAL PRECISION CO., LIMITED**

MODEL TYPE:	SCALE: N/A	DATE	DATE	DATE	DATE	DATE	DATE
X8821WV-XXKS-N0SN							
PART NO.:	VIEW:	DATE	DATE	DATE	DATE	DATE	DATE
2.50 mm Crimp style Connector							
DWG NO.:	UNIT: mm	DATE	DATE	DATE	DATE	DATE	DATE
SIZE: A4							

PART NO	Material	Material(Pin)	Finish(Pin)	Suitable XKB Terminal
X8821WV-XXKS-N0SN	Nylon 66 UL 94V-0	Brass	Tin-Plated	X8821H

Dimensions (mm)	A	B
02	2.50	7.50
03	5.00	10.00
04	7.50	12.50
05	10.00	15.00
06	12.50	17.50
07	15.00	20.00
08	17.50	22.50
09	20.00	25.00
10	22.50	27.50
11	25.00	30.00
12	27.50	32.50
13	30.00	35.00
14	32.50	37.50
15	35.00	40.00
16	37.50	42.50
17	40.00	45.00
18	42.50	47.50
19	45.00	50.00
20	47.50	52.50

- ① Series No. X8821 W V X-XX KS -N0 SN XX
- ② Category: W-WAFER
- ③ Welding Board Angle: V-180° ; R-90°
- ④ Welding Way: Blank-DIP ; S-SMT
- ⑤ Row No.-Pin No.: XX-Single Row ; 2\*XX-Double Row
- ⑥ Plug the Pin & Special No.: Blank-Without Kink ; K-With Kink
- ⑦ Material: NO -PA66 94V-0  
S-With Post
- ⑧ Plating Category: G\*\*-Gold Plated Contact  
V\*\*- All Gold-Plated  
01-Gold Flash 02-2u" 03-3u"  
05-5u" 10-10u" 15-15u"  
SN-Bright Tin Plating (70u")  
SN1-Bright Tin Plating (120u" Min).  
0-No Plating Material  
SW- Fog Tin Plating  
HS-Hight temperature Tin
- ⑨ Color : Blank-Natural Color ;



- Specifications :**
- Voltage rating: 250V AC / DC
  - Current rating: 3A AC / DC
  - Withstanding voltage: 1000V AC/minute
  - Temperature range: -25°C~+85°C
  - Insulation resistance: ≥1000MΩ
  - Contact resistance: ≤10mΩ
  - After environmental testing: ≤20mΩ

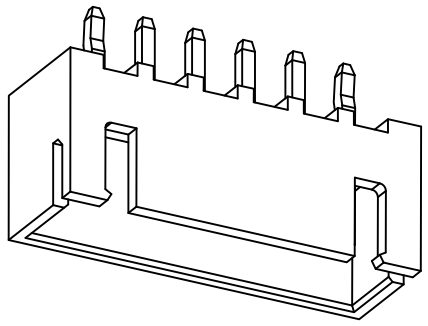
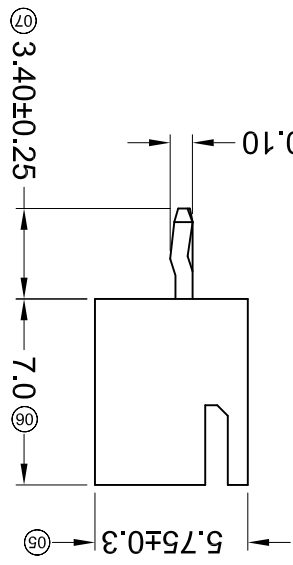
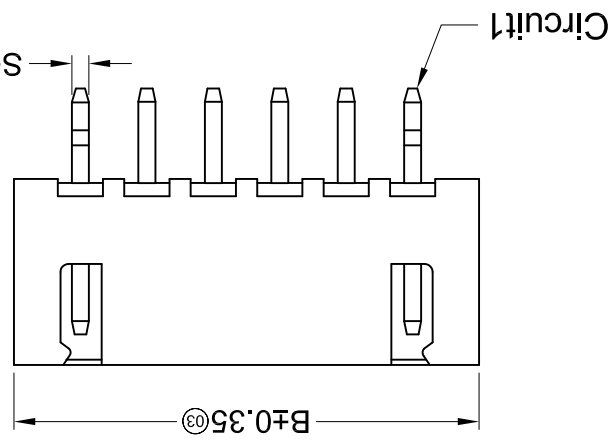
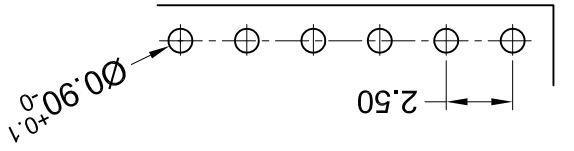
For and on behalf of  
**XKB INDUSTRIAL PRECISION CO., LIMITED**  
 香港星坤工業精密有限公司

REVISIONS  
 Authorized Signature(s)

MARK	DESCRIPTION	DATE	REVISED	APPROVED	UNSPECIFIED TOLERANCES
△X					L > 63 ±0.5
△X					16 > L ≤ 63 ±0.4
△X					4 < L ≤ 16 ±0.3
					L ≤ 4 ±0.2
					ANGULAR ±5°

REVISION	SHEET	WEIGHT	XKB INDUSTRIAL PRECISION CO., LIMITED			
A0	1/1	1.0g	DATE	SCALE: N/A	DATE	MODEL TYPE: X8821WV-XXK-N0SN
			DATE	VIEW:	DATE	PART NO.: 2.50mm Crimp Style Connector
			DATE	UNIT: mm	DATE	DWG NO.:
			DATE	SIZE: A4	DATE	

Recommended P.C.B Layout  
 General Tolerance±0.05



Poles	Dimensions(mm)		Poles	Dimensions(mm)	
	A	B		A	B
02	2.50	7.50	12	27.50	32.50
03	5.00	10.00	13	30.00	35.00
04	7.50	12.50	14	32.50	37.50
05	10.00	15.00	15	35.00	40.00
06	12.50	17.50	16	37.50	42.50
07	15.00	20.00	17	40.00	45.00
08	17.50	22.50	18	42.50	47.50
09	20.00	25.00	19	45.00	50.00
10	22.50	27.50	20	47.50	52.50
11	25.00	30.00			

- ① Series No.  
 X8821 W V X-XX K-N0 SN XX  
 ② Category: W-WAFER  
 ③ Welding Board Angle: V-Stringht 180°  
 ④ Welding Way: Blank-DIP;  
 ⑤ Row No.-Pin No.: XX-Single Row;  
 ⑥ Plug the Pin & Special No.: K-KINK  
 ⑦ Material: NO -PA66 94V-0  
 ⑧ Plating Category: SN-Bright Tin Plating  
 ⑨ Color: Blank-Natural Color

- Specifications:  
 • Voltage rating: 250V AC / DC  
 • Current rating: 3A AC / DC  
 • Withstanding voltage: 1000V AC/minute  
 • Temperature range: -25°C~+85°C  
 • Insulation resistance: ≥1000MΩ  
 • Contact resistance: ≤10mΩ  
 • After environmental testing: ≤20mΩ

PART NO	Material	Material(Pin)	Finish(Pin)	Suitable XKB Terminal
X8821WV-XXK-N0SN	Nylon 66 UL 94V-0	Brass	Tin-Plated	X8821H

For and on behalf of  
**XKB INDUSTRIAL PRECISION CO., LIMITED**  
 香港星坤工業精密有限公司

REVISIONS  
 (Unauthorized Signatures)

MARK	DESCRIPTION	DATE	REVISED	APPROVED	UNSPECIFIED TOLERANCES
△X					L > 63 ±0.5
△X					16 > L ≤ 63 ±0.4
△X					4 < L ≤ 16 ±0.3
					L ≤ 4 ±0.2
					ANGULAR ±5°

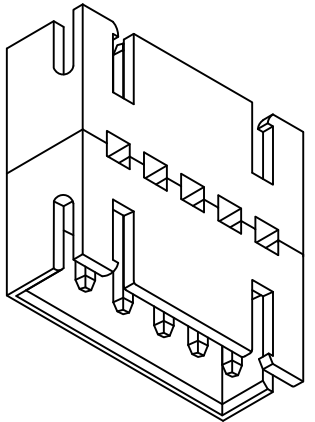
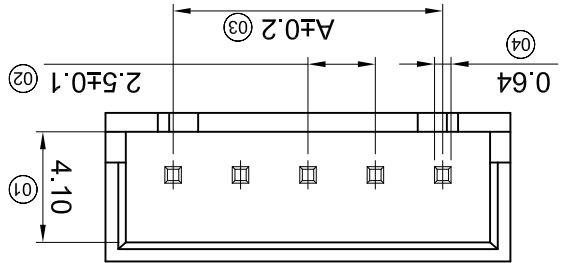
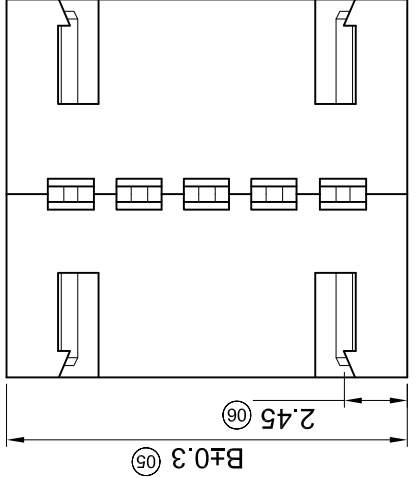
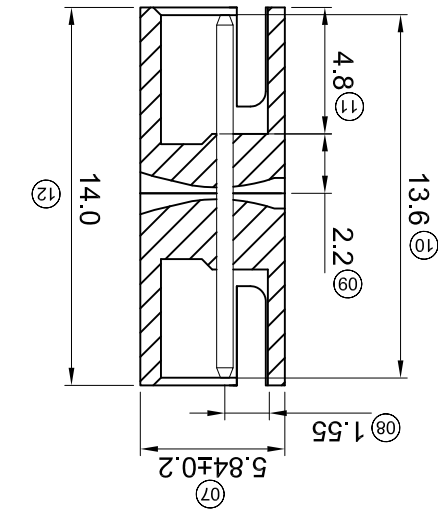
REVISION	SHEET	WEIGHT	SCALE: N/A	DATE	DNSD	DATE	DWN	DATE	CHKD	DATE	APPD	SIZE: A4
A0	1/1	1.0g										

**XKB INDUSTRIAL PRECISION CO., LIMITED**

PART NO	Material	Material(Pin)	Finish(Pin)	Suitable XKB Terminal
X8821WV-XXHX2-N0SN	Nylon 66 UL 94V-0	Brass	Tin-Plated	X8821H

Dimensions (mm)	A	B
02	2.50	7.50
03	5.00	10.00
04	7.50	12.50
05	10.00	15.00
06	12.50	17.50
07	15.00	20.00
08	17.50	22.50
09	20.00	25.00
10	22.50	27.50
11	25.00	30.00
12	27.50	32.50
13	30.00	35.00
14	32.50	37.50
15	35.00	40.00
16	37.50	42.50
17	40.00	45.00
18	42.50	47.50
19	45.00	50.00
20	47.50	52.50

- ① Series No.  
 X8821 W V X-XX H2 -N0 XX XX
- ② Category: W-WAFER
- ③ Welding Board Angle: V-180° ; R-90°
- ④ Welding Way: Blank-DIP ; S-SMT
- ⑤ Row No.-Pin No.: XX-Single Row ; 2\*XX-Double Row
- ⑥ Plug the Pin & Special No.: H2-Double-Faced Wafer
- ⑦ Material: N0 -PA66 94V-0
- ⑧ Plating Category: G\*\*-Gold Plated Contact  
 V\*\*- All Gold-Plated  
 01-Gold Flash 02-2u" 03-3u"  
 05-5u" 10-10u" 15-15u"  
 SN-Bright Tin Plating (70u")  
 SN1-Bright Tin Plating (120u" Min).  
 0-No Plating Material  
 SW-Fog Tin Plating  
 HS-Hight temperature Tin
- ⑨ Color : Blank-Natural Color ;



- Specifications :**
- Voltage rating: 250V AC / DC
  - Current rating: 3A AC / DC
  - Withstanding voltage: 1000V AC/minute
  - Temperature range: -25°C~+85°C
  - Insulation resistance: ≥1000MΩ
  - Contact resistance: ≤10mΩ
  - After environmental testing: ≤20mΩ

*For and on behalf of*  
**XKB INDUSTRIAL PRECISION CO., LIMITED**  
 香港星坤工業精密有限公司  
 REVISIONS SIGNATURE(S)

MARK	DESCRIPTION	DATE	REVISED	APPROVED	UNSPECIFIED TOLERANCES
△X					±0.5
△X					L > 63
△X					16 < L ≤ 63
					±0.4
					4 < L ≤ 16
					±0.2
					L ≤ 4
					ANGULAR
					±5°

REVISION	SHEET	WEIGHT	XKB INDUSTRIAL PRECISION CO., LIMITED		
A0	1/1	1.0g			

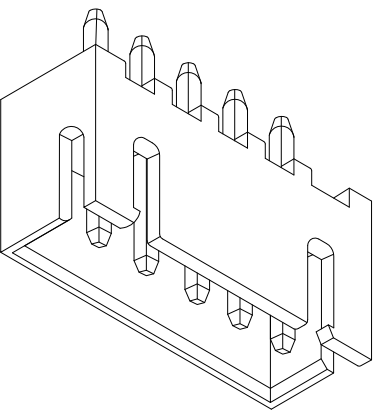
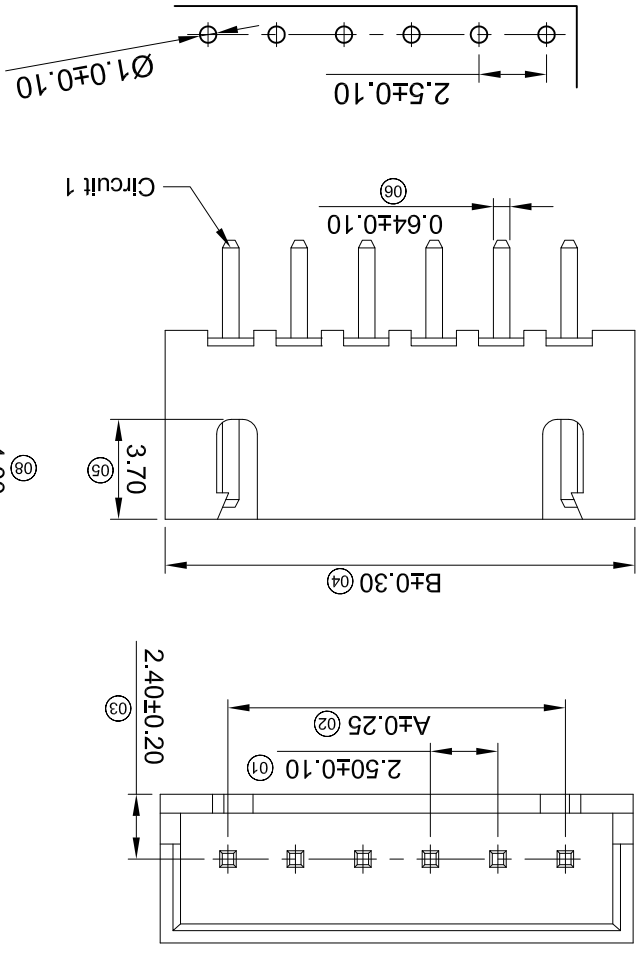
DNSD	DATE	SCALE: N/A	MODEL TYPE: X8821WV-XX-N0XX

DWN	DATE	VIEW:	PART NO.: 2.50 mm Crimp style Connector

CHKD	DATE	UNIT: mm	DWG NO.:

APPD	DATE	SIZE: A4

**Recommend PCB Layout**



- ① Series No. X8821 W V X-XX X -N0 XX XX
- ② Category: W-WAFER
- ③ Welding Board Angle: V-180° ; R-90°
- ④ Welding Way: Blank-DIP ; S-SMT
- ⑤ Row No.-Pin No.: XX-Single Row ; 2\*XX-Double Row
- ⑥ Plug the Pin & Special No.:
- ⑦ Material: N0 -PA66 94V-0
- ⑧ Plating Category: G\*\*-Gold Plated Contact
- ⑨ V\*\*- All Gold-Plated
- 01-Gold flash 02-2u" 03-3u"
- 05-5u" 10-10u" 15-15u"
- SN-Bright Tin Plating (70u")
- SN-1-Bright Tin Plating (120u" Min).
- 0-No Plating Material
- SW-Fog Tin Plating
- HS-Hight temperature Tin
- ⑩ Color : Blank-Natural Color ;

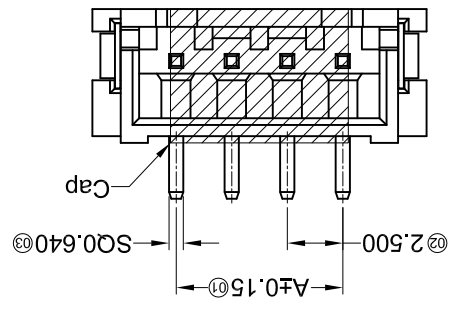
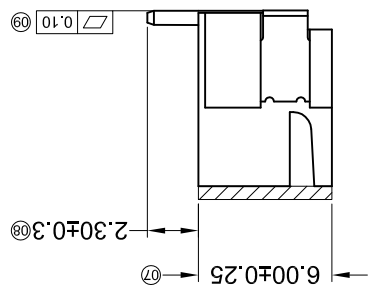
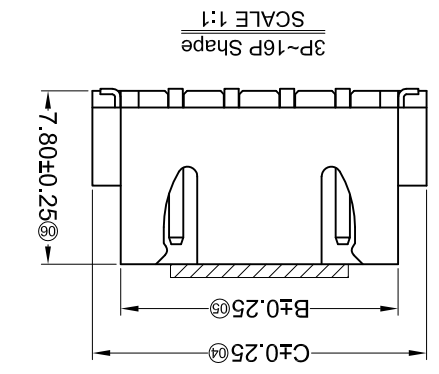
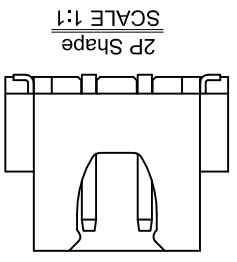
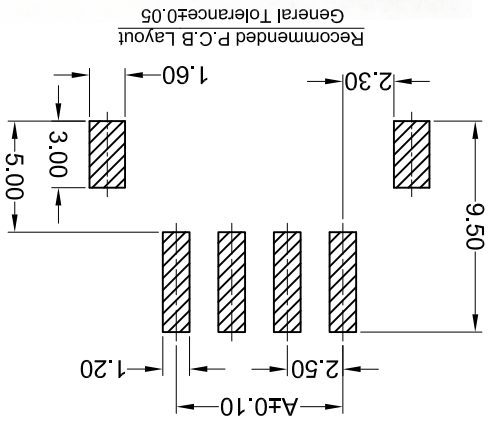
Dimensions (mm)	A	B
02	2.50	7.50
03	5.00	10.00
04	7.50	12.50
05	10.00	15.00
06	12.50	17.50
07	15.00	20.00
08	17.50	22.50
09	20.00	25.00
10	22.50	27.50
11	25.00	30.00
12	27.50	32.50
13	30.00	35.00
14	32.50	37.50
15	35.00	40.00
16	37.50	42.50
17	40.00	45.00
18	42.50	47.50
19	45.00	50.00
20	47.50	52.50

- Specifications :
- Voltage rating: 250V AC / DC
  - Current rating: 3A AC / DC
  - Withstanding voltage: 1000V AC/minute
  - Temperature range: -25°C~+85°C
  - Insulation resistance: ≥1000MΩ
  - Contact resistance: ≤10mΩ
  - After environmental testing: ≤20mΩ

For and on behalf of  
**XKB INDUSTRIAL PRECISION CO., LIMITED**  
 香港星坤工業精密有限公司

MARK	DESCRIPTION	DATE	REVISED	APPROVED	UNSPECIFIED TOLERANCES
△X					$L > 63$ $\pm 0.5$
△X					$16 < L \leq 63$ $\pm 0.4$
△X					$4 < L \leq 16$ $\pm 0.3$
					$L \leq 4$ $\pm 0.2$
					ANGULAR $\pm 5^\circ$

REVISION	SHEET	WEIGHT	XKB INDUSTRIAL PRECISION CO., LIMITED			
A0	1/1	1.0g	SIZE: A4	DATE	DATE	DATE
			UNIT: mm	DATE	DATE	DATE
			VIEW:	DATE	DATE	DATE
			SCALE: N/A	DATE	DATE	DATE
			PART NO.: X8821WVS-XX-9T-SN			
			MODEL TYPE: X8821WVS-XX-9T-SN			



PART NO	Material	Material(Pin)	Finish(Pin)	Material(Solder Tabs)	Finish(Solder Tabs)	Material(Solder Tabs)	Finish(Solder Tabs)	Suitable XKB Terminal
X8821WVS-XX-9T-SN	PA9T UL 94V-0	Brass	Tin-plated	Phosphore Bronze	Tin-plated	Phosphore Bronze	Tin-plated	X8821H

Poles	A	B	C	Poles	A	B	C
02	2.50	7.45	10.00	10	22.50	27.45	30.00
03	5.00	9.95	12.50	11	25.00	29.95	32.50
04	7.50	12.45	15.00	12	27.50	32.45	35.00
05	10.00	14.95	17.50	13	30.00	34.95	37.50
06	12.50	17.45	20.00	14	32.50	37.45	40.00
07	15.00	19.95	22.50	15	35.00	39.95	42.50
08	17.50	22.45	25.00	16	37.50	42.45	45.00
09	20.00	24.95	27.50				

- Specifications :
- Voltage rating: 250V AC / DC
  - Current rating: 3A AC / DC
  - Withstanding voltage: 1000V AC/minute
  - Temperature range: -25°C~+85°C
  - Insulation resistance: ≥1000MΩ
  - Contact resistance: ≤10mΩ
  - After environmental testing: ≤20mΩ
- ① Series No.  
 ② Category: W-WAFER  
 ③ Welding Board Angle: V-180°  
 ④ Welding Way: S-SMT  
 ⑤ Row No.-Pin No.: XX-Single Row  
 ⑥ Plug the Pin & Special No.:  
 ⑦ Material: 9T -PA9T 94V-0  
 ⑧ Plating Category: SN-Bright Tin Plating  
 ⑨ Color: Blank-Natural Color

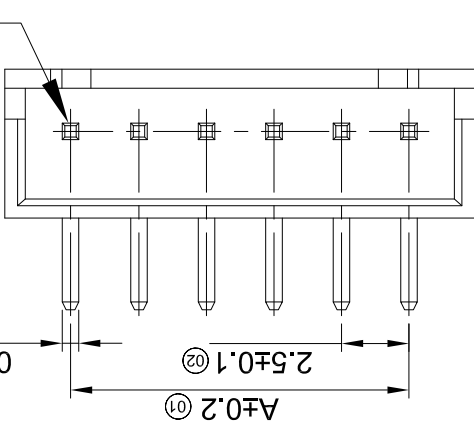
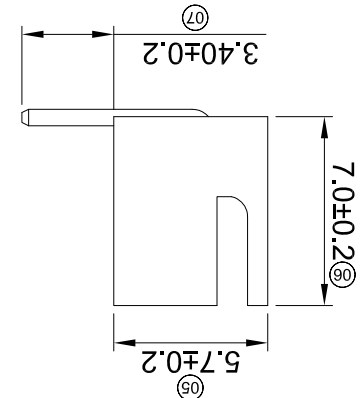
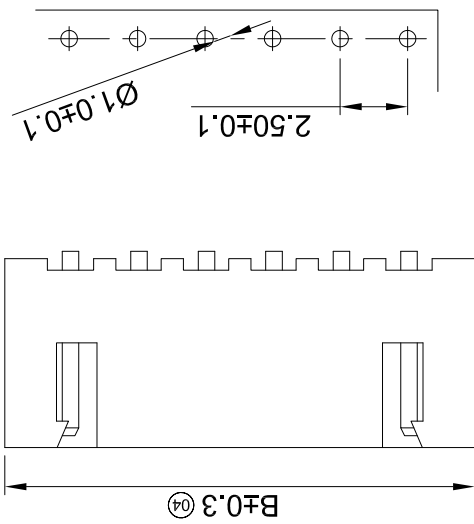
X8821 W V S-XX X-9T SN XX  
 ① ② ③ ④ ⑤ ⑥ ⑦ ⑧ ⑨

**For and on behalf of**  
**KXB INDUSTRIAL PRECISION CO., LIMITED**  
 香港星坤工業精密有限公司

MARK	DESCRIPTION	DATE	REVISED	APPROVED	UNSPECIFIED TOLERANCES
△X					L > 63
△X					16 < L ≤ 63
△X					4 < L ≤ 16
					L ≤ 4
					ANGULAR
					± 0.2
					± 0.5

REVISION	SHEET	WEIGHT	SIZE: A4	DATE	DATE	DATE	DATE	DATE
A0	1/1	1.0g						

**Recommend PCB Layout**



PART NO	Material	Material(Pin)	Finish(Pin)	Suitable XKB Terminal
X8821WR-XXS-N0SN	Nylon 66 UL 94V-0	Brass	Tin-Plated	X8821H

Dimensions (mm)	A	B
02	2.50	7.50
03	5.00	10.00
04	7.50	12.50
05	10.00	15.00
06	12.50	17.50
07	15.00	20.00
08	17.50	22.50
09	20.00	25.00
10	22.50	27.50
11	25.00	30.00
12	27.50	32.50
13	30.00	35.00
14	32.50	37.50
15	35.00	40.00
16	37.50	42.50
17	40.00	45.00
18	42.50	47.50
19	45.00	50.00
20	47.50	52.50

- X8821 WR X-XX S-N0 SN XX**
- ① Series No.
  - ② Category: W-WAFER
  - ③ Welding Board Angle: V-180°; R-90°
  - ④ Welding Way: Blank-DIP; S-SMT
  - ⑤ Row No.-Pin No.: XX-Single Row; 2\*XX-Double Row
  - ⑥ Plug the Pin & Special No.: S-No Positioning
  - ⑦ Material: N0 -PA66 94V-0 N2-PA66 94V-2
  - ⑧ Plating Category: G\*-Gold Plated Contact
  - ⑨ V\*- All Gold-Plated
  - ⑩ 01-1u" 02-2u" 03-3u"
  - ⑪ 05-5u" 10-10u" 15-15u"
  - ⑫ SN-Bright Tin Plating (70u")
  - ⑬ SN1-Bright Tin Plating (120u" Min).
  - ⑭ 0-No Plating Material
  - ⑮ SW-Fog Tin Plating
  - ⑯ HS-Hight temperature Tin
  - ⑰ Color: Blank-Natural Color

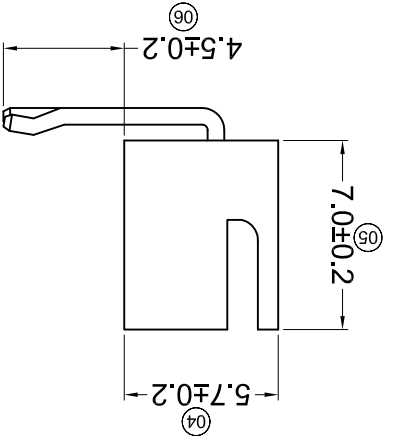
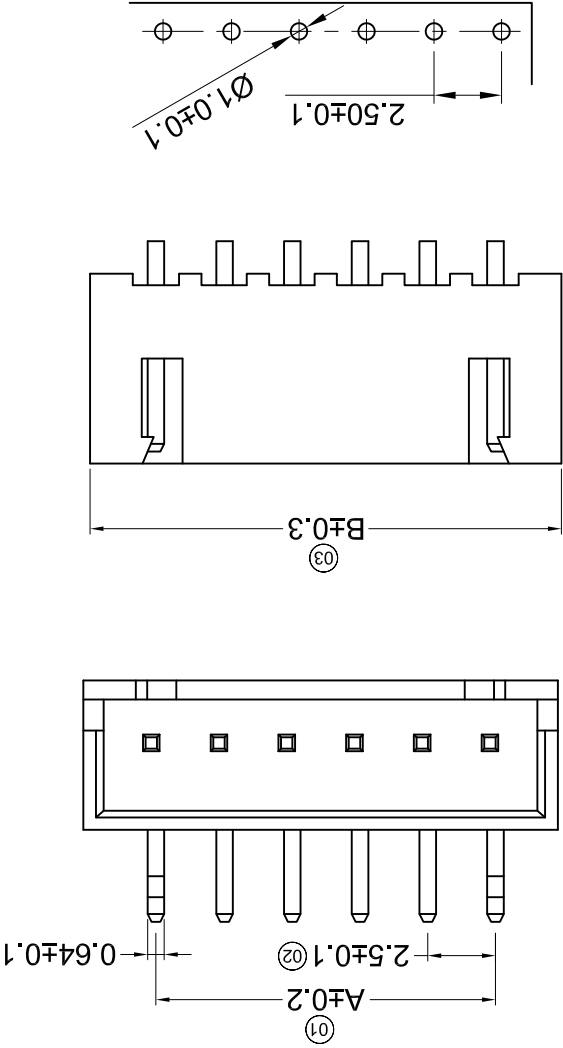
- Specifications:**
- Voltage rating: 250V AC / DC
  - Current rating: 3A AC / DC
  - Withstanding voltage: 1000V AC/minute
  - Temperature range: -25°C~+85°C
  - Insulation resistance: ≥1000MΩ
  - Contact resistance: ≤10mΩ
  - After environmental testing: ≤20mΩ

For and on behalf of  
**KXB INDUSTRIAL PRECISION CO., LIMITED**  
 香港星坤工業精密有限公司

MARK	DESCRIPTION	DATE	REVISED	APPROVED	UNSPECIFIED TOLERANCES	
					L > 63	± 0.5
△ X					16 < L ≤ 63	± 0.4
△ X					4 < L ≤ 16	± 0.3
△ X					L ≤ 4	± 0.2
					ANGULAR	± 5°

REVISIONS		WEIGHT		KXB INDUSTRIAL PRECISION CO., LIMITED	
NO.	DESCRIPTION	WEIGHT	SHEET	DATE	REVISION
1		1.0g	1/1		A0

**Recommend PCB Layout**



PART NO	Material	Material(Pin)	Finish(Pin)	Material(Pin)
X8821WR-XXKS-N0SN	Nylon 66 UL 94V-0	Brass	Tin-Plated	Suitable XKB Terminal

Dimensions (mm)	A	B
02	2.50	7.50
03	5.00	10.00
04	7.50	12.50
05	10.00	15.00
06	12.50	17.50
07	15.00	20.00
08	17.50	22.50
09	20.00	25.00
10	22.50	27.50
11	25.00	30.00
12	27.50	32.50
13	30.00	35.00
14	32.50	37.50
15	35.00	40.00
16	37.50	42.50
17	40.00	45.00
18	42.50	47.50
19	45.00	50.00
20	47.50	52.50

- ① Series No.**
- X8821 W R X-XX KS -N0 SN XX
- ① ② ③ ④ ⑤ ⑥ ⑦ ⑧ ⑨
  - ① Color : Blank-Natural Color ;
  - ② Plating Category: G\*-Gold Plated Contact
  - ③ Material: N0 -PA66 94V-0 N2-PA66 94V-2
  - ④ Plating Category: G\*-Gold Plated Contact
  - ⑤ V\*- All Gold-Plated
  - ⑥ 01-Gold Flash 02-2u" 03-3u"
  - ⑦ 05-5u" 10-10u" 15-15u"
  - ⑧ SN-Bright Tin Plating (70u")
  - ⑨ SN1-Bright Tin Plating (120u" Min).
  - ⑩ 0-No Plating Material
  - ⑪ SW- Fog Tin Plating
  - ⑫ HS-Hight temperature Tin
  - ⑬ Color : Blank-Natural Color ;

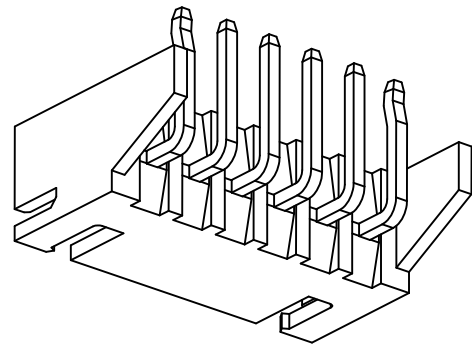
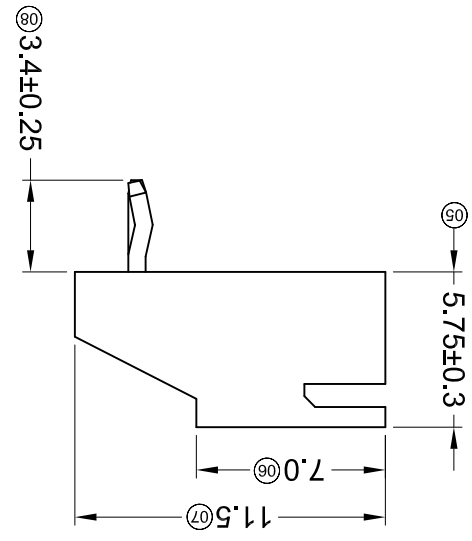
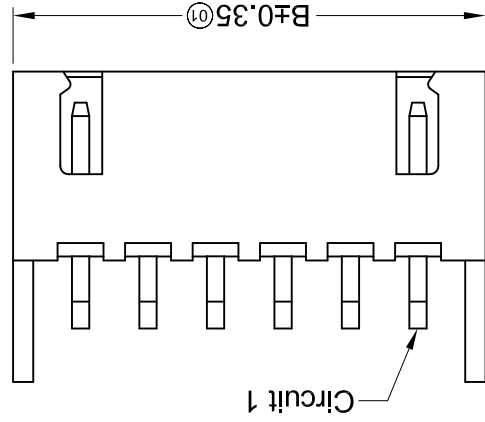
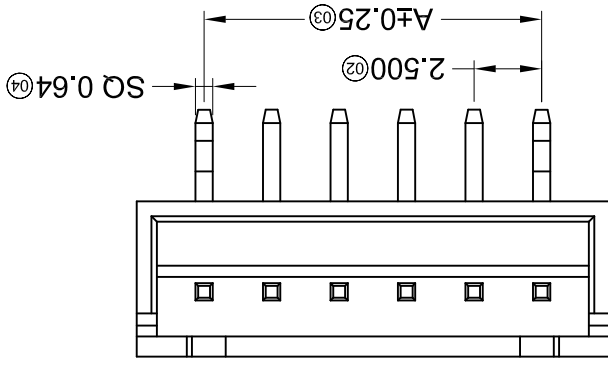
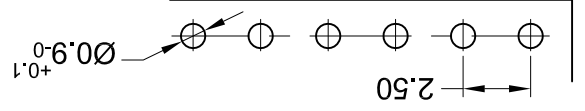
- Specifications :**
- Voltage rating: 250V AC / DC
  - Current rating: 3A AC / DC
  - Withstanding voltage: 1000V AC/minute
  - Temperature range: -25°C~+85°C
  - Insulation resistance: ≥1000MΩ
  - Contact resistance: ≤10mΩ
  - After environmental testing: ≤20mΩ

REVISIONS		UNSPECIFIED TOLERANCES		APPROVED		REVISED		DATE		DESCRIPTION		MARK	
△X	△X	△X	△X	△X	△X	△X	△X	△X	△X	△X	△X	△X	△X
REVISIONS		UNSPECIFIED TOLERANCES		APPROVED		REVISED		DATE		DESCRIPTION		MARK	
△X	△X	△X	△X	△X	△X	△X	△X	△X	△X	△X	△X	△X	△X

For and on behalf of  
**XKB INDUSTRIAL PRECISION CO., LIMITED**  
 香港星坤工業精密有限公司

DMSND		DATE		SCALE: N/A		MODEL TYPE: X8821WR-XXK-N0SN	
DWN		DATE		VIEW:		PART NO.: 2.50mm Crimp style Connector	
CHKD		DATE		UNIT: mm		DWG NO.:	
APPD		DATE		SIZE: A4			
PART NO		Material		Material(Pin)		Finish(Pin)	
X8821WR-XXK-N2SN		Nylon 66 UL 94V2		Brass		Tin-Plated	
X8821WR-XXK-N0SN		Nylon 66 UL 94V-0		Brass		Tin-Plated	
Suitable XKB Terminal							

Recommended P.C.B Layout  
 General Tolerance±0.05



Poles	Dimensions(mm)		Poles	A	B
	A	B			
02	2.50	7.50	12	27.50	32.50
03	5.00	10.00	13	30.00	35.00
04	7.50	12.50	14	32.50	37.50
05	10.00	15.00	15	35.00	40.00
06	12.50	17.50	16	37.50	42.50
07	15.00	20.00	17	40.00	45.00
08	17.50	22.50	18	42.50	47.50
09	20.00	25.00	19	45.00	50.00
10	22.50	27.50	20	47.50	52.50
11	25.00	30.00			

- ① Series No. X8821 W R X-XX K -N0 SN XX
- ② Category: W-WAFER
- ③ Welding Board Angle: R-Right Angle 90°
- ④ Welding Way: Blank-DIP;
- ⑤ Row No.-Pin No.: XX-Single Row;
- ⑥ Plug the Pin & Special No.: K-KINK
- ⑦ Material: N0-PA66 94V-0 N2-PA66 94V-2
- ⑧ Plating Category: SN-Bright Tin Plating
- ⑨ Color: Blank-Natural Color

- Specifications:
- Voltage rating: 250V AC / DC
  - Current rating: 3A AC / DC
  - Withstanding voltage: 1000V AC/minute
  - Temperature range: -25°C~+85°C
  - Insulation resistance: ≥1000MΩ
  - Contact resistance: ≤10mΩ
  - After environmental testing: ≤20mΩ



**香港星坤工業精密有限公司**  
**KXB INDUSTRIAL PRECISION CO., LIMITED**  
*For and on behalf of*

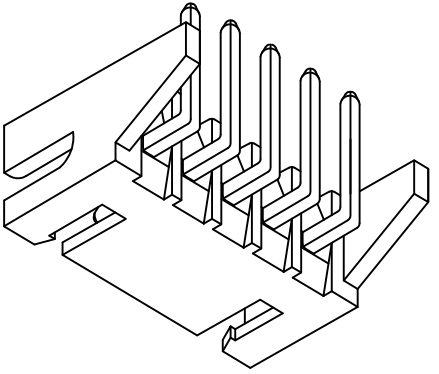
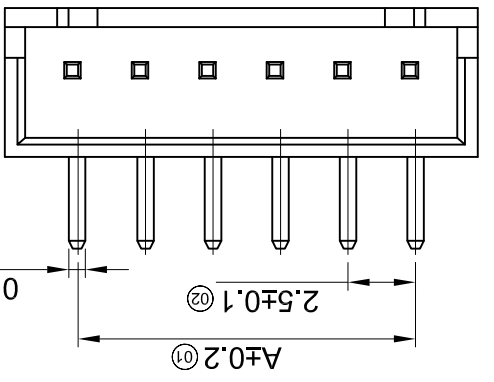
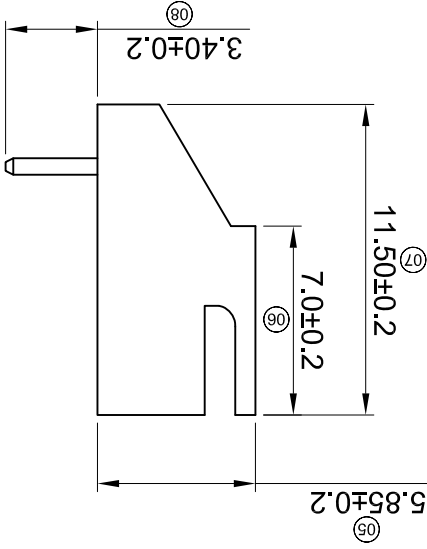
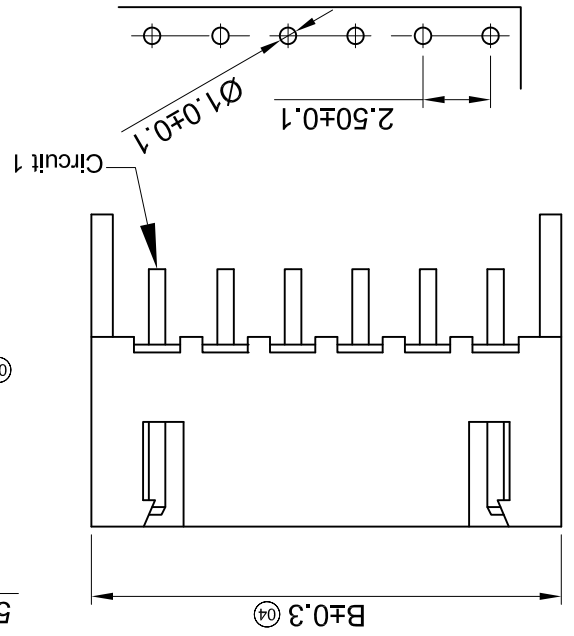
**Authorized Signatures**

MARK	DESCRIPTION	DATE	REVISED	APPROVED	UNSPECIFIED TOLERANCES
△X					L > 63
△X					16 < L ≤ 63
△X					4 < L ≤ 16
					L ≤ 4
					ANGULAR ±5°

REVISION	SHEET	WEIGHT	KXB INDUSTRIAL PRECISION CO., LIMITED			
A0	1/1	1.0g	DATE	DATE	DATE	DATE
			SIZE: A4	UNIT: mm	VIEW:	SCALE: N/A
			APPD	CHKD	DWN	DSND
			DWG NO.:	PART NO.:	MODEL TYPE:	
			2.50 mm Crimp style Connector	X8821WR-XX-N0SN	X8821WR-XX-N0SN	

PART NO	Material	Material(Pin)	Finish(Pin)	Suitable XKB Terminal
X8821WR-XX-N0SN	Nylon 66 UL 94V-0	Brass	Tin-Plated	X8821H
X8821WR-XX-K-N2SN	Nylon 66 UL 94V2	Brass	Tin-Plated	X8821H

**Recommend PCB Layout**



- ① Series No.**  
X8821 W R X-XX X -N0 SN XX
- ② Category:** W-WAFER
- ③ Welding Board Angle:** V-180° ; R-90°
- ④ Welding Way:** Blank-DIP ; S-SMT
- ⑤ Row No.-Pin No.:** XX-Single Row ; 2\*XX-Double Row
- ⑥ Plug the Pin & Special No.:**
- ⑦ Material:** N0 -PA66 94V-0 N2-PA66 94V-2
- ⑧ Plating Category:** G\*\*-Gold Plated Contact  
V\*\*- All Gold-Plated  
01-Gold Flash 02-2u" 03-3u"  
05-5u" 10-10u" 15-15u"  
SN-Bright Tin Plating (70-120u")  
SN-1 Bright Tin Plating (120u" Min).  
0-No Plating Material  
SW-Fog Tin Plating  
HS-Hight temperature Tin
- ⑨ Color:** Blank-Natural Color ;

Dimensions (mm)	A	B
02	2.50	7.50
03	5.00	10.00
04	7.50	12.50
05	10.00	15.00
06	12.50	17.50
07	15.00	20.00
08	17.50	22.50
09	20.00	25.00
10	22.50	27.50
11	25.00	30.00
12	27.50	32.50
13	30.00	35.00
14	32.50	37.50
15	35.00	40.00
16	37.50	42.50
17	40.00	45.00
18	42.50	47.50
19	45.00	50.00
20	47.50	52.50

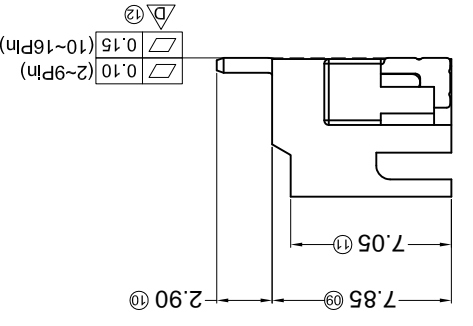
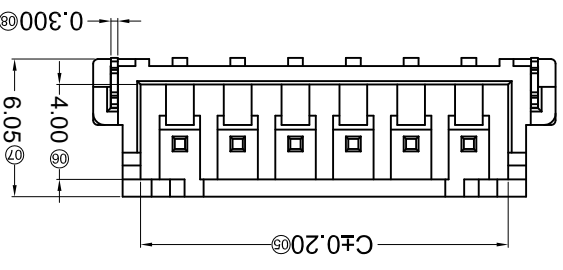
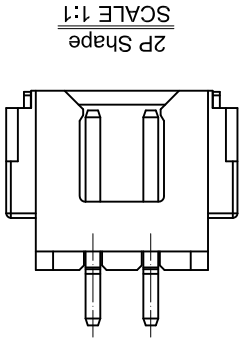
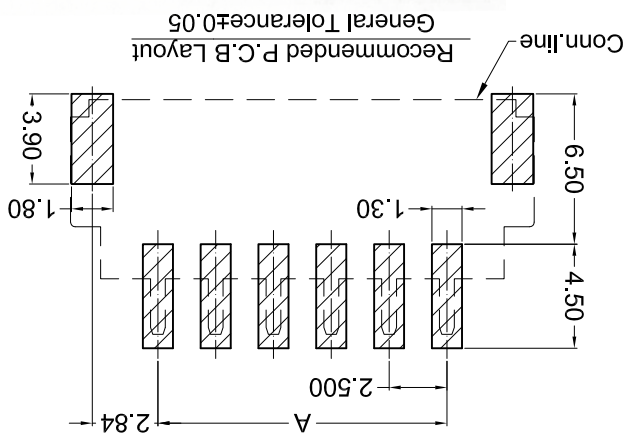
- Specifications :**
- Voltage rating: 250V AC / DC
  - Current rating: 3A AC / DC
  - Withstanding voltage: 1000V AC/minute
  - Temperature range: -25°C~+85°C
  - Insulation resistance: ≥1000MΩ
  - Contact resistance: ≤10mΩ
  - After environmental testing: ≤20mΩ

MARK	DESCRIPTION	DATE	REVISED	APPROVED	UNSPECIFIED TOLERANCES	
					L > 63	± 0.5
△ X					16 < L ≤ 63	± 0.4
△ X					4 < L ≤ 16	± 0.3
△ X					L ≤ 4	± 0.2
					ANGULAR	± 5°

*For and on behalf of*  
**KXB INDUSTRIAL PRECISION CO., LIMITED**  
香港星坤工業精密有限公司

*Unauthorized Signature(s)*

REVISION	SHEET	WEIGHT	KXB INDUSTRIAL PRECISION CO., LIMITED			
A0	1/1	1.0g	DATE	DATE	DATE	DATE
			SCALE: N/A	VIEW: 	UNIT: mm	SIZE: A4
			MODEL TYPE: X8821WRS-XX-9TXXX	PART NO.:	2.50mm Crimp Style Connector	DWG NO.:



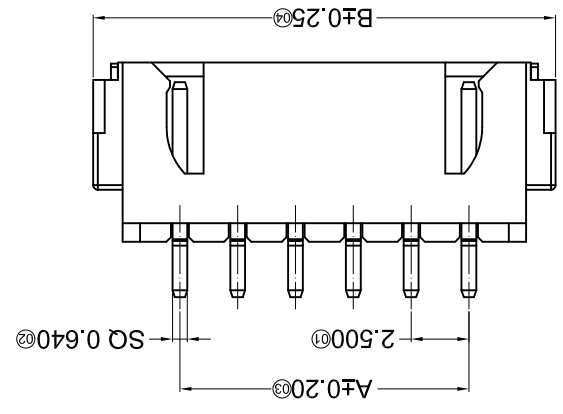
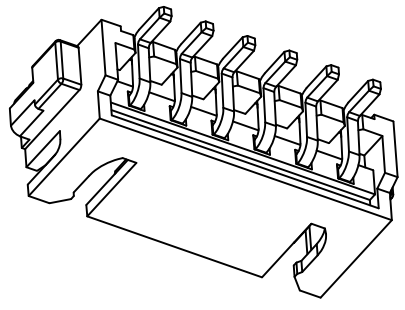
PART NO	Material	Solder(Pin And Tabs)	Finish(Pin)	Finish(Solder Tabs)	Suitable XKB Terminal
X8821WRS-XX-9T1V01	PA 9T UL 94V-0	Brass	Tin-Plated	Tin-Plated	X8821H
X8821WRS-XX-9T1V01		Gold Flash	Tin-Plated	Tin-Plated	

Poles	Dimensions (mm)		
	A	B	C
02	2.50	10.00	5.90
03	5.00	12.50	8.40
04	7.50	15.00	10.90
05	10.00	17.50	13.40
06	12.50	20.00	15.90
07	15.00	22.50	18.40
08	17.50	25.00	20.90
09	20.00	27.50	23.40

- ① Series No.  
② Category: W-WAFER  
③ Welding Board Angle: R-Right Angle 90°  
④ Welding Way: S-SMT  
⑤ Row No.-Pin No.: XX-02P~16P  
⑥ Plug the Pin & Special No.:  
⑦ Material: 9T -PA9T UL 94V-0  
⑧ Plating Category: SN-Bright Tin Plating  
⑨ Color : Blank-Natural Color

X8821 W R S-XX X-9T XX XX  
① ② ③ ④ ⑤ ⑥ ⑦ ⑧ ⑨

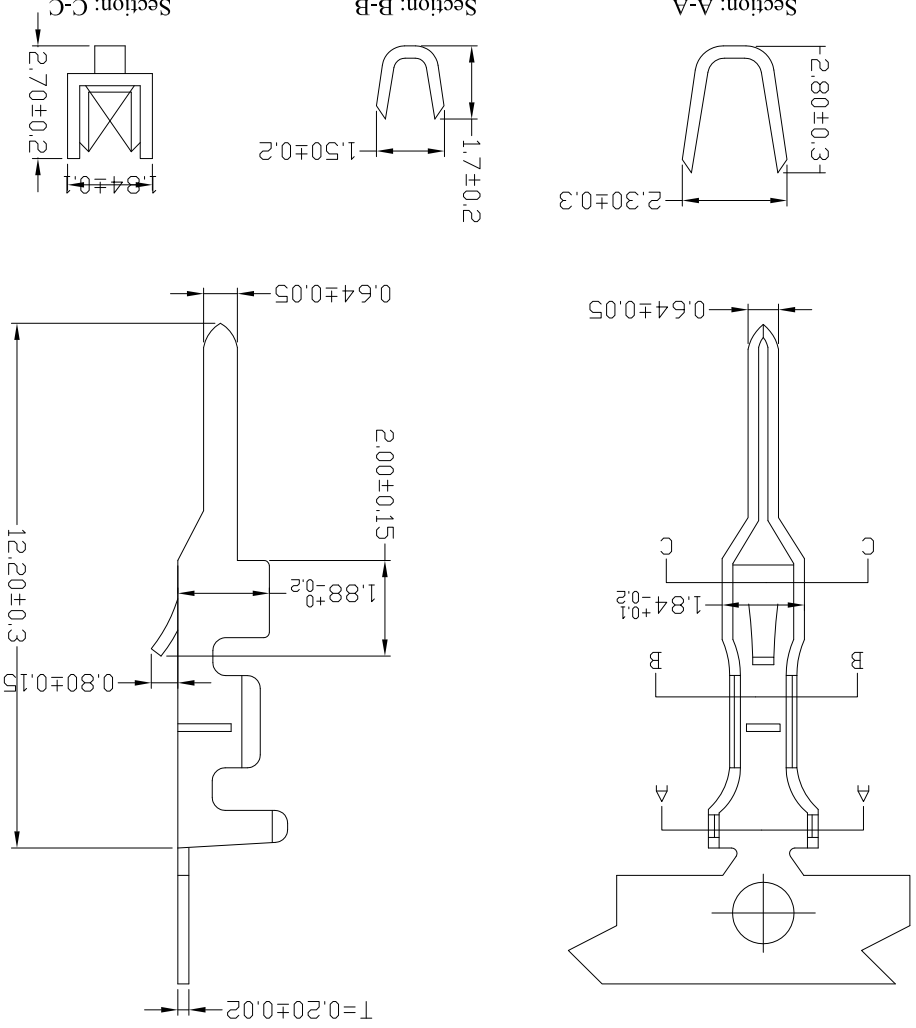
- Specifications :
- Voltage rating: 250V AC / DC
  - Current rating: 3A AC / DC
  - Withstanding voltage: 1000V AC/minute
  - Temperature range: -25°C~+85°C
  - Insulation resistance: ≥1000MΩ
  - Contact resistance: ≤10mΩ
  - After environmental testing: ≤20mΩ



REVISIONS		UNSPECIFIED TOLERANCES	
MARK	DESCRIPTION	DATE	APPROVED
△ X			
△ X			
△ X			
△ X			

For and on behalf of  
**XKB INDUSTRIAL PRECISION CO., LIMITED**  
 香港星坤工業精密有限公司

PART NO	Material	Wire Range	Insulation O.D.	Finish	Suitable XKB Terminal
X8821TM-PSN	Phosphor Bronze	AWG#22-26	1.90mm(Max)	Stamping Before Plating:30-50u" Ni;70-120u"Sn	X8821HF



**X8821 T M-P SN X-X**

- ① 系列  
 ② 类别:  
 T-端子  
 ③ 外观形态:  
 M-公端  
 ④ 材质:  
 P-磷铜

⑤ 电镀类别:G\*\*-镀金 V\*\*-镀全金

\*01-Gold Flash \*02-2U" \*03-3U" \*05-5U"  
 \*10-10U" \*15-15U" \*30-30U" \*50-50U"

SN-镀亮锡(70-120U") SN1-镀亮锡(120U"Min.)  
 0-素材 SW-镀雾锡

⑥ 电镀方式:

空码-先冲后镀 B-先镀后冲  
 ⑦ 型号/MARK及特殊码

- Specifications(规格):
- Voltage rating(额定电压): 250V AC / DC
  - Current rating(额定电流): 3A AC / DC
  - Withstanding voltage(耐压值): 1000V AC/minute
  - Temperature range(工作温度): -25°C~+85°C
  - Insulation resistance(绝缘电阻): ≥1000MΩ
  - Contact resistance(接触电阻): ≤10mΩ
  - After environmental testing(环境测试后): ≤20mΩ

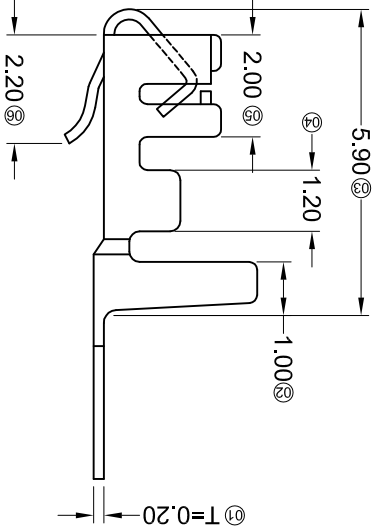
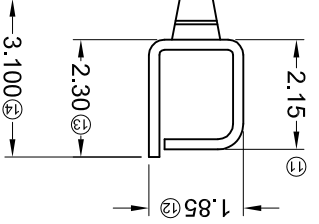
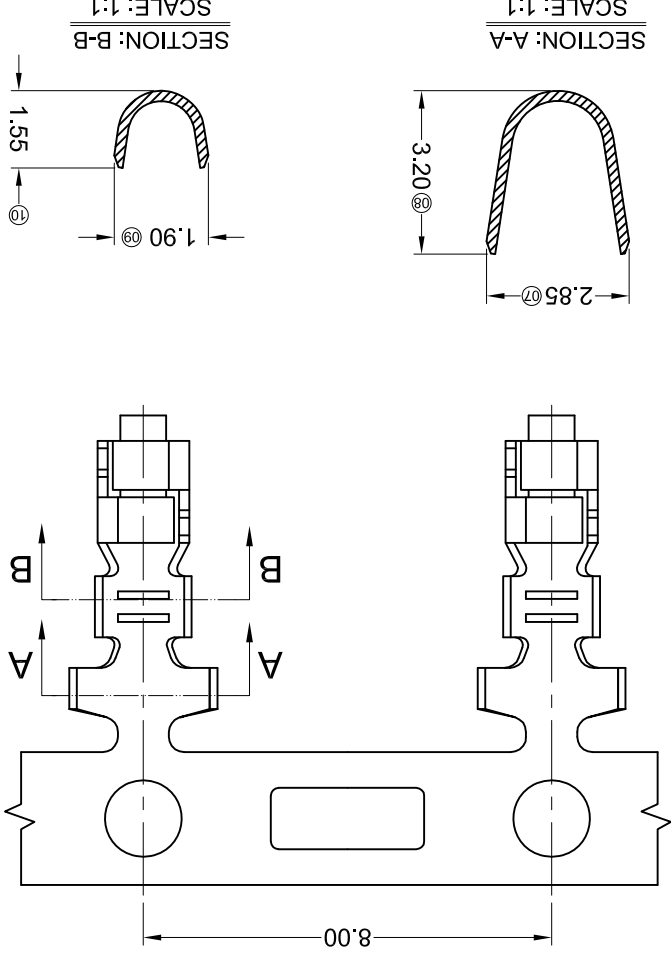
MODEL TYPE:	SCALE: N/A	DATE:	DATE:	DATE:	DATE:	DATE:	DATE:	DATE:
X8821TM-PSN								
PART NO.:	VIEW:	DATE:	DATE:	DATE:	DATE:	DATE:	DATE:	DATE:
2.50 mm Crimp Style connectors	UNIT: mm	DATE:	DATE:	DATE:	DATE:	DATE:	DATE:	DATE:
DWG NO.:	SIZE: A4	DATE:	DATE:	DATE:	DATE:	DATE:	DATE:	DATE:
REVISION	WEIGHT	SHEET	XKB INDUSTRIAL PRECISION CO., LIMITED					
A0	1.0g	1/1						

For and on behalf of  
**KXB INDUSTRIAL PRECISION CO., LIMITED**  
 香港星坤工業精密有限公司

Revisions Authorized Signatures(s)

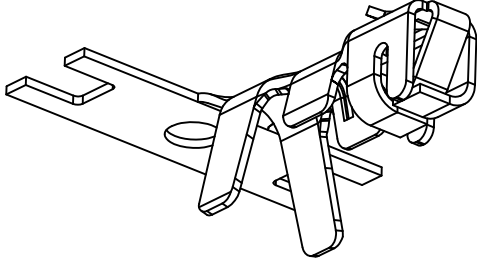
MARK	DESCRIPTION	DATE	REVISED	APPROVED	UNSPECIFIED TOLERANCES
△ X					L > 63 ± 0.5
△ X					16 < L ≤ 63 ± 0.4
△ X					4 < L ≤ 16 ± 0.3
					L ≤ 4 ± 0.2
					ANGULAR ± 5°

REVISION	SHEET	WEIGHT	KXB INDUSTRIAL PRECISION CO., LIMITED			
A0	1/1	1.0g	DATE	DATE	DATE	DATE
			SCALE: N/A	VIEW:	PART NO.: X8821T-BSNB	MODEL TYPE: X8821T-BSNB
			UNIT: mm	2.50mm Crimp Style Connectors	DWG NO.:	
			SIZE: A4			



PART NO	MATERIAL	WIRE RANGE	INSULATION O.D.	FINISH	Suitable XKB Terminal
X8821T-BSN	Brass	AWG#22-26	1.90mm(Max)	Stamping Before Plating: 100° Ni: 70u" Sn	X8821H
X8821T-BSNB	Phosphor Bronze			Stamping Before Plating: 300° Ni: 70u" Sn	
X8821T-PSNB	Phosphor Bronze			Stamping Before Plating: 100° Ni: 40u" Sn	
X8821T-PSNB	Phosphor Bronze			Stamping Before Plating: 300° Ni: 70u" Sn	

- Specifications :
- Voltage rating: 250V AC / DC
  - Current rating: 3A AC / DC
  - Withstanding voltage: 1000V AC/minute
  - Temperature range: -25°C~+85°C
  - Insulation resistance: ≥1000MΩ
  - Contact resistance: ≤10mΩ
  - After environmental testing: ≤20mΩ
- X8821 T X-B SN X - X
- ① Series Number  
 ② Category: T-terminal  
 ③ Shape: Blank-ordinary  
 ④ Material: B-Brass P-Phosphor bronze  
 ⑤ Plating style: SN-Bright tin plating  
 ⑥ Plating method: Blank-stamping before plating  
 B-Plating before stamping  
 ⑦ Mold No./Mark/Special No.



REVISIONS  
Unauthorized Signature(s)

MARK	DESCRIPTION	DATE	REVISED	APPROVED	UNSPECIFIED TOLERANCES
△X					L > 63 ± 0.5
△X					16 < L ≤ 63 ± 0.4
△X					4 < L ≤ 16 ± 0.3
△X					L ≤ 4 ± 0.2
					ANGULAR ± 5°

For and on behalf of  
KKB INDUSTRIAL PRECISION CO., LIMITED  
香港星坤工業精密有限公司

DATE	SCALE: N/A	MODEL TYPE:	DWNG NO.:	REVISION
		X8821H-XX-N0	2.50mm Crimp style Connector	A0
			VIEW:	1/1
			UNIT: mm	
			SIZE: A4	
			DATE	
			DATE	
			DATE	

PART NO	Material	Suitable XKB Terminal	Suitable XKB Terminal
X8821H-XX-N0	Nylon 66 UL 94V-0	X8821T	X8821W, 8821HF

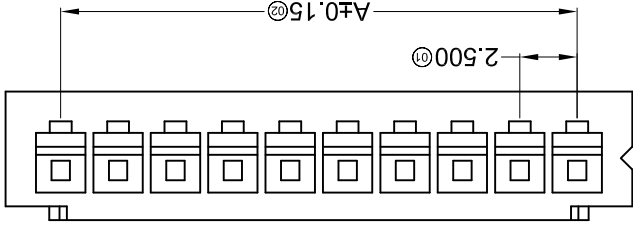
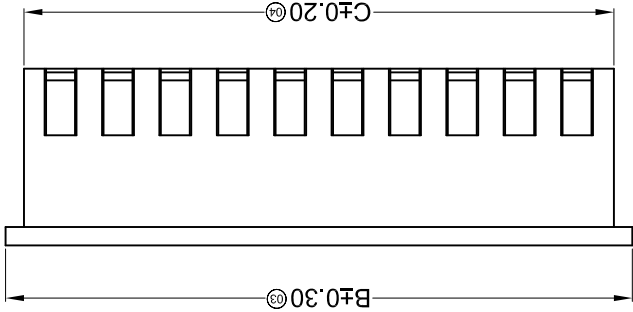
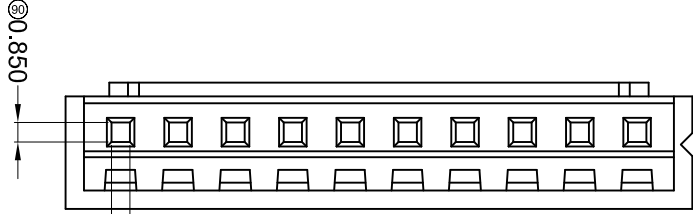
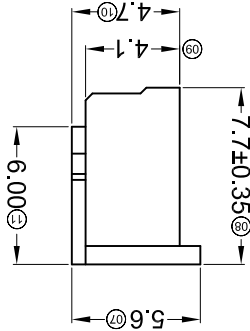
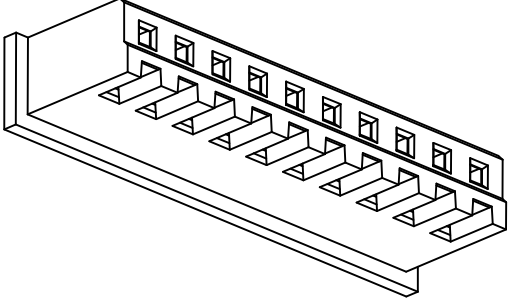
Poles	Dimensions(mm)		
	A	B	C
02	2.50	7.30	5.70
03	5.00	9.80	8.20
04	7.50	12.30	10.70
05	10.00	14.80	13.20
06	12.50	17.30	15.70
07	15.00	19.80	18.20
08	17.50	22.30	20.70
09	20.00	24.80	23.20

- ① Series No.
- ② Category: H-HSG
- ③ Appearance type: Blank-Ordinary
- ④ Row No.-Pin No.: XX-Single Row
- ⑤ Plug the Pin & Special No. Blank-Ordinary
- ⑥ Material: N0-PA66 94V-0 N2-PA66 94V-2
- ⑦ Color: Blank : Natural Color

X8821 H X-XX X-N0 XX  
① ② ③ ④ ⑤ ⑥ ⑦

- Voltage rating: 250V AC / DC
- Current rating: 3A AC / DC
- Withstanding voltage: 1000V AC/minute
- Temperature range: -25°C~+85°C
- Insulation resistance: ≥1000MΩ
- Contact resistance: ≤10mΩ
- After environmental testing: ≤20mΩ

Specifications :



For and on behalf of  
**XKB INDUSTRIAL PRECISION CO., LIMITED**  
 香港星坤工業精密有限公司

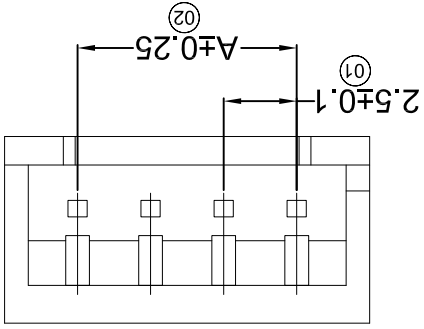
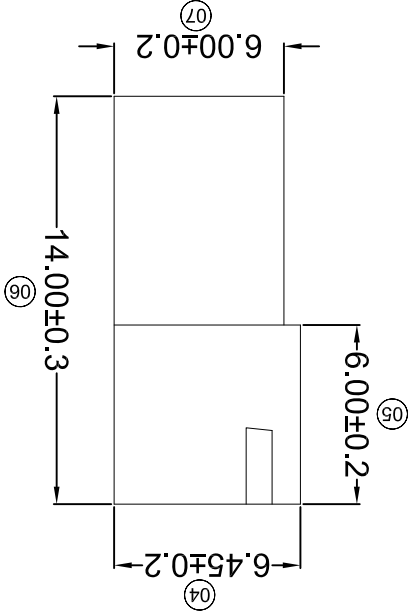
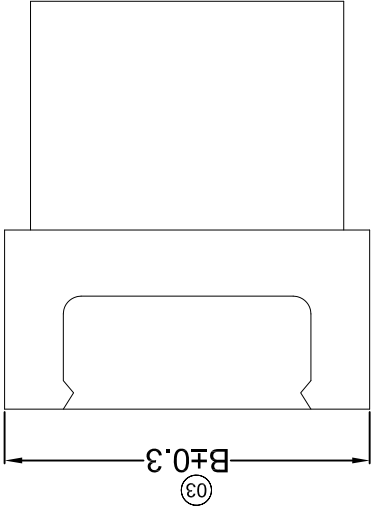
REVISIONS  
 Authorized Signature(s)

MARK	DESCRIPTION	DATE	REVISED	APPROVED	UNSPECIFIED TOLERANCES
△X					L > 63
△X					16 < L ≤ 63
△X					4 < L ≤ 16
					L ≤ 4
					ANGULAR
					± 5°

REVISION	SHEET	WEIGHT	DATE	DATE	DATE	DATE	DATE	DATE	DATE
A0	1/1	1.0g							

**XKB INDUSTRIAL PRECISION CO., LIMITED**

MODEL TYPE:	SCALE: N/A	DATE
X8821HF-XX-N0		
PART NO.:	VIEW:	DATE
2.50 mm Crimp style Connector		
DWG NO.:	UNIT: mm	DATE
SIZE: A4		DATE



**X8821 H F-XX X-N0 XX**

① Series No.

② Category: H-HSG

③ Appearance type: F-Female

④ Row No.-Pin No.: XX-Single Row

⑤ Plug the Pin & Special No. Blank-Ordinary

⑥ Material: N0-PA66 94V-0 N2-PA66 94V-2

⑦ Color: Blank: Natural Color

Poles	Dimensions (mm)	
	A	B
02	2.50	7.50
03	5.00	10.00
04	7.50	12.50
05	10.00	15.00
06	12.50	17.50
07	15.00	20.00
08	17.50	22.50
09	20.00	25.00
10	22.50	27.50
11	25.00	30.00
12	27.50	32.50
13	30.00	35.00
14	32.50	37.50
15	35.00	40.00
16	37.50	42.50
17	40.00	45.00
18	42.50	47.50
19	45.00	50.00
20	47.50	52.50

PART NO	Material	Suitable XKB Terminal	Suitable XKB Terminal
X8821HF-XX-N0	Nylon 66 UL 94V-0	X8821TM	X8821W、8821H

**Specifications:**

- Voltage rating: 250V AC / DC
- Current rating: 3A AC / DC
- Withstanding voltage: 1000V AC/minute
- Temperature range: -25°C~+85°C
- Insulation resistance: ≥1000MΩ
- Contact resistance: ≤10mΩ
- After environmental testing: ≤20mΩ

## X-ON Electronics

Largest Supplier of Electrical and Electronic Components

*Click to view similar products for [Headers & Wire Housings](#) category:*

*Click to view products by [XKB](#) manufacturer:*

Other Similar products are found below :

[95000-104TRLF](#) [10135584-644402LF](#) [DF62W-EP2022PCA](#) [95000-106TRLF](#) [DF62W-2022SCA](#) [DF62W-EP2022PC](#) [2203348](#) [DF62W-2022SC](#) [1084018](#) [1029039](#) [1084017](#) [802-10-012-10-002000](#) [1112640](#) [1112639](#) [891-007-9SS-BST1T](#) [000-34000](#) [0008550134](#) [0009482033](#) [0009507031](#) [57102-F02-18ULF](#) [57102-S06-03LF](#) [57202-S52-04LF](#) [PCN6-15S-2.5E](#) [0039019024](#) [58102-G61-06LF](#) [582553-1](#) [0009485154](#) [0009508121](#) [0022285053](#) [0050291907](#) [018731A](#) [LY20-4P-DT1-P1E-BR](#) [02.125.8002.8](#) [60101931](#) [60598-1 \(Cut Strip\)](#) [M1625-3R/100](#) [61062-3](#) [61082-181009](#) [CSU011177004](#) [636-1427](#) [638009-1](#) [641938-9](#) [641991-4](#) [644168-1](#) [644827-2](#) [647662-1](#) [65039-019ELF](#) [65692-001LF](#) [65781-018](#) [65781-047](#)