

For and on behalf of
XKB INDUSTRIAL PRECISION CO., LIMITED
 香港星坤工業精密有限公司

Revisions (Authorized Signatures)

MARK	DESCRIPTION	DATE	REVISED	APPROVED	UNSPECIFIED TOLERANCES
△ X					L > 63 ± 0.5
△ X					16 > L ≤ 63 ± 0.4
△ X					4 > L ≤ 16 ± 0.3
△ X					L ≤ 4 ± 0.2
					ANGULAR ± 5°

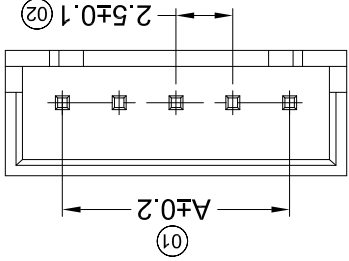
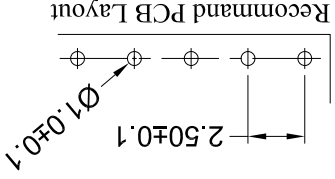
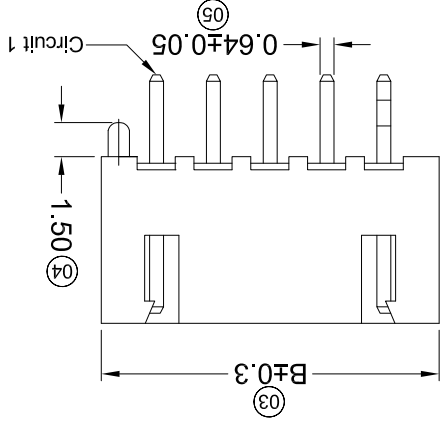
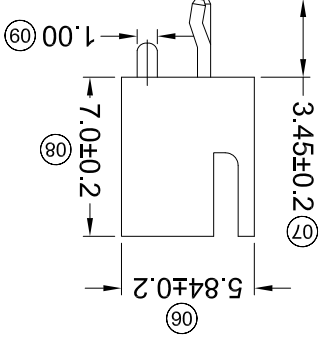
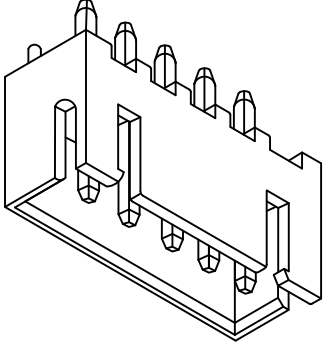
REVISION	SHEET	WEIGHT	SIZE: A4	DATE	DATE	DATE	DATE	DATE
A0	1/1	1.0g						

XKB INDUSTRIAL PRECISION CO., LIMITED

PART NO	Material	Material(Pin)	Finish(Pin)	Suitable XKB Terminal
X8821WV-XXKS-N0SN	Nylon 66 UL 94V-0	Brass	Tin-Plated	X8821H

Dimensions (mm)	A	B
02	2.50	7.50
03	5.00	10.00
04	7.50	12.50
05	10.00	15.00
06	12.50	17.50
07	15.00	20.00
08	17.50	22.50
09	20.00	25.00
10	22.50	27.50
11	25.00	30.00
12	27.50	32.50
13	30.00	35.00
14	32.50	37.50
15	35.00	40.00
16	37.50	42.50
17	40.00	45.00
18	42.50	47.50
19	45.00	50.00
20	47.50	52.50

- ① Series No. X8821 W V X-XX KS -N0 SN XX
- ② Category: W-WAFER
- ③ Welding Board Angle: V-180° ; R-90°
- ④ Welding Way: Blank-DIP ; S-SMT
- ⑤ Row No.-Pin No.: XX-Single Row ; 2*XX-Double Row
- ⑥ Plug the Pin & Special No.: Blank-Without Kink ; K-With Kink
- ⑦ Material: N0 -PA66 94V-0
S-With Post
- ⑧ Plating Category: G**-Gold Plated Contact
V**- All Gold-Plated
01-Gold Flash 02-2u" 03-3u"
05-5u" 10-10u" 15-15u"
SN-Bright Tin Plating (70u")
SN1-Bright Tin Plating (120u" Min).
0-No Plating Material
SW- Fog Tin Plating
HS-Hight temperature Tin
- ⑨ Color : Blank-Natural Color ;



- Specifications :**
- Voltage rating: 250V AC / DC
 - Current rating: 3A AC / DC
 - Withstanding voltage: 1000V AC/minute
 - Temperature range: -25°C~+85°C
 - Insulation resistance: ≥1000MΩ
 - Contact resistance: ≤10mΩ
 - After environmental testing: ≤20mΩ

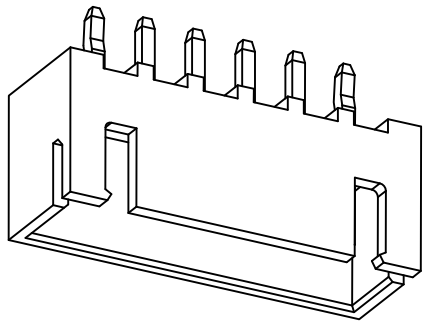
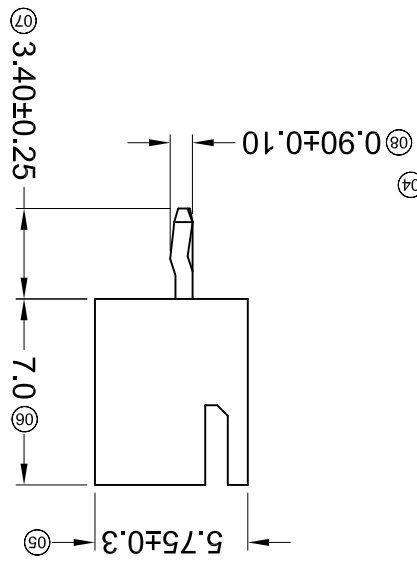
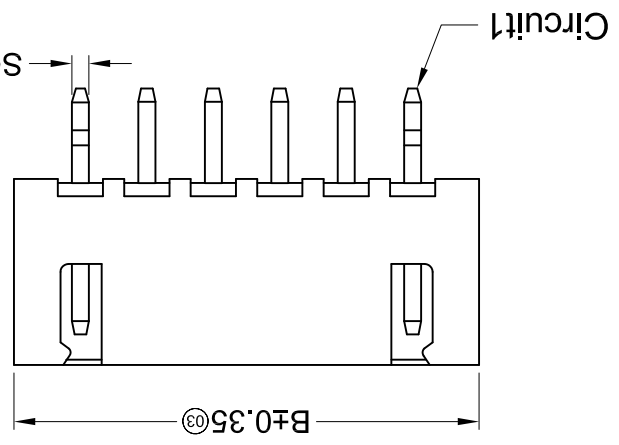
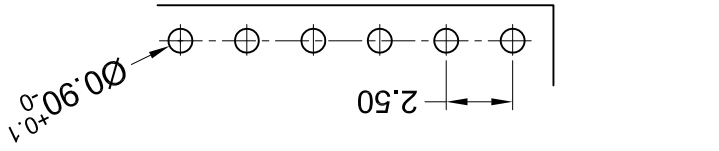
For and on behalf of
XKB INDUSTRIAL PRECISION CO., LIMITED
 香港星坤工業精密有限公司

REVISIONS
 Authorized Signature(s)

MARK	DESCRIPTION	DATE	REVISED	APPROVED	UNSPECIFIED TOLERANCES
△X					L > 63 ±0.5
△X					16 > L ≤ 63 ±0.4
△X					4 < L ≤ 16 ±0.3
					L ≤ 4 ±0.2
					ANGULAR ±5°

DATE	SCALE: N/A	MODEL TYPE:	DWNT	VIEW:	PART NO.:	CHKD	UNIT: mm	SIZE: A4	WEIGHT	REVISION
		X8821WV-XXK-N0SN		VIEW: ①	X8821WV-XXK-N0SN				1.0g	A0

PART NO	Material	Material(Pin)	Finish(Pin)	Suitable XKB Terminal
X8821WV-XXK-N0SN	Nylon 66 UL 94V-0	Brass	Tin-Plated	X8821H



Poles	Dimensions(mm)	
	A	B
02	2.50	7.50
03	5.00	10.00
04	7.50	12.50
05	10.00	15.00
06	12.50	17.50
07	15.00	20.00
08	17.50	22.50
09	20.00	25.00
10	22.50	27.50
11	25.00	30.00

- ① Series No.
 ② Category: W-WAFER
 ③ Welding Board Angle: V-Stringht 180°
 ④ Welding Way: Blank-DIP;
 ⑤ Row No.-Pin No.: XX-Single Row;
 ⑥ Plug the Pin & Special No.: K-KINK
 ⑦ Material: NO -PA66 94V-0
 ⑧ Plating Category: SN-Bright Tin Plating
 ⑨ Color: Blank-Natural Color
- X8821 W V X-XX K-N0 SN XX
 ① ② ③ ④ ⑤ ⑥ ⑦ ⑧ ⑨

- Specifications:
- Voltage rating: 250V AC / DC
 - Current rating: 3A AC / DC
 - Withstanding voltage: 1000V AC/minute
 - Temperature range: -25°C~+85°C
 - Insulation resistance: ≥1000MΩ
 - Contact resistance: ≤10mΩ
 - After environmental testing: ≤20mΩ

For and on behalf of
XKB INDUSTRIAL PRECISION CO., LIMITED
 香港星坤工業精密有限公司

Authorized Signatures(s)

MARK	DESCRIPTION	DATE	REVISID	APPROVED	UNSPECIFIED TOLERANCES
△X					L > 63 ±0.5
△X					16 < L ≤ 63 ±0.4
△X					4 < L ≤ 16 ±0.3
					L ≤ 4 ±0.2
					ANGULAR ±5°

REVISION	SHEET	WEIGHT	XKB INDUSTRIAL PRECISION CO., LIMITED			
A0	1/1	1.0g				

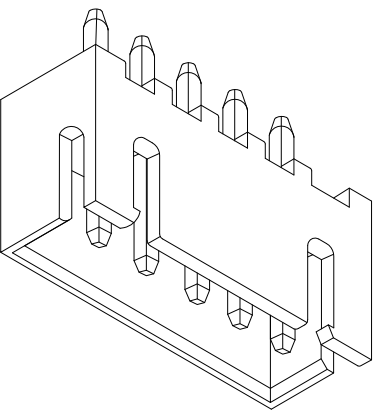
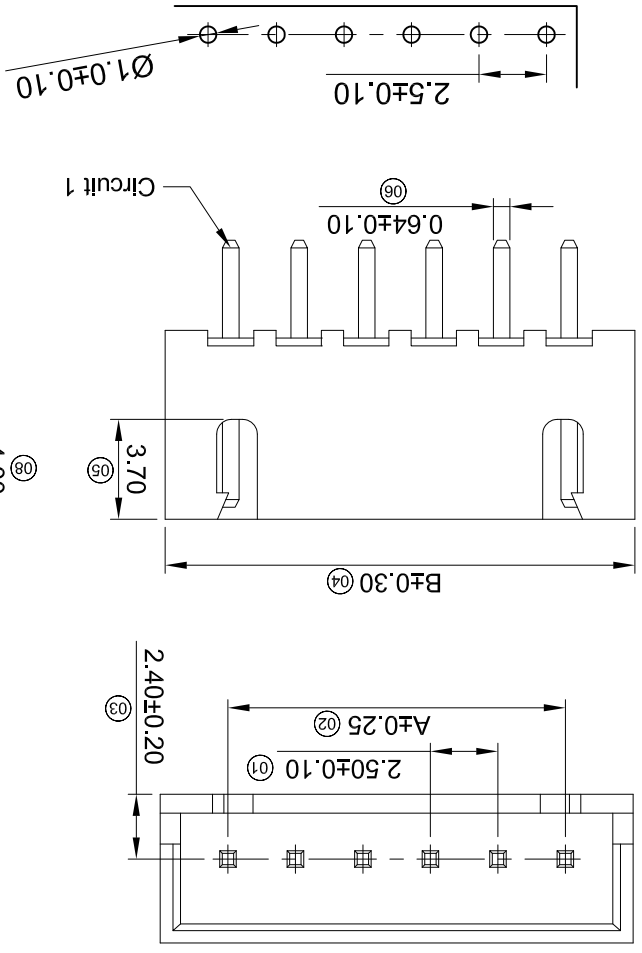
DNSD	DATE	SCALE: N/A	MODEL TYPE: X8821WV-XX-N0XX

DWN	DATE	VIEW:	PART NO.: 2.50 mm Crimp style Connector

CHKD	DATE	UNIT: mm	DWG NO.:

APPD	DATE	SIZE: A4

Recommend PCB Layout



X8821 W V X-XX X-N0 XX XX

- ① Series No.
- ② Category: W-WAFER
- ③ Welding Board Angle: V-180° ; R-90°
- ④ Welding Way: Blank-DIP ; S-SMT
- ⑤ Row No.-Pin No.: XX-Single Row ; 2*XX-Double Row
- ⑥ Plug the Pin & Special No.:
- ⑦ Material: N0-PA66 94V-0
- ⑧ Plating Category: G**-Gold Plated Contact
- ⑨ V**- All Gold-Plated
- 01-Gold flash 02-2u" 03-3u"
- 05-5u" 10-10u" 15-15u"
- SN-Bright Tin Plating (70u")
- SN-1-Bright Tin Plating (120u" Min).
- 0-No Plating Material
- SW-Fog Tin Plating
- HS-Hight temperature Tin
- ⑩ Color : Blank-Natural Color ;

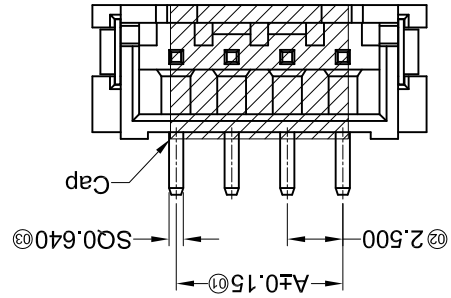
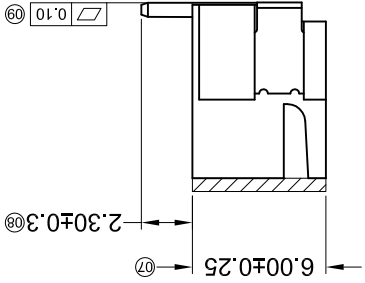
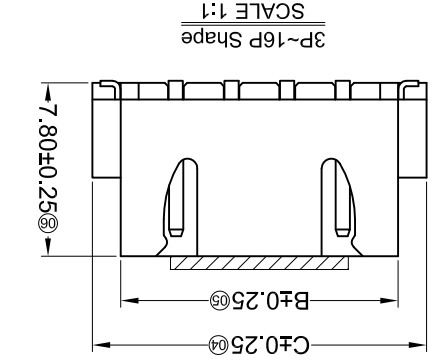
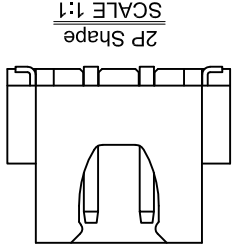
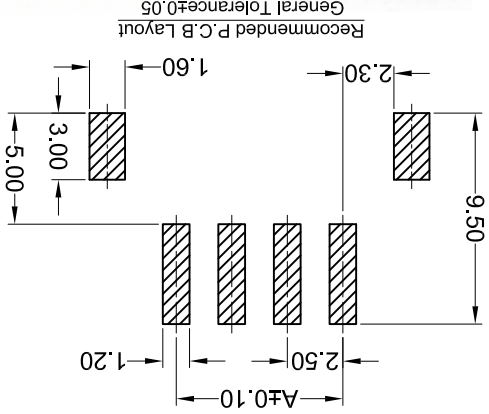
Dimensions (mm)	A	B
02	2.50	7.50
03	5.00	10.00
04	7.50	12.50
05	10.00	15.00
06	12.50	17.50
07	15.00	20.00
08	17.50	22.50
09	20.00	25.00
10	22.50	27.50
11	25.00	30.00
12	27.50	32.50
13	30.00	35.00
14	32.50	37.50
15	35.00	40.00
16	37.50	42.50
17	40.00	45.00
18	42.50	47.50
19	45.00	50.00
20	47.50	52.50

- Specifications :**
- Voltage rating: 250V AC / DC
 - Current rating: 3A AC / DC
 - Withstanding voltage: 1000V AC/minute
 - Temperature range: -25°C~+85°C
 - Insulation resistance: ≥1000MΩ
 - Contact resistance: ≤10mΩ
 - After environmental testing: ≤20mΩ

For and on behalf of
XKB INDUSTRIAL PRECISION CO., LIMITED
 香港星坤工業精密有限公司

MARK	DESCRIPTION	DATE	REVISED	APPROVED	UNSPECIFIED TOLERANCES
△X					$L > 63$ ± 0.5
△X					$16 < L \leq 63$ ± 0.4
△X					$4 < L \leq 16$ ± 0.3
					$L \leq 4$ ± 0.2
					ANGULAR $\pm 5^\circ$

REVISION	SHEET	WEIGHT	XKB INDUSTRIAL PRECISION CO., LIMITED			
A0	1/1	1.0g				
			SIZE: A4	DATE	DATE	DATE
			UNIT: mm	DATE	DATE	DATE
			VIEW:	DATE	DATE	DATE
			PART NO.: X8821WVS-XX-9T-SN	SCALE: N/A	DATE	DATE
			DWG NO.: 2.50mm Crimp Style Connectors	MODEL TYPE: X8821WVS-XX-9T-SN		



Poles	A	B	C	Dimensions(mm)
02	2.50	7.45	10.00	27.45
03	5.00	9.95	12.50	29.95
04	7.50	12.45	15.00	32.45
05	10.00	14.95	17.50	34.95
06	12.50	17.45	20.00	37.45
07	15.00	19.95	22.50	39.95
08	17.50	22.45	25.00	42.45
09	20.00	24.95	27.50	45.00

PART NO	Material	Material(Fin)	Finish(Fin)	Material(Solder Tabs)	Finish(Solder Tabs)	Suitable XKB Terminal
X8821WVS-XX-9T-SN	PA9T UL 94V-0	Brass	Tin-plated	Phosphore Bronze	Tin-plated	x8821H

- ① Series No. X8821 W V S-XX X-9T SN XX
 ② Category: W-WAFER
 ③ Welding Board Angle: V-180°
 ④ Welding Way: S-SMT
 ⑤ Row No.-Pin No.: XX-Single Row
 ⑥ Plug the Pin & Special No.:
 ⑦ Material: 9T -PA9T 94V-0
 ⑧ Plating Category: SN-Bright Tin Plating
 ⑨ Color: Blank-Natural Color

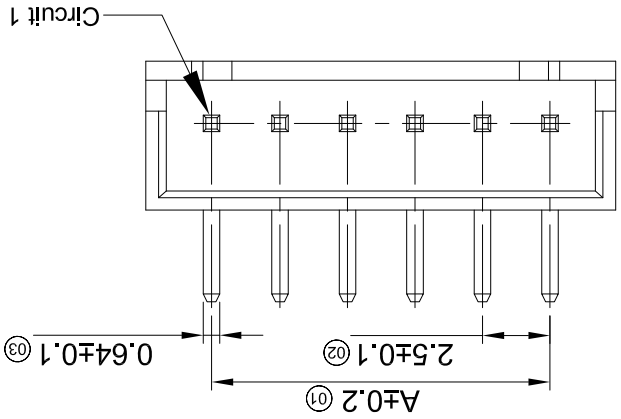
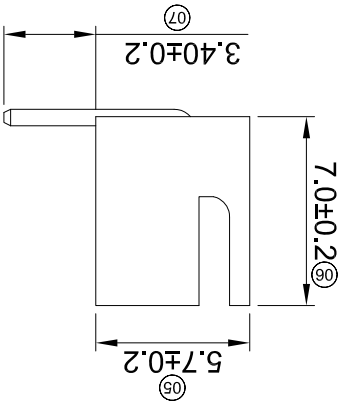
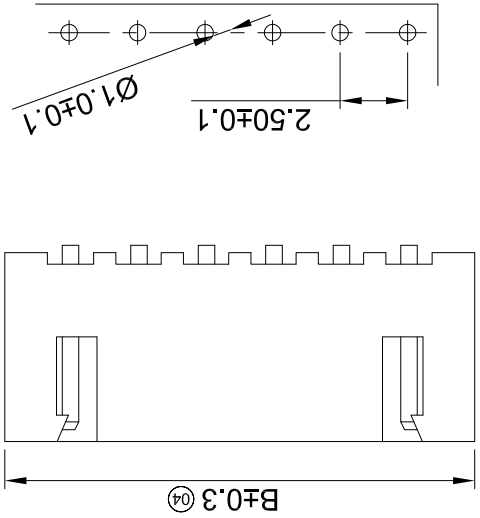
- Specifications:
- Voltage rating: 250V AC / DC
 - Current rating: 3A AC / DC
 - Withstanding voltage: 1000V AC/minute
 - Temperature range: -25°C~+85°C
 - Insulation resistance: ≥1000MΩ
 - Contact resistance: ≤10mΩ
 - After environmental testing: ≤20mΩ

For and on behalf of
KXB INDUSTRIAL PRECISION CO., LIMITED
 香港星坤工業精密有限公司

MARK	DESCRIPTION	DATE	REVISED	APPROVED	UNSPECIFIED TOLERANCES
△X					L > 63
△X					16 < L ≤ 63
△X					4 < L ≤ 16
					L ≤ 4
					ANGULAR
					± 5°

REVISION	SHEET	WEIGHT	SIZE: A4	DATE	DATE	DATE	DATE
A0	1/1	1.0g					

Recommend PCB Layout



PART NO	Material	Material(Pin)	Finish(Pin)	Suitable XKB Terminal
X8821WR-XXS-N0SN	Nylon 66 UL 94V-0	Brass	Tin-Plated	X8821H

Dimensions (mm)	A	B
02	2.50	7.50
03	5.00	10.00
04	7.50	12.50
05	10.00	15.00
06	12.50	17.50
07	15.00	20.00
08	17.50	22.50
09	20.00	25.00
10	22.50	27.50
11	25.00	30.00
12	27.50	32.50
13	30.00	35.00
14	32.50	37.50
15	35.00	40.00
16	37.50	42.50
17	40.00	45.00
18	42.50	47.50
19	45.00	50.00
20	47.50	52.50

- X8821 W R X-XX S-N0 SN XX**
- ① Series No.
 - ② Category: W-WAFER
 - ③ Welding Board Angle: V-180°; R-90°
 - ④ Welding Way: Blank-DIP; S-SMT
 - ⑤ Row No.-Pin No.: XX-Single Row; 2*XX-Double Row
 - ⑥ Plug the Pin & Special No.: S-No Positioning
 - ⑦ Material: N0 -PA66 94V-0 N2-PA66 94V-2
 - ⑧ Plating Category: G*-Gold Plated Contact
 - ⑨ V*- All Gold-Plated
 - ⑩ 01-1u" 02-2u" 03-3u"
 - ⑪ 05-5u" 10-10u" 15-15u"
 - ⑫ SN-Bright Tin Plating (70u")
 - ⑬ SN1-Bright Tin Plating (120u" Min).
 - ⑭ 0-No Plating Material
 - ⑮ SW-Fog Tin Plating
 - ⑯ HS-Hight temperature Tin
 - ⑰ Color: Blank-Natural Color

- Specifications:**
- Voltage rating: 250V AC / DC
 - Current rating: 3A AC / DC
 - Withstanding voltage: 1000V AC/minute
 - Temperature range: -25°C~+85°C
 - Insulation resistance: ≥1000MΩ
 - Contact resistance: ≤10mΩ
 - After environmental testing: ≤20mΩ

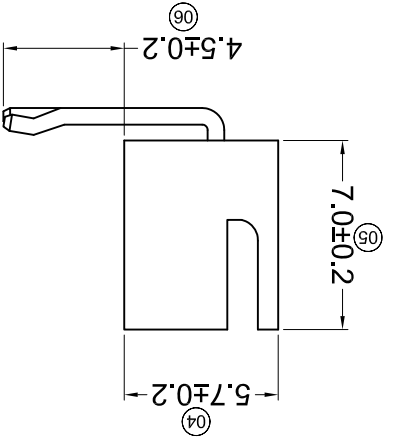
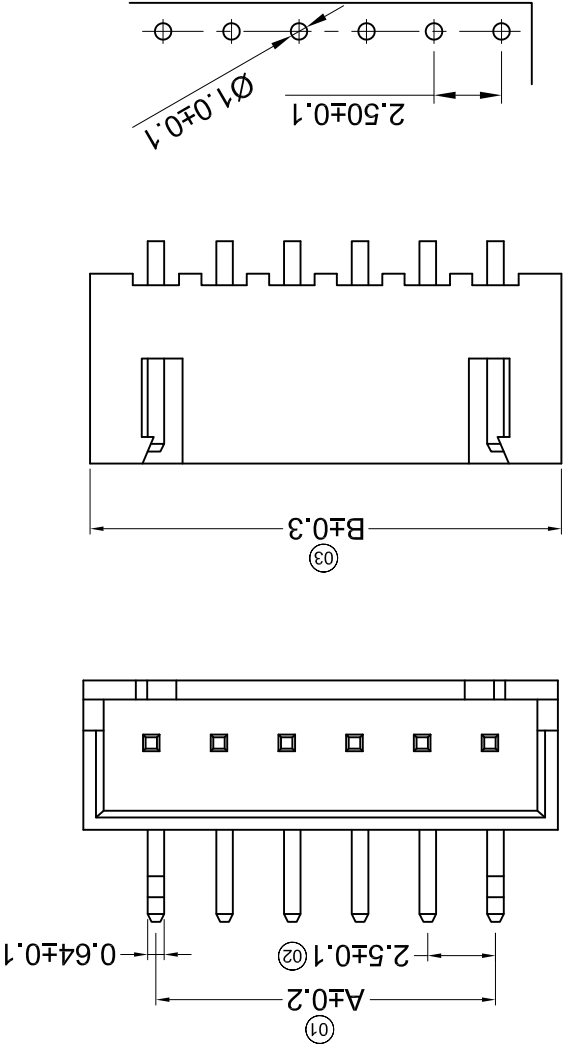
For and on behalf of
KXB INDUSTRIAL PRECISION CO., LIMITED
 香港星坤工業精密有限公司

Unauthorized Signatures(s)

MARK	DESCRIPTION	DATE	REVISED	APPROVED	UNSPECIFIED TOLERANCES
△ X					L > 63
△ X					16 < L ≤ 63
△ X					4 < L ≤ 16
△ X					L ≤ 4
					ANGULAR ± 5°

DATE	SCALE: N/A	MODEL TYPE:
DNSD		X8821WR-XXKS-N0SN
DWN		PART NO.: X8821WR-XXKS-N0SN
CHKD		VIEW: PART NO.: X8821WR-XXKS-N0SN
APPD		UNIT: mm
		SIZE: A4
		WEIGHT 1.0g
		SHEET 1/1
		REVISION A0

Recommend PCB Layout



PART NO	Material	Material(Pin)	Finish(Pin)	Suitable XKB Terminal
X8821WR-XXKS-N0SN	Nylon 66 UL 94V-0	Brass	Tin-Plated	X8821H

Dimensions (mm)	A	B
02	2.50	7.50
03	5.00	10.00
04	7.50	12.50
05	10.00	15.00
06	12.50	17.50
07	15.00	20.00
08	17.50	22.50
09	20.00	25.00
10	22.50	27.50
11	25.00	30.00
12	27.50	32.50
13	30.00	35.00
14	32.50	37.50
15	35.00	40.00
16	37.50	42.50
17	40.00	45.00
18	42.50	47.50
19	45.00	50.00
20	47.50	52.50

- X8821 W R X-XX KS -N0 SN XX
- ① Series No.
 - ② Category : W-WAFER
 - ③ Welding Board Angle : V-180° ; R-90°
 - ④ Welding Way : Blank-DIP ; S-SMT
 - ⑤ Row No.-Pin No. : XX-Single Row ; 2*XX-Double Row
 - ⑥ Plug the Pin & Special No. : KS- With kink and No Positioning
 - ⑦ Material : N0 -PA66 94V-0 N2-PA66 94V-2
 - ⑧ Plating Category : G*-Gold Plated Contact
 - ⑨ V*- All Gold-Plated
 - ⑩ 01-Gold Flash 02-2u" 03-3u" 05-5u" 10-10u" 15-15u"
 - ⑪ SN-Bright Tin Plating (70u")
 - ⑫ SN1-Bright Tin Plating (120u" Min).
 - ⑬ 0-No Plating Material
 - ⑭ SW-Fog Tin Plating
 - ⑮ HS-Hight temperature Tin
 - ⑯ Color : Blank-Natural Color ;

- Specifications :**
- Voltage rating: 250V AC / DC
 - Current rating: 3A AC / DC
 - Withstanding voltage: 1000V AC/minute
 - Temperature range: -25°C~+85°C
 - Insulation resistance: ≥1000MΩ
 - Contact resistance: ≤10mΩ
 - After environmental testing: ≤20mΩ

For and on behalf of
XKB INDUSTRIAL PRECISION CO., LIMITED
 香港星坤工業精密有限公司

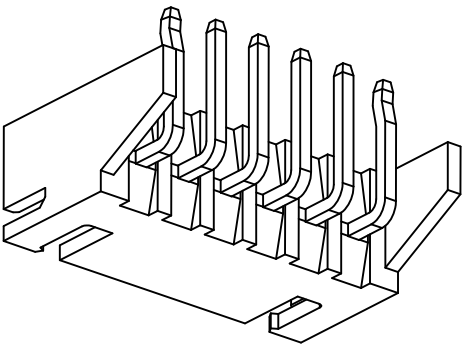
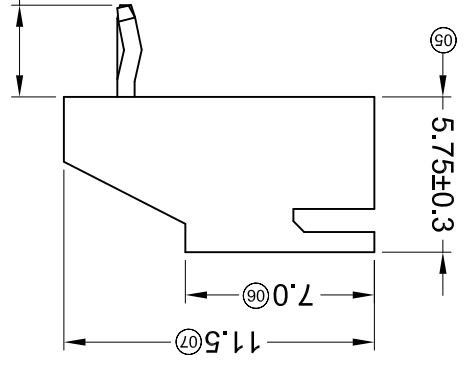
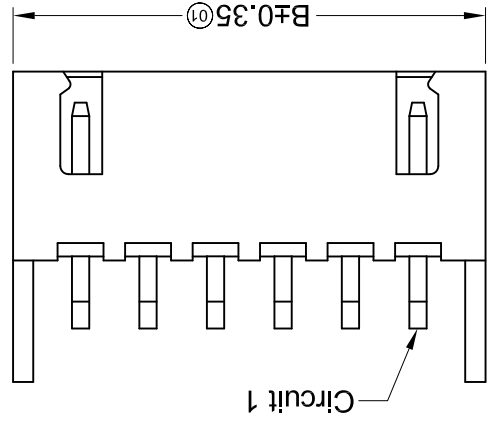
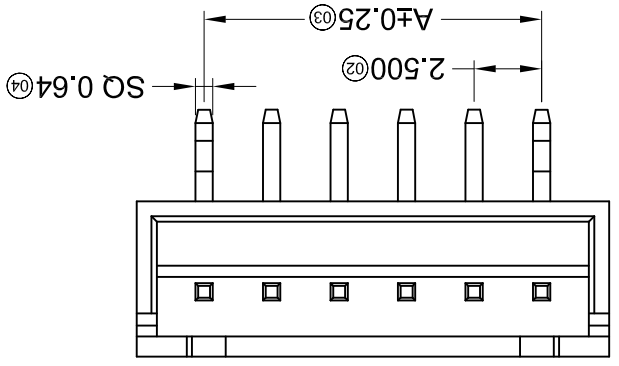
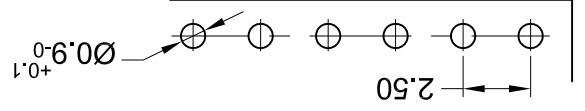
REVISIONS
 Authorized Signature(s)

MARK	DESCRIPTION	DATE	REVISED	APPROVED	UNSPECIFIED TOLERANCES
△X					L > 63 ±0.5
△X					16 < L ≤ 63 ±0.4
△X					4 < L ≤ 16 ±0.3
△X					L ≤ 4 ±0.2
					ANGULAR ±5°

REVISION	SHEET	WEIGHT	XKB INDUSTRIAL PRECISION CO., LIMITED		
A0	1/1	1.0g	SIZE: A4	DATE	DATE
			UNIT: mm	DATE	DATE
			VIEW:	DATE	DATE
			SCALE: N/A	DATE	DATE
			MODEL TYPE: X8821WR-XXK-N0SN		
			PART NO.: 2.50mm Crimp style Connector		
			DWG NO.:		

PART NO	Material	Material(Pin)	Finish(Pin)	Suitable XKB Terminal
X8821WR-XXK-N0SN	Nylon 66 UL 94V-0	Brass	Tin-Plated	X8821H
X8821WR-XXK-N2SN	Nylon 66 UL 94V2	Brass	Tin-Plated	X8821H

Recommended P.C.B Layout
 General Tolerance±0.05



Poles	Dimensions(mm)		Poles	A	B
	A	B			
02	2.50	7.50	12	27.50	32.50
03	5.00	10.00	13	30.00	35.00
04	7.50	12.50	14	32.50	37.50
05	10.00	15.00	15	35.00	40.00
06	12.50	17.50	16	37.50	42.50
07	15.00	20.00	17	40.00	45.00
08	17.50	22.50	18	42.50	47.50
09	20.00	25.00	19	45.00	50.00
10	22.50	27.50	20	47.50	52.50
11	25.00	30.00			

- ① Series No.
- ② Category: W-WAFER
- ③ Welding Board Angle: R-Right Angle 90°
- ④ Welding Way: Blank-DIP
- ⑤ Row No.-Pin No.: XX-Single Row
- ⑥ Plug the Pin & Special No.: K-KINK
- ⑦ Material: N0-PA66 94V-0 N2-PA66 94V-2
- ⑧ Plating Category: SN-Bright Tin Plating
- ⑨ Color: Blank-Natural Color

X8821 W R X-XX K-N0 SN XX
 ① ② ③ ④ ⑤ ⑥ ⑦ ⑧ ⑨

- Specifications :
- Voltage rating: 250V AC / DC
 - Current rating: 3A AC / DC
 - Withstanding voltage: 1000V AC/minute
 - Temperature range: -25°C~+85°C
 - Insulation resistance: ≥1000MΩ
 - Contact resistance: ≤10mΩ
 - After environmental testing: ≤20mΩ

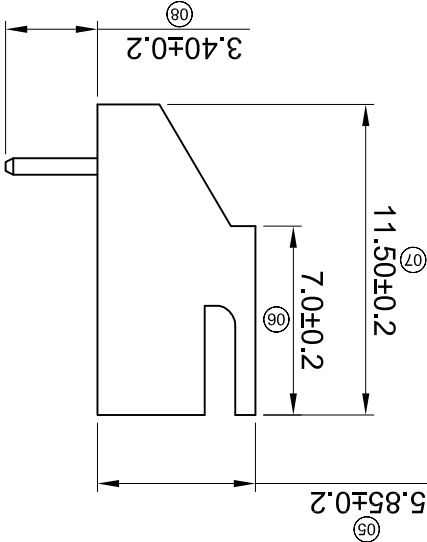
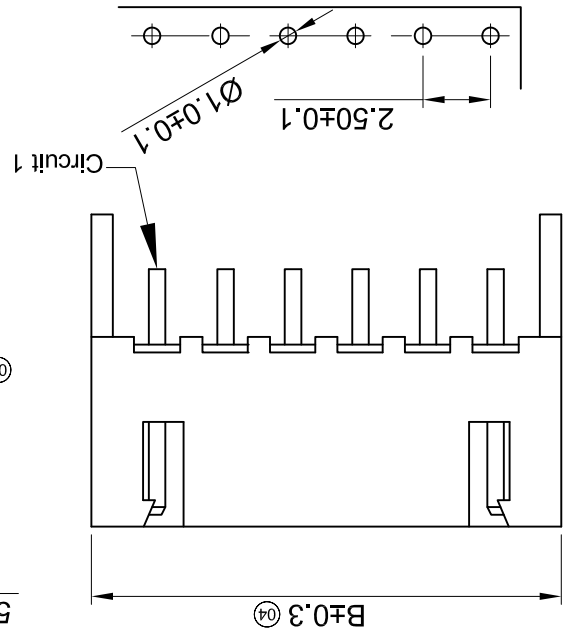
APPROVED		UNSPECIFIED TOLERANCES	
DATE	REVISIONS	DATE	DESCRIPTION
APPROVED	REVISI	APPROVED	MARK
REVISI	DATE	REVISI	△ X
DATE	DESCRIPTION	REVISI	△ X
APPROVED	REVISI	REVISI	△ X

For and on behalf of
KXB INDUSTRIAL PRECISION CO., LIMITED
 香港星坤工業精密有限公司

REVISION	SHEET	WEIGHT	KXB INDUSTRIAL PRECISION CO., LIMITED	
A0	1/1	1.0g	SIZE: A4	DATE
PART NO.: X8821WR-XX-N0SN			UNIT: mm	DATE
MODEL TYPE: X8821WR-XX-N0SN			VIEW:	DATE
SCALE: N/A			DATE	DATE

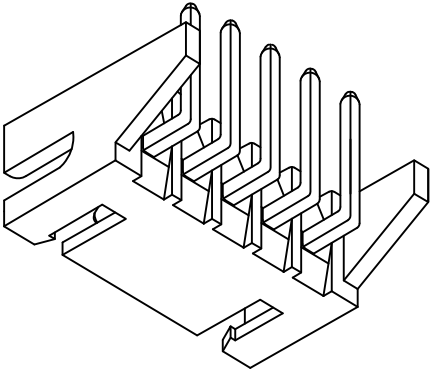
PART NO	Material	Material(Pin)	Finish(Pin)	Suitable XKB Terminal
X8821WR-XX-N0SN	Nylon 66 UL 94V-0	Brass	Tin-Plated	X8821H
X8821WR-XX-K-N2SN	Nylon 66 UL 94V2	Brass	Tin-Plated	X8821H

Recommend PCB Layout



Poles	A	B
Dimensions (mm)	2.50	7.50
	5.00	10.00
	7.50	12.50
	10.00	15.00
	12.50	17.50
	15.00	20.00
	17.50	22.50
	20.00	25.00
	22.50	27.50
	25.00	30.00
	27.50	32.50
	30.00	35.00
	32.50	37.50
	35.00	40.00
	37.50	42.50
	40.00	45.00
	42.50	47.50
	45.00	50.00
	47.50	52.50

- X8821 W R X-XX X -N0 SN XX
- Series No.
 - Category: W-WAFER
 - Welding Board Angle: V-180° ; R-90°
 - Welding Way: Blank-DIP ; S-SMT
 - Row No.-Pin No.: XX-Single Row ; 2*XX-Double Row
 - Plug the Pin & Special No.:
 - Material: N0 -PA66 94V-0 N2-PA66 94V-2
 - Plating Category: G**-Gold Plated Contact
 - V**- All Gold-Plated
 - 01-Gold Flash 02-2u" 03-3u"
 - 05-5u" 10-10u" 15-15u"
 - SN-Bright Tin Plating (70-120u")
 - SN-1 Bright Tin Plating (120u" Min).
 - 0-No Plating Material
 - SW-Fog Tin Plating
 - HS-Hight temperature Tin
 - Color : Blank-Natural Color ;



- Specifications :**
- Voltage rating: 250V AC / DC
 - Current rating: 3A AC / DC
 - Withstanding voltage: 1000V AC/minute
 - Temperature range: -25°C~+85°C
 - Insulation resistance: ≥1000MΩ
 - Contact resistance: ≤10mΩ
 - After environmental testing: ≤20mΩ

For and on behalf of
XKB INDUSTRIAL PRECISION CO., LIMITED
 香港星坤工業精密有限公司

MARK	DESCRIPTION	DATE	REVISIONS	UNSPECIFIED TOLERANCES
△X				L > 63 ±0.5
△X				16 < L ≤ 63 ±0.4
△X				4 < L ≤ 16 ±0.3
△X				L ≤ 4 ±0.2
				ANGULAR ±5°

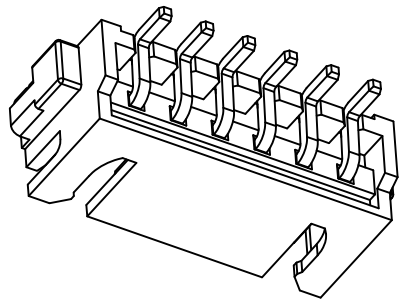
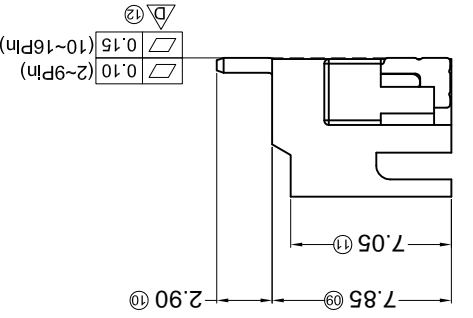
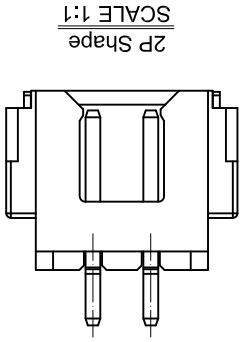
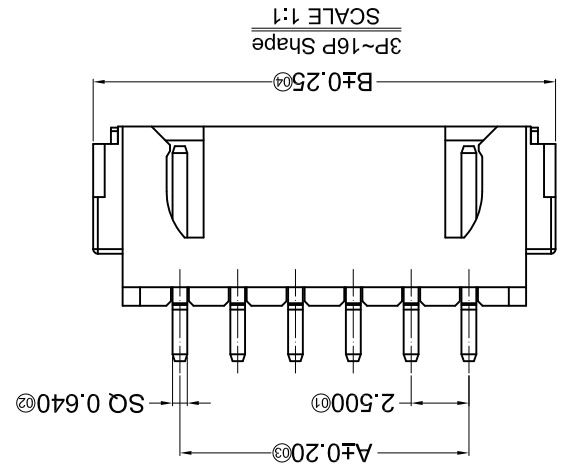
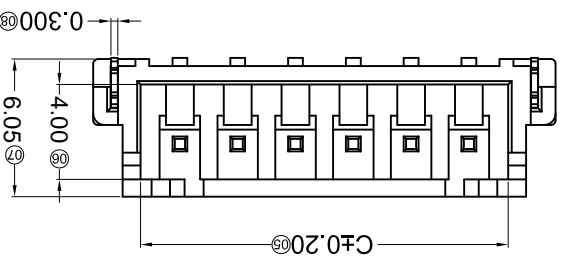
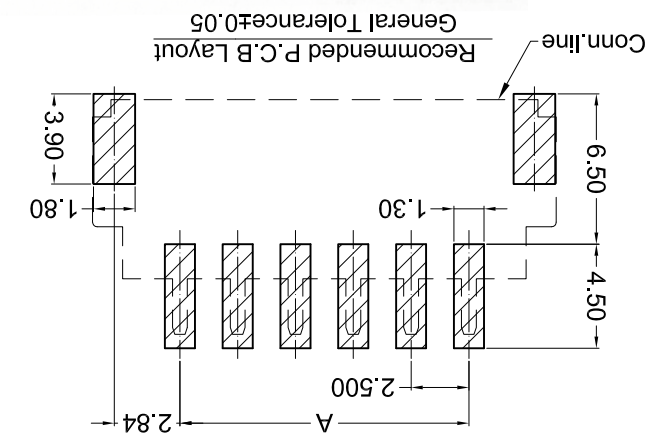
REVISION	SHEET	WEIGHT	REVISION
A0	1/1	1.0g	

DATE	SCALE: N/A	MODEL TYPE:
		X8821WRS-XX-9TXXX

DATE	VIEW:	PART NO.:
	VIEW:	X8821WRS-XX-9TXXX

DATE	UNIT: mm	DWG NO.:

DATE	SIZE: A4	REVISION



PART NO	Material	Solder (Pin and Tabs)	Finish (Pin)	Finish (Solder Tabs)	Suitable XKB Terminal
X8821WRS-XX-9T01	PA 9T UL 94V-0	Brass	Tin-Plated	Tin-Plated	X8821H
X8821WRS-XX-9T5H		Gold Flash	Tin-Plated	Tin-Plated	

Poles	Dimensions (mm)		
	A	B	C
02	2.50	10.00	5.90
03	5.00	12.50	8.40
04	7.50	15.00	10.90
05	10.00	17.50	13.40
06	12.50	20.00	15.90
07	15.00	22.50	18.40
08	17.50	25.00	20.90
09	20.00	27.50	23.40

- ① Series No.
- ② Category: W-WAFER
- ③ Welding Board Angle: R-Right Angle 90°
- ④ Welding Way: S-SMT
- ⑤ Row No.-Pin No.: XX-02P~16P
- ⑥ Plug the Pin & Special No.:
- ⑦ Material: 9T -PA9T UL 94V-0
- ⑧ Plating Category: SN-Bright Tin Plating
- ⑨ Color : Blank-Natural Color

X8821 W R S-XX X-9T XX XX

- Specifications :
- Voltage rating: 250V AC / DC
- Current rating: 3A AC / DC
- Withstanding voltage: 1000V AC/minute
- Temperature range: -25°C~+85°C
- Insulation resistance: ≥1000MΩ
- Contact resistance: ≤10mΩ
- After environmental testing: ≤20mΩ

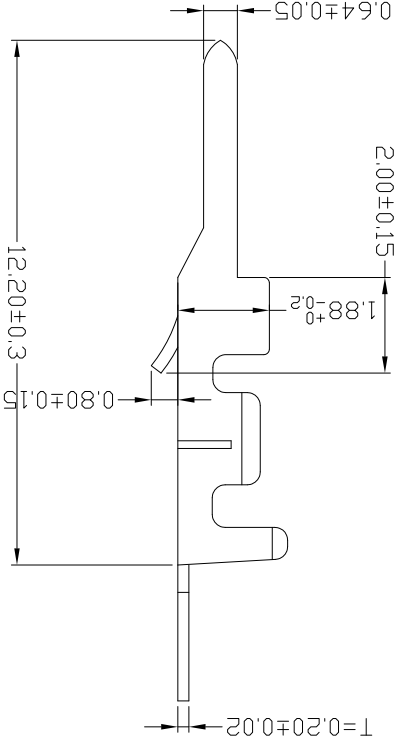
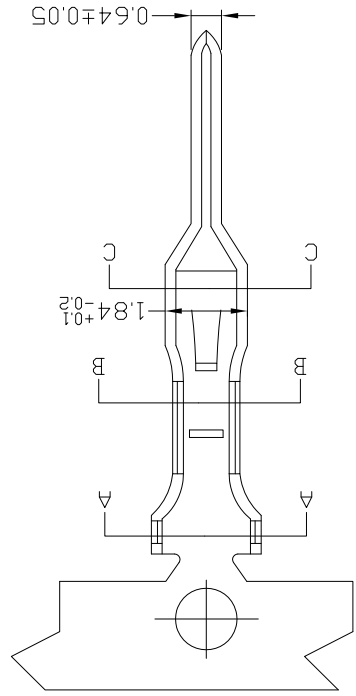
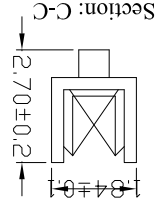
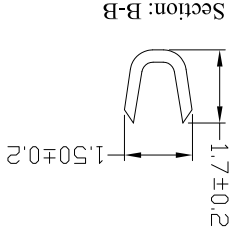
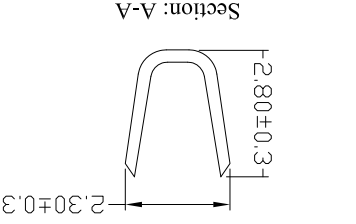
MARK	DESCRIPTION	REVISIONS			UNSPECIFIED TOLERANCES	
		DATE	REVISED	APPROVED	UNSPECIFIED TOLERANCES	UNSPECIFIED TOLERANCES
△X						L > 63 ±0.5
△X						16 < L ≤ 63 ±0.4
△X						4 < L ≤ 16 ±0.3
△X						L ≤ 4 ±0.2
						ANGULAR ±5°

For and on behalf of
XKB INDUSTRIAL PRECISION CO., LIMITED
 香港星坤工業精密有限公司

Authorized Signature(s)

DSND	DATE	SCALE: N/A	MODEL TYPE: X8821TM-PSN
DWN	DATE <td>VIEW: </td> <td>PART NO.: 2.50 mm Crimp Style connectors</td>	VIEW:	PART NO.: 2.50 mm Crimp Style connectors
CHKD	DATE <td>UNIT: mm <td>DWG NO.:</td> </td>	UNIT: mm <td>DWG NO.:</td>	DWG NO.:
APPD	DATE <td>SIZE: A4 <td>WEIGHT: 1.0g</td> </td>	SIZE: A4 <td>WEIGHT: 1.0g</td>	WEIGHT: 1.0g
			SHEET: 1/1
			REVISION: A0

PART NO	Material	Wire Range	Insulation O.D.	Finish	Suitable XKB Terminal
X8821TM-PSN	Phosphor Bronze	AWG#22-26	1.90mm(Max)	Stamping Before Plating:30-50u" Ni;70-120u"Sn	X8821HF



■ Specifications(规格):

- Voltage rating(额定电压): 250V AC / DC
- Current rating(额定电流): 3A AC / DC
- Withstanding voltage(耐压值): 1000V AC/minute
- Temperature range(工作温度): -25°C~+85°C
- Insulation resistance(绝缘电阻): ≥1000MΩ
- Contact resistance(接触电阻): ≤10mΩ
- After environmental testing(环境测试后): ≤20mΩ

①系列

②类别:

T-端子

③外观形态:

M-公端

④材质:

P-磷铜

⑤电镀类别:G**-镀金 V**-镀全金

*01-Gold Flash *02-2U" *03-3U" *05-5U"
 *10-10U" *15-15U" *30-30U" *50-50U"

SN-镀亮锡(70-120U") SN1-镀亮锡(120U"Min.)

0-素材 SW-镀雾锡

⑥电镀方式:

空码-先冲后镀 B-先镀后冲

⑦型号/MARK及特殊码

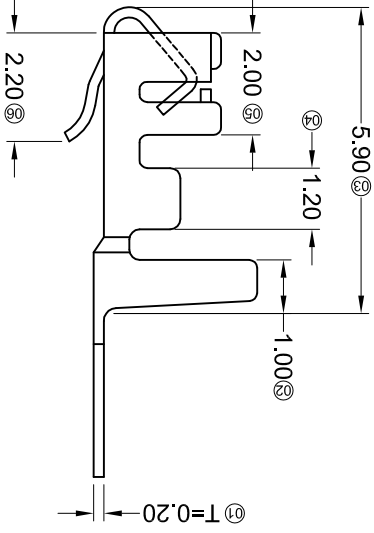
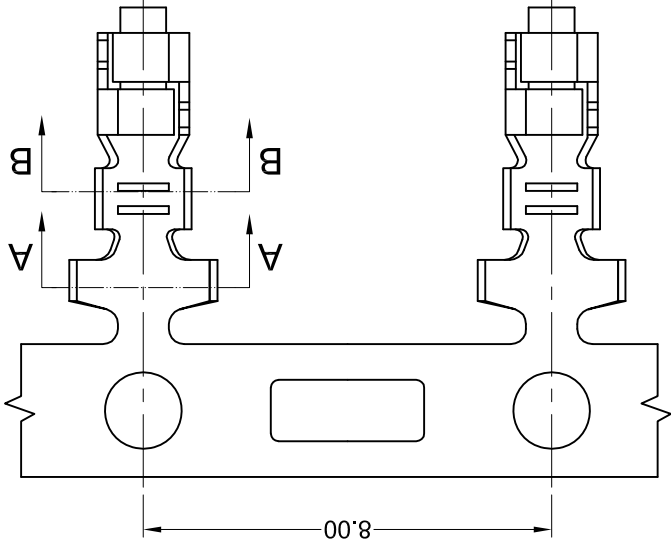
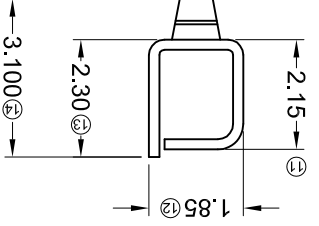
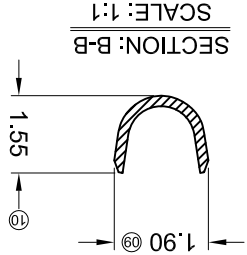
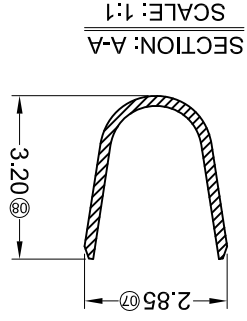
For and on behalf of
KXB INDUSTRIAL PRECISION CO., LIMITED
 香港星坤工業精密有限公司

Authorized Signature(s)

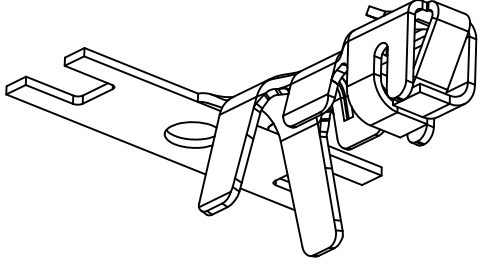
MARK	DESCRIPTION	DATE	REVISED	APPROVED	UNSPECIFIED TOLERANCES
△X					L > 63 ± 0.5
△X					16 < L ≤ 63 ± 0.4
△X					4 < L ≤ 16 ± 0.3
					L ≤ 4 ± 0.2
					ANGULAR ± 5°

REVISION	SHEET	WEIGHT	KXB INDUSTRIAL PRECISION CO., LIMITED			
A0	1/1	1.0g	DATE	DATE	DATE	DATE
			SCALE: N/A	VIEW:	PART NO.: X8821T-BSNB	MODEL TYPE: X8821T-BSNB
			UNIT: mm	2.50mm Crimp Style Connectors	DWG NO.:	SIZE: A4

PART NO	MATERIAL	WIRE RANGE	INSULATION O.D.	FINISH	Suitable XKB Terminal
X8821T-BSN	Brass	AWG#22-26	1.90mm(Max)	Stamping Before Plating:30u" Ni:70u"Sn	X8821H
X8821T-BSNB				Stamping Before Plating:10u" Ni:40u"Sn	
X8821T-PSNB	Phosphor Bronze			Stamping Before Plating:30u" Ni:70u"Sn	
X8821T-PSN				Stamping Before Plating:10u" Ni:40u"Sn	



- Specifications :
- Voltage rating: 250V AC / DC
 - Current rating: 3A AC / DC
 - Withstanding voltage: 1000V AC/minute
 - Temperature range: -25°C~+85°C
 - Insulation resistance: ≥1000MΩ
 - Contact resistance: ≤10mΩ
 - After environmental testing: ≤20mΩ
- X8821 T X-B SN X - X
- ① Series Number
 ② Category: T-terminal
 ③ Shape: Blank-ordinary
 ④ Material: B-Brass P-Phosphor bronze
 ⑤ Plating style: SN-Bright tin plating
 ⑥ Plating method: Blank-stamping before plating
 B-Plating before stamping
 ⑦ Mold No./Mark/Special No.



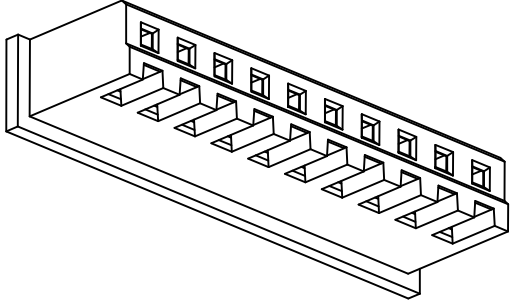
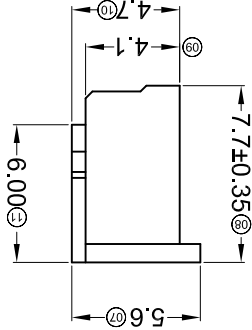
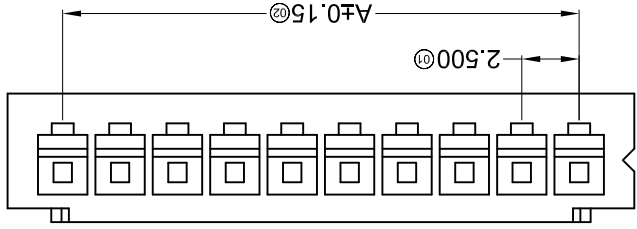
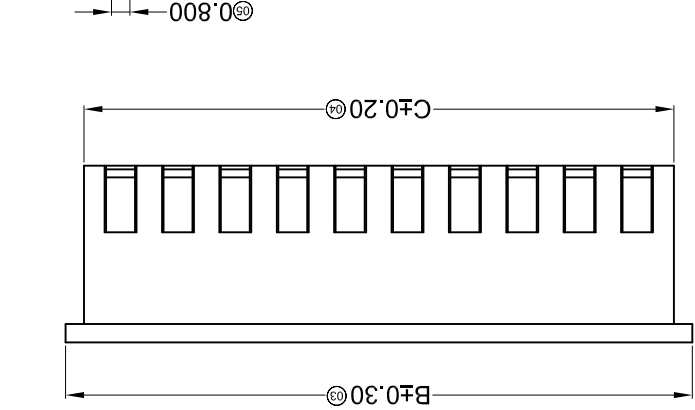
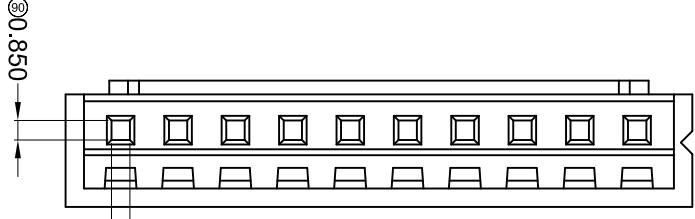
For and on behalf of
KKB INDUSTRIAL PRECISION CO., LIMITED
 香港星坤工業精密有限公司

Authorized Signature(s)

MARK	DESCRIPTION	DATE	REVISED	APPROVED	UNSPECIFIED TOLERANCES
△X					L > 63 ± 0.5
△X					16 < L ≤ 63 ± 0.4
△X					4 < L ≤ 16 ± 0.3
					L ≤ 4 ± 0.2
					ANGULAR ± 5°

REVISION	SHEET	WEIGHT	KKB INDUSTRIAL PRECISION CO., LIMITED			
A0	1/1	1.0g	SIZE: A4	DATE	DATE	DATE
			UNIT: mm	DATE	DATE	DATE
			VIEW:	DATE	DATE	DATE
			SCALE: N/A	DATE	DATE	DATE
			MODEL TYPE: X8821H-XX-N0			
			PART NO.: 2.50mm Crimp style Connector			
			DWG NO.:			

PART NO	Material	Suitable XKB Terminal	Suitable XKB Terminal
X8821H-XX-N0	Nylon 66 UL 94V-0	X8821T	X8821W, 8821HF



Poles	Dimensions(mm)		
	A	B	C
02	2.50	7.30	5.70
03	5.00	9.80	8.20
04	7.50	12.30	10.70
05	10.00	14.80	13.20
06	12.50	17.30	15.70
07	15.00	19.80	18.20
08	17.50	22.30	20.70
09	20.00	24.80	23.20

- ① Series No.
- ② Category: H-HSG
- ③ Appearance type: Blank-Ordinary
- ④ Row No.-Pin No.: XX-Single Row
- ⑤ Plug the Pin & Special No. Blank-Ordinary
- ⑥ Material: N0-PA66 94V-0 N2-PA66 94V-2
- ⑦ Color: Blank : Natural Color

X8821 H X-XX X-N0 XX

- Voltage rating: 250V AC / DC
- Current rating: 3A AC / DC
- Withstanding voltage: 1000V AC/minute
- Temperature range: -25°C~+85°C
- Insulation resistance: ≥1000MΩ
- Contact resistance: ≤10mΩ
- After environmental testing: ≤20mΩ

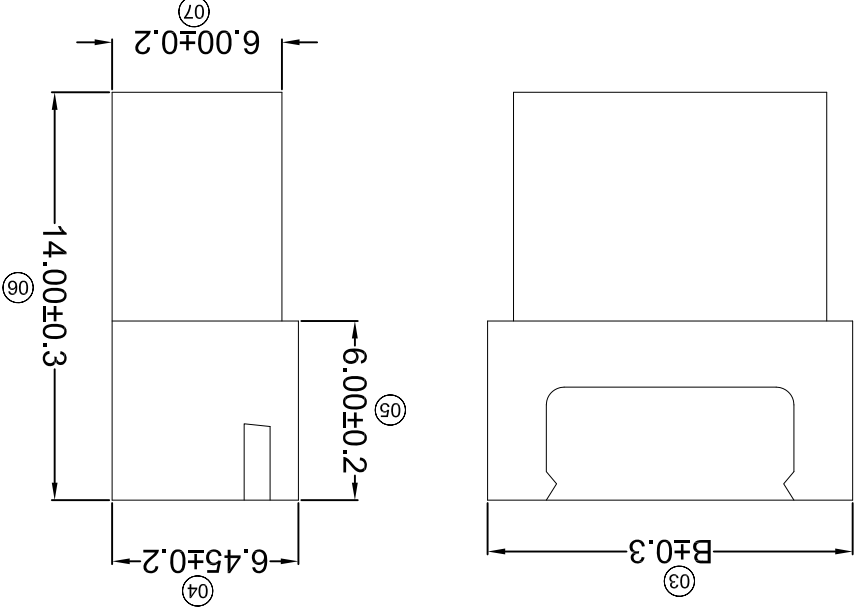
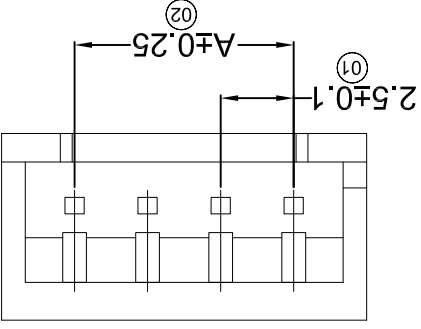
■ Specifications :

For and on behalf of
XKB INDUSTRIAL PRECISION CO., LIMITED
 香港星坤工業精密有限公司

Revisions Authorized Signatures(s)

MARK	DESCRIPTION	DATE	REVISED	APPROVED	UNSPECIFIED TOLERANCES
△ X					L > 63
△ X					16 < L ≤ 63
△ X					4 < L ≤ 16
					L ≤ 4
					ANGULAR
					± 5°

DSND	DATE	SCALE: N/A	MODEL TYPE: X8821HF-XX-N0
DWN	DATE <td>VIEW: </td> <td>PART NO.:</td>	VIEW:	PART NO.:
CHKD	DATE <td>UNIT: mm</td> <td>2.50 mm Crimp style Connector</td>	UNIT: mm	2.50 mm Crimp style Connector
APPD	DATE <td>SIZE: A4</td> <td>DWG NO.:</td>	SIZE: A4	DWG NO.:
		WEIGHT: 1.0g	REVISION
		SHEET: 1/1	A0



X8821 H F-XX X-N0 XX

① Series No.

② Category: H-HSG

③ Appearance type: F-Female

④ Row No.-Pin No.: XX-Single Row

⑤ Plug the Pin & Special No. Blank-Ordinary

⑥ Material: N0-PA66 94V-0 N2-PA66 94V-2

⑦ Color: Blank: Natural Color

Poles	Dimensions (mm)	
	A	B
02	2.50	7.50
03	5.00	10.00
04	7.50	12.50
05	10.00	15.00
06	12.50	17.50
07	15.00	20.00
08	17.50	22.50
09	20.00	25.00
10	22.50	27.50
11	25.00	30.00
12	27.50	32.50
13	30.00	35.00
14	32.50	37.50
15	35.00	40.00
16	37.50	42.50
17	40.00	45.00
18	42.50	47.50
19	45.00	50.00
20	47.50	52.50

PART NO	Material	Suitable XKB Terminal	Suitable XKB Terminal
X8821HF-XX-N0	Nylon 66 UL 94V-0	X8821TM	X8821W、8821H

Specifications:

- Voltage rating: 250V AC / DC
- Current rating: 3A AC / DC
- Withstanding voltage: 1000V AC/minute
- Temperature range: -25°C~+85°C
- Insulation resistance: ≥1000MΩ
- Contact resistance: ≤10mΩ
- After environmental testing: ≤20mΩ

X-ON Electronics

Largest Supplier of Electrical and Electronic Components

Click to view similar products for [Headers & Wire Housings](#) category:

Click to view products by [XKB](#) manufacturer:

Other Similar products are found below :

[95000-104TRLF](#) [10135584-644402LF](#) [DF62W-EP2022PCA](#) [95000-106TRLF](#) [DF62W-2022SCA](#) [DF62W-EP2022PC](#) [2203348](#) [DF62W-2022SC](#) [1084018](#) [1029039](#) [1084017](#) [802-10-012-10-002000](#) [1112640](#) [1112639](#) [891-007-9SS-BST1T](#) [000-34000](#) [0008550134](#) [0009482033](#) [0009507031](#) [57102-F02-18ULF](#) [57102-S06-03LF](#) [57202-S52-04LF](#) [PCN6-15S-2.5E](#) [0039019024](#) [58102-G61-06LF](#) [582553-1](#) [0009485154](#) [0009508121](#) [0022285053](#) [0050291907](#) [018731A](#) [LY20-4P-DT1-P1E-BR](#) [02.125.8002.8](#) [60101931](#) [60598-1 \(Cut Strip\)](#) [M1625-3R/100](#) [61062-3](#) [61082-181009](#) [CSU011177004](#) [636-1427](#) [638009-1](#) [641938-9](#) [641991-4](#) [644168-1](#) [644827-2](#) [647662-1](#) [65039-019ELF](#) [65692-001LF](#) [65781-018](#) [65781-047](#)