

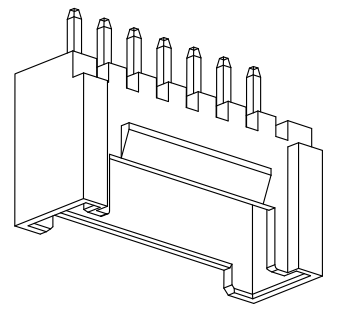
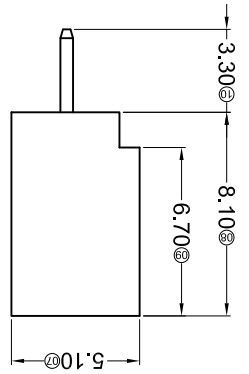
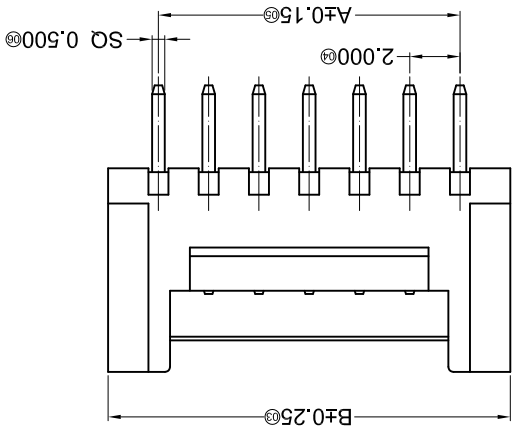
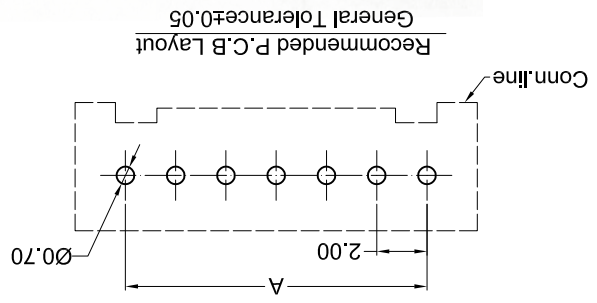
For and on behalf of  
**KXB INDUSTRIAL PRECISION CO., LIMITED**  
 香港星坤工業精密有限公司

MARK	DESCRIPTION	DATE	REVISID	APPROVED	UNSPECIFIED TOLERANCES
△ X					L > 63 ± 0.5
△ X					16 < L ≤ 63 ± 0.4
△ X					4 < L ≤ 16 ± 0.3
△ X					L ≤ 4 ± 0.2
					ANGULAR ± 5°

REVISIONS	AUTHORIZED SIGNATURE(S)	
DATE	APPROVED	REVISID

WEIGHT	1.0g
SHEET	1/1
REVISION	A0

DSND	DATE	SCALE: N/A	MODEL TYPE: X2011WV-XXAXX-XXXXX
DWN	DATE	VIEW:	PART NO.:
CHKD	DATE	UNIT: mm	DWG NO.:
APPD	DATE	SIZE: A4	2.00mm Crimp Style Connector



PART NO	Material	Material(Fin)	Finish(Pin)	Suitable XKB Terminal
X2011WV-XXA-LPSW	LCP 94V-0	Brass	Tin-Plated	X2011H
X2011WV-XXAHF-N0SN	PA 66 UL 94V-0 Halogen Free	Brass	Tin-Plated	X2011H
X2011WV-XXA-N0SN	PA 66 UL 94V-0		Tin-Plated	

Poles	Dimensions (mm)			A	B	C
	A	B	C			
02	2.00	6.00	4.75	10	18.00	22.00
03	4.00	8.00	6.75	11	20.00	24.00
04	6.00	10.00	8.75	12	22.00	26.00
05	8.00	12.00	10.75	13	24.00	28.00
06	10.00	14.00	12.75	14	26.00	30.00
07	12.00	16.00	14.75	15	28.00	32.00
08	14.00	18.00	16.75	16	30.00	34.00
09	16.00	20.00	18.75			32.75

- ① Series No.  
 ② Category: W-WAFER  
 ③ Welding Board Angle: V-Straight 180°  
 ④ Welding Way: Blank-DIP  
 ⑤ Row No.-Pin No.: XX-02P~16P  
 ⑥ Plug the Pin & Special No.: A-Without Baffle;  
 ⑦ HF-Halogen Free  
 ⑧ Material: N0 -PA66 UL 94V-0; LCP 94V-0  
 ⑨ Plating Category: SN-Bright Tin Plating;  
 SW-Matte Tin Plating  
 ⑩ Color: Blank-Natural Color

X2011 W V X-XX A HF-XX XX XX

- Specifications :
- Voltage rating: 250V AC / DC
  - Current rating: 3A AC / DC
  - Withstanding voltage: 1000V AC/minute
  - Temperature range: -25°C~+85°C
  - Insulation resistance: ≥1000MΩ
  - Contact resistance: ≤30mΩ
  - After environmental testing: ≤40mΩ

## X-ON Electronics

Largest Supplier of Electrical and Electronic Components

*Click to view similar products for [Headers & Wire Housings](#) category:*

*Click to view products by [XKB](#) manufacturer:*

Other Similar products are found below :

[95000-104TRLF](#) [10135584-644402LF](#) [DF62W-EP2022PCA](#) [95000-106TRLF](#) [DF62W-2022SCA](#) [DF62W-EP2022PC](#) [2203348](#) [DF62W-2022SC](#) [1084018](#) [1029039](#) [1084017](#) [802-10-012-10-002000](#) [1112640](#) [1112639](#) [891-007-9SS-BST1T](#) [000-34000](#) [0008550134](#) [0009482033](#) [0009507031](#) [57102-F02-18ULF](#) [57102-S06-03LF](#) [57202-S52-04LF](#) [PCN6-15S-2.5E](#) [0039019024](#) [58102-G61-06LF](#) [582553-1](#) [0009485154](#) [0009508121](#) [0022285053](#) [0050291907](#) [018731A](#) [LY20-4P-DT1-P1E-BR](#) [02.125.8002.8](#) [60101931](#) [60598-1 \(Cut Strip\)](#) [M1625-3R/100](#) [61062-3](#) [61082-181009](#) [CSU011177004](#) [636-1427](#) [638009-1](#) [641938-9](#) [641991-4](#) [644168-1](#) [644827-2](#) [647662-1](#) [65039-019ELF](#) [65692-001LF](#) [65781-018](#) [65781-047](#)