



Cixi Dibo Electronics Co.,LTD

产品规格书
product specification

电气性能/Electrical

参考标准/Standard: UL IEC
 额定电压/Rated voltage: 300V 250V
 额定电流/Rated current: 8A 10A
 接触电阻/Contact resistance: 20m Ω

耐电压/Withstanding voltage: AC2000V/1Min

绝缘电阻/Insulation resistance: 500M Ω /DC500V

机械性能/Mechanical

温度范围/Temp.Range: -40 $^{\circ}$ C $^{+}$ 105 $^{\circ}$ C

瞬间温度/MAX Soldering: +250 $^{\circ}$ C, for 5 Sec

尺寸/Dimensions

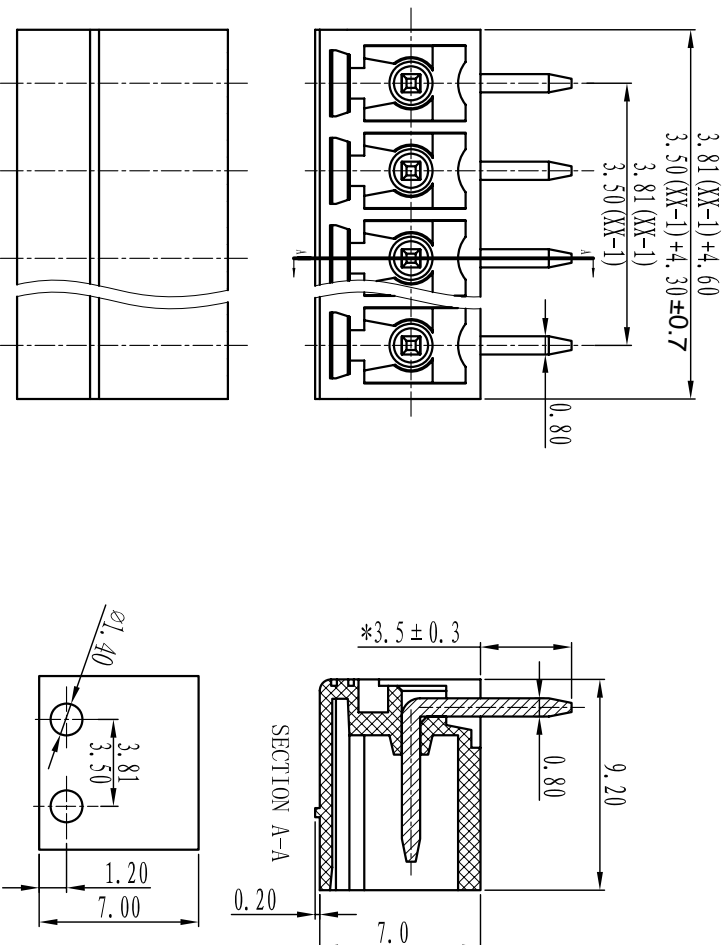
间距/Pitch: 3.81mm/3.50mm

极数/Poles: 2P-24P

材质及电镀/Material

塑件/Housing: PA66, UL94V-0

焊针/Pin header: Brass, Tin plated



TOLERANCES EXCEPT AS NOTED

	linear dimension	fillet	chamfer	short angle sid	□	∥	⊥
variable range	over 6 to 30 over 30 to 120 over 120 to 480	all to 6	over 6 to 10	over 10 to 50 over 50 to 120	all to 5	over 5 to 30 over 30 to 120	over 120 to 480
tolerance	±0.1 ±0.2 ±0.3 ±0.5	±0.2 ±0.2	±1	10 $^{\circ}$ 20 $^{\circ}$ 30 $^{\circ}$	0.5 0.025	0.06 0.12	0.4

订购方式: HOW TO ORDER

- - P - - - -

型号/Model: 极数/POLE: 未定义/No definition
 单向距/Sing pitch: 双向距/Double pitch: 客户需求 Customer Request:

灰色/Gray 10 棕色/Brown 40 透明/transparent 70
 蓝色/Blue 20 黄色/Orange 50 黄色/Yellow 80
 黑色/Black 30 红色/Red 60 白色/White 90

单位/UNITS mm 尺寸/SIZE A4 比例/SCALE
Cixi Dibo Electronics Co.,LTD

第一视角/FIRST ANGLE PROJECTION
 名称/NAME DB2ERC-3.81/3.5

X-ON Electronics

Largest Supplier of Electrical and Electronic Components

Click to view similar products for [Pluggable Terminal Blocks](#) category:

Click to view products by [DIBO](#) manufacturer:

Other Similar products are found below :

[57.404.7553](#) [57.504.0053.7](#) [57.510.0053](#) [57.910.6153](#) [01.112.1453](#) [CTB932VE/6](#) [MC 1.5/ 6-ST-3.5 GY AU](#) [ET02015000J0G](#) [734-104](#) [734-302](#) [734-304](#) [8-141-P](#) [FKCT 2.5/ 3-ST KMGY](#) [860505](#) [860508](#) [860516](#) [860810](#) [861908](#) [GBPACX-12](#) [93.731.4953.0](#) [PV05-5,08-K](#) [PVP02-5,00](#) [PVP04-3,50](#) [PVS02-5,00](#) [1-1986160-3](#) [H-10](#) [1546228-5](#) [ELFH09150](#) [ELFH16150](#) [ELFP03110](#) [ELFT06250](#) [ELFT07250](#) [ELVF09400](#) [ELVP03100](#) [ELXH03100](#) [ELXH071G0E](#) [ELXP041G0](#) [ELXT046G0](#) [1700101](#) [1700410](#) [1700425](#) [1703176](#) [1703243](#) [1705229](#) [1710175](#) [1714537](#) [1717806](#) [1719600](#) [1728941](#) [1729386](#)