

APPROVAL SPECIFICATIONS

Title. Memory Card Connector

Product Model. TF-107

Customer's Part NO.

Customer's Model:

Customer's Approval Requested.

Please return this copy as a certification of your approval.

Checked by: _____ Date: _____

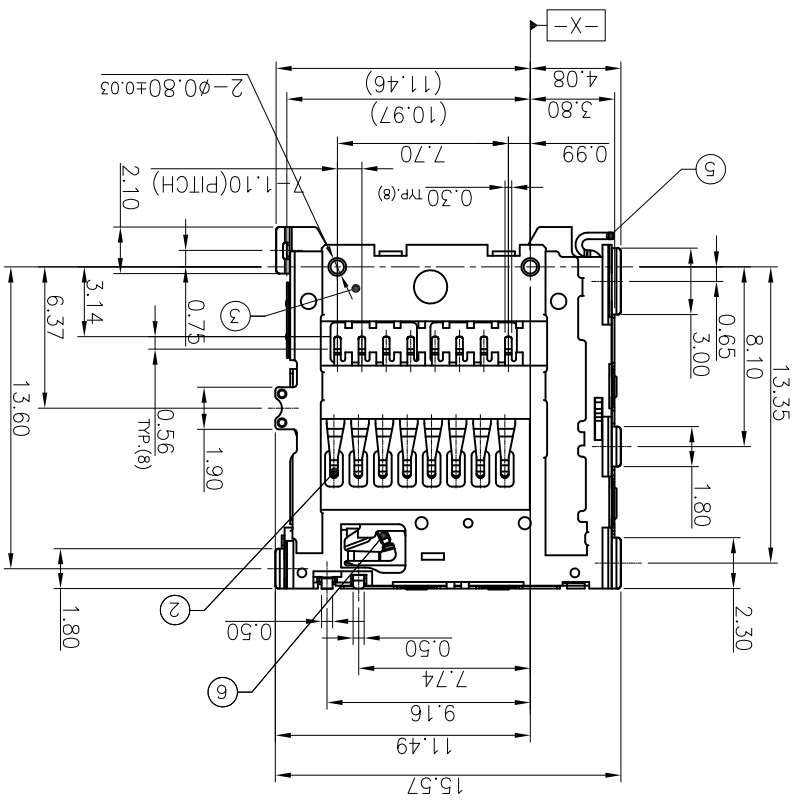
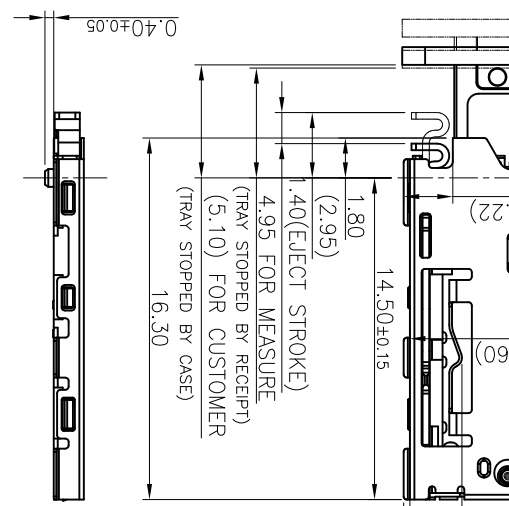
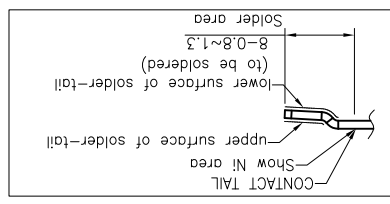
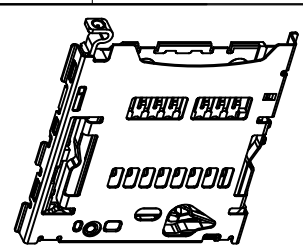
Approved by: _____ Date: _____

APPROVE	REVIEW	POLT
王凯	林永坚	陈旺

XUNPU ELECTRONICS CO.,LTD

NOTE: 0.08MM MAX.

BEFORE IR-REFLOW (CONTACT TAIL & SHELL TAIL)



ITEM	DESCRIPTION (P/N)	QTY	MATERIAL	FINISH
6	SWITCH	1	COPPER ALLOY	CONTACT AREA: Au 0.375um Min. 0.025um Min. gold on lower surface of solder-tail.
5	LEVER	1	SUS	CLEANING
4	CAM	1	SUS	CLEANING
3	I/M	1	LCP	BLACK COLOR UL94V-0
2	CONTACT	6	COPPER ALLOY	CONTACT AREA: Au 0.375um Min. 0.025um Min. gold on lower surface of solder-tail.
1	SHELL	1	SUS	CONTACT AREA: Au 0.375um Min. 0.025um Min. gold on lower surface of solder-tail.

UNLESS OTHERWISE SPECIFIED TOLERANCES		TITLE	
DECIMALS: ANGLES:		1.35H PIN PUSH T-Flosh CARD CONN.(With Tray)	
X : ±0.5	X : ±2	DWN	ALLEN
X X : ±0.20	X X : ±1	CHKD	KEVIN
X.XX : ±0.10		APVD	ERIC.W
CUSTOMER COPY		SIZE: A3	
		SHEET: 1 OF 1	
		REV: A1	

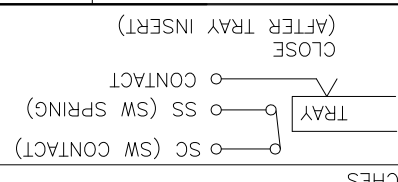
東莞市訊普電子科技有限公司

東莞市訊普電子科技有限公司

REV.	ECN NO OR DESCRIPTION	REVISED	DATE
△	PROPOSE ONLY	ALLEN	2015.12.04

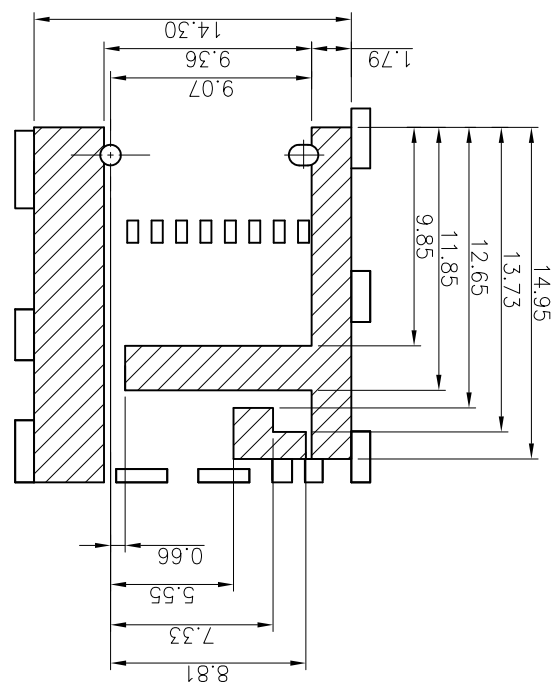
CM	FUNCTION	MICRO SD CARD	CD/DAT3 OF MSD	CMD OF MSD	VDD OF MSD	CLK OF MSD	VSS OF MSD	DAT0 OF MSD	SW CONTACT	SW SPRING

RECTOR PIN ASSIGNMENT:
 THICKNESS 0.7MM MIN
 TOLERANCE: +/-0.05

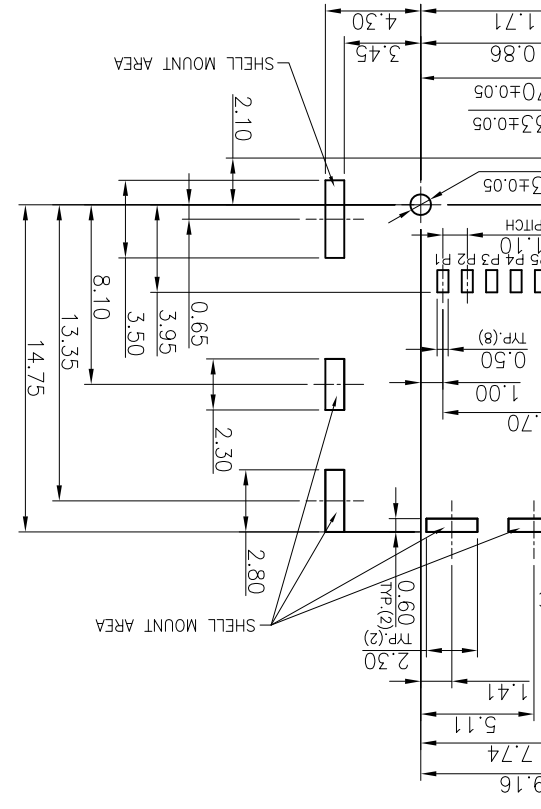


UNLESS OTHERWISE SPECIFIED TOLERANCES		APVD		TITLE	
DECIMALS:	ANGLES:	1.35H PIN PUSH T-Flosh CARD CONN.(With Tray)	CHKD	ERIC.W	SIZE: A3
X : ±0.5	X X : ±1	TF-107	KEVIN	SCALE: 1:1	SHEET: 1 OF 1
X X : ±0.20	X X X : ±1	PART NO.	UNIT: mm	REV: A1	REV: A1
X X X : ±0.10					

東莞市訊普電子科技有限公司
 CUSTOMER COPY



PATTERN KEEP OUT AREA
 TOLERANCE: +/-0.05
 GND RECOMMENDED PATTERN



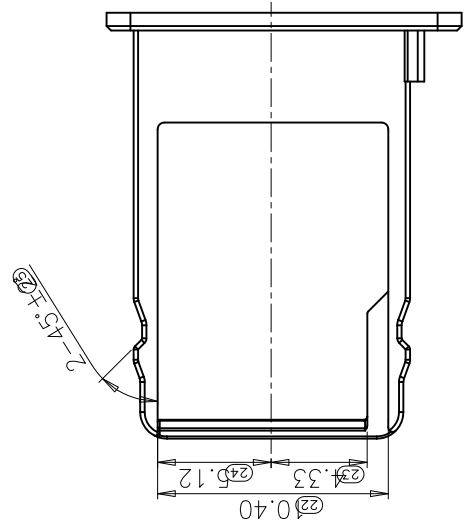
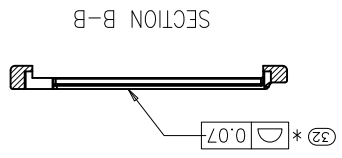
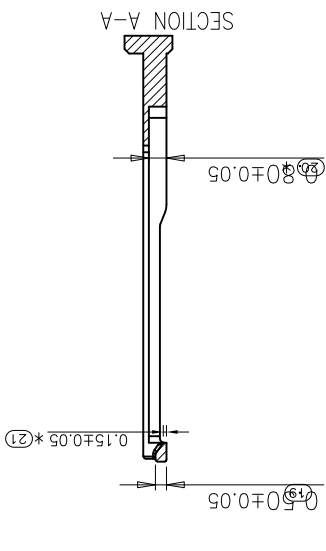
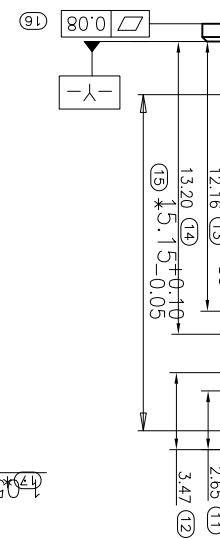
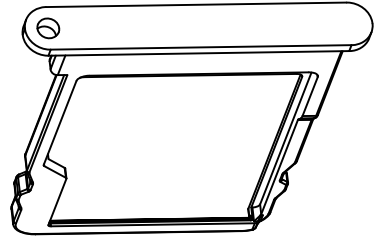
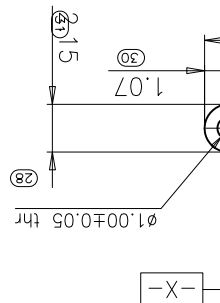
REV.	ECN NO OR DESCRIPTION	REVISED	DATE
	PROPOSE ONLY	ALLEN	2015.12.04

D	<table border="1"> <tr> <td colspan="2">CUSTOMER COPY</td> </tr> <tr> <td>APVD</td> <td>ERIC.W</td> </tr> <tr> <td>CHKD</td> <td>KEVIN</td> </tr> <tr> <td>DWN</td> <td>ALLEN</td> </tr> <tr> <td colspan="2">PART NO. TF-107</td> </tr> <tr> <td colspan="2">TITLE 1.35H PIN PUSH T-Flosh CARD CONN.(With Tray)</td> </tr> </table>	CUSTOMER COPY		APVD	ERIC.W	CHKD	KEVIN	DWN	ALLEN	PART NO. TF-107		TITLE 1.35H PIN PUSH T-Flosh CARD CONN.(With Tray)		<table border="1"> <tr> <td colspan="2">UNLESS OTHERWISE SPECIFIED TOLERANCES</td> </tr> <tr> <td>DECIMALS:</td> <td>ANGLES:</td> </tr> <tr> <td>X : ±0.5</td> <td>X : ±2</td> </tr> <tr> <td>X X : ±0.20</td> <td>X X : ±1</td> </tr> <tr> <td>X XX : ±0.10</td> <td></td> </tr> </table>	UNLESS OTHERWISE SPECIFIED TOLERANCES		DECIMALS:	ANGLES:	X : ±0.5	X : ±2	X X : ±0.20	X X : ±1	X XX : ±0.10		<table border="1"> <tr> <th>ITEM</th> <th>P/N</th> <th>MATERIAL</th> </tr> <tr> <td>1</td> <td>CARRIER TAPE</td> <td>THERMOPLASTIC</td> </tr> <tr> <td>2</td> <td>COVER TAPE</td> <td>POYSTYRENE</td> </tr> <tr> <td>3</td> <td>REEL</td> <td>POYSTYRENE</td> </tr> </table>	ITEM	P/N	MATERIAL	1	CARRIER TAPE	THERMOPLASTIC	2	COVER TAPE	POYSTYRENE	3	REEL	POYSTYRENE	
CUSTOMER COPY																																						
APVD	ERIC.W																																					
CHKD	KEVIN																																					
DWN	ALLEN																																					
PART NO. TF-107																																						
TITLE 1.35H PIN PUSH T-Flosh CARD CONN.(With Tray)																																						
UNLESS OTHERWISE SPECIFIED TOLERANCES																																						
DECIMALS:	ANGLES:																																					
X : ±0.5	X : ±2																																					
X X : ±0.20	X X : ±1																																					
X XX : ±0.10																																						
ITEM	P/N	MATERIAL																																				
1	CARRIER TAPE	THERMOPLASTIC																																				
2	COVER TAPE	POYSTYRENE																																				
3	REEL	POYSTYRENE																																				
C	<p>NOTES:</p> <p>1, POCKET HOLE PITCH CLUMATIVE TOLERANCE ±0.40mm</p> <p>2, Packaging capacity:</p> <p>800pcs/REEL; 8REEL/CARTON ; TOTAL: 6400PCS/CARTON</p> <p>3, Packaging Use Attention:</p> <p>NOT TWISTED OVER 90° WITHIN 1000mm.</p>																																					
A	<table border="1"> <tr> <td>REV.</td> <td>ECN NO OR DESCRIPTION</td> <td>REVISED</td> <td>DATE</td> </tr> <tr> <td>△</td> <td>PROPOSE ONLY</td> <td>ALLEN</td> <td>2015.12.04</td> </tr> </table>	REV.	ECN NO OR DESCRIPTION	REVISED	DATE	△	PROPOSE ONLY	ALLEN	2015.12.04	<table border="1"> <tr> <td colspan="2">TRAILER AREA</td> <td colspan="3">COMPONENT (COMPOSITION OF PACKAGE)</td> <td>FE (10PCS)</td> </tr> <tr> <td colspan="2">NO COMPONENT WITH COVER TAPE (20PCS)</td> <td colspan="3">QUANTITY:800PCS</td> <td></td> </tr> </table>	TRAILER AREA		COMPONENT (COMPOSITION OF PACKAGE)			FE (10PCS)	NO COMPONENT WITH COVER TAPE (20PCS)		QUANTITY:800PCS																			
REV.	ECN NO OR DESCRIPTION	REVISED	DATE																																			
△	PROPOSE ONLY	ALLEN	2015.12.04																																			
TRAILER AREA		COMPONENT (COMPOSITION OF PACKAGE)			FE (10PCS)																																	
NO COMPONENT WITH COVER TAPE (20PCS)		QUANTITY:800PCS																																				

品制程之原物料 /

，多料，缺料，扭曲變形，裂痕等缺陷。
 表：未標注尺寸，參照3D圖檔，其公差參照公差表；
 需管控CPK，且CPK ≥ 1.33；
 同軸度0.1mm，未注垂直度0.1mm；
 同軸度0.1mm，未注垂直度0.1mm；

UNLESS OTHERWISE SPECIFIED TOLERANCES		東莞市訊普電子科技有限公司	
DECIMALS:	ANGLES:	TITLE	1.35H PIN PUSH T-Flosh CARD CONN.(With Tray)
X : ±0.5	X X : ±2	DWN	ALLEN
X X : ±0.20	X X X : ±1	CHKD	KEVIN
X.XX : ±0.10		APVD	ERIC.W
		SIZE:	A3
		SHEET:	10F 1
		REV:	A1
		UNIT:	mm
		SCALE:	1:1
		PART NO.	TF-107-TK1
CUSTOMER COPY			



REV.	ECN NO OR DESCRIPTION	REVISED	DATE
△	PROPOSE ONLY	ALLEN	2015.12.04

X-ON Electronics

Largest Supplier of Electrical and Electronic Components

Click to view similar products for [Standard Card Edge Connectors](#) category:

Click to view products by [XUNPU](#) manufacturer:

Other Similar products are found below :

[6565204-6](#) [PKC-156](#) [1437274-4](#) [147889-1](#) [1489165-4](#) [EBT156-12B1X](#) [EBT15622B2X](#) [EBT156-22R2W](#) [1-582587-1](#) [1-582589-1](#) [2-6437275-9](#) [284-0102-12100](#) [306022901000000](#) [307-012-502-202](#) [307-024-526-201](#) [307-056-520-300](#) [307-080-526-208](#) [1926088-2](#) [245-062-520-350](#) [287-0032-12101](#) [306-010-500-112](#) [306-028-525-102](#) [306-240-318](#) [307-036-502-202](#) [307-036-521-301](#) [307-072-526-202](#) [345-060-559-303](#) [368-004-520-201](#) [392-008-559-201](#) [534671-1](#) [5-530501-5](#) [341-240-317](#) [345-029-520-300](#) [345-030-500-301](#) [345-044-500-300](#) [345-220-058](#) [346-240-318](#) [357-030-526-201](#) [387-012-523-300](#) [395-044-520-300](#) [395-100-524-300](#) [50-12B-10](#) [50-6SN-5](#) [09-07-2032](#) [10035388-106LF](#) [10035388-802LF](#) [10115859-011LF](#) [10122859-009LF](#) [101269333204245CLF](#) [10127905-B04B24BLF](#)