

APPROVAL SPECIFICATIONS

Title. NANO SIM+NANO SIM+TF三選二一體式

Product Model. MCS-302-C1

Customer's Part NO.

Customer's Model:

Customer's Approval Requested.

Please return this copy as a certification of your approval.

Checked by: _____ Date: _____

Approved by: _____ Date: _____

APPROVE	REVIEW	POLT
王凯	林永坚	陈旺

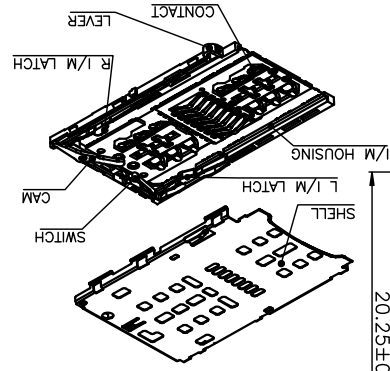
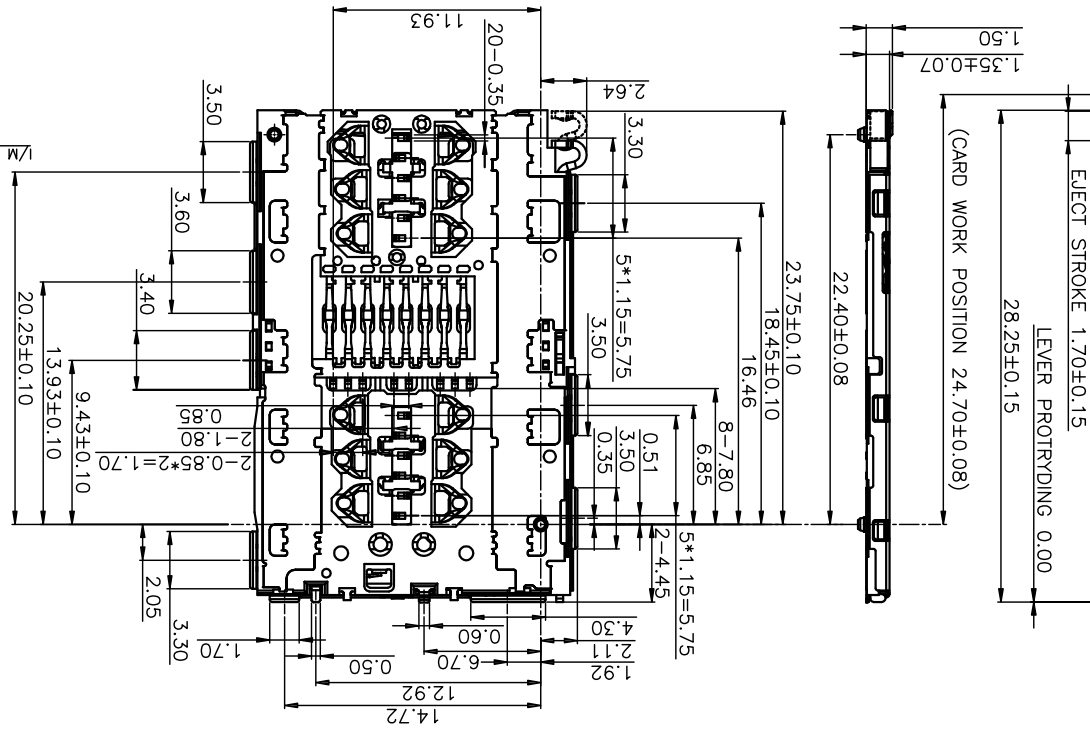
XUNPU ELECTRONICS CO.,LTD

0.08

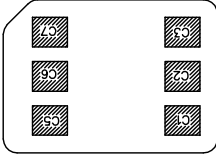
- NOTES:
- (1) CONTACT: CONTACT AREA: Au 15u" Min.; SW AREA: Au 5u" Min.
 - (2) SHELL: SOLDER AREA: Au 3u" Min.; SOLDER AREA: Au 3u" Min.
 - (3) GOLD PLATING ON SOLDER AREA: Au 3u" Min.
 - (4) CONTACT: CONTACT AREA: Au 15u" Min.; SW AREA: Au 5u" Min.
 - (5) INSULATION RESISTANCE: 1000 mohm MIN. 200 VDC FOR 1 MINUTE.
 - (6) WITHSTANDING STRENGTH: 500V AC FOR 1 MINUTE.
 - (7) MECHANICAL REQUIREMENTS:
 - (1) TRAY MATING FORCE: 2~10N ; TRAY UNMATING FORCE: 6~10N
 - (2) OPERATING FORCE: 4~15N
 - (3) THE RESORPTION DISTANCE OF THE TRAY : 0.4mm MIN
 - (8) ENVIRONMENTAL REQUIREMENTS:
 - (1) STORAGE TEMPERATURE: -40°C TO +85°C
 - (2) STORAGE TEMPERATURE: -30°C TO +85°C
 - (9) DURABILITY: 3,000 CYCLES MIN.
 - (10) OPERATING REQUIREMENTS:
 - (1) OPERATING TEMPERATURE: -30°C TO +85°C
 - (2) STORAGE TEMPERATURE: -40°C TO +85°C
 - (11) HARMFUL MATERIAL CONTROL PLEASE FOLLOW ROHS.

UNLESS OTHERWISE SPECIFIED TOLERANCES		東莞市訊普電子科技有限公司	
DECIMALS:	ANGLES:	TITLE	1.35H Nano&ft 3in2 with tray (Pin Push)Conn.Assem.
X : ±0.5	X X : ±1	DWN	ALLEN
X X : ±0.20	APVD	ERIC.W	SIZE: A3
X XX : ±0.10	CHKD	KEVIN	SCALE: 1:1
			UNIT: mm
			SHEET: 1 OF 4
			REV: B
			CUSTOMER COPY

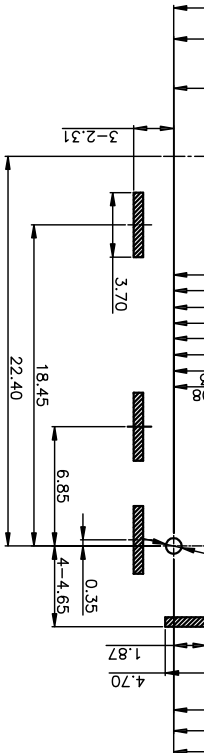
ITEM	PART NAME	Q'TY	MATERIAL	FINISH
1	CONTACT	1	Copper alloy	Plating Ni 30~200u" over all SOLDER AREA: Au 3u" min. SWITCH AREA: Au 15u" min.
2	I/M HOUSING	1	LCP	BLACK COLOR, UL94 V-0
3	SHELL	1	SUS301	Plating Ni 10~50u" over all SOLDER AREA: Au 3u" min.
4	LEVER	1	SUS301	NO PLATING
5	CAM	1	SUS304	NO PLATING
6	R I/M Latch	1	SUS301+Nylon	NO PLATING, Black Plastic
7	L I/M Latch	1	SUS301+Nylon	NO PLATING, Black Plastic
8	Switch	1	Copper alloy	Plating Ni 30~200u" over all SOLDER AREA: Au 3u" min. SWITCH AREA: Au 15u" min.



NANO SIM CARD ELECTRICAL



LEADER AREA)
:10mm.

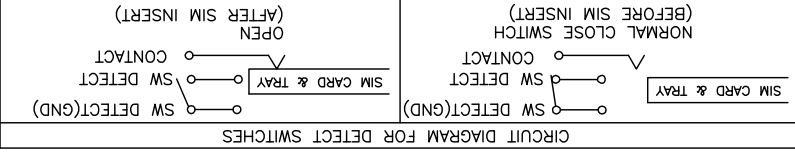
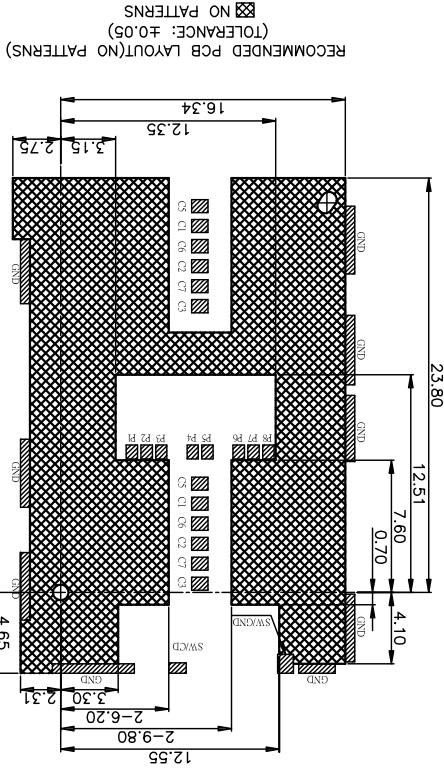


CARD PIN ASSIGNMENT:

C7	DATA OF SIM
C6	VPP OF SIM
C5	GND OF SIM
C3	CLK OF SIM
C2	RST OF SIM
C1	VCC OF SIM
NANO SIM CARD	
P8	DATA OF MSD
P7	DATA OF MSD
P6	VSS OF MSD
P5	CLK OF MSD
P4	VDD OF MSD
P3	CMD OF MSD
P2	CD/DAT3 OF MSD
P1	DATA2 OF MSD
Micro SD CARD	
ITEM	FUNCTION

CONNECTOR PIN ASSIGNMENT:

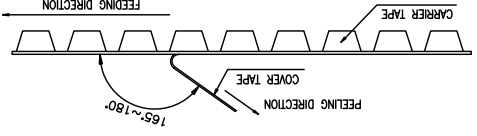
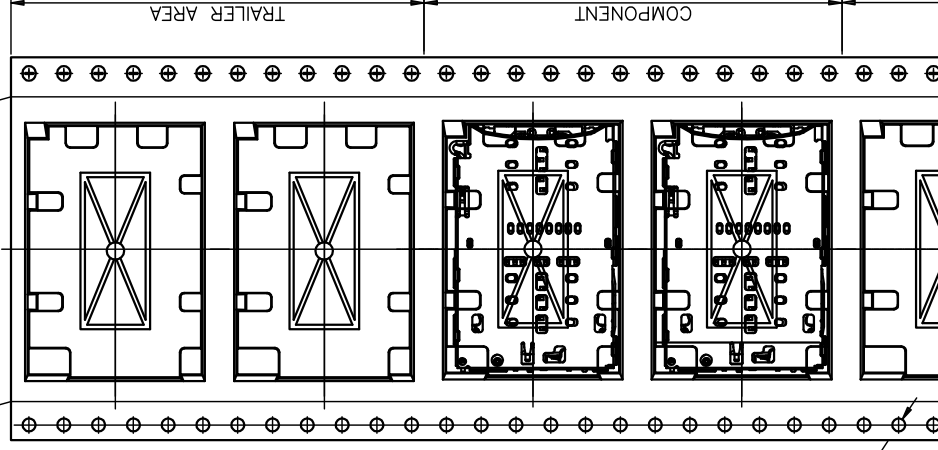
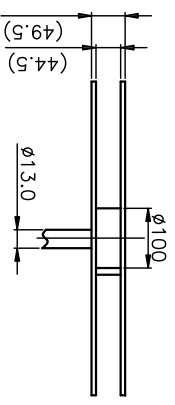
C7	DATA OF SIM
C6	VPP OF SIM
C5	GND OF SIM
C3	CLK OF SIM
C2	RST OF SIM
C1	VCC OF SIM
NANO SIM CARD	
S	SHELL GND
SW	TRAY DETECTION SW
P8	DATA OF MSD
P7	DATA OF MSD
P6	VSS OF MSD
P5	CLK OF MSD
P4	VDD OF MSD
P3	CMD OF MSD
P2	CD/DAT3 OF MSD
P1	DATA2 OF MSD
Micro SD CARD	
ITEM	FUNCTION

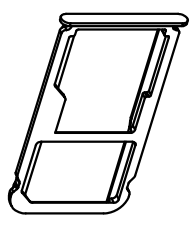
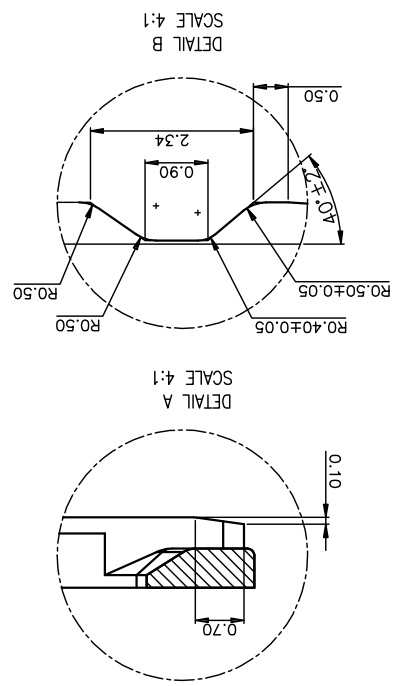
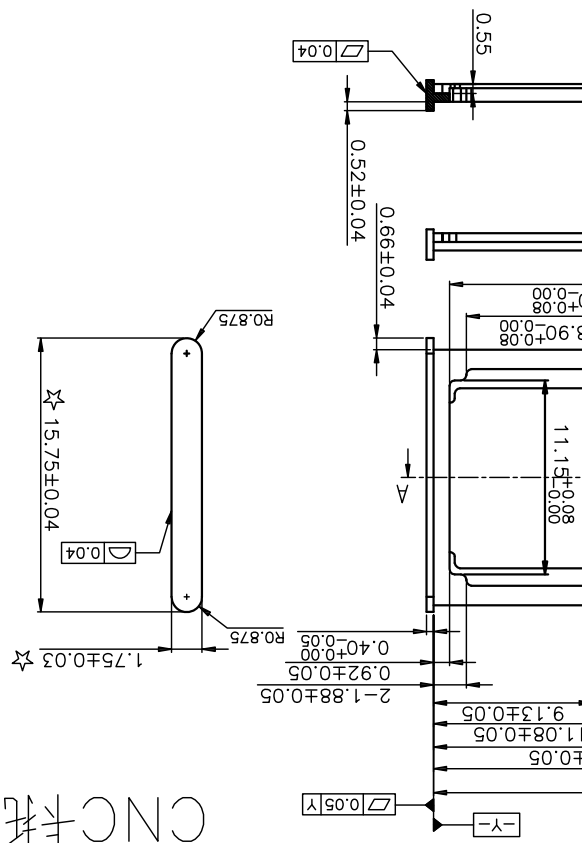
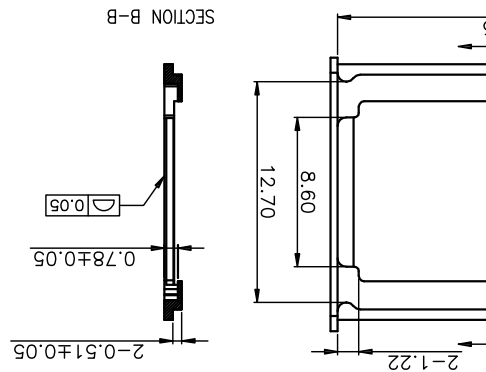


UNLESS OTHERWISE SPECIFIED TOLERANCES

DECIMALS:	ANGLES:	TITLE	CUSTOMER COPY	
X : ±0.5	X : ±2	DWN ALLEN	PART NO. MCS-302-C1	REV: B
X.X : ±0.20	X.X : ±1	CHKD KEVIN	SCALE:1:1	UNIT: mm
X.XX : ±0.10		APVD ERIC.W	SIZE: A3	SHEET: 2 OF 4

東莞市訊普電子科技有限公司

6	CUSTOMER COPY	APVD ERIC.W CHKD KEVIN DWN ALLEN TITLE 1.35H Nano&t 3in2 with tray (Pin Push)Conn.Assem.	SIZE: A3 SCALE: 1:1 UNIT: mm	SHEET: 3 OF 4 REV: B	3
5	UNLESS OTHERWISE SPECIFIED TOLERANCES	DECIMALS: ANGLES: X : ±0.5 X : ±2 X.X : ±0.20 X.X : ±1 X.XX : ±0.10	東莞市訊普電子科技有限公司		4
4	NOTES: 1. POCKET HOLE PITCH CUMULATIVE TOLERANCE ±0.40mm 2. COVER TAPE PEELING STRENGTH : 0.01~0.13kg AT 300mm/MIN 3. PEELING DIRECTION 4. PACKAGING USE ATTENTION: 1000PCS/REEL; 6REEL/CARTON; TOTAL: 6000PCS/CARTON 3. PACKAGING CAPACITY: 165°~180° CARRIER TAPE COVER TAPE FEEDING DIRECTION NOT TWISTED OVER 90° WITHIN 1000mm.	A3			5
3		<p>QUANTITY: 1000PCS (COMPOSITION OF PACKAGE)</p> <p>NO COMPONENT WITH COVER TAPE (15PCS)</p> <p>TRAILER AREA</p> <p>COMPONENT</p>			6

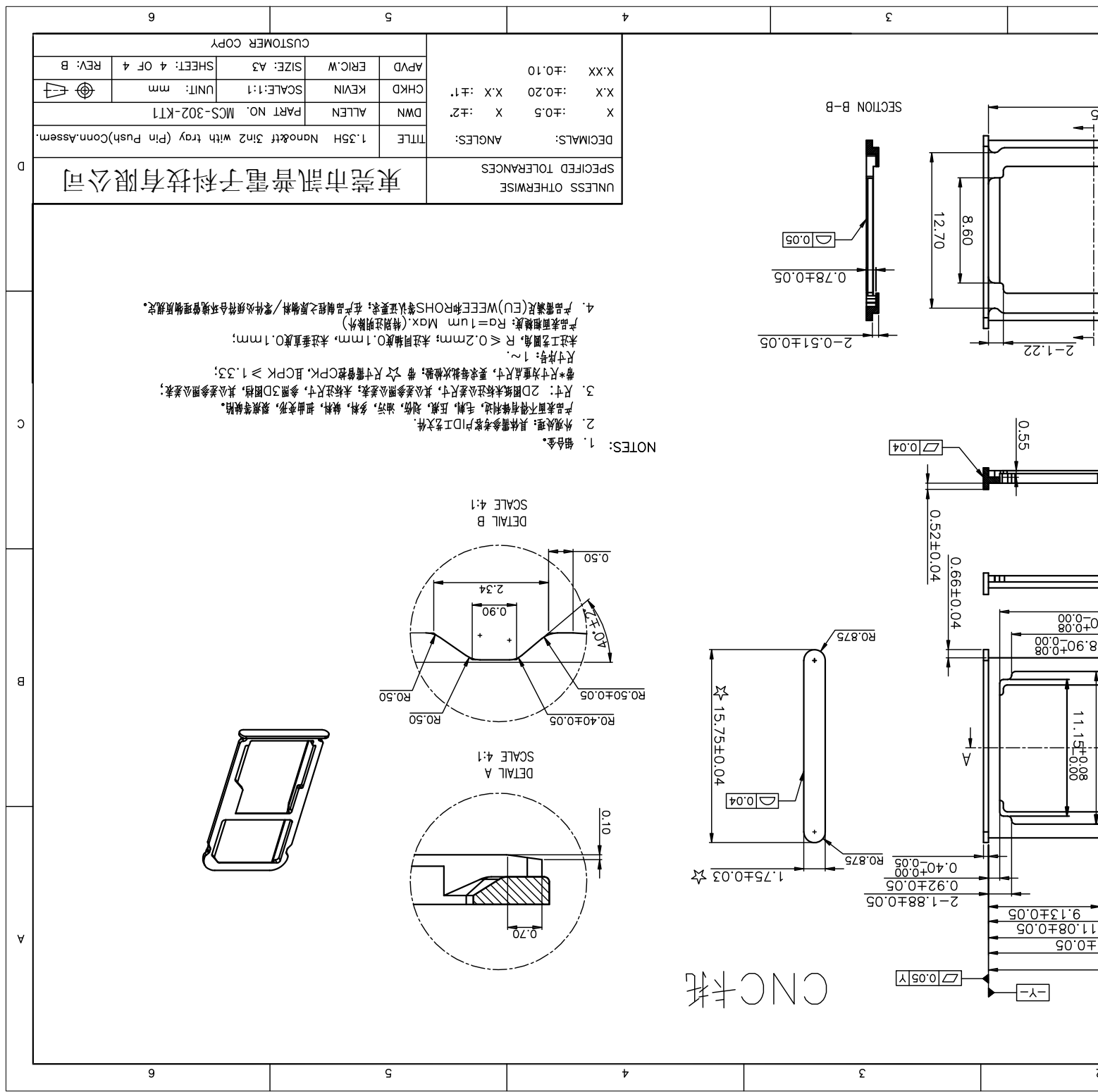


NOTES:

1. 铝合金.
2. 外观处理: 具体需参考客户ID工艺文件.
3. 尺寸: 2D图纸未标注公差尺寸, 其公差参照公差表; 未标注尺寸, 参照3D图纸, 其公差参照公差表; 带*尺寸为重点尺寸, 要求每批次检验; 带☆尺寸需管控CPK, 且CPK ≥ 1.33; 尺寸序号: 1~.
4. 未注工艺圆角, R ≤ 0.2mm; 未注同轴度0.1mm; 未注垂直度0.1mm; 产品表面粗糙度: Ra=1um Max. (特别注明除外)
5. 产品需满足(EU)WEEE和ROHS等认证要求; 在产品制程之原物料/零件处须符合环境管理物质规定.

UNLESS OTHERWISE SPECIFIED TOLERANCES		DECIMALS: ANGLES:	
X.XX : ±0.10		X : ±0.5 X X : ±2	
X.X : ±0.20 X.X : ±1			
TITLE: 1.35H Nano&ft 3in2 with tray (Pin Push)Conn.Assem.		DWN: ALLEN	
PART NO. MCS-302-KT1		CHKD: KEVIN	
SCALE: 1:1		ERIC.W	
UNIT: mm		SIZE: A3	
SHEET: 4 OF 4		REV: B	
CUSTOMER COPY			

东莞市讯普电子科技有限公司



X-ON Electronics

Largest Supplier of Electrical and Electronic Components

Click to view similar products for [Standard Card Edge Connectors](#) category:

Click to view products by [XUNPU](#) manufacturer:

Other Similar products are found below :

[6565204-6](#) [PKC-156](#) [1437274-4](#) [147889-1](#) [1489165-4](#) [EBT156-12B1X](#) [EBT15622B2X](#) [EBT156-22R2W](#) [1-582587-1](#) [1-582589-1](#) [2-6437275-9](#) [284-0102-12100](#) [306022901000000](#) [307-012-502-202](#) [307-024-526-201](#) [307-056-520-300](#) [307-080-526-208](#) [1926088-2](#) [245-062-520-350](#) [287-0032-12101](#) [306-010-500-112](#) [306-028-525-102](#) [306-240-318](#) [307-036-502-202](#) [307-036-521-301](#) [307-072-526-202](#) [345-060-559-303](#) [368-004-520-201](#) [392-008-559-201](#) [534671-1](#) [5-530501-5](#) [341-240-317](#) [345-029-520-300](#) [345-030-500-301](#) [345-044-500-300](#) [345-220-058](#) [346-240-318](#) [357-030-526-201](#) [387-012-523-300](#) [395-044-520-300](#) [395-100-524-300](#) [50-12B-10](#) [50-6SN-5](#) [09-07-2032](#) [10035388-106LF](#) [10035388-802LF](#) [10115859-011LF](#) [10122859-009LF](#) [101269333204245CLF](#) [10127905-B04B24BLF](#)