

APPROVAL SPECIFICATIONS

Title. Memory Card Connector

Product Model. SMN-327

Customer's Part NO.

Customer's Model:

Customer's Approval Requested.

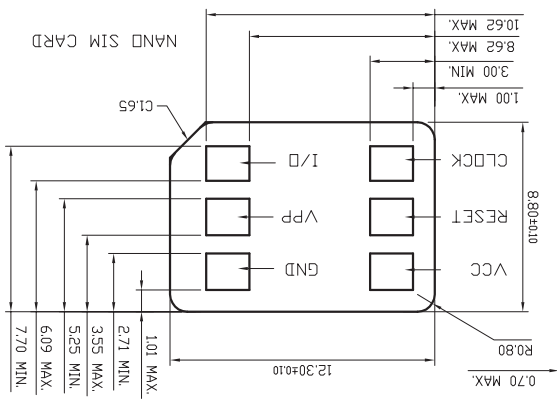
Please return this copy as a certification of your approval.

Checked by: _____ Date: _____

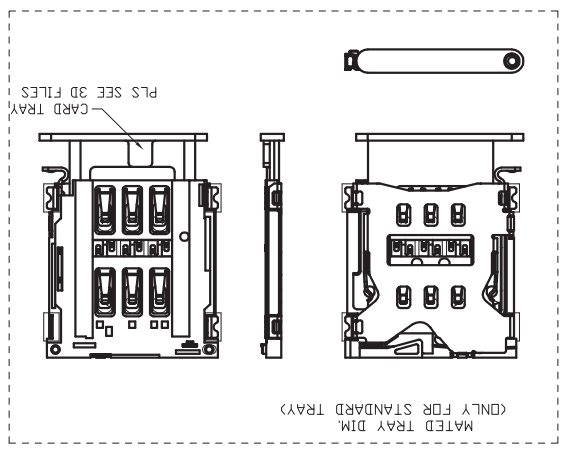
Approved by: _____ Date: _____

APPROVE	REVIEW	POLT
王凯	林永坚	陈旺

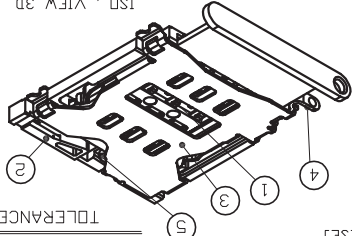
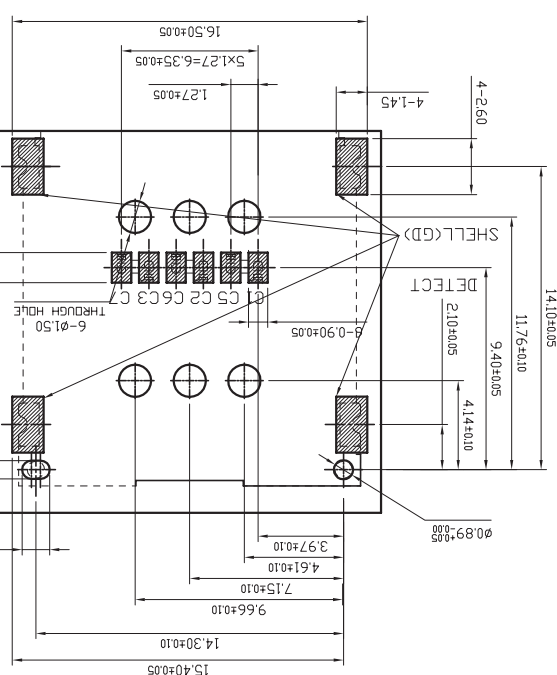
XUNPU ELECTRONICS CO.,LTD



- NOTES:
- 1-1: CURRENT RATING: 1 AMP/PIN. MAX.
 - 1-2: VOLTAGE: 30V DC. MAX.
 - 1-3: LOW LEVEL CONTACT RESISTANCE: 30 mΩms MAX. INITIALLY.
 - 1-4: DIELECTRIC WITHSTANDING VOLTAGE: 500V AC MIN. FOR 1 MINUTE.
 - 1-5: INSULATION RESISTANCE: 100MΩms MIN. (DC 500V FOR 1 MINUTE).
 - 2: MECHANICAL CHARACTERISTICS:
 - 2-1: DURABILITY: 1500 CYCLES.
 - 2-2: OPERATING FORCE (INSERTING & WITHDRAWAL): IN-10N.
 - 3: ENVIRONMENTAL CHARACTERISTICS:
 - 3-1: OPERATING TEMP. RANGE: -25°C TO 85°C. (INCLUDING TERMINAL TEMP. RISE)
 - 3-2: STORAGE TEMP.: -40°C TO 85°C.
 - 4: QUANTITY OF PRODUCTS: 1000PCS/REEL MIN.



1. ELECTRICAL CHARACTERISTICS:
- 1-1: CURRENT RATING: 1 AMP/PIN. MAX.
 - 1-2: VOLTAGE: 30V DC. MAX.
 - 1-3: LOW LEVEL CONTACT RESISTANCE: 30 mΩms MAX. INITIALLY.
 - 1-4: DIELECTRIC WITHSTANDING VOLTAGE: 500V AC MIN. FOR 1 MINUTE.
 - 1-5: INSULATION RESISTANCE: 100MΩms MIN. (DC 500V FOR 1 MINUTE).
2. MECHANICAL CHARACTERISTICS:
- 2-1: DURABILITY: 1500 CYCLES.
 - 2-2: OPERATING FORCE (INSERTING & WITHDRAWAL): IN-10N.
3. ENVIRONMENTAL CHARACTERISTICS:
- 3-1: OPERATING TEMP. RANGE: -25°C TO 85°C. (INCLUDING TERMINAL TEMP. RISE)
 - 3-2: STORAGE TEMP.: -40°C TO 85°C.
4. QUANTITY OF PRODUCTS: 1000PCS/REEL MIN.



ITEM	PART NAME	QTY	DESCRIPTION
5	HINGE	1	SUS, NO PLATING
4	LEVER	1	SUS, NO PLATING
3	SHELL	1	SUS, GOLD PLATING
2	HOUSING	1	LCP, BLACK
1	CONTACT	1	BRONZE ALLOY, GOLD PLATING

UNLESS OTHERWISE SPECIFIED TOLERANCES

DECIMALS: ANGLES: X ±0.5° X X ±2° X X ±0.20 X X ±1.0

TITLE: NAND SIM Card 6pin 1.5H CONN. WITH LEVER (NO DETECT)

DWN: JOHNLE PART NO. SMN-327

CHKD: KEVIN.D SCALE: 1:1 UNIT: mm

APVD: SIMONM SIZE: A4 SHEET: 1 OF 1 REV: B

CUSTOMER COPY

REV.	ECN NO OR DESCRIPTION	REVISED	DATE
1	取消外壳DIP脚, 提高组装效率	SIMON	2013.10.13
2	PRDPOSE ONLY	SIMON	2013.01.23
3			

东莞市讯普电子科技有限公司

X-ON Electronics

Largest Supplier of Electrical and Electronic Components

Click to view similar products for [Standard Card Edge Connectors](#) category:

Click to view products by [XUNPU](#) manufacturer:

Other Similar products are found below :

[6565204-6](#) [PKC-156](#) [1437274-4](#) [147889-1](#) [1489165-4](#) [EBT156-12B1X](#) [EBT15622B2X](#) [EBT156-22R2W](#) [1-582587-1](#) [1-582589-1](#) [2-6437275-9](#) [284-0102-12100](#) [306022901000000](#) [307-012-502-202](#) [307-024-526-201](#) [307-056-520-300](#) [307-080-526-208](#) [1926088-2](#) [245-062-520-350](#) [287-0032-12101](#) [306-010-500-112](#) [306-028-525-102](#) [306-240-318](#) [307-036-502-202](#) [307-036-521-301](#) [307-072-526-202](#) [345-060-559-303](#) [368-004-520-201](#) [392-008-559-201](#) [534671-1](#) [5-530501-5](#) [341-240-317](#) [345-029-520-300](#) [345-030-500-301](#) [345-044-500-300](#) [345-220-058](#) [346-240-318](#) [357-030-526-201](#) [387-012-523-300](#) [395-044-520-300](#) [395-100-524-300](#) [50-12B-10](#) [50-6SN-5](#) [09-07-2032](#) [10035388-106LF](#) [10035388-802LF](#) [10115859-011LF](#) [10122859-009LF](#) [101269333204245CLF](#) [10127905-B04B24BLF](#)