

APPROVAL SPECIFICATIONS

Title. IPX7 防水3.5耳机插座

Product Model. PJ-5410-CB1

Customer's Part NO.

Customer's Model:

Customer's Approval Requested.

Please return this copy as a certification of your approval.

Checked by: _____ Date: _____

Approved by: _____ Date: _____

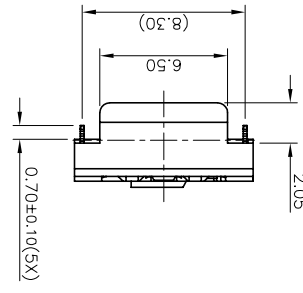
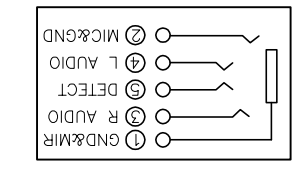
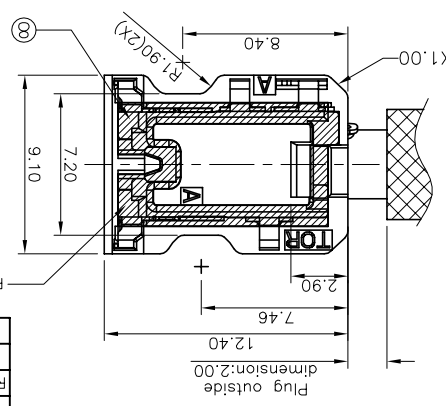
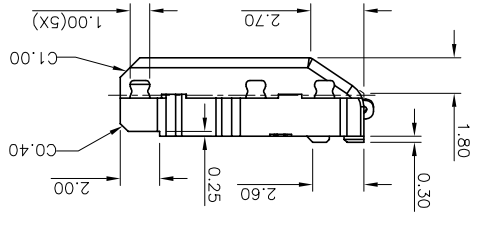
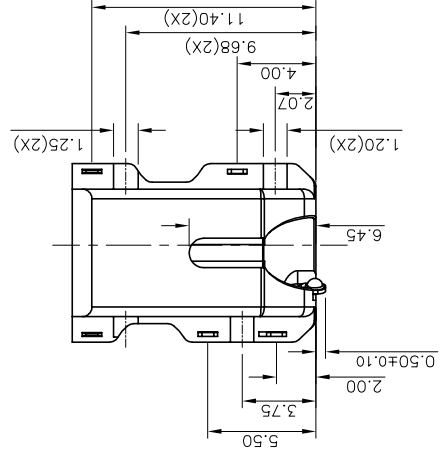
APPROVE	REVIEW	POLT
王凯	林永坚	陈旺

XUNPU ELECTRONICS CO.,LTD

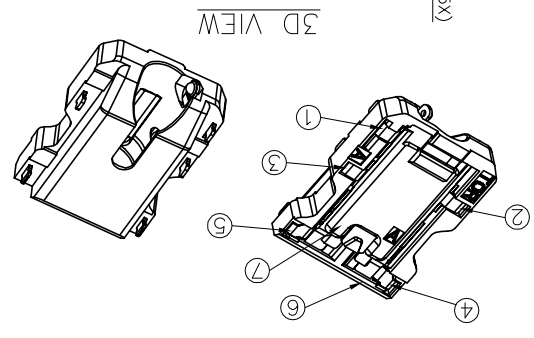
DESCRIPTION
ACK COLOR
ACK COLOR, UL94 V-0
ACK COLOR, UL94 V-0
Plated
Plated
Plated
Plated
Plated

This document is the property of Getwell development corporation.	
Unless otherwise specified, Tolerance:	±0.30
X	±0.20
X.x	±0.15
X.xx	±0.10
X.xxx	±0.05
Angles	±3°

DESIGN	DATE	CHECKED	DATE	APPROVED	DATE	DRAWING NO.	REV: A	SCALE: 3:1	UNIT: mm	SHEET: 1/1	SIZE: A4
東莞市訊普電子科技有限公司											
PHONE JACK CUSTOMER DRAWING											



- NOTES:
1. CONTACT CURRENT RATING:1A;
 2. CONTACT RESISTANCE:50mΩ MAX;
 3. INSULATION RESISTANCE:100MΩ MIN;
 4. DIELECTRIC WITHSTANDING:500V AC MIN;
 5. DURABILITY:10,000CYCLES MIN;
 6. CONNECTOR MATING FORCES:19.6N(2.00kgfMax);
 7. CONNECTOR UNMATING FORCES:
 - TEST BEFORE:4.9~19.6N (0.50~2.00gf);
 - TEST AFTER:2.94~19.6N (0.30~2.00gf);



REV.	ECN NO.	LOCATION	DESCRIPTION	DATE	DESIGN
A	N/A		INITIAL RELEASE		

X-ON Electronics

Largest Supplier of Electrical and Electronic Components

Click to view similar products for [DIN Connectors](#) category:

Click to view products by [XUNPU](#) manufacturer:

Other Similar products are found below :

[60KD4M](#) [12DL6MX](#) [12JL6M](#) [164-183](#) [17DN100-EX](#) [17DN101-EX](#) [SMD7FRA011](#) [16PJ224-E](#) [171-0278](#) [17PP048-EX](#) [M55116/1-2](#)
[KQLAX-8P](#) [M55116/10-0](#) [SMD5FRA021](#) [15AN84X](#) [13AL6FX](#) [61GA5F](#) [152-002-2-4](#) [0134 05](#) [MDC-004](#) [MDC-104](#) [MDC-204](#) [MDC-208](#)
[12BPKG](#) [DC-001](#) [DC-007](#) [591-0400](#) [591-0500](#) [DS1093-01-BN40](#) [593-0700](#) [MJ-372-4](#) [MJ-372-6](#) [MJ-372-8](#) [57PC5M](#) [592-0301](#) [592-0511](#)
[164-377](#) [610-0520](#) [0105 05](#) [0105 08](#) [0107 08-1](#) [690-0300](#) [0132 05](#) [930009200 MAB 4](#) [930071200 MAB 5 S](#) [930303517 MAB 3100 S](#)
[GRAU](#) [930345200 MAB 8 S](#) [930356517 MAS 70 S GRAU](#) [930952517 MAB 5100](#) [930954517 MAB 6100 GRAU](#)