

APPROVAL SPECIFICATIONS

Title. IPX8 24PIN防水TYPE-C插座

Product Model. TYC-341

Customer's Part NO.

Customer's Model:

Customer's Approval Requested.

Please return this copy as a certification of your approval.

Checked by: _____ Date: _____

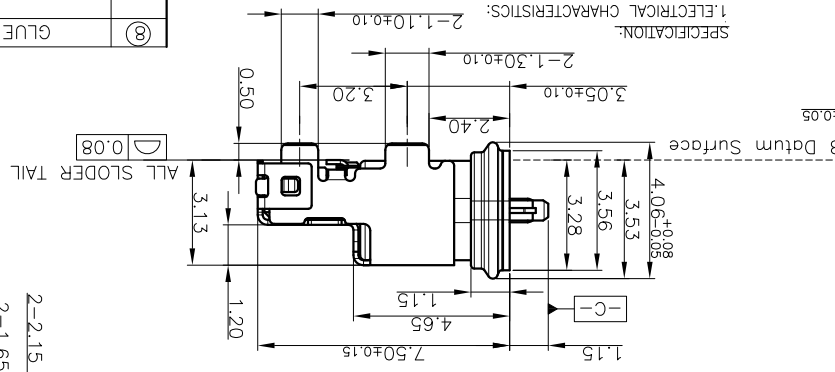
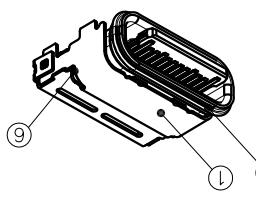
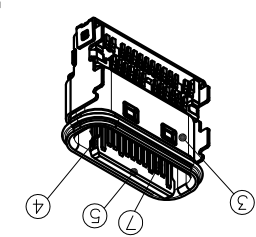
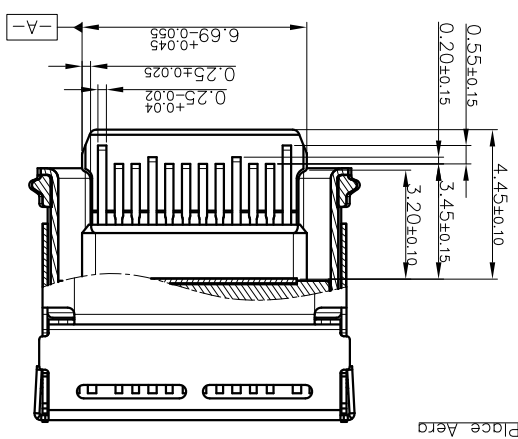
Approved by: _____ Date: _____

APPROVE	REVIEW	POLT
王凯	林永坚	陈旺

XUNPU ELECTRONICS CO.,LTD

Laser solder(positive and negative)

Place Aero

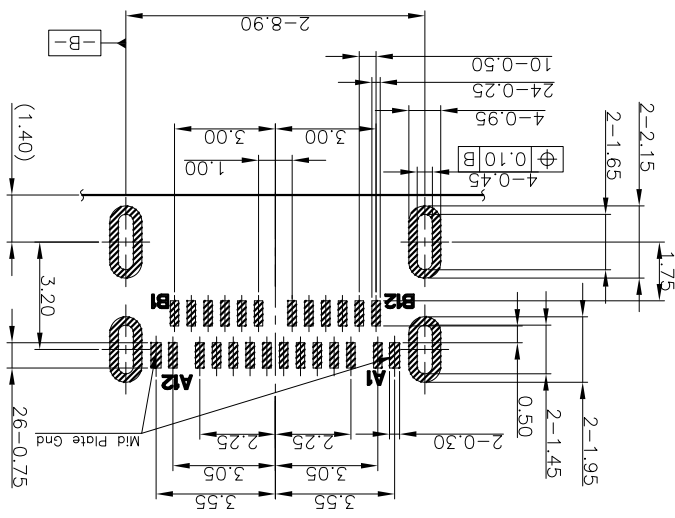


1. ELECTRICAL CHARACTERISTICS:
 1.1 CURRENT RATING: 5A
 1.2 CONTACT RATED VOLTAGE: 30V AC
 1.3 TEMPERATURE RANGE: -40 °C ~ 85 °C
 1.4 CONTACT RESISTANCE: 40 MILLIONHM MAX.
 1.5 DIELECTRIC WITHSTANDING VOLTAGE: 100 VAC r.m.s
 1.6 INSULATION RESISTANCE: 100 MEGOHMS MIN.
 2. MECHANICAL CHARACTERISTICS
 2.1 INSERTION FORCE: 5~20N
 2.2 EXTRACTION FORCE: Initial: 8~20N;
 Durability: 5~20N(10000cycles);
 3.2 IR REFLOW:
 THE PEAK TEMPERATURE ON THE BOARD SHALL
 BE MAINTAINED FOR 10 SECONDS AT 260°C.

REV.	ECN NO OR DESCRIPTION	REVISED	DATE
A	PROPOSE ONLY	ERIC	2018.08.15

PIN ASSIGNMENTS:

A1	A2	A3	A4	A5	A6	A7	A8	A9	A10	A11	A12
GND	TX1+	TX1-	VBUS	CC1	D+	D-	SBU1	VBUS	RX2-	RX2+	GND
B12	B11	B10	B9	B8	B7	B6	B5	B4	B3	B2	B1
GND	RX1+	RX1-	VBUS	SBU2	D+	D-	CC2	VBUS	TX2-	TX2+	GND



RECOMMENDED P.C.B LAYOUT (COMPONENT SIDE)
 PCB THICKNESS: 0.80±0.05mm
 DEFAULT TOLERANCE: ±0.05mm

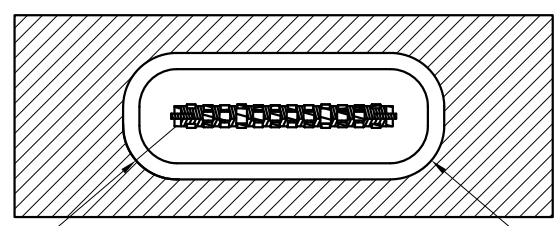
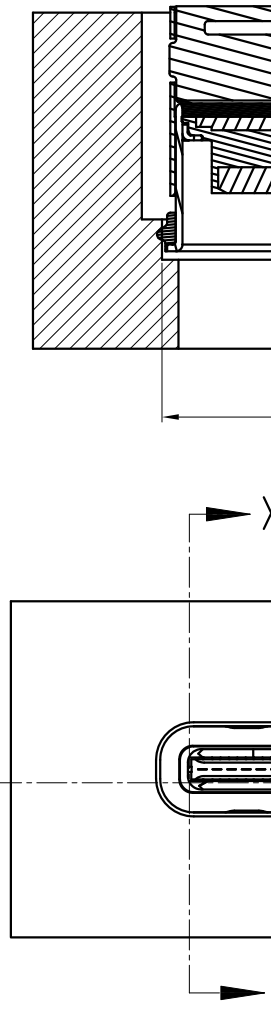
Item	PART NAME	QTY	Material	Treatment
⑧	GLUE	1	SILICONE	Black
⑦	CONTACT	1	Copper alloy	Au plating on contact area Ni plating on the soldering area
⑥	CLAMP	2	SUS	N/A
⑤	I/M HOUSING	1	Thermoplastic	Black
④	PLATE	1	SUS	Ni plating on the soldering area
③	SHELL	1	SUS	N/A
②	O-RING	1	SILICONE	N/A
①	CLIP	1	SUS	Ni plating on the soldering area

UNLESS OTHERWISE SPECIFIED TOLERANCES		TITLE: Type: C 24PIN Dull SMT CONN. WATERPROOF IPX8 DWN: chenjun PRT NO.: TYC-341 SCALE: 1:1 UNIT: mm SHEET: 1 OF 1 REV: A CUSTOMER COPY
DECIMALS: X : ±0.5 X X : ±2 ANGLES: X.X : ±0.30 X.X : ±1 X.XX : ±0.20 X.XXX : ±0.10		

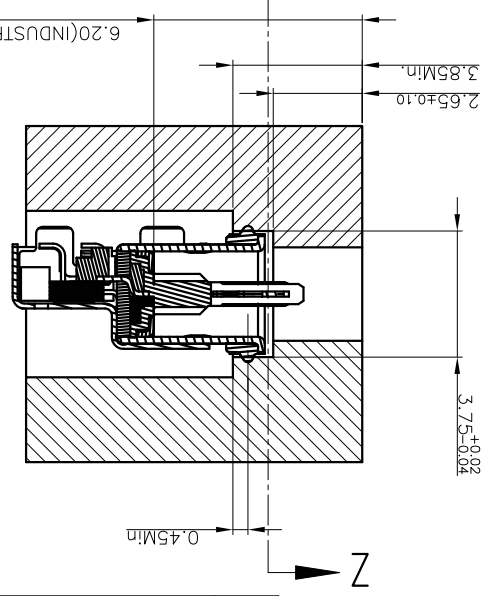
DRAW NO. 5
 4
 3
 6

東莞市訊普電子科技有限公司

OPENING DIMENSIONS
ING AREA WITH



SECTION X-X
SCALE: 5:1

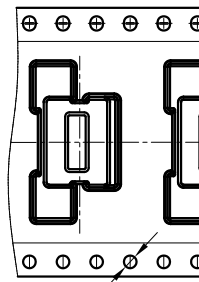
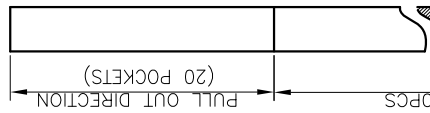
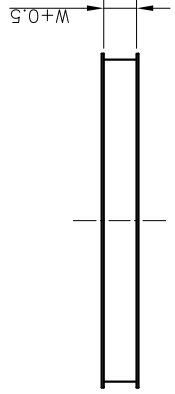


SECTION Z-L
SCALE: 5:1

UNLESS OTHERWISE SPECIFIED TOLERANCES		DRAW NO.	
X: ±0.5 X: ±2°		APVD Kevin.d	
X.X: ±0.30 X.X: ±1°		CHKD chenjun	
X.XXX: ±0.10		DWN chenjun	
X.XX: ±0.20		TITLE Type.C 24PIN Dull SMT CONN. WATERPROOF IPX8	
X.XXX: ±0.10		PART NO. TYC-341	
X.XX: ±0.20		SCALE: 1:1	
X.X: ±0.30		UNIT: mm	
X.XXX: ±0.10		SHEET: 10F1	
X.XX: ±0.20		REV: A	
X.X: ±0.30		CUSTOMER COPY	

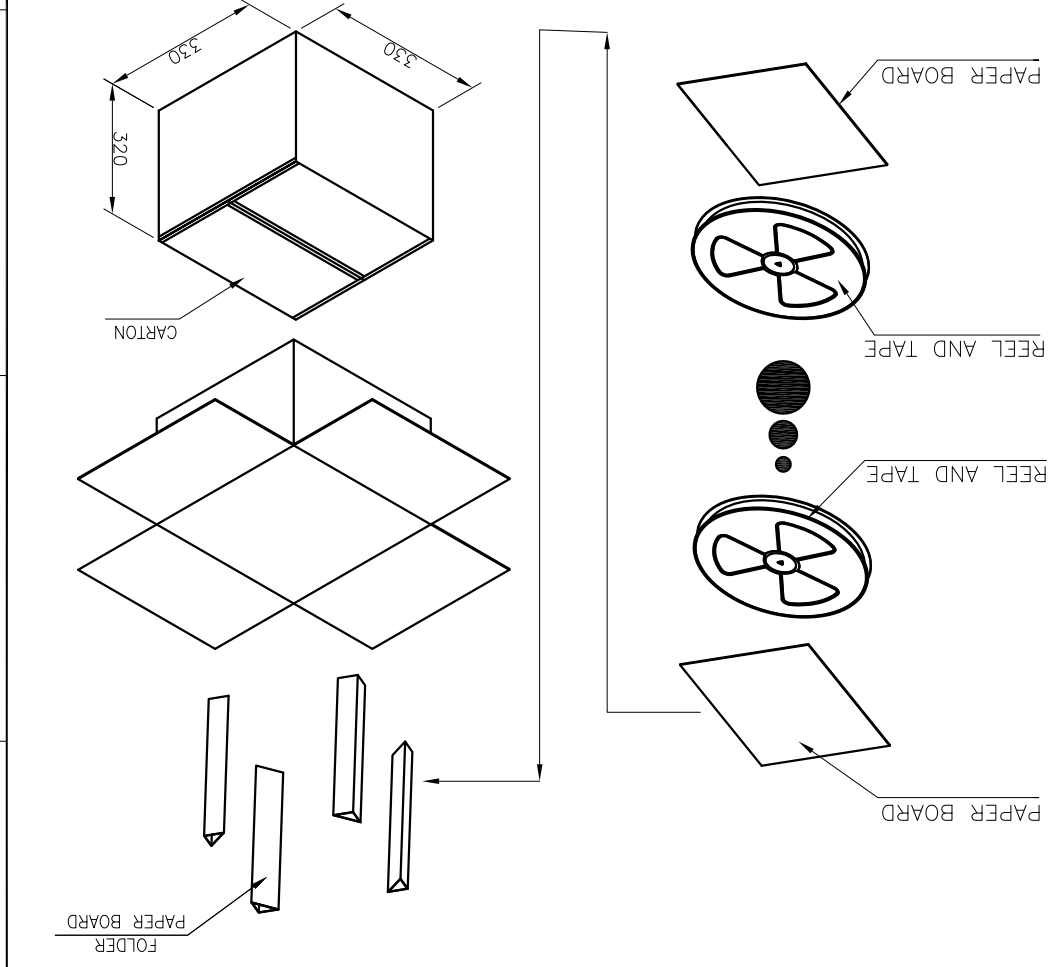
東莞市訊普電子科技有限公司

REV. A	ECN NO OR DESCRIPTION	PROPOSE ONLY	ERIC	2018.08.15
REVISED	DATE			



UNLESS OTHERWISE SPECIFIED TOLERANCES		DWN chenjun		PART NO. TYC-341	
TITILE Type.C 24PIN Dull SMT CONN. WATERPROOF IPX8		CHKD chenjun	SCALE:1:1	UNIT: mm	REV: A
APVD Kevin.d		SIZE: A4	SHEET:10F1		
DRAW NO.		CUSTOMER COPY			

CONN. PART NO.	TYC-341	CONN. QTY./REEL	1000	REEL QTY./CARTON	10	CONN. QTY./CARTON	10000 PCS
----------------	---------	-----------------	------	------------------	----	-------------------	-----------



REV.	ECN NO OR DESCRIPTION	REVISED	DATE
A	PROPOSE ONLY	ERIC	2018.08.15

東莞市訊普電子科技有限公司

X-ON Electronics

Largest Supplier of Electrical and Electronic Components

Click to view similar products for [USB Connectors](#) category:

Click to view products by [XUNPU](#) manufacturer:

Other Similar products are found below :

[10033527-N3112MLF](#) [17-210561](#) [GMCB05B11124H1EU](#) [17-200931](#) [65-647-8-BK-BU](#) [690-010-295-484](#) [73725-1191BLF](#) [950](#) [E8144-B01021-L](#) [A-USB A-LP-SMT-C](#) [A-USB B-TOP-C](#) [MUSBA511N5](#) [MUSBB15131](#) [MUSBC111M5](#) [MUSBD11135](#) [217450-1](#) [CA 6 W LD](#)
[896-30-004-00-000000](#) [KUSBVX-BS1N-W30](#) [KUSBX-AP-KIT-SCBLK](#) [KUSBX-AS2N-W](#) [KUSBX-SMT2AP1S-W](#) [KUSBX-SMTAS1NBTR](#) [KUSBX-SMTBS1NBTR](#) [30-498-6](#) [SK-60A-2](#) [17-200261](#) [17-210051](#) [1734082-1](#) [FK-37-32SL](#) [30-1574](#) [30-470](#) [30-489](#) [30-541](#) [30-572-3](#) [30-9503](#) [M9177/2-1](#) [MAB 5 S](#) [MIKROE-1451](#) [33UBBR-04SW11R](#) [USBFTV2PEM2G](#) [USBFTVC6ZN](#) [USBFTVSCCG](#)
[KUSBX-AS2N-W30](#) [KUSBX-SLAS1N-W](#) [KUSBX-SLAS1N-W30](#) [1-1734084-2](#) [E8110-001-01](#) [MUSBC11135](#) [NK-27-32SL](#)