

APPROVAL SPECIFICATIONS

Title. NANO SIM+NANO SIM+TF三選二卡座

Product Model. MCS-303

Customer's Part NO.

Customer's Model:

Customer's Approval Requested.

Please return this copy as a certification of your approval.

Checked by: _____ Date: _____

Approved by: _____ Date: _____

APPROVE	REVIEW	POLT
王凯	林永坚	陈旺

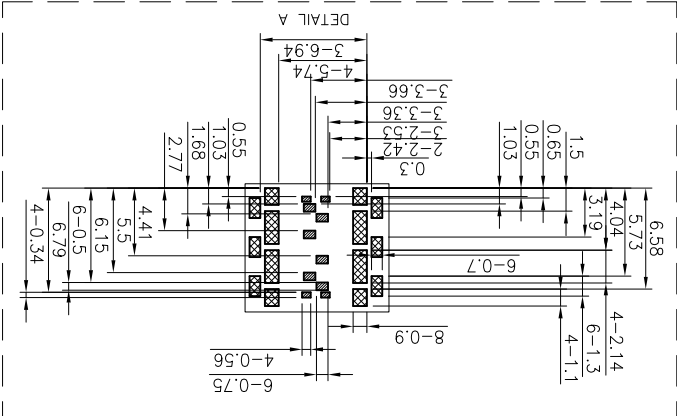
XUNPU ELECTRONICS CO.,LTD

action and only for mechanical function

action and only for mechanical function

SMT process

UNLESS OTHERWISE SPECIFIED TOLERANCES		東莞市凱普電子科技有限公司	
DECIMALS:	ANGLES:	TITLE	1.35H Nano&tf 3in2 with tray (Pin Push)Conn.
X : ±0.5	X X : ±2	DWN	ALLEN
X X : ±0.20	X X : ±1	CHKD	KEVIN
X XX : ±0.10		APVD	ERIC.W
		SIZE:	A3
		SHEET:	10F 1
		REV:	A
		PART NO.	MCS-303-A1



Pin	NAME
P13	Detect Switch
P1~P12	Ground

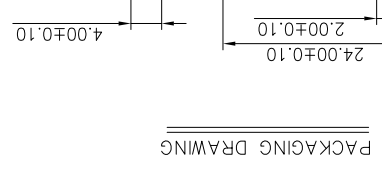
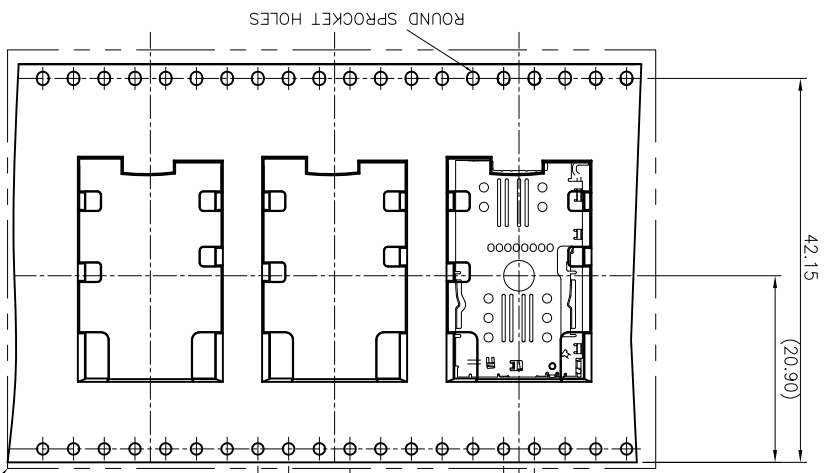
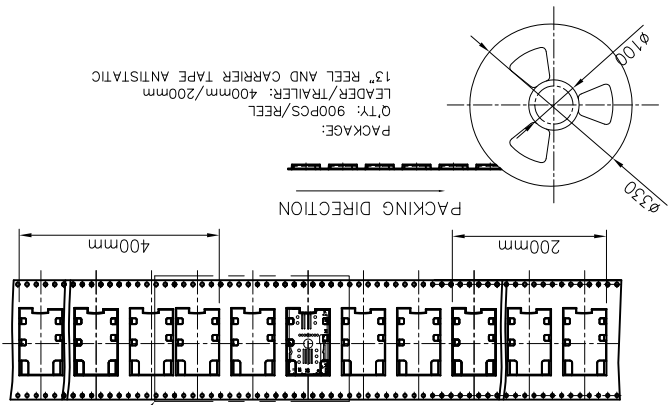
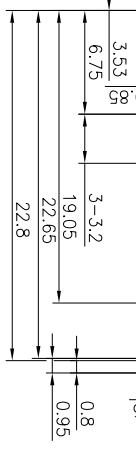
Holder Pin Definition

NANO SIM	NAME
S1,S11,S2,S12	Vcc
S3,S13	RST
S4,S5,S14,S15	CLK
S6,S7,S16,S17	I/O
S8,S18	Vpp
S9,S10,S19,S20	GND

SIM Block Pin Definition

Pin	NAME
C1	DAT2
C2	CD/DAT3
C3	CMD
C4	Vpp
C5	CLK
C6	Vss
C7	DAT0
C8	DAT1

USD Block Pin Definition



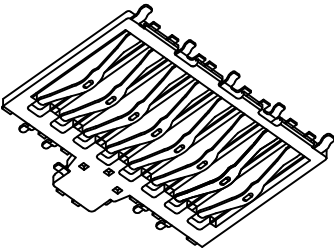
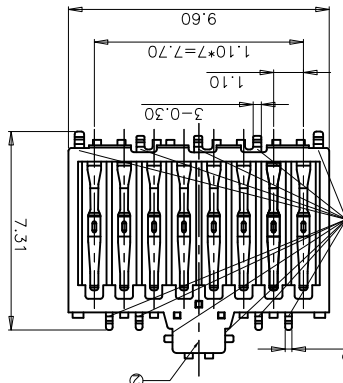
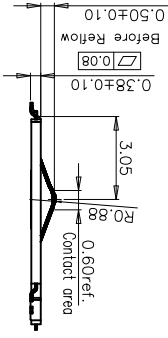
PACKAGE: 900PCS/REEL
 QTY: 900PCS/REEL
 LEADER/TRAILER: 400mm/200mm
 13" REEL AND CARRIER TAPE ANTISTATIC

6 5 4 3

D C B A

6 5 4 3

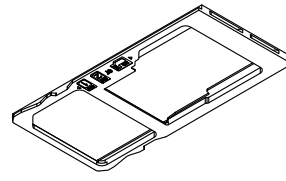
<p>UNLESS OTHERWISE SPECIFIED TOLERANCES</p> <p>DECIMALS: ANGLES: TITLE: 0.3H SIM CARD CONN.</p> <p>DWN ALLEN PART NO. MCS-303-B1</p> <p>CHKD KEVIN SCALE:1:1 UNIT: mm</p> <p>APVD ERIC.W SIZE: A3 SHEET:10F 1 REV: A1</p> <p>CUSTOMER COPY</p>												<p>THIS AREA SHOULD BE FREE OF ANY CONDUCTIVE TRACES</p> <p>SMT SOLDER AREA</p> <p>OPEN WIRE RESTRICTED AREA (POSSIBLY TOUCH OF COMPONENTS ON PCB)</p>												<p>NANO SIM Pin definition</p> <table border="1"> <tr><th>PIN</th><th>NAME</th></tr> <tr><td>S1,S2</td><td>Vcc</td></tr> <tr><td>S3</td><td>RST</td></tr> <tr><td>S4,S5</td><td>CLK</td></tr> <tr><td>S6,S7</td><td>I/O</td></tr> <tr><td>S8</td><td>Vpp</td></tr> <tr><td>S9,S10</td><td>GND</td></tr> </table>												PIN	NAME	S1,S2	Vcc	S3	RST	S4,S5	CLK	S6,S7	I/O	S8	Vpp	S9,S10	GND												
PIN	NAME																																																												
S1,S2	Vcc																																																												
S3	RST																																																												
S4,S5	CLK																																																												
S6,S7	I/O																																																												
S8	Vpp																																																												
S9,S10	GND																																																												
<p>NO. PART NAME QTY MATERIAL</p> <p>① Contact 1 NKT-322</p> <p>② Housing 1 LCP 6808</p>												<p>DESCRIPTION</p> <p>Under Plating:Ni 1.25um min</p> <p>Solder area:Plating Au 0.25um min</p> <p>Contact area:Plating Au 0.25um min</p> <p>COLOUR:BLACK</p> <p>UL 94V-0</p>												<p>REMARK</p> <p>T=0.08±0.01mm</p>																																					
<p>3. MECHANICAL:</p> <p>3.1 Contact Force:0.2N Min</p> <p>Humidity 80% R.H MAX</p> <p>2.8 Operating condition:Temperature-20C~+85C;</p> <p>2.7 Durability:3000 Cycles Min.</p> <p>2.6 Solder ability:245±5C, 5±0.5s.</p> <p>2.5 Dielectric withstanding voltage: 500V AC 1 MINUTE.</p> <p>2.4 Insulation Resistance:100MΩ MIN 500V DC</p> <p>2.3 Contact Resistance:60mΩ MAX</p> <p>2.2 Rated voltage:10V DC</p> <p>2.1 Rated current:0.5A Max</p> <p>2. SPECIALITY:</p> <p>1. MATERIAL:SEE TABLE 1.</p> <p>NOTES:</p>																								<p>東莞市訊普電子科技有限公司</p>																																					

<p>6</p>	<p>5</p>	<p>4</p>	<p>3</p>																																		
<p>CUSTOMER COPY</p> <table border="1"> <tr> <td>APVD</td> <td>ERIC.W</td> <td>SIZE: A3</td> <td>SHEET: 10F 1</td> <td>REV: A1</td> </tr> <tr> <td>CHKD</td> <td>KEVIN</td> <td>SCALE: 1:1</td> <td>UNIT: mm</td> <td></td> </tr> <tr> <td>DWN</td> <td>ALLEN</td> <td>PART NO. MCS-303-C1</td> <td></td> <td></td> </tr> </table>		APVD	ERIC.W	SIZE: A3	SHEET: 10F 1	REV: A1	CHKD	KEVIN	SCALE: 1:1	UNIT: mm		DWN	ALLEN	PART NO. MCS-303-C1			<p>UNLESS OTHERWISE SPECIFIED TOLERANCES</p> <table border="1"> <tr> <td>NO.</td> <td>PART NAME</td> <td>QTY</td> <td>MATERIAL</td> <td>DESCRIPTION</td> <td>REMARK</td> </tr> <tr> <td>①</td> <td>Contact</td> <td>1</td> <td>COPPER ALLOY</td> <td>Contact Area: Au 1U"Min; Under plate Ni 50U"Min oil over T=0.08±0.01mm</td> <td></td> </tr> <tr> <td>②</td> <td>Housing</td> <td>1</td> <td>LCP</td> <td>COLOUR:BLACK</td> <td>UL 94V-0</td> </tr> </table>	NO.	PART NAME	QTY	MATERIAL	DESCRIPTION	REMARK	①	Contact	1	COPPER ALLOY	Contact Area: Au 1U"Min; Under plate Ni 50U"Min oil over T=0.08±0.01mm		②	Housing	1	LCP	COLOUR:BLACK	UL 94V-0	<p>DECIMALS: ANGLES: TITLE</p> <p>X: ±0.5 X: ±2°</p> <p>X.X: ±0.20 X.X: ±1'</p> <p>X.XX: ±0.10</p> <p>0.3H Micro SD CARD BLOCK CONN.</p> <p>東莞市訊普電子科技有限公司</p>	<p>1. Touch area of contact tips, no electrical function and only for mechanical function</p> <p>2. Don't brush Tin pasted on the area during SMT process.</p>
APVD	ERIC.W	SIZE: A3	SHEET: 10F 1	REV: A1																																	
CHKD	KEVIN	SCALE: 1:1	UNIT: mm																																		
DWN	ALLEN	PART NO. MCS-303-C1																																			
NO.	PART NAME	QTY	MATERIAL	DESCRIPTION	REMARK																																
①	Contact	1	COPPER ALLOY	Contact Area: Au 1U"Min; Under plate Ni 50U"Min oil over T=0.08±0.01mm																																	
②	Housing	1	LCP	COLOUR:BLACK	UL 94V-0																																
<p>NO. PART NAME QTY MATERIAL DESCRIPTION REMARK</p>		<p>① Contact 1 COPPER ALLOY</p> <p>② Housing 1 LCP</p>	<p>Pad area(only for mechanical function)</p> <p>Open wire restricted area</p> <p>Soldering Pad area</p> <p>(possibly touch of components on PCB)</p> <p>Connector outline</p>																																		
<p>NOTES:</p> <p>1. MATERIAL:SEE TABLE 1.</p> <p>2. SPECIALITY:</p> <p>2.1 Rated current:0.5A Max</p> <p>2.2 Rated voltage:10V DC</p> <p>2.3 Contact Resistance:60mΩ MAX</p> <p>2.4 Insulation Resistance:1000MΩ MIN 500V DC</p> <p>2.5 Dielectric withstanding voltage: 500V AC 1 MINUTE.</p> <p>2.6 Solder ability:245±5°C, 5±0.5s.</p> <p>2.7 Durability:3000 Cycles Min.</p> <p>2.8 Operating condition:Temperature-20°C~+85°C; Humidity 80% R.H MAX</p> <p>3. MECHANICAL:</p> <p>3.1 Contact Force:0.2N Min</p>		<p>UL 94V-0</p>	<p>µSD Block Pin Definition</p> <table border="1"> <tr><td>PIN</td><td>NAME</td></tr> <tr><td>C8</td><td>DATA1</td></tr> <tr><td>C7</td><td>DATA0</td></tr> <tr><td>C6</td><td>VSS2</td></tr> <tr><td>C5</td><td>CLK</td></tr> <tr><td>C4</td><td>VCD</td></tr> <tr><td>C3</td><td>CMD</td></tr> <tr><td>C2</td><td>CD/DATA3</td></tr> <tr><td>C1</td><td>DATA2</td></tr> <tr><td></td><td>PIN</td></tr> </table>	PIN	NAME	C8	DATA1	C7	DATA0	C6	VSS2	C5	CLK	C4	VCD	C3	CMD	C2	CD/DATA3	C1	DATA2		PIN														
PIN	NAME																																				
C8	DATA1																																				
C7	DATA0																																				
C6	VSS2																																				
C5	CLK																																				
C4	VCD																																				
C3	CMD																																				
C2	CD/DATA3																																				
C1	DATA2																																				
	PIN																																				
																																					

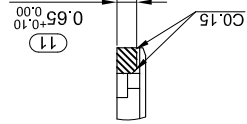
行, 多料, 扭曲变形, 裂痕
 标注尺寸, 参考3D图档,
 木图纸, 项目所有的不同卡
 参考模型。

UNLESS OTHERWISE SPECIFIED TOLERANCES		DECIMALS: ANGLES:		TITLE	
X ±0.5 X ±2°		DWN ALLEN		双Nano&TF三选二卡托(单体)冲压件	
X X ±0.20 X X ±1°		CHKD KEVIN		PART NO. MCS-303-KT1	
X XX ±0.10		APVD ERIC.W		SCALE:1:1	
CUSTOMER COPY		SIZE: A3		UNIT: mm	
		SHEET: 1 OF 1		REV: B	

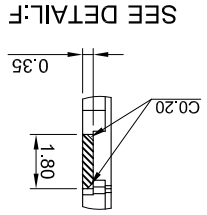
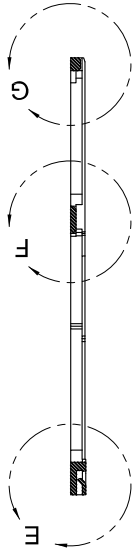
東莞市訊普電子科技有限公司



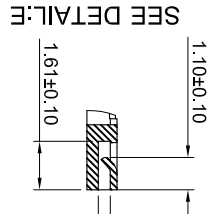
SEE DETAIL:G



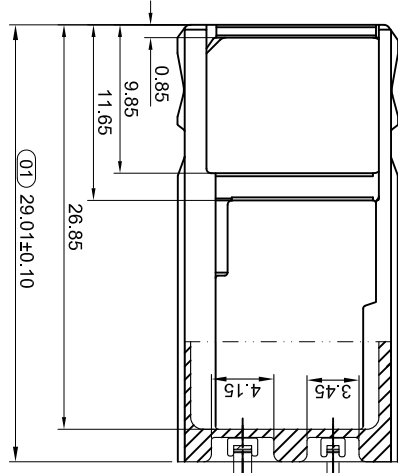
SECTION:A-A



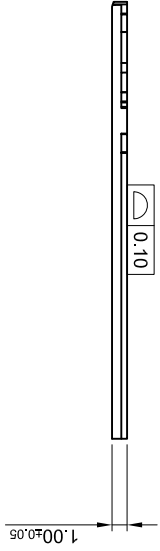
SEE DETAIL:F



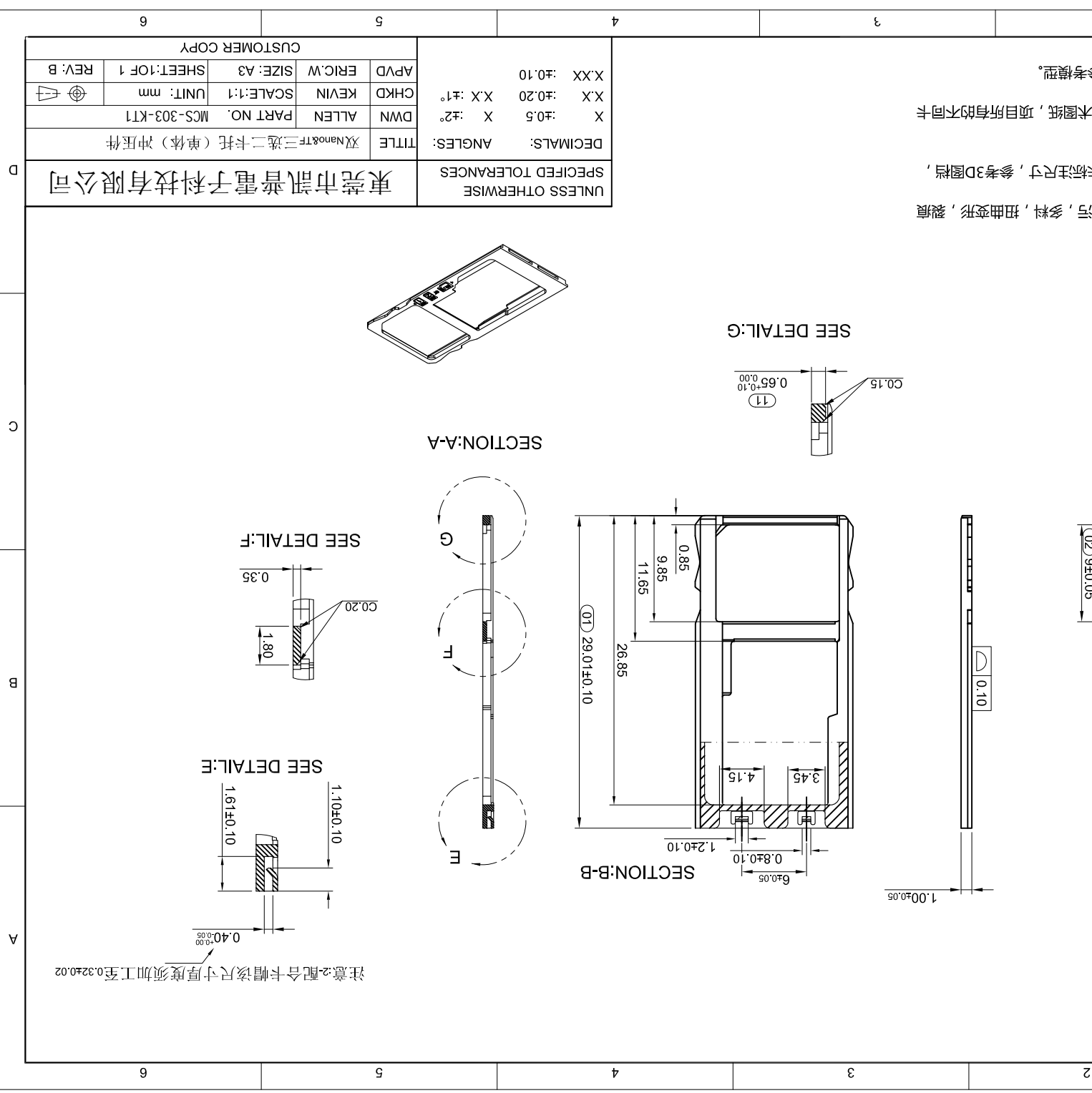
SEE DETAIL:E



SECTION:B-B



注意:2-配合卡帽该尺寸厚度须加工至0.32±0.02



X-ON Electronics

Largest Supplier of Electrical and Electronic Components

Click to view similar products for [Standard Card Edge Connectors](#) category:

Click to view products by [XUNPU](#) manufacturer:

Other Similar products are found below :

[6565204-6](#) [PKC-156](#) [1437274-4](#) [147889-1](#) [1489165-4](#) [EBT156-12B1X](#) [EBT15622B2X](#) [EBT156-22R2W](#) [1-582587-1](#) [1-582589-1](#) [2-6437275-9](#) [284-0102-12100](#) [306022901000000](#) [307-012-502-202](#) [307-024-526-201](#) [307-056-520-300](#) [307-080-526-208](#) [1926088-2](#) [245-062-520-350](#) [287-0032-12101](#) [306-010-500-112](#) [306-028-525-102](#) [306-240-318](#) [307-036-502-202](#) [307-036-521-301](#) [307-072-526-202](#) [345-060-559-303](#) [368-004-520-201](#) [392-008-559-201](#) [534671-1](#) [5-530501-5](#) [341-240-317](#) [345-029-520-300](#) [345-030-500-301](#) [345-044-500-300](#) [345-220-058](#) [346-240-318](#) [357-030-526-201](#) [387-012-523-300](#) [395-044-520-300](#) [395-100-524-300](#) [50-12B-10](#) [50-6SN-5](#) [09-07-2032](#) [10035388-106LF](#) [10035388-802LF](#) [10115859-011LF](#) [10122859-009LF](#) [101269333204245CLF](#) [10127905-B04B24BLF](#)