

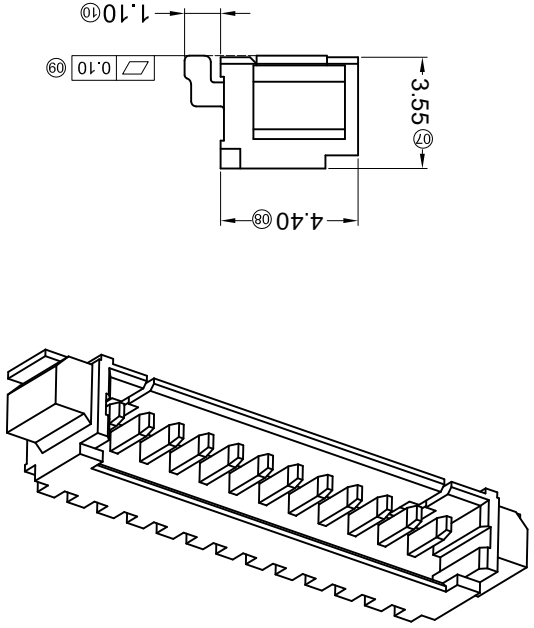
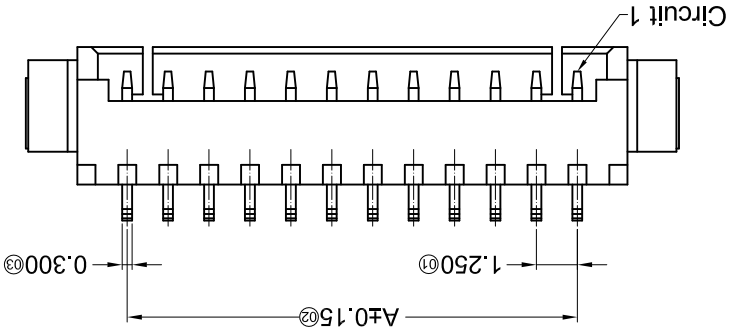
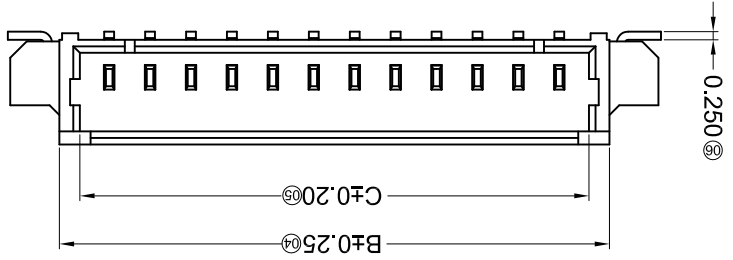
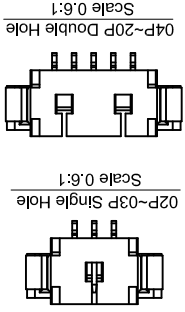
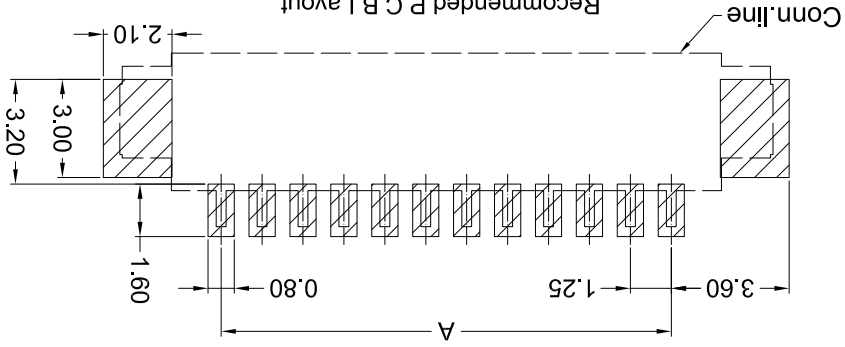
For and on behalf of
XKB INDUSTRIAL PRECISION CO., LIMITED
 香港星洲工業精密有限公司

REVISIONS
 Authorized Signatures(s)

MARK	DESCRIPTION	DATE	REVISED	APPROVED	UNSPECIFIED TOLERANCES
△ X					± 0.5
△ X					$16 < L \leq 63$
△ X					$4 < L \leq 16$
△ X					$L \leq 4$
					ANGULAR
					$\pm 5^\circ$

REVISION	SHEET	WEIGHT	1.0g	1/1	A0
XKB INDUSTRIAL PRECISION CO., LIMITED					
DATE	DATE	DATE	DATE	DATE	DATE
DNSD	DWN	CHKD	APPD		
SCALE: N/A	VIEW:	UNIT: mm	SIZE: A4		
MODEL TYPE: X9821WRS-XX-9T SN	PART NO.:	DWG NO.:			

Recommended P.C.B Layout
 General Tolerance ± 0.05



Poles	Dimensions(mm)		
	A	B	C
02	1.25	4.25	3.05
03	2.50	5.50	4.30
04	3.75	6.75	5.55
05	5.00	8.00	6.80
06	6.25	9.25	8.05
07	7.50	10.50	9.30
08	8.75	11.75	10.55
09	10.00	13.00	11.80
10	11.25	14.25	13.05
11	12.50	15.50	14.30

Dimensions(mm)			Poles
A	B	C	
18.00	16.75	15.55	C
18.00	16.75	16.80	B
19.25	18.05	18.05	A
20.50	19.30	19.30	C
21.80	20.55	20.55	B
23.00	21.75	21.80	A
24.25	23.05	23.05	C
25.50	24.30	24.30	B
26.75	25.55	25.55	A

PART NO	Material	Material(Pin)	Finish(Pin)	Material (Solder Tabs)	Finish (Solder Tabs)	Suitable XKB Terminal
X9821WRS-XX-9T SN	Nylon 9T UL 94V-0	Brass	Tin-Plated	Brass	Tin-Plated	X9821H

■ Specifications :

- Voltage rating: 125V AC / DC
- Current rating: 1A AC / DC
- Withstanding voltage: 250V AC/minute
- Temperature range: -25°C~+85°C
- Insulation resistance: $\geq 100M\Omega$
- Contact resistance: $\leq 20m\Omega$
- After environmental testing: $\leq 40m\Omega$

X9821 W R S - XX X - 9T SN XX

- Series No.
- Category: W-wafer
- Welding Board Angle: R-Right Angle 90°
- Welding Way: S-SMT
- Row No.-Pin No.: XX-02P~20P
- Plug the Pin & Special NO.
- Material: 9T-PA9T 94V-0
- Plating Category: SN-Bright tin plating
- Color: Blank-natural color

X-ON Electronics

Largest Supplier of Electrical and Electronic Components

Click to view similar products for [Headers & Wire Housings](#) category:

Click to view products by [XKB](#) manufacturer:

Other Similar products are found below :

[95000-104TRLF](#) [10135584-644402LF](#) [DF62W-EP2022PCA](#) [95000-106TRLF](#) [DF62W-2022SCA](#) [DF62W-EP2022PC](#) [2203348](#) [DF62W-2022SC](#) [1084018](#) [1029039](#) [1084017](#) [802-10-012-10-002000](#) [1112640](#) [1112639](#) [891-007-9SS-BST1T](#) [000-34000](#) [0008550134](#) [0009482033](#) [0009507031](#) [57102-F02-18ULF](#) [57102-S06-03LF](#) [57202-S52-04LF](#) [PCN6-15S-2.5E](#) [0039019024](#) [58102-G61-06LF](#) [582553-1](#) [0009485154](#) [0009508121](#) [0022285053](#) [0050291907](#) [018731A](#) [LY20-4P-DT1-P1E-BR](#) [02.125.8002.8](#) [60101931](#) [60598-1 \(Cut Strip\)](#) [M1625-3R/100](#) [61062-3](#) [61082-181009](#) [CSU011177004](#) [636-1427](#) [638009-1](#) [641938-9](#) [641991-4](#) [644168-1](#) [644827-2](#) [647662-1](#) [65039-019ELF](#) [65692-001LF](#) [65781-018](#) [65781-047](#)