

For and on behalf of  
**XKB INDUSTRIAL PRECISION CO., LIMITED**  
 香港星洲工業精密有限公司

REVISIONS  
 Authorized Signatures(s)

MARK	DESCRIPTION	DATE	REVISED	APPROVED	UNSPECIFIED TOLERANCES
△ X					$\pm 0.5$
△ X					$16 < L \leq 63$
△ X					$4 < L \leq 16$
△ X					$L \leq 4$
					ANGULAR $\pm 5^\circ$

REVISION	SHEET	WEIGHT	1.0g	8
A0	1/1			

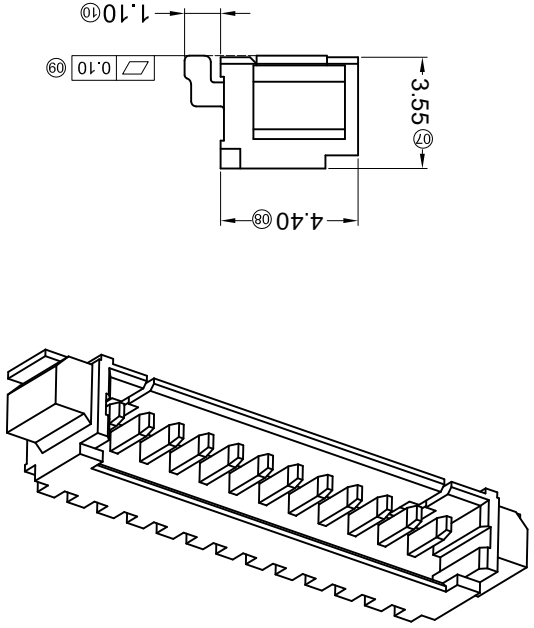
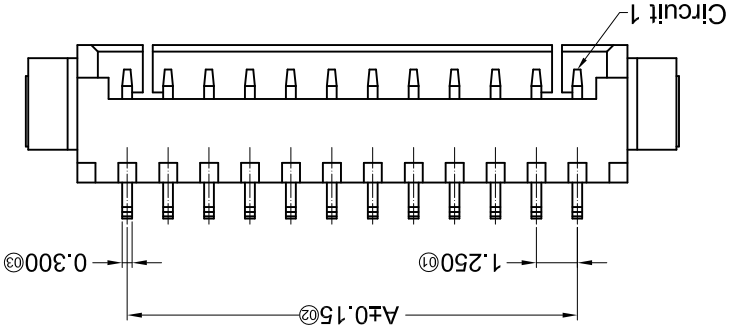
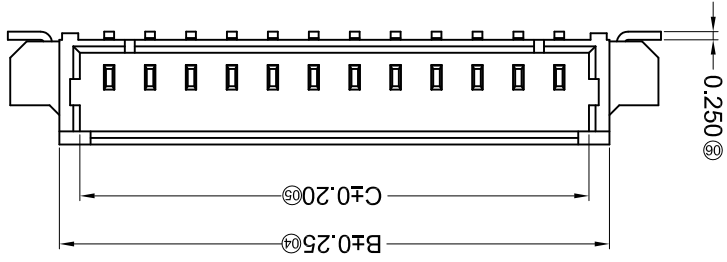
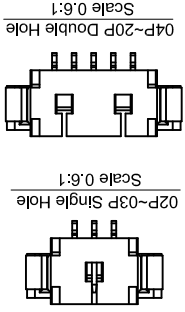
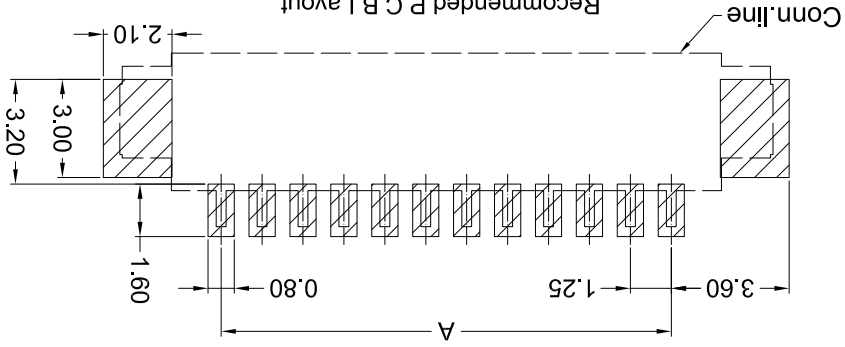
DATE	VIEW	VIEW	DATE	DATE	DATE	DATE	DATE	DATE	DATE

APPD	CHKD	DWN	DSND

SIZE	UNIT	SCALE
A4	mm	N/A

MODEL TYPE	PART NO.	DWG NO.
X9821WRS-XX-9T SN		1.25mm Crimp Style Connectors

Recommended P.C.B Layout  
 General Tolerance  $\pm 0.05$



Poles	Dimensions(mm)		Poles	Dimensions(mm)	
	A	B		C	A
02	1.25	4.25	12	13.75	16.75
03	2.50	5.50	13	15.00	18.00
04	3.75	6.75	14	16.25	19.25
05	5.00	8.00	15	17.50	20.50
06	6.25	9.25	16	18.75	21.75
07	7.50	10.50	17	20.00	23.00
08	8.75	11.75	18	21.25	24.25
09	10.00	13.00	19	22.50	25.50
10	11.25	14.25	20	23.75	26.75
11	12.50	15.50			

■ Specifications :

- Voltage rating: 125V AC / DC
- Current rating: 1A AC / DC
- Withstanding voltage: 250V AC/minute
- Temperature range: -25°C~+85°C
- Insulation resistance:  $\geq 100M\Omega$
- Contact resistance:  $\leq 20m\Omega$
- After environmental testing:  $\leq 40m\Omega$

X9821 WRS - XX X - 9T SN XX  
 ① Series No.  
 ② Category: W-wafer  
 ③ Welding Board Angle: R-Right Angle 90°  
 ④ Welding Way: S-SMT  
 ⑤ Row No.-Pin No.: XX-02P~20P  
 ⑥ Plug the Pin & Special NO.  
 ⑦ Material: 9T-PA9T 94V-0  
 ⑧ Plating Category: SN-Bright tin plating  
 ⑨ Color: Blank-natural color

## X-ON Electronics

Largest Supplier of Electrical and Electronic Components

*Click to view similar products for [Headers & Wire Housings](#) category:*

*Click to view products by [XKB](#) manufacturer:*

Other Similar products are found below :

[95000-104TRLF](#) [10135584-644402LF](#) [DF62W-EP2022PCA](#) [95000-106TRLF](#) [DF62W-2022SCA](#) [DF62W-EP2022PC](#) [2203348](#) [DF62W-2022SC](#) [1084018](#) [1029039](#) [1084017](#) [802-10-012-10-002000](#) [1112640](#) [1112639](#) [891-007-9SS-BST1T](#) [000-34000](#) [0008550134](#) [0009482033](#) [0009507031](#) [57102-F02-18ULF](#) [57102-S06-03LF](#) [57202-S52-04LF](#) [PCN6-15S-2.5E](#) [0039019024](#) [58102-G61-06LF](#) [582553-1](#) [0009485154](#) [0009508121](#) [0022285053](#) [0050291907](#) [018731A](#) [LY20-4P-DT1-P1E-BR](#) [02.125.8002.8](#) [60101931](#) [60598-1 \(Cut Strip\)](#) [M1625-3R/100](#) [61062-3](#) [61082-181009](#) [CSU011177004](#) [636-1427](#) [638009-1](#) [641938-9](#) [641991-4](#) [644168-1](#) [644827-2](#) [647662-1](#) [65039-019ELF](#) [65692-001LF](#) [65781-018](#) [65781-047](#)