

X9556 H F-02 L-N0 XX  
 01 02 03 04 05 06 07

01 Series No.

02 Category: H-HSG

03 Welding Board Angle: F-Female HGS

04 Row No.-Pin No.: 2 54

05 special No.

06 Material: N0-PA66 94V-0

07 Color: Blank-Natural Color

L-Empty pick up the left button

- Specifications :
- Voltage rating: 250V AC / DC
  - Current rating: 3A AC / DC
  - Withstanding voltage: 1500V AC/minute
  - Temperature range: -25°C~+85°C
  - Insulation resistance: ≥1000MΩ
  - Contact resistance: ≤20mΩ
  - After environmental testing : ≤30mΩ

Poles	A	B	C
2	2.54	5.08	--
3	5.08	7.62	2.54
4	7.62	10.16	5.08
5	10.16	12.70	7.62
6	12.70	15.24	10.16
7	15.24	17.78	12.70
8	17.78	20.32	15.24
9	20.32	22.86	17.78
10	22.86	25.40	20.32
11	25.40	27.94	22.86
12	27.94	30.48	25.40
13	30.48	33.02	27.94
14	33.02	35.56	30.48
15	35.56	38.10	33.02
16	38.10	40.64	35.56
17	40.64	43.18	38.10
18	43.18	45.72	40.64
19	45.72	48.26	43.18
20	48.26	50.80	45.72

PART NO	Material	Suitable XKB Terminal
X9556HF-02L-N0	PA66 UL 94V-0	Suitable XKB Terminal
X9556TM		Suitable XKB Terminal
X9556HM-L		Suitable XKB Terminal

DSEND		DATE	SCALE: N/A	MODEL TYPE: X9556HF-02L-N0
APPD	DATE	VIEW:	PART NO.: 2.54 mm Crimp Style Connectors	DWG NO.:
CHKD	DATE	UNIT: mm	SIZE: A4	REVISION
UNSPECIFIED TOLERANCES		APPROVED	REVISED	DATE
±0.5	L > 63			
±0.4	16 < L ≤ 63			
±0.3	4 < L ≤ 16			
±0.2	L ≤ 4			
±5°	ANGULAR			

For and on behalf of  
 XKB INDUSTRIAL PRECISION CO., LIMITED  
 香港星坤工業精密有限公司

REVISIONS  
 Authorized Signature(s)

XKB INDUSTRIAL PRECISION CO., LIMITED

WEIGHT	SHEET	REVISION
1.0g	1/1	A0

For and on behalf of  
**KXB INDUSTRIAL PRECISION CO., LIMITED**  
 香港星坤工業精密有限公司

MARK	DESCRIPTION	DATE	REVISED	APPROVED	UNSPECIFIED TOLERANCES
△ X					± 0.5
△ X					L > 63 16 < L ≤ 63 ± 0.4
△ X					L ≤ 4 4 < L ≤ 16 ± 0.3
					L ≤ 4 ANGULAR ± 0.2

REVISIONS	DATE	REVISED	APPROVED	UNSPECIFIED TOLERANCES
				± 0.5

WEIGHT	1.0g
SHEET	1/1
REVISION	A0

MODEL TYPE:	X9556HF-XX-PT
SCALE:	N/A
DATE	

DSND	DATE	SCALE: N/A	VIEW:
DWN	DATE	VIEW:	PART NO.:
CHKD	DATE	UNIT: mm	DWG NO.:
APPD	DATE	SIZE: A4	

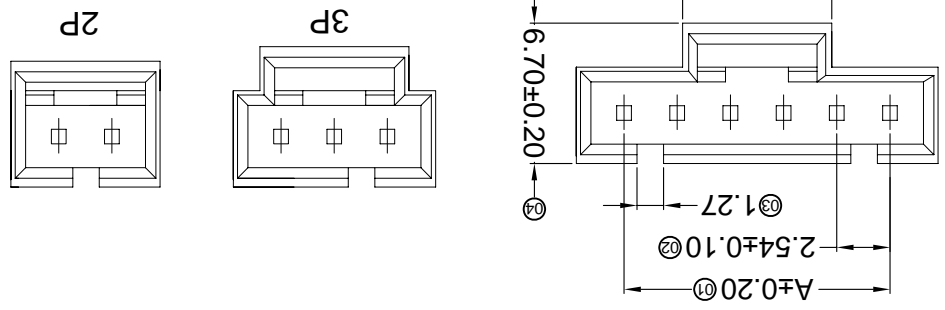
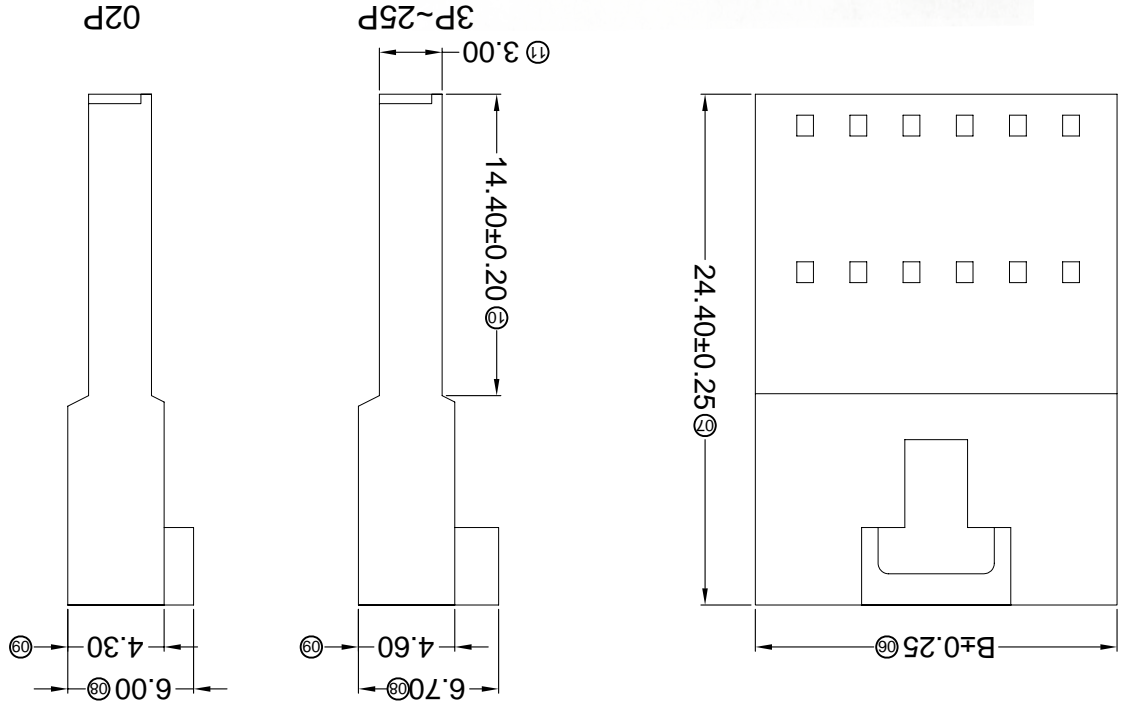
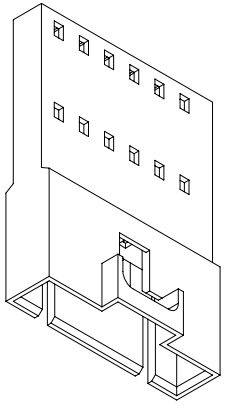
PART NO	Material	Suitable XKB Terminal	
		Suitable XKB Terminal	Suitable XKB Terminal
X9556HF-XX-PT	PBT UL 94V-0	X9556TM	X9556H

Poles	Dimensions (mm)		Poles	Dimensions (mm)	
	A	B		A	B
02	2.54	7.12	10	22.86	27.44
03	5.08	9.66	11	25.40	29.98
04	7.62	12.20	12	27.94	32.52
05	10.16	14.74	13	30.48	35.06
06	12.70	17.28	14	33.02	37.60
07	15.24	19.82	15	35.56	40.14
08	17.78	22.36	16	38.10	42.68
09	20.32	24.90	17	40.64	45.22

Dimensions (mm)	A	B
Poles	A	B

- ① Series No.
  - ② Category: H-HSG
  - ③ Welding Board Angle: F-Female HGS
  - ④ Row No.-Pin No.: XX-Single row
  - ⑤ Special No.
  - ⑥ Material: PT-PBT 94V-0
  - ⑦ Color: Blank-Natural Color
- X9556 H F-XX X-PT XX

- Specifications :
- Voltage rating: 250V AC / DC
  - Current rating: 3A AC / DC
  - Withstanding voltage: 1500V AC/minute
  - Temperature range: -25°C~+85°C
  - Insulation resistance: ≥1000MΩ
  - Contact resistance: ≤20mΩ
  - After environmental testing: ≤30mΩ

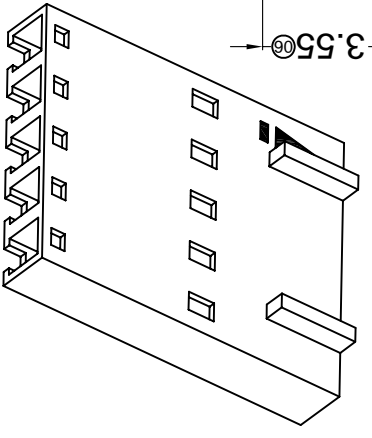
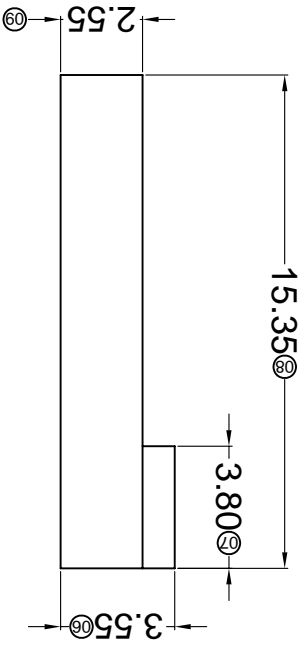
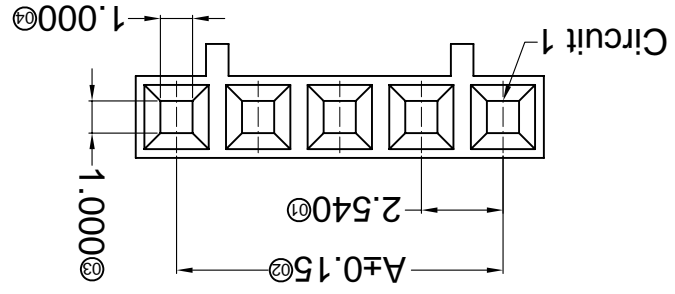
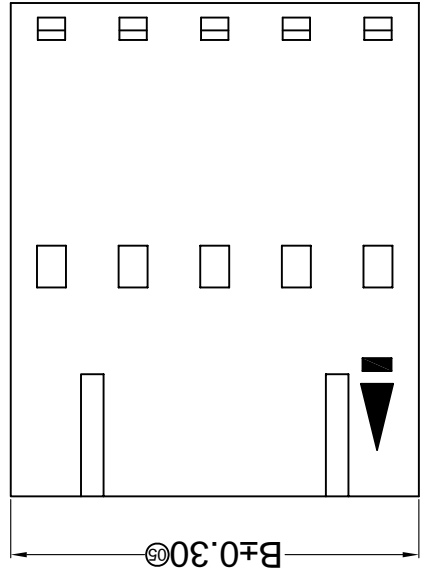
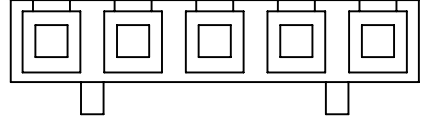


For and on behalf of  
**KKB INDUSTRIAL PRECISION CO., LIMITED**  
 香港星坤工業精密有限公司  
 Authorized Signature(s)

MARK	DESCRIPTION	DATE	REVISD	APPROVED	UNSPECIFIED TOLERANCES
△ X					L > 63 ± 0.5
△ X					16 < L ≤ 63 ± 0.4
△ X					4 < L ≤ 16 ± 0.3
					L ≤ 4 ± 0.2
					ANGULAR ± 5°

REVISION	SHEET	WEIGHT	SIZE	DATE	DATE	DATE	DATE
A0	1/1	1.0g	A4				

DSND	SCALE: N/A	MODEL TYPE: X9556H-XXA-N0
DWN	VIEW:	PART NO.: 2.54mm Crimp Style Connectors
CHKD	UNIT: mm	DWG NO.:
APPD	DATE	DATE



Poles	Dimensions (mm)	
	A	B
02	2.54	5.08
03	5.08	7.62
04	7.62	10.16
05	10.16	12.70
06	12.70	15.24
07	15.24	17.78
08	17.78	20.32

Poles	Dimensions (mm)	
	A	B
02	20.32	22.86
03	22.86	25.40
04	25.40	27.94
05	27.94	30.48
06	30.48	33.02
07	33.02	35.56
08	35.56	38.10

PART NO	Material	Suitable XKB Terminal	Suitable XKB Terminal
X9556H-XXA-N0	PA66 UL 94V-0	X9556T	X9566W

- ① Series No.
- ② Category: H-HSG
- ③ Appearance type: Blank-Ordinary
- ④ Row No.-Pin No.: XX-02P-15P
- ⑤ Plug the Pin & special No.:
- ⑥ A-There are convex point
- ⑦ Material: NO-PA66 UL 94V-0
- ⑧ Color: Blank-Natural Color

X9556 H X-XX A-N0 XX  
 ① ② ③ ④ ⑤ ⑥ ⑦

- Specifications :
- Voltage rating: 250V AC / DC
  - Current rating: 3A AC / DC
  - Withstanding voltage: 1500V AC/minute
  - Temperature range: -25°C~+85°C
  - Insulation resistance: ≥1000MΩ
  - Contact resistance: ≤20mΩ
  - After environmental testing: ≤30mΩ

For and on behalf of  
**KKB INDUSTRIAL PRECISION CO., LIMITED**  
 香港星洲工業精密有限公司

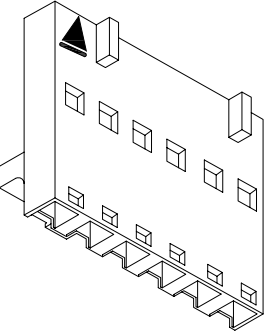
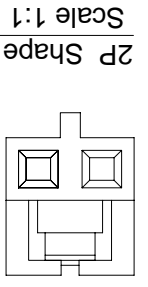
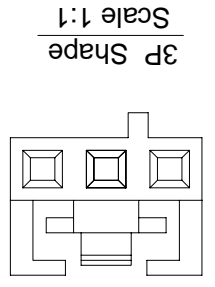
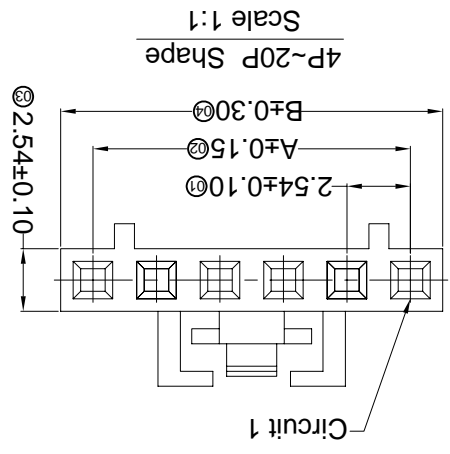
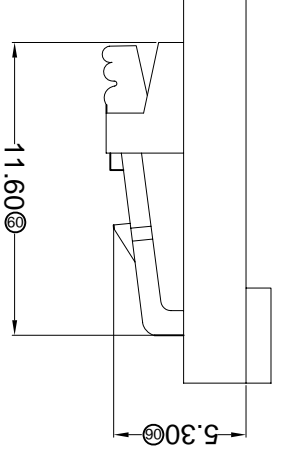
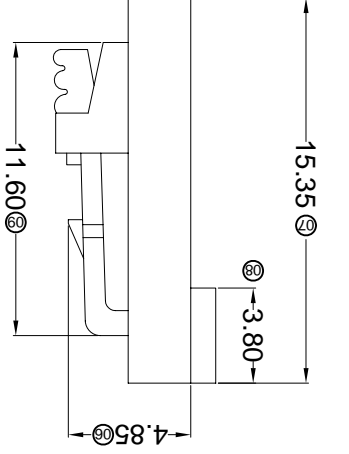
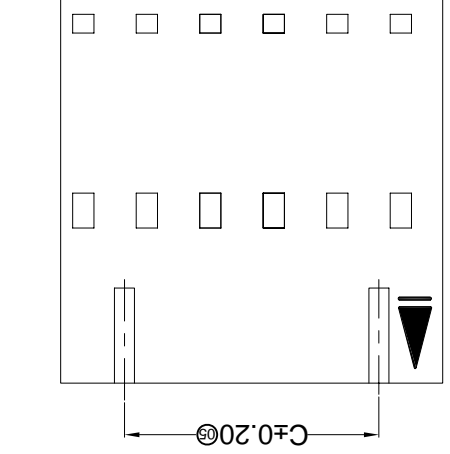
REVISIONS  
 Authorized Signature(s)

MARK	DESCRIPTION	DATE	REVISED	APPROVED	UNSPECIFIED TOLERANCES
△ X					L > 63 ± 0.5
△ X					16 < L ≤ 63 ± 0.4
△ X					4 < L ≤ 16 ± 0.3
					L ≤ 4 ± 0.2
					ANGULAR ± 5°

DSND	DATE	SCALE: N/A	MODEL TYPE: X9556H-XXB-N0XX
DWN	DATE <td>VIEW: </td> <td>PART NO.: 2.54 mm Crimp Style Connectors</td>	VIEW:	PART NO.: 2.54 mm Crimp Style Connectors
CHKD	DATE <td>UNIT: mm</td> <td>DWG NO.:</td>	UNIT: mm	DWG NO.:
APPD	DATE <td>SIZE: A4</td> <td>WEIGHT 1.0g</td>	SIZE: A4	WEIGHT 1.0g
			SHEET 1/1
			REVISION A0

PART NO	Material	Suitable XkB Terminal	Suitable XkB Terminal
X9556H-XXB-N0HF	Nylon 66 UL 94V-0 Halogen Free	X9556T	X9556W
X9556H-XXB-N0	Nylon 66 UL 94V-0		

Poles	Dimensions(mm)		
	A	B	C
02	2.54	5.08	--
03	5.08	7.62	--
04	7.62	10.16	5.08
05	10.16	12.70	7.62
06	12.70	15.24	10.16
07	15.24	17.78	12.70
08	17.78	20.32	15.24
09	20.32	22.86	17.78
10	22.86	25.40	20.32
11	25.40	27.94	22.86



- Specifications :
- Voltage rating: 250V AC / DC
  - Current rating: 3A AC / DC
  - Withstanding voltage: 1500V AC/minute
  - Temperature range: -25°C~+85°C
  - Insulation resistance: ≥1000MΩ
  - Contact resistance: ≤20mΩ
  - After environmental testing: ≤30mΩ
- ① Series No. X9556 H X-XX B-N0 XX
- ② ③ ④ ⑤ ⑥ ⑦
- ⑧ Category: H-HSG
- ⑨ Welding Board Angle: Blank-ordinary
- ⑩ Row No.-Pin No.:XX-Single row
- ⑪ Special No.
- ⑫ B-There are convex point and the buckle
- ⑬ Material: N0-PA66 94V-0
- ⑭ Color: Blank-Natural Color
- ⑮ HF-Halogen free

For and on behalf of  
**KXB INDUSTRIAL PRECISION CO., LIMITED**  
 香港星坤工業精密有限公司

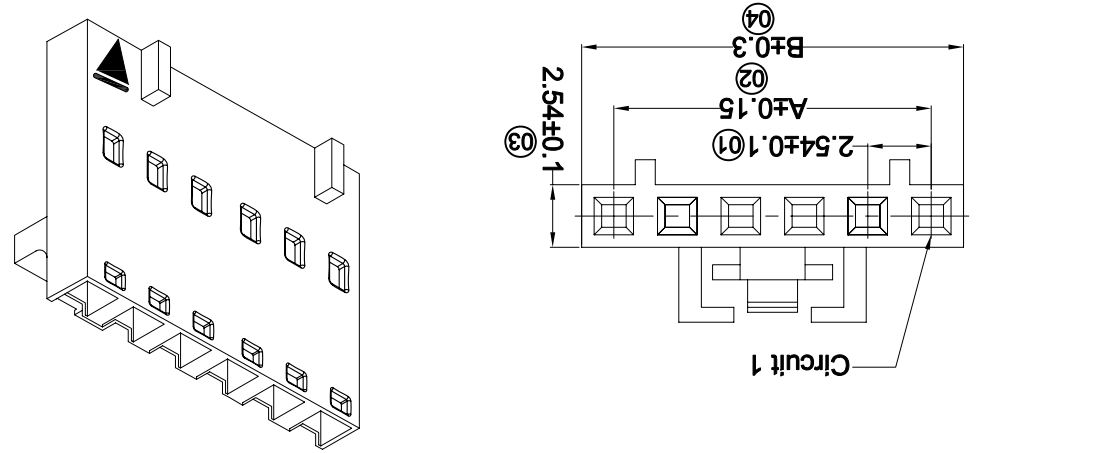
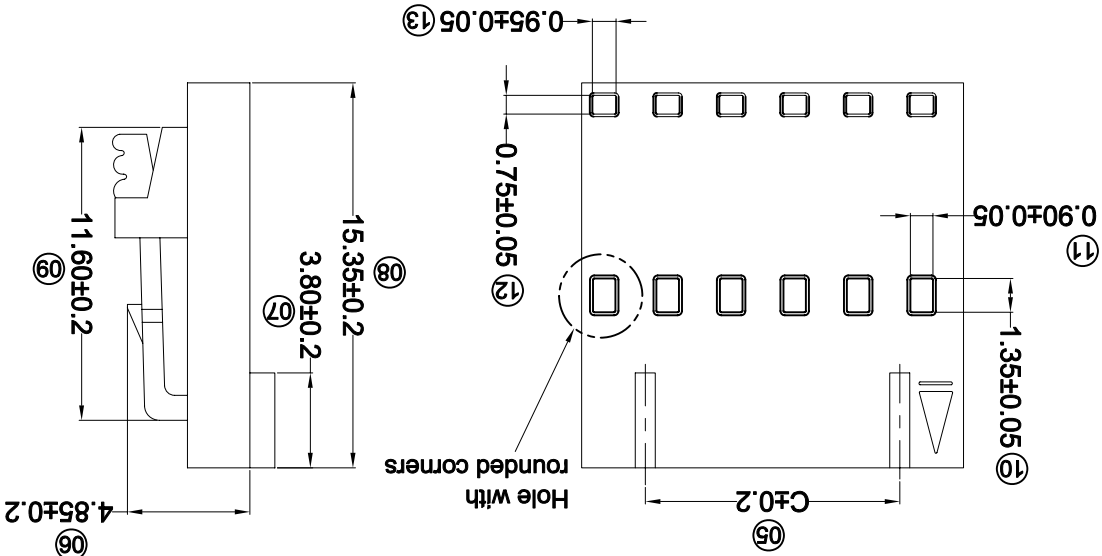
MARK	DESCRIPTION	DATE	REVISD	APPROVED	UNSPECIFIED TOLERANCES
△ X					L > 63 ± 0.5
△ X					16 < L ≤ 63 ± 0.4
△ X					4 < L ≤ 16 ± 0.3
					L ≤ 4 ± 0.2
					ANGULAR ± 5°

REVISIONS	APPROVED	DATE	REVISD	APPROVED	UNSPECIFIED TOLERANCES
					L > 63 ± 0.5
					16 < L ≤ 63 ± 0.4
					4 < L ≤ 16 ± 0.3
					L ≤ 4 ± 0.2
					ANGULAR ± 5°

MARK	DESCRIPTION	DATE	REVISD	APPROVED	UNSPECIFIED TOLERANCES
△ X					L > 63 ± 0.5
△ X					16 < L ≤ 63 ± 0.4
△ X					4 < L ≤ 16 ± 0.3
					L ≤ 4 ± 0.2
					ANGULAR ± 5°

MARK	DESCRIPTION	DATE	REVISD	APPROVED	UNSPECIFIED TOLERANCES
△ X					L > 63 ± 0.5
△ X					16 < L ≤ 63 ± 0.4
△ X					4 < L ≤ 16 ± 0.3
					L ≤ 4 ± 0.2
					ANGULAR ± 5°

MARK	DESCRIPTION	DATE	REVISD	APPROVED	UNSPECIFIED TOLERANCES
△ X					L > 63 ± 0.5
△ X					16 < L ≤ 63 ± 0.4
△ X					4 < L ≤ 16 ± 0.3
					L ≤ 4 ± 0.2
					ANGULAR ± 5°



**X9556 H X-XX C-N0 XX**

- ① Series No.
- ② Category:
- ③ H-HSG
- ④ Welding Board Angle:
- ⑤ Blank-ordinary
- ⑥ Row No.-Pin No.:
- ⑦ XX-Single row
- ⑧ special No.
- ⑨ C-Hole with rounded corners
- ⑩ Material:
- ⑪ Color:
- ⑫ Blank-Natural Color
- ⑬ HF-Halogen free

- ⑭ Nylon 66 UL 94V-0
- ⑮ Halogen Free
- ⑯ Nylon 66 UL 94V-0

PART NO	Material	Suitable XKB Terminal
X9556H-XXC-N0	Nylon 66 UL 94V-0	Suitable XKB Terminal
X9556H-XXC-N0HF	Halogen Free	Suitable XKB Terminal
X9556H-XXC-N0	Nylon 66 UL 94V-0	Suitable XKB Terminal

Poles	A	B	C
20	48.26	50.80	45.72
19	45.72	48.26	43.18
18	43.18	45.72	40.64
17	40.64	43.18	38.10
16	38.10	40.64	35.56
15	35.56	38.10	33.02
14	33.02	35.56	30.48
13	30.48	33.02	27.94
12	27.94	30.48	25.40
11	25.40	27.94	22.86
10	22.86	25.40	20.32
9	20.32	22.86	17.78
8	17.78	20.32	15.24
7	15.24	17.78	12.70
6	12.70	15.24	10.16
5	10.16	12.70	7.62
4	7.62	10.16	5.08
3	5.08	7.62	2.54
2	2.54	5.08	-
1	-	2.54	C

- Voltage rating: 250V AC / DC
- Current rating: 3A AC / DC
- Withstanding voltage: 1500V AC/minute
- Temperature range: -25°C~+85°C
- Insulation resistance: ≥1000MΩ
- Contact resistance: ≤20mΩ
- After environmental testing: ≤30mΩ

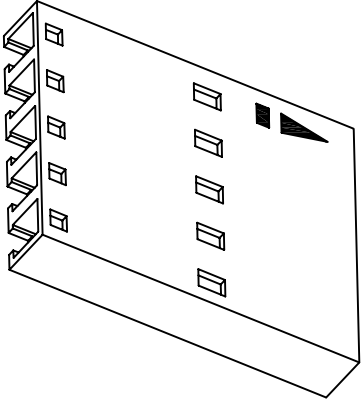
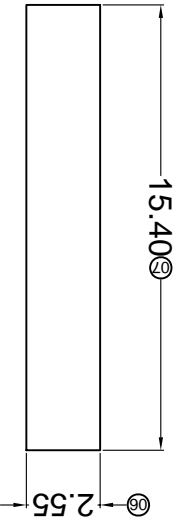
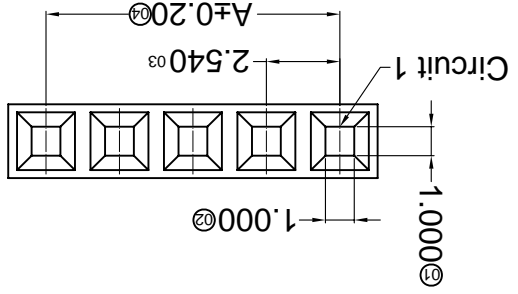
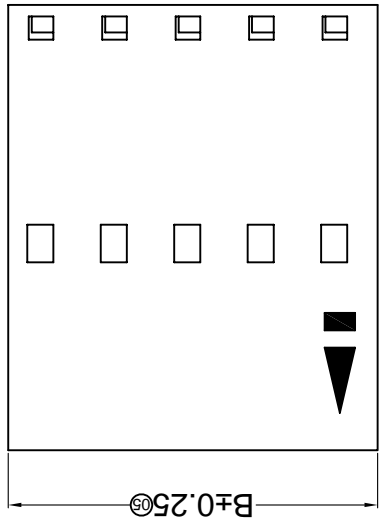
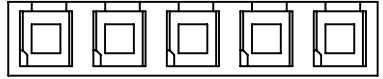
**Specifications :**

For and on behalf of  
 XKB INDUSTRIAL PRECISION CO., LIMITED  
 香港星坤工業精密有限公司

REMISSIONS  
 Authorized Signature(s)

MARK	DESCRIPTION	DATE	REVISD	APPROVED	UNSPECIFIED TOLERANCES
△ X					L > 63 ± 0.5
△ X					16 < L ≤ 63 ± 0.4
△ X					4 < L ≤ 16 ± 0.3
					L ≤ 4 ± 0.2
					ANGULAR ± 5°

DSND	DATE	SCALE: N/A	MODEL TYPE: X9556H-XX-N0
DWN	DATE <td>VIEW: </td> <td>PART NO.: </td>	VIEW:	PART NO.:
CHKD	DATE <td>UNIT: mm</td> <td>DWG NO.:</td>	UNIT: mm	DWG NO.:
APPD	DATE <td>SIZE: A4</td> <td>WEIGHT: 1.0g</td>	SIZE: A4	WEIGHT: 1.0g
			SHEET: 1/1
			REVISION: A0



PART NO	Material	Suitable XKB Terminal	Suitable XKB Terminal
X9556H-XX-N0	PA66 UL 94V-0	X9556T	X9556W

Poles	Dimensions (mm)	
	A	B
02	2.54	5.15
03	5.08	7.69
04	7.62	10.23
05	10.16	12.77
06	12.70	15.31
07	15.24	17.85
08	17.78	20.39
		15
		35.56
		38.17

- ① Series No.
- ② Category: H-HSG
- ③ Appearance type: Blank-Ordinary
- ④ Row No.-Pin No.: XX-02P~15P
- ⑤ Plug the Pin & special No.:
- ⑥ Material: NO-PA66 UL 94V-0
- ⑦ Color: Blank-Natural Color

X9556 H X-XX X-N0 XX  
 ① ② ③ ④ ⑤ ⑥ ⑦

- Specifications :
- Voltage rating: 250V AC / DC
- Current rating: 3A AC / DC
- Withstanding voltage: 1500V AC/minute
- Temperature range: -25°C~+85°C
- Insulation resistance: ≥1000MΩ
- Contact resistance: ≤20mΩ
- After environmental testing: ≤30mΩ

For and on behalf of  
**XKB INDUSTRIAL PRECISION CO., LIMITED**  
 香港星坤工業精密有限公司

REVISIONS  
 Authorized Signature(s)

MARK	DESCRIPTION	DATE	REVISED	APPROVED	UNSPECIFIED TOLERANCES
△ X					± 5°
△ X					ANGULAR
△ X					± 0.2
					L ≤ 4
					± 0.3
					4 < L ≤ 16
					± 0.4
					16 < L ≤ 63
					± 0.5
					L > 63

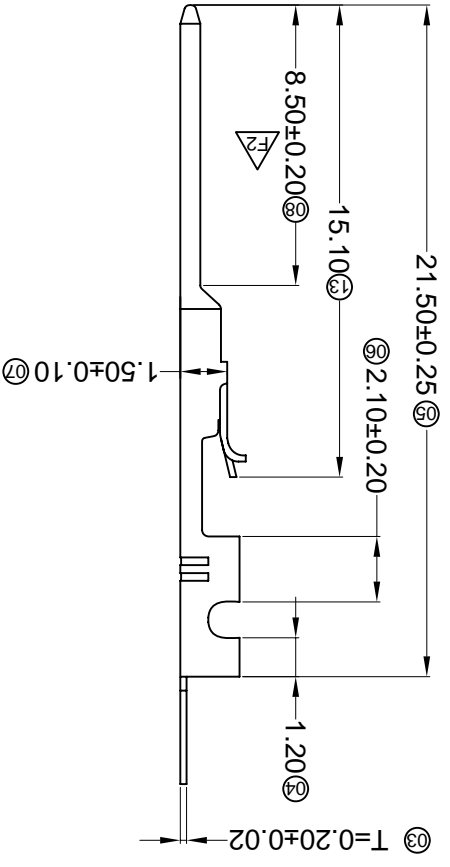
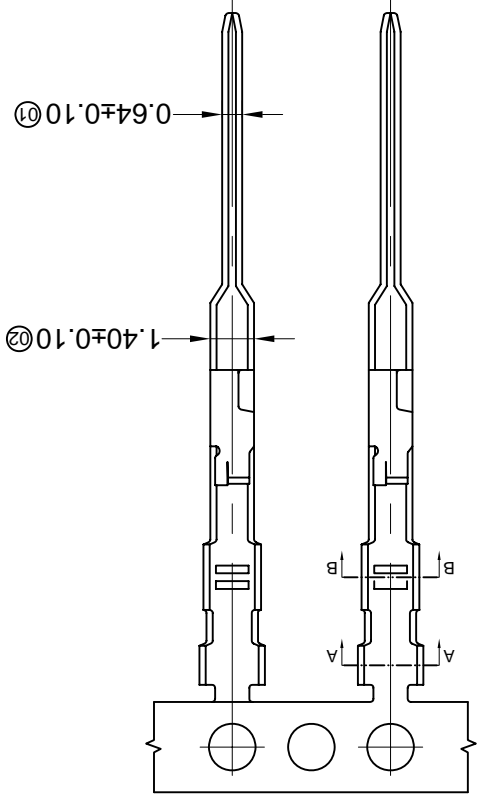
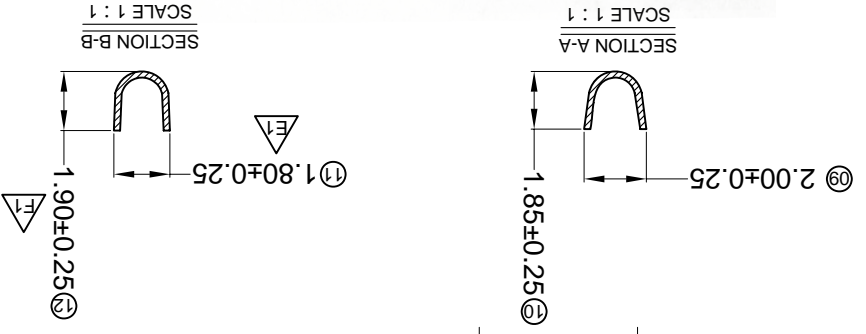
REVISION	SHEET	WEIGHT	WIRE RANGE	INSULATION O.D.	MATERIAL	WIRE RANGE	INSULATION O.D.	FINISH	SUITABLE XKB
A0	1/1	1.0g							

DSND	DATE	SCALE: N/A	MODEL TYPE: X9556TM-PXXX

DWN	DATE	VIEW:	PART NO.: X9556TM-PXXX

CHKD	DATE	UNIT: mm	DWG NO.:
			2.54 mm Crimp Style Connectors

APPD	DATE	SIZE: A4



- X9556 T M-P XX X-X**
- ① Series Number
  - ② Category: T-terminal
  - ③ Shape: M-male
  - ④ Material: P-Phosphor bronze
  - ⑤ Plating style: G01-Gold Plated Contact
  - ⑥ Plating method: SN-Bright tin plating
  - ⑦ Blank-Stamping before plating
  - ⑧ Mold No./Mark/Special No.

- Specifications :**
- Voltage rating: 250V AC / DC
  - Current rating: 3A AC / DC
  - Withstanding voltage: 1500V AC/minute
  - Temperature range: -25°C~+85°C
  - Insulation resistance: ≥1000MΩ
  - Contact resistance: ≤20mΩ
  - After environmental testing: ≤30mΩ

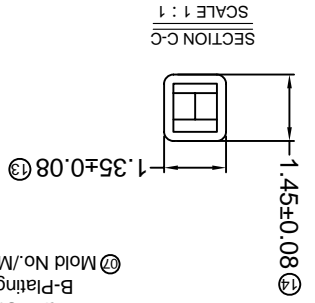
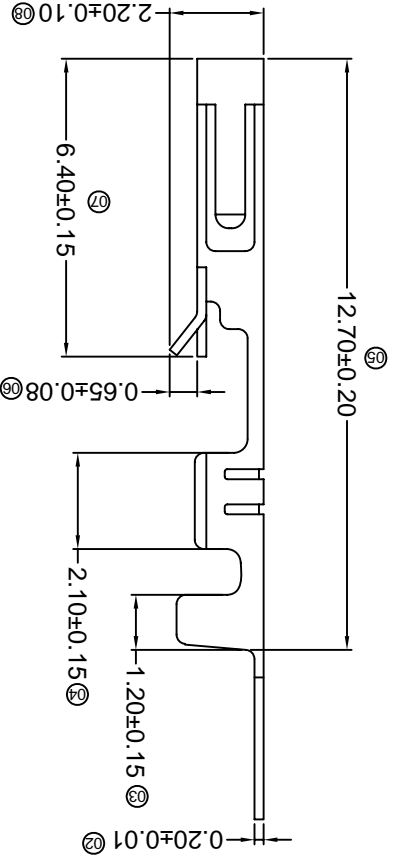
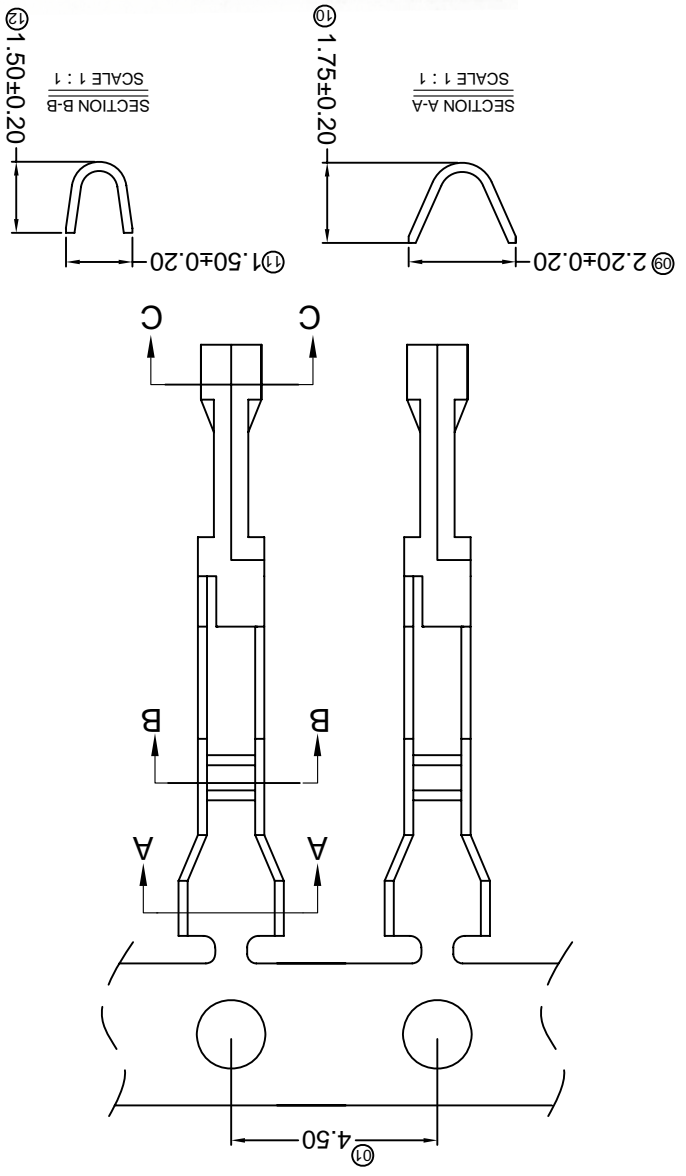
PART NO	MATERIAL	WIRE RANGE	INSULATION O.D.	FINISH	SUITABLE XKB
X9556TM-PG01	Phosphor Bronze	AWG#22-26	1.63mm(Max)	Stamping Before Plating:30u" Ni;Contact Area Gold Flash	X9556HF
X9556TM-PSN				Stamping Before Plating:30u" Ni;70u"Sn	

For and on behalf of  
**XKB INDUSTRIAL PRECISION CO., LIMITED**  
 香港星坤工業精密有限公司

REVISIONS  
 Authorized Signature(s)

MARK	DESCRIPTION	DATE	REVISED	APPROVED	UNSPECIFIED TOLERANCES
△ X					± 5° ANGULAR
△ X					± 0.2 L ≤ 4
△ X					± 0.3 4 < L ≤ 16
					± 0.4 16 < L ≤ 63
					L > 63 ± 0.5

DSND	DATE	SCALE: N/A	MODEL TYPE: X9556T-XX
DWN	DATE	VIEW:	PART NO.: 2.54 mm Crimp Style Connectors
CHKD	DATE	UNIT: mm	DWG NO.:
APPD	DATE	SIZE: A4	WEIGHT: 1.0g
			SHEET: 1/1
			REVISION: A0



- Series Number: X9556 T XX - X XX X - X
- ① Mold No./Mark/Special No.
  - ② Category: T-terminal
  - ③ Shape: Blank-ordinary
  - ④ Material: P-Phosphor bronze ; B-brass
  - ⑤ Plating style: G\*\*-Gold-Plated Contact
  - ⑥ Plating method: SN-Bright tin plating 70-120u"
  - ⑦ Plating method: 0-No plating material
  - ⑧ Plating method: Blank-Stamping before plating
  - ⑨ Mold No./Mark/Special No.

- Specifications :**
- Voltage rating: 250V AC / DC
  - Current rating: 3A AC / DC
  - Withstanding voltage: 1500V AC/minute
  - Temperature range: -25°C~+85°C
  - Insulation resistance: ≥1000MΩ
  - Contact resistance: ≤20mΩ
  - After environmental testing : ≤30mΩ



**For and on behalf of**  
**XKB INDUSTRIAL PRECISION CO., LIMITED**  
 香港星洲工業精密有限公司

MARK	DESCRIPTION	DATE	REVISD	APPROVED	UNSPECIFIED TOLERANCES
△ X					L > 63 ± 0.5
△ X					16 < L ≤ 63 ± 0.4
△ X					4 < L ≤ 16 ± 0.3
					L ≤ 4 ± 0.2
					ANGULAR ± 5°

REVISIONS	XKB INDUSTRIAL PRECISION CO., LIMITED	
REVISION	WEIGHT	1.0g
SHEET		1/1
A0		

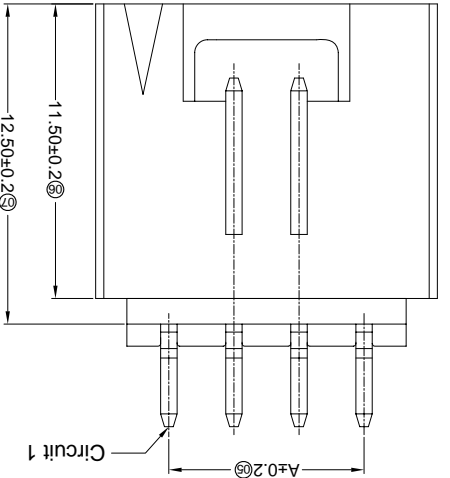
DATE	SCALE: N/A	MODEL TYPE:
		X9556WRS-XXX-XXXX

DATE	VIEW:	UNIT: mm	SIZE: A4

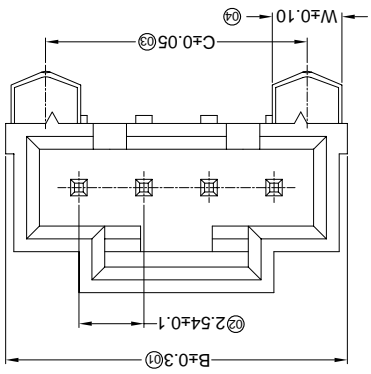
DATE	DATE	DATE

DATE	DATE	DATE

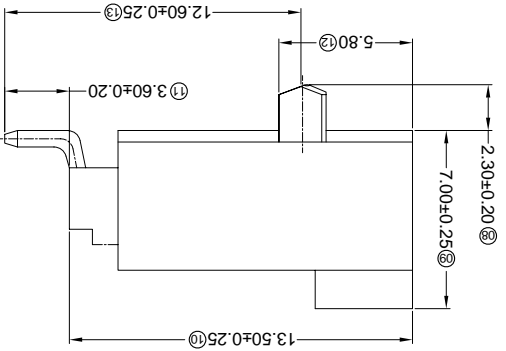
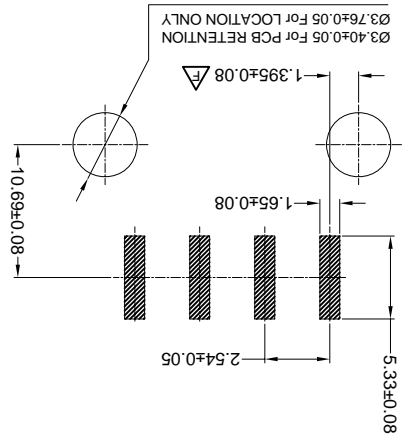
DATE	DATE	DATE



9556WRS-XXA-LPV01	W=2.7
9556WRS-XXX-LPV01	W=3.12



**Recomand PCB Layout**



PART NO	Material	Material(Pin)	Finish(Pin)	Suitable XKB Terminal
X9556WRS-XXX-LPV01	LCP UL 94V-0	Brass	Gold-Flash	X9556H
X9556WRS-XXA-LPV01				
X9556WRS-XXX-LPSW				
X9556WRS-XXX-4TSW	Nylon 4T 94V-0		Mate tin	

Poles	Dimensions (mm)		
	A	B	C
02	2.54	8.89	5.33
03	5.08	11.43	7.87
04	7.62	13.97	10.41
05	10.16	16.51	12.95
06	12.70	19.05	15.49
07	15.24	21.59	18.03

Poles	Dimensions (mm)		
	A	B	C
08	17.78	24.13	20.57
09	20.32	26.67	23.11
10	22.86	29.21	25.65
11	25.40	31.75	28.19
12	27.94	34.29	30.73

- Specifications :**
- Voltage rating: 250V AC / DC
  - Current rating: 3A AC / DC
  - Withstanding voltage: 1500V AC/minute
  - Temperature range: -40°C~+105°C
  - Insulation resistance: ≥1000M<sup>Ω</sup>/E
  - Contact resistance: ≤20m<sup>Ω</sup>/E
  - After environmental testing: ≤30m<sup>Ω</sup>/E
- ① Series No.  
 ② Category: W-water  
 ③ Welding Board Angle: R-90°  
 ④ Welding Way: S-SMT  
 ⑤ Row No.-Pin No.: XX-Single row  
 ⑥ Special NO. Blank: W=2.7 A: W=3.12  
 ⑦ Material: LP-LCP 94V-0 4T-Nylon 4T 94V-0  
 ⑧ Plating Category:  
 V\*\*:All Gold-Plated \*01-Gold Flash  
 SW-Matte Tin plating  
 ⑨ Color:  
 Blank-Natural Color Black

X9556 W R S- XX-XX LP XX XX

A B C D E F 1 2 3 4 5 6 7 8



For and on behalf of  
**KXB INDUSTRIAL PRECISION CO., LIMITED**  
 香港星坤工業精密有限公司

REVISIONS  
 Authorized Signatures(s)

MARK	DESCRIPTION	DATE	REVISED	APPROVED	UNSPECIFIED TOLERANCES
△ X					L > 63 ± 0.5
△ X					16 < L ≤ 63 ± 0.4
△ X					4 < L ≤ 16 ± 0.3
△ X					L ≤ 4 ± 0.2
					ANGULAR ± 5°

REVISION	SHEET	WEIGHT	DATE	DATE	DATE	DATE	DATE
A0	1/1	1.0g					

**KXB INDUSTRIAL PRECISION CO., LIMITED**

APPD	CHKD	DWN	DSND

SIZE: A4	UNIT: mm	VIEW:	SCALE: N/A

DWG NO.:  
 2.54 mm Crimp Style Connectors

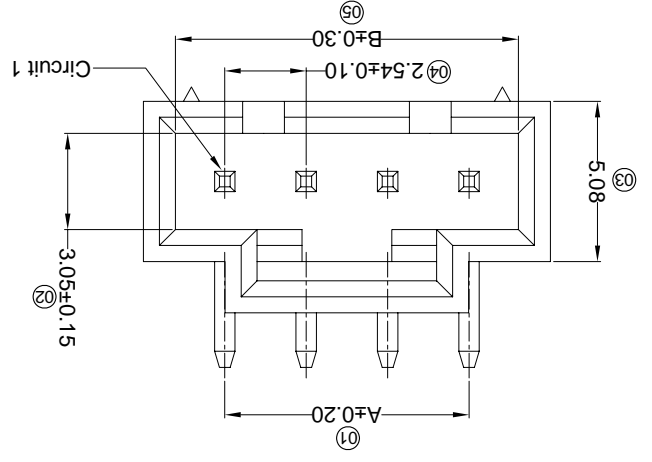
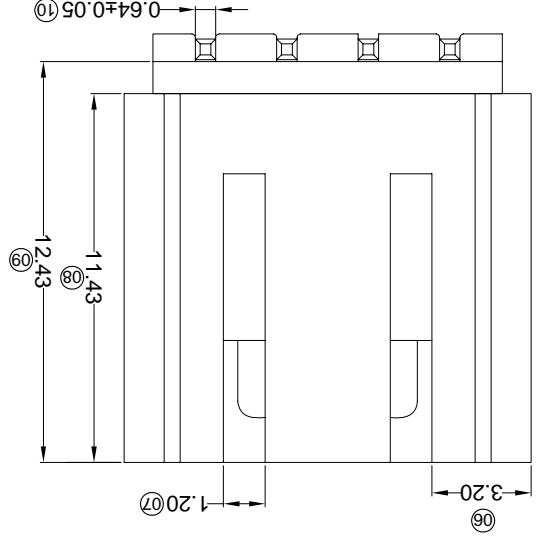
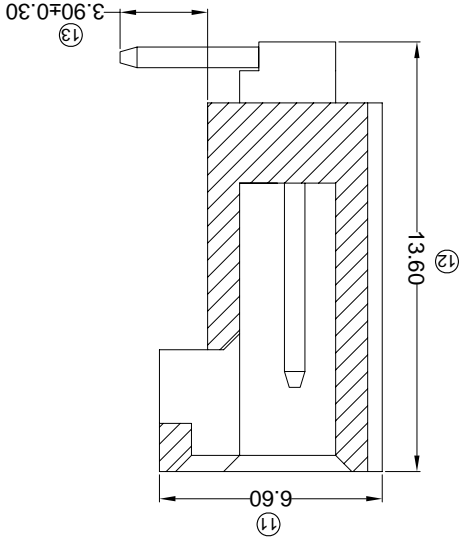
PART NO.:  
 X9556WR-XXRB-NOV01

MODEL TYPE:  
 X9556WR-XXRB-NOV01

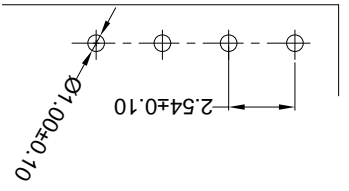
PART NO	Material	Material(Pin)	Finish(Pin)	Suitable XKB Terminal
X9556WR-XXRB-NOV01	Nylon 66 UL 94V-0	Brass	Gold-Flash	X9556H

Poles	A	B
2	2.54	5.59
3	5.08	8.13
4	7.62	10.67
5	10.16	13.21
6	12.70	15.75
7	15.24	18.29
8	17.78	20.83
9	20.32	23.37
10	22.86	25.91
11	25.40	28.45
12	27.94	30.99
13	30.48	33.53
14	33.02	36.07
15	35.56	38.61

- ① Series No. X9556 W R XX-XXRB-NOV01 XX
- ② Category: W-water
- ③ Welding Board Angle: R-90°
- ④ Welding Way: Blank-DIP
- ⑤ Row No.-Pin No. XX-Single row
- ⑥ Special NO. RB-Reverse bending
- ⑦ Material: N0-PA66 94V-0
- ⑧ Plating Category: V\*\*All Gold-Plated
- \*01-Gold Flash: \*02-2u"; \*03-3u"; \*05-5u"  
 \*10-10u"; \*15-15u"; \*30-30u"; \*50-50u"  
 SN-Bright tin plating 70u"  
 SN-Bright tin plating 120u" Min. ;  
 SW-Fog Tin plating
- ⑨ Color: Blank-natural color



**Recommend PCB Layout**



- Specifications :
- Voltage rating: 250V AC / DC
  - Current rating: 3A AC / DC
  - Withstanding voltage: 1500V AC/minute
  - Temperature range: -25°C~+85°C
  - Insulation resistance: ≥1000MΩ
  - Contact resistance: ≤20mΩ
  - After environmental testing: ≤30mΩ

REVISIONS		UNSPECIFIED TOLERANCES	
MARK	DESCRIPTION	DATE	APPROVED
△ X			
△ X			
△ X			

**香港星坤工業精密有限公司**  
KKB INDUSTRIAL PRECISION CO., LIMITED

*For and on behalf of*

REVISIONS		UNSPECIFIED TOLERANCES	
MARK	DESCRIPTION	DATE	APPROVED
△ X			
△ X			
△ X			

**香港星坤工業精密有限公司**  
KKB INDUSTRIAL PRECISION CO., LIMITED

*For and on behalf of*

DATE	SCALE: N/A	MODEL TYPE: X9556WR-XXS-9TVXX
DNSD		
DWN		
CHKD		
APPD		

PART NO	Material	Material(Pin)	Finish(Pin)	Suitable XKB Terminal
X9556WR-XXS-9TV01	Nylon 9T UL 94V-0	Brass	Gold-Flash	X9556H
X9556WR-XXSHF-9TV15	Nylon 9T UL 94V-0 Halogen Free	Brass	Gold 15u"	X9556H

Dimensions (mm)	Poles
A	B
2.54	8.53
5.08	11.07
7.62	13.61
10.16	16.51
12.70	18.69
15.24	21.23
17.78	23.77
20.32	26.31
22.86	28.85
25.40	31.39
27.94	33.93

**Specifications :**

- Voltage rating: 250V AC / DC
- Current rating: 3A AC / DC
- Withstanding voltage: 1500V AC/minute
- Temperature range: -25°C~+85°C
- Insulation resistance: ≥1000MΩ
- Contact resistance: ≤20mΩ
- After environmental testing: ≤30mΩ

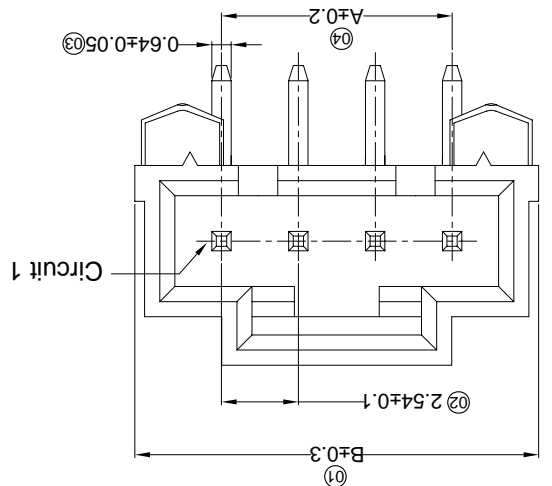
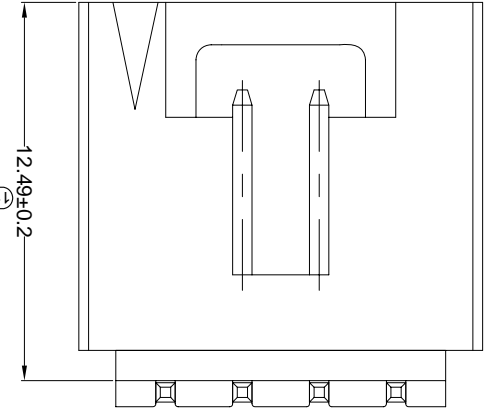
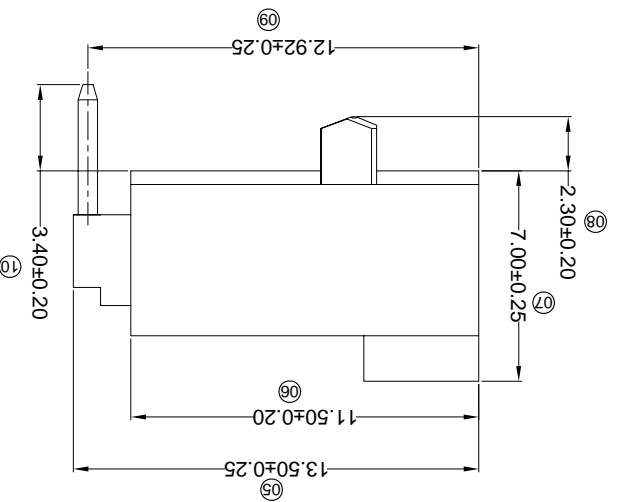
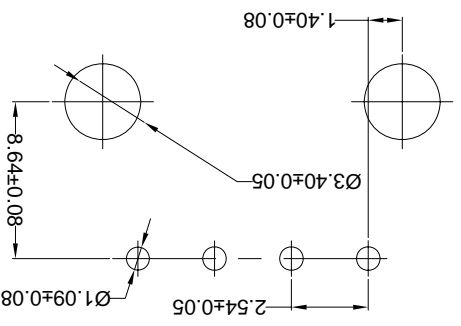
**Series No.** ①① X9556 W R XX- XX S HF-9T VXX XX

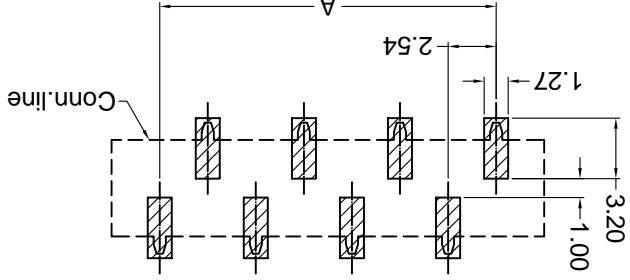
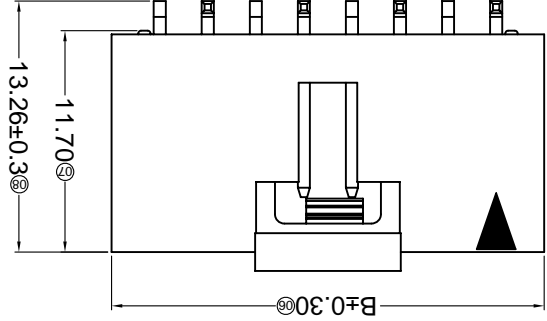
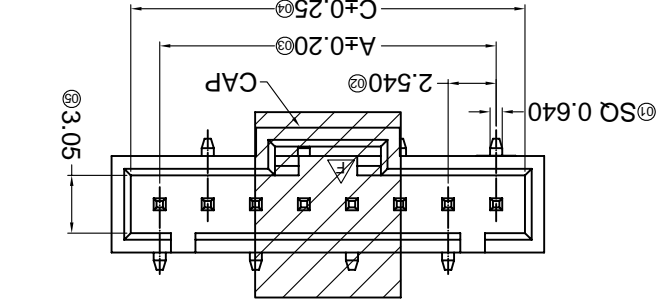
①① ①② ①③ ①④ ①⑤ ①⑥ ①⑦ ①⑧ ①⑨

①② Category: W-water  
①③ Welding Board Angle: R-90°  
①④ Welding Way: Blank-DIP  
①⑤ Row No.-Pin No. XX-Single row  
①⑥ Special NO. S-With positioning column : HF-Halogen Free  
①⑦ Material: 9T-Nylon 9T 94V-0  
①⑧ Planting Category: V\*\*All Gold-Plated  
①⑨ \*01-Gold Flash : \*02-2u" ; \*03-3u" ; \*05-5u" ; \*10-10u" ; \*15-15u" ; \*30-30u" ; \*50-50u"

②① SN-Bright tin plating 70u"  
②② SN1-Bright tin plating 120u"Min. ;  
②③ SW-Fog Tin plating  
②④ Color: Blank-natural color

**Recommend PCB Layout**

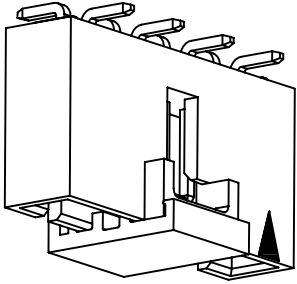
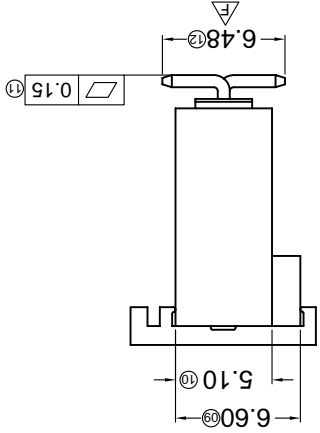




For and on behalf of  
**KKB INDUSTRIAL PRECISION CO., LIMITED**  
 香港星坤工業精密有限公司

REVISIONS  
 (Authorized Signature(s))

MARK	DESCRIPTION	DATE	REVISD	APPROVED	UNSPECIFIED TOLERANCES
△X					±5°
△X					ANGULAR
△X					L ≤ 4 ±0.2
					4 < L ≤ 16 ±0.3
					16 < L ≤ 63 ±0.4
					L > 63 ±0.5



PART NO	Material	Material(Pin)	Finish(Pin)	Suitable XKB Terminal
X9556WVS-XX-4T1V01	PA 4T UL 94V-0	Brass	Gold-Flash	X9556H
X9556WVS-XX-4T5W	PA 4T UL 94V-0	Brass	Matte Tin	X9556H

Poles	Dimensions (mm)			Poles	Dimensions (mm)		
	A	B	C		A	B	C
02	2.54	7.62	5.59	12	27.94	33.02	30.99
03	5.08	10.16	8.13	13	30.48	35.56	33.53
04	7.62	12.70	10.67	14	33.02	38.10	36.07
05	10.16	15.24	13.21	15	35.56	40.64	38.61
06	12.70	17.78	15.75	16	38.10	43.18	41.15
07	15.24	20.32	18.29	17	40.64	45.72	43.69
08	17.78	22.86	20.83	18	43.18	48.26	46.23
09	20.32	25.40	23.37	19	45.72	50.80	48.77
10	22.86	27.94	25.91	20	48.26	53.34	51.31
11	25.40	30.48	28.45				

- ① Series No.
- ② Category: W-WAFER
- ③ Welding Board Angle: V-Straight 180°
- ④ Welding Way: S-SMT
- ⑤ Row No.-Pin No.: XX-02P~20P
- ⑥ Plug the Pin & Special No.:
- ⑦ Material: 4T -PA4T UL 94V-0
- ⑧ Plating Category: V01-Gold Flash
- ⑨ SW-Matte Tin Plating
- ⑩ Color : Blank-Natural Color Black

X9556 W V S-XX X-4T XX XX

- Specifications :
- Voltage rating: 250V AC / DC
- Current rating: 3A AC / DC
- Withstanding voltage: 1500V AC/minute
- Temperature range: -40°C~+105°C
- Insulation resistance: ≥1000MΩ
- Contact resistance: ≤20mΩ
- After environmental testing: ≤30mΩ

DSND	DATE	SCALE: N/A	MODEL TYPE: X9556WVS-XX-4TXX
DWN	DATE <td>VIEW: </td> <td>PART NO.:</td>	VIEW:	PART NO.:
CHKD	DATE <td>UNIT: mm</td> <td>DWG NO.:</td>	UNIT: mm	DWG NO.:
APPD	DATE <td>SIZE: A4</td> <td>REVISION</td>	SIZE: A4	REVISION

**KKB INDUSTRIAL PRECISION CO., LIMITED**

WEIGHT	SHEET	REVISION
1.0g	1/1	A0

For and on behalf of  
**KXB INDUSTRIAL PRECISION CO., LIMITED**  
 香港星坤工業精密有限公司

MARK	DESCRIPTION	DATE	REVISED	APPROVED	UNSPECIFIED TOLERANCES
△ X					L > 63
△ X					16 < L ≤ 63
△ X					4 < L ≤ 16
△ X					L ≤ 4
					ANGULAR
					± 5°

REVISIONS	DATE	DATE	DATE	DATE	DATE
APPROVED					
REVISED					
APPROVED					
UNSPECIFIED TOLERANCES					

DSND	DATE	SCALE: N/A	MODEL TYPE:	MODEL TYPE:
DWN	DATE <td>VIEW: </td> <td>PART NO.:</td> <td>X9556WV-XX-N0XX</td>	VIEW:	PART NO.:	X9556WV-XX-N0XX
CHKD	DATE <td>UNIT: mm</td> <td>DWG NO.:</td> <td>2.54 mm Crimp Style Connectors</td>	UNIT: mm	DWG NO.:	2.54 mm Crimp Style Connectors
APPD	DATE <td>SIZE: A4</td> <td>WEIGHT</td> <td>1.0g</td>	SIZE: A4	WEIGHT	1.0g

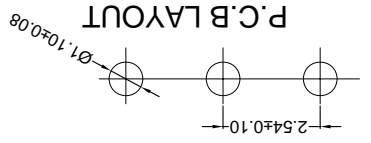
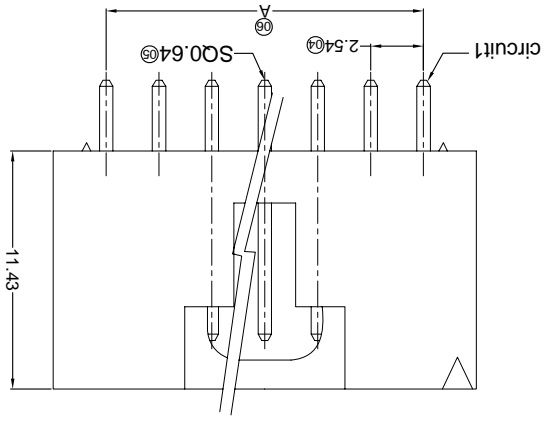
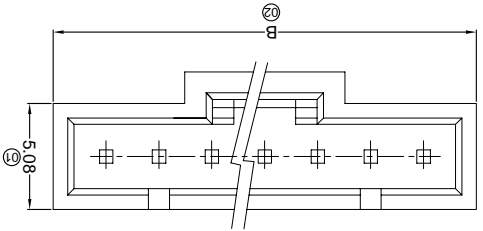
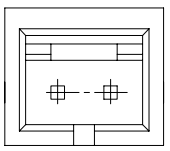
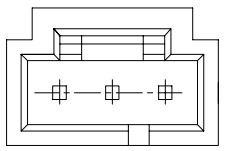
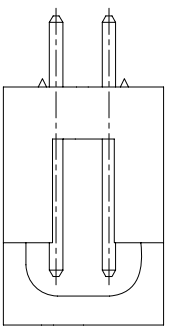
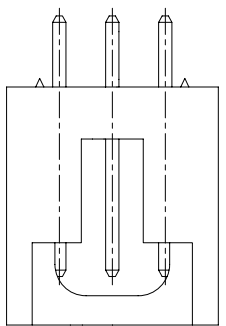
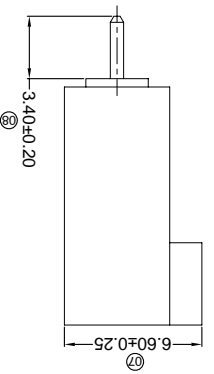
PART NO	Material	Material (Pin)	Finish (Pin)	Suitable XKB Terminal
X9556WV-XX-N0V15	Nylon 66 UL 94V-0	Brass	Gold-Plated 15u"	X9556H
X9556WV-XX-N0V01	Nylon 66 UL 94V-0	Brass	Gold-Flash	

Dimensions (mm)	Poles
2.54	A
7.62	B
5.08	C
12.70	D
15.24	E
10.16	F
17.78	G
20.32	H
22.86	I
25.40	J
27.94	K
30.48	L
33.02	M
35.56	N
38.10	O
40.64	P
43.18	Q
45.72	R
48.26	S
50.80	T
53.34	U
55.88	V
58.42	W
60.96	X
63.50	Y

- Specifications :**
- Voltage rating: 250V AC / DC
  - Current rating: 3A AC / DC
  - Withstanding voltage: 1500V AC/minute
  - Temperature range: -25°C~+85°C
  - Insulation resistance: ≥1000MΩ
  - Contact resistance: ≤20mΩ
  - After environmental testing: ≤30mΩ

X9556 W V XX- XX X-N0XX XX  
 ① Series No.  
 ② Category: W-water  
 ③ Welding Board Angle: V-180°  
 ④ Welding Way: Blank-DIP  
 ⑤ Row No.-Pin No. XX-Single row  
 ⑥ Special NO.  
 ⑦ Material: N0-PA66 94V-0  
 ⑧ Plating Category: V\*\*All Gold-Plated  
 ⑨ \*01-Gold Flash : \*02-2u" ; \*03-3u" ; \*05-5u" ; \*10-10u" ; \*15-15u" ; \*30-30u" ; \*50-50u"

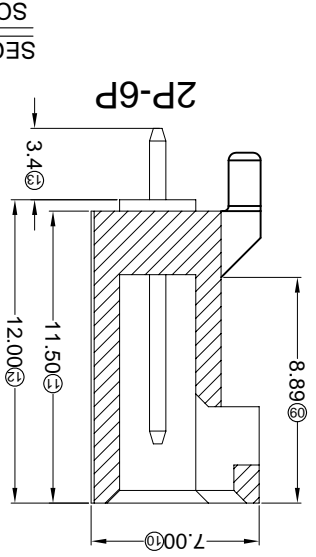
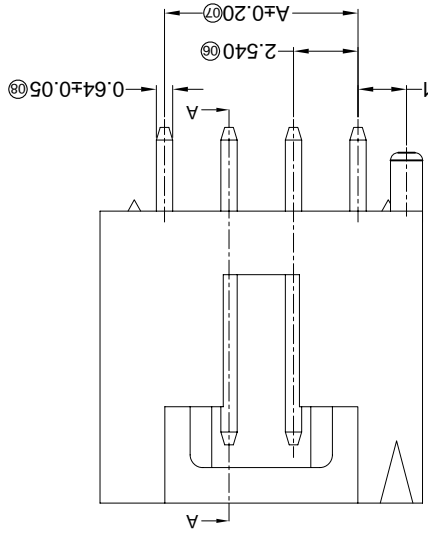
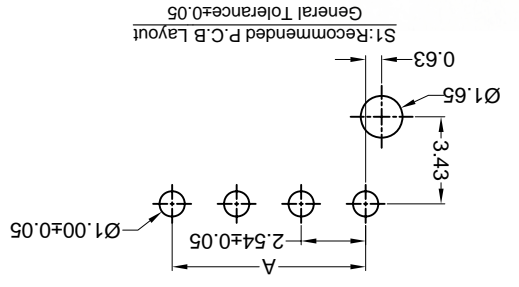
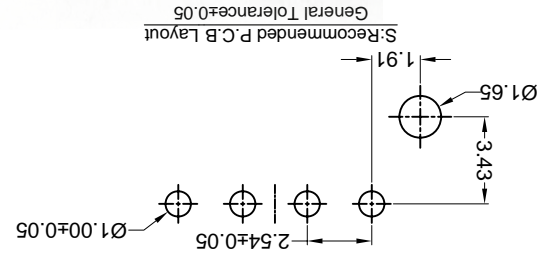
- ⑩ Color: Blank-natural color  
 ⑪ SW-Fog Tin plating  
 ⑫ SN1-Bright tin plating 120u"Min. ;  
 ⑬ SN-Bright tin plating 70u"  
 ⑭ \*10-10u" ; \*15-15u" ; \*30-30u" ; \*50-50u"



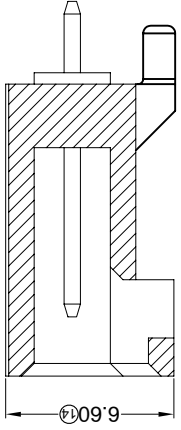
For and on behalf of  
**KXB INDUSTRIAL PRECISION CO., LIMITED**  
 香港星洲工業精密有限公司  
 REMISIONS  
 (Unauthorized Signature(s))

MARK	DESCRIPTION	DATE	REVISED	APPROVED	UNSPECIFIED TOLERANCES
△ X					L > 63 ± 0.5
△ X					16 < L ≤ 63 ± 0.4
△ X					4 < L ≤ 16 ± 0.3
					L ≤ 4 ± 0.2
					ANGULAR ± 5°

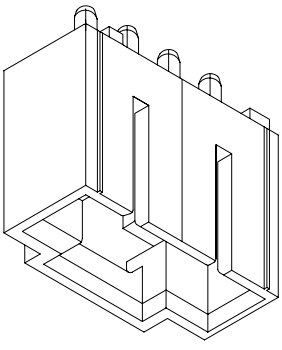
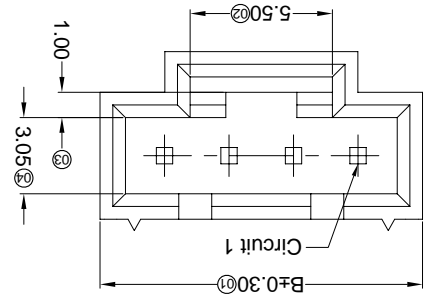
REVISION	SHEET	WEIGHT	1.0g	1/1	A0
<b>KXB INDUSTRIAL PRECISION CO., LIMITED</b>					
APPD	DATE	SIZE: A4	DWG NO.:		
CHKD	DATE	UNIT: mm	2.54 mm Crimp Style Connectors		
DWN	DATE	VIEW:	PART NO.:		
DSND	DATE	SCALE: N/A	MODEL TYPE: X9556WV-XXSX-LP01		



7P-1F



SECTION A-A  
 SCALE 1 : 1



PART NO	Material	Material(Pin)	Finish(Pin)	Suitable XKB Terminal
X9556WV-XXSX-LP01	LCP UL 94V-0	Brass	Gold-Flash	X9556H

Poles	Dimensions (mm)		A	B	Poles	Dimensions (mm)	
	A	B				A	B
2	2.54	7.62	14	33.02	38.10	35.56	38.10
3	5.08	10.16	15	35.56	40.64	35.56	40.64
4	7.62	12.70	16	38.10	43.18	35.56	43.18
5	10.16	15.24	17	40.64	45.72	35.56	45.72
6	12.70	17.78	18	43.18	48.26	35.56	48.26
7	15.24	20.32	19	45.72	50.80	35.56	50.80
8	17.78	22.86	20	48.26	53.34	35.56	53.34
9	20.32	25.40	21	50.80	55.88	35.56	55.88
10	22.86	27.94	22	53.34	58.42	35.56	58.42
11	25.40	30.48	23	55.88	60.96	35.56	60.96
12	27.94	33.02	24	58.42	63.50	35.56	63.50
13	30.48	35.56				35.56	

- ① Series No.
  - ② Category: W-water
  - ③ Welding Board Angle: V- Straight 180°
  - ④ Welding Way: Blank-DIP
  - ⑤ Row No.-Pin No.: XX-02P~24P
  - ⑥ Plug the Pin & Special No.:
  - ⑦ S-With Post,distance Pin 1.91mm;
  - ⑧ S1-With Post ,distance Pin 0.63mm;
  - ⑨ Material: LP-LCP 94V-0;
  - ⑩ Planting Category: V01-Gold Flash;
  - ⑪ Color: Blank-Natural Color
- X9556 W V X-XX SX-LP XXX XX  
 ① ② ③ ④ ⑤ ⑥ ⑦ ⑧ ⑨ ⑩ ⑪

- Voltage rating: 250V AC / DC
- Current rating: 3A AC / DC
- Withstanding voltage: 1500V AC/minute
- Temperature range: -25°C~+85°C
- Insulation resistance: ≥1000MΩ
- Contact resistance: ≤20mΩ
- After environmental testing: ≤30mΩ

## X-ON Electronics

Largest Supplier of Electrical and Electronic Components

*Click to view similar products for [Headers & Wire Housings](#) category:*

*Click to view products by [XKB](#) manufacturer:*

Other Similar products are found below :

[95000-104TRLF](#) [10135584-644402LF](#) [DF62W-EP2022PCA](#) [95000-106TRLF](#) [DF62W-2022SCA](#) [DF62W-EP2022PC](#) [2203348](#) [DF62W-2022SC](#) [1084018](#) [1029039](#) [1084017](#) [802-10-012-10-002000](#) [1112640](#) [1112639](#) [891-007-9SS-BST1T](#) [000-34000](#) [0008550134](#) [0009482033](#) [0009507031](#) [57102-F02-18ULF](#) [57102-S06-03LF](#) [57202-S52-04LF](#) [PCN6-15S-2.5E](#) [0039019024](#) [58102-G61-06LF](#) [582553-1](#) [0009485154](#) [0009508121](#) [0022285053](#) [0050291907](#) [018731A](#) [LY20-4P-DT1-P1E-BR](#) [02.125.8002.8](#) [60101931](#) [60598-1 \(Cut Strip\)](#) [M1625-3R/100](#) [61062-3](#) [61082-181009](#) [CSU011177004](#) [636-1427](#) [638009-1](#) [641938-9](#) [641991-4](#) [644168-1](#) [644827-2](#) [647662-1](#) [65039-019ELF](#) [65692-001LF](#) [65781-018](#) [65781-047](#)