

X9556 H F-02 L-N0 XX  
 01 02 03 04 05 06 07

- 01 Series No.
- 02 Category: H-HSG
- 03 Welding Board Angle: F-Female HGS
- 04 Row No.-Pin No.: XX-Single row
- 05 special No.
- 06 Material: N0-PA66 94V-0
- 07 Color: Blank-Natural Color

- Specifications :
- Voltage rating: 250V AC / DC
  - Current rating: 3A AC / DC
  - Withstanding voltage: 1500V AC/minute
  - Temperature range: -25°C~+85°C
  - Insulation resistance: ≥1000MΩ
  - Contact resistance: ≤20mΩ
  - After environmental testing : ≤30mΩ

Poles		Dimensions (mm)	
A	B	A	B
2	2.54	5.08	--
3	5.08	7.62	2.54
4	7.62	10.16	5.08
5	10.16	12.70	7.62
6	12.70	15.24	10.16
7	15.24	17.78	12.70
8	17.78	20.32	15.24
9	20.32	22.86	17.78
10	22.86	25.40	20.32
11	25.40	27.94	22.86
12	27.94	30.48	25.40
13	30.48	33.02	27.94
14	33.02	35.56	30.48
15	35.56	38.10	33.02
16	38.10	40.64	35.56
17	40.64	43.18	38.10
18	43.18	45.72	40.64
19	45.72	48.26	43.18
20	48.26	50.80	45.72

PART NO	Material	Suitable XKB Terminal	Suitable XKB Terminal
X9556HF-02L-N0	PA66 UL 94V-0	X9556TM	X9556HM-L

DSND		DATE	SCALE: N/A	MODEL TYPE: X9556HF-02L-N0
△ X	ANGULAR	±5°		
△ X	L ≤ 4	±0.2		
△ X	4 < L ≤ 16	±0.3		
△ X	16 < L ≤ 63	±0.4		
△ X	L > 63	±0.5		

MARK	DESCRIPTION	DATE	REVISED	APPROVED	UNSPECIFIED TOLERANCES

For and on behalf of  
 XKB INDUSTRIAL PRECISION CO., LIMITED  
 香港星坤工業精密有限公司

DSND	DATE	SCALE: N/A	MODEL TYPE: X9556HF-02L-N0	DWN	DATE	VIEW: ④	PART NO.: 2.54 mm Crimp Style Connectors
CHKD	DATE <td>UNIT: mm</td> <td>DWG NO.:</td> <td>APPD</td> <td>DATE <td>SIZE: A4</td> <td></td> </td>	UNIT: mm	DWG NO.:	APPD	DATE <td>SIZE: A4</td> <td></td>	SIZE: A4	

REVISIONS	REVISION (Signature(s))
A0	REVISION

1 2 3 4 5 6 7 8

1 2 3 4 5 6 7 8

For and on behalf of  
**KXB INDUSTRIAL PRECISION CO., LIMITED**  
 香港星坤工業精密有限公司

MARK	DESCRIPTION	REVISIONS			UNSPECIFIED TOLERANCES		
		DATE	REVISED	APPROVED	L > 63	± 0.5	
△ X						16 < L ≤ 63	± 0.4
△ X						4 < L ≤ 16	± 0.3
△ X						L ≤ 4	± 0.2
						ANGULAR	± 5°

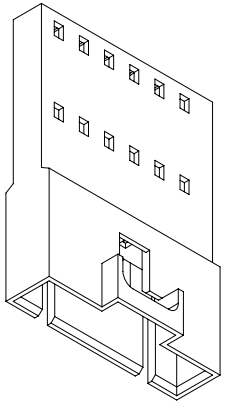
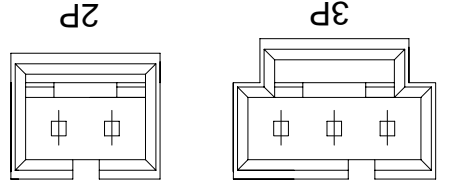
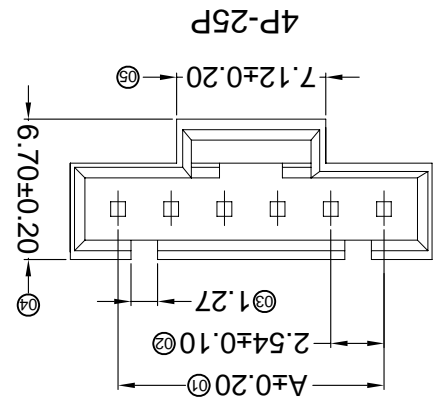
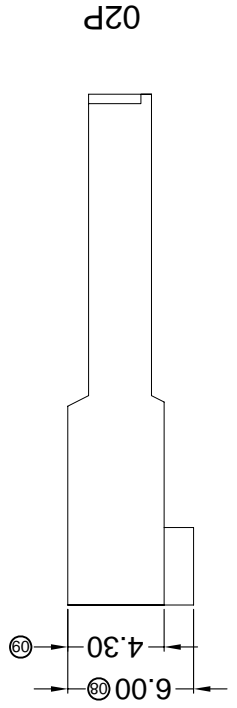
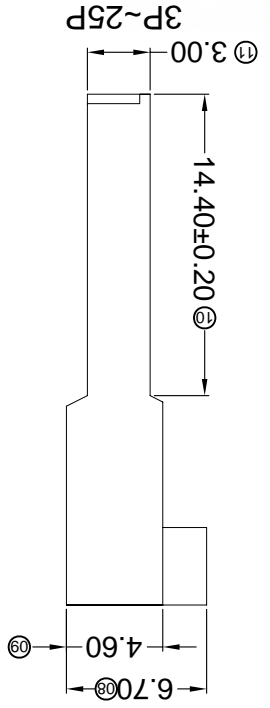
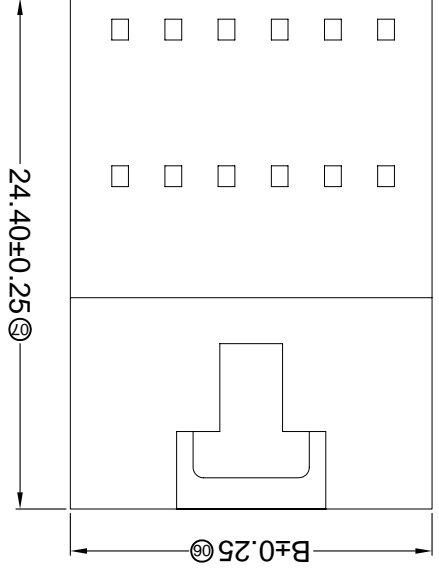
REVISIONS		WEIGHT		KXB INDUSTRIAL PRECISION CO., LIMITED	
NO.	DESCRIPTION	WEIGHT	SHEET	DATE	SIZE
A0		1.0g	1/1		A4

DSND	DATE	SCALE	VIEW	PART NO.	MODEL TYPE
		N/A	①	X9556HF-XX-PT	X9556HF-XX-PT

DWN	DATE	UNIT	DWG NO.
		mm	

CHKD	DATE	DATE

APPD	DATE	DATE



- ① Series No.  
 ② Category: H-HSG  
 ③ Welding Board Angle: F-Female HGS  
 ④ Row No.-Pin No.: XX-Single row  
 ⑤ Special No.  
 ⑥ Material: PT-PBT 94V-0  
 ⑦ Color: Blank-Natural Color
- X9556 H F-XX X-PT XX  
 ① ② ③ ④ ⑤ ⑥ ⑦

PART NO	Material	Poles		PART NO	Suitable XKB Terminal
		A	B		
X9556H	PBT UL 94V-0			X9556H	Suitable XKB Terminal

Poles	Dimensions (mm)		Poles	Dimensions (mm)	
	A	B		A	B
02	2.54	7.12	10	22.86	27.44
03	5.08	9.66	11	25.40	29.98
04	7.62	12.20	12	27.94	32.52
05	10.16	14.74	13	30.48	35.06
06	12.70	17.28	14	33.02	37.60
07	15.24	19.82	15	35.56	40.14
08	17.78	22.36	16	38.10	42.68
09	20.32	24.90	17	40.64	45.22

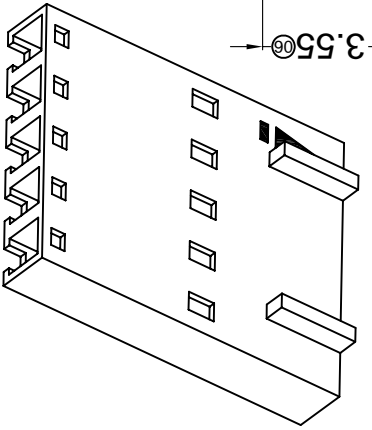
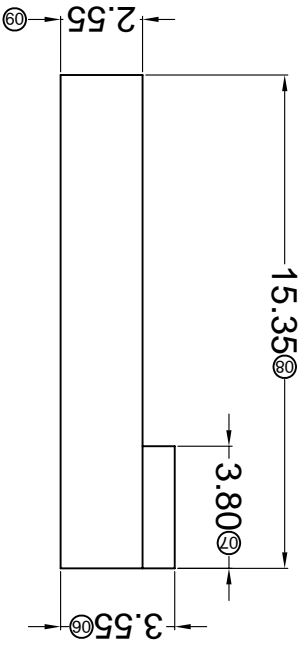
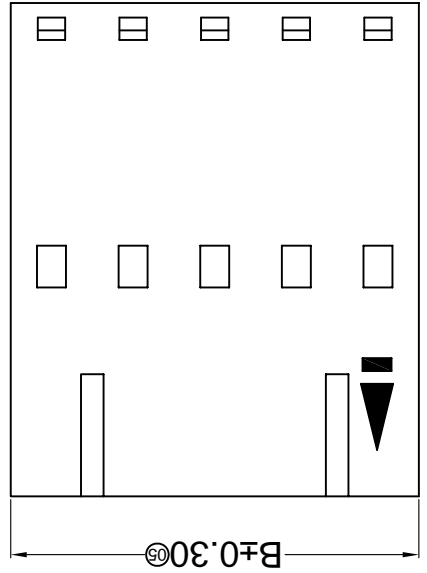
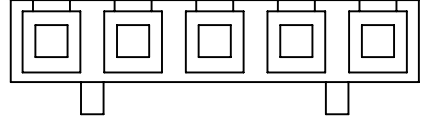
- Specifications:
- Voltage rating: 250V AC / DC
  - Current rating: 3A AC / DC
  - Withstanding voltage: 1500V AC/minute
  - Temperature range: -25°C~+85°C
  - Insulation resistance: ≥1000MΩ
  - Contact resistance: ≤20mΩ
  - After environmental testing: ≤30mΩ

For and on behalf of  
**KKB INDUSTRIAL PRECISION CO., LIMITED**  
 香港星坤工業精密有限公司  
 Authorized Signature(s)

MARK	DESCRIPTION	DATE	REVISD	APPROVED	UNSPECIFIED TOLERANCES
△ X					L > 63 ± 0.5
△ X					16 < L ≤ 63 ± 0.4
△ X					4 < L ≤ 16 ± 0.3
					L ≤ 4 ± 0.2
					ANGULAR ± 5°

REVISION	SHEET	WEIGHT	SIZE	DATE	DATE	DATE	DATE
A0	1/1	1.0g	A4				

DSND	SCALE: N/A	MODEL TYPE: X9556H-XXA-N0
DWN	VIEW:	PART NO.: 2.54mm Crimp Style Connectors
CHKD	UNIT: mm	DWG NO.:
APPD	DATE	DATE



Poles	Dimensions (mm)	
	A	B
02	2.54	5.08
03	5.08	7.62
04	7.62	10.16
05	10.16	12.70
06	12.70	15.24
07	15.24	17.78
08	17.78	20.32

- ① Series No.
- ② Category: H-HSG
- ③ Appearance type: Blank-Ordinary
- ④ Row No.-Pin No.: XX-02P-15P
- ⑤ Plug the Pin & special No.:
- ⑥ A-There are convex point
- ⑦ Material: NO-PA66 UL 94V-0
- ⑧ Color: Blank-Natural Color

X9556 H X-XX A-N0 XX

- Specifications :
- Voltage rating: 250V AC / DC
  - Current rating: 3A AC / DC
  - Withstanding voltage: 1500V AC/minute
  - Temperature range: -25°C~+85°C
  - Insulation resistance: ≥1000MΩ
  - Contact resistance: ≤20mΩ
  - After environmental testing: ≤30mΩ

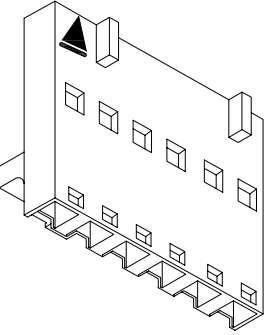
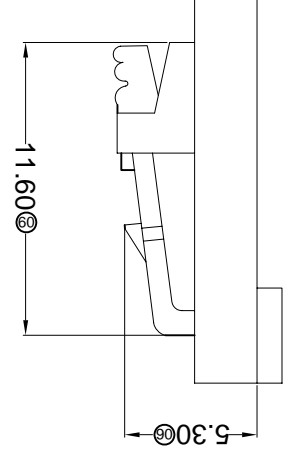
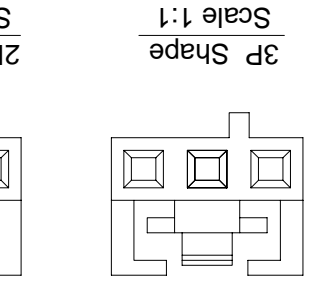
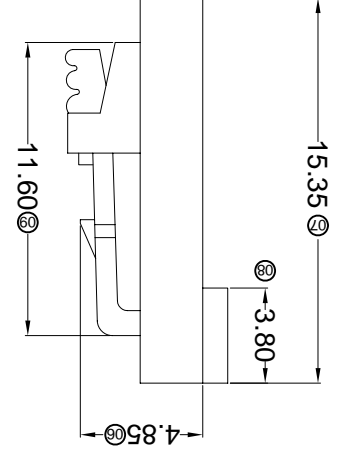
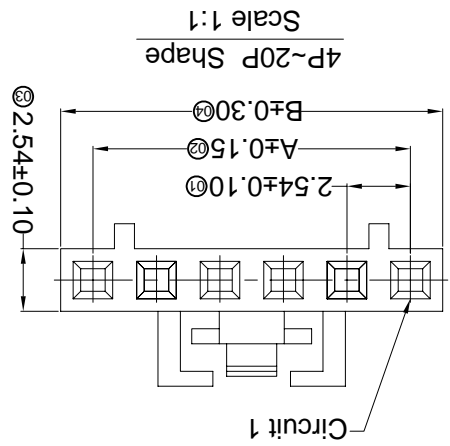
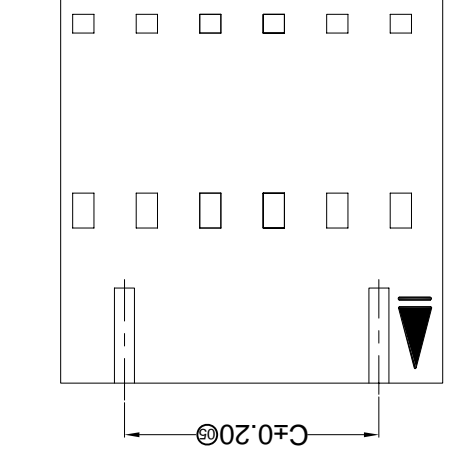
PART NO	Material	Suitable XKB Terminal	Suitable XKB Terminal
X9556H-XXA-N0	PA66 UL 94V-0	X9556T	X9566W

For and on behalf of  
**KKB INDUSTRIAL PRECISION CO., LIMITED**  
 香港星洲工業精密有限公司

MARK	DESCRIPTION	DATE	REVISED	APPROVED	UNSPECIFIED TOLERANCES
△ X					L > 63 ± 0.5
△ X					16 < L ≤ 63 ± 0.4
△ X					4 < L ≤ 16 ± 0.3
					L ≤ 4 ± 0.2
					ANGULAR ± 5°

REVISIONS	KKB INDUSTRIAL PRECISION CO., LIMITED	
WEIGHT	1.0g	
SHEET	1/1	
REVISION	A0	

DSND	DATE	SCALE: N/A	MODEL TYPE: X9556H-XXB-N0XX
DWN	DATE <td>VIEW: </td> <td>PART NO.: </td>	VIEW:	PART NO.:
CHKD	DATE <td>UNIT: mm</td> <td>DWG NO.:</td>	UNIT: mm	DWG NO.:
APPD	DATE <td>SIZE: A4</td> <td></td>	SIZE: A4	



PART NO	Material	Suitable XkB Terminal
X9556H-XXB-N0HF	Nylon 66 UL 94V-0 Halogen Free	X9556T
X9556H-XXB-N0	Nylon 66 UL 94V-0	Suitable XkB Terminal

Poles	Dimensions(mm)		
	A	B	C
02	2.54	5.08	--
03	5.08	7.62	--
04	7.62	10.16	5.08
05	10.16	12.70	7.62
06	12.70	15.24	10.16
07	15.24	17.78	12.70
08	17.78	20.32	15.24
09	20.32	22.86	17.78
10	22.86	25.40	20.32
11	25.40	27.94	22.86

- Specifications :
- Voltage rating: 250V AC / DC
  - Current rating: 3A AC / DC
  - Withstanding voltage: 1500V AC/minute
  - Temperature range: -25°C~+85°C
  - Insulation resistance: ≥1000MΩ
  - Contact resistance: ≤20mΩ
  - After environmental testing: ≤30mΩ
- X9556 H X-XX B-N0 XX
- ① ② ③ ④ ⑤ ⑥ ⑦
  - ⑧ Series No.
  - ⑨ Category: H-HSG
  - ⑩ Welding Board Angle: Blank-ordinary
  - ⑪ Row No.-Pin No.:XX-Single row
  - ⑫ Special No.
  - ⑬ B-There are convex point and the buckle
  - ⑭ Material: NO-PA66 94V-0
  - ⑮ Color:
  - ⑯ Blank-Natural Color
  - ⑰ HF-Halogen free

*For and on behalf of*  
**KXB INDUSTRIAL PRECISION CO., LIMITED**  
 香港星洲工業精密有限公司  
 REVISIONS  
 UNAUTHORIZED SIGNATURE(S)

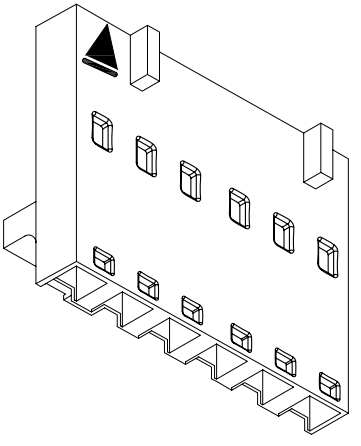
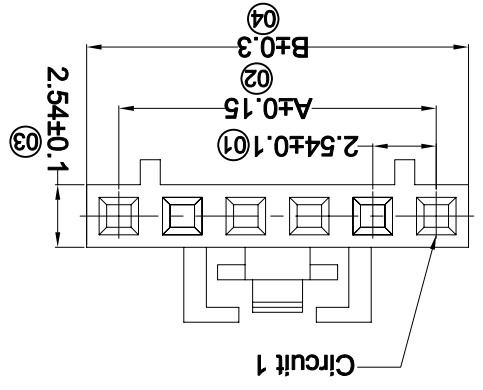
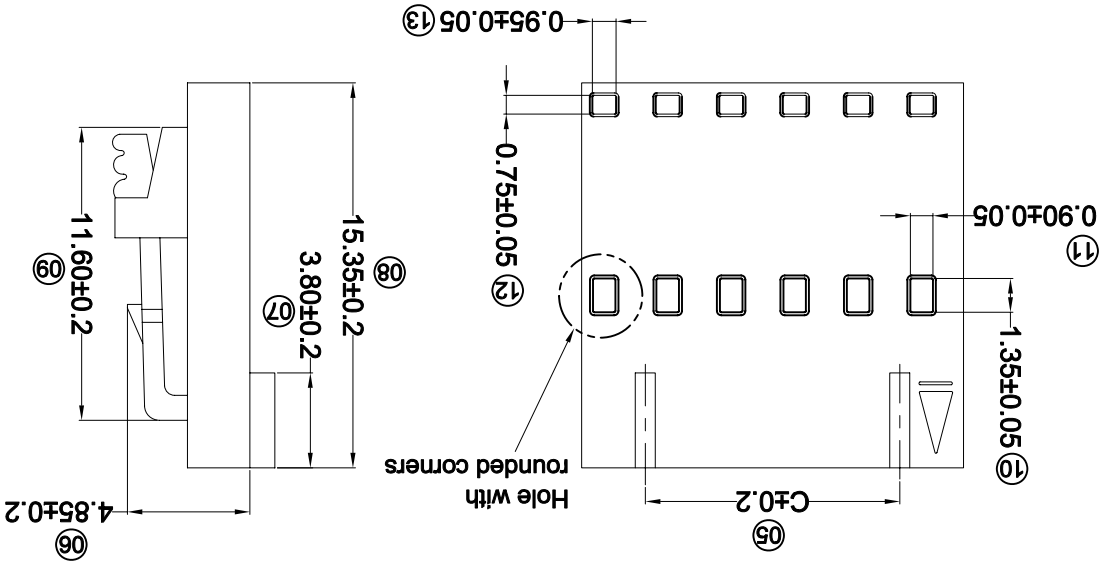
MARK	DESCRIPTION	DATE	REVISED	APPROVED	UNSPECIFIED TOLERANCES
△ X					L > 63 ± 0.5
△ X					16 < L ≤ 63 ± 0.4
△ X					4 < L ≤ 16 ± 0.3
					L ≤ 4 ± 0.2
					ANGULAR ± 5°

DATE	DATE	DATE	DATE	DATE	DATE	DATE	DATE	DATE	DATE
DSND	DWN	CHKD	APPD						
SCALE: N/A	VIEW:	UNIT: mm	SIZE: A4						
MODEL TYPE: X9556H-XXC-N0XX	PART NO.:	2.54 mm Crimp Style Connectors							
	DWG NO.:								
	WEIGHT	1.0g	SHEET	1/1	REVISION	A0			

PART NO	Material	Suitable XKB Terminal
X9556H-XXC-N0	Nylon 66 UL 94V-0	Suitable XKB Terminal
X9556H-XXC-N0HF	Halogen Free Nylon 66 UL 94V-0	Suitable XKB Terminal

Poles	A	B	C
2	2.54	5.08	-
3	5.08	7.62	2.54
4	7.62	10.16	5.08
5	10.16	12.70	7.62
6	12.70	15.24	10.16
7	15.24	17.78	12.70
8	17.78	20.32	15.24
9	20.32	22.86	17.78
10	22.86	25.40	20.32
11	25.40	27.94	22.86
12	27.94	30.48	25.40
13	30.48	33.02	27.94
14	33.02	35.56	30.48
15	35.56	38.10	33.02
16	38.10	40.64	35.56
17	40.64	43.18	38.10
18	43.18	45.72	40.64
19	45.72	48.26	43.18
20	48.26	50.80	45.72

- X9556 H X-XX C-N0 XX**
- ① Series No.
  - ② Category: H-HSG
  - ③ Welding Board Angle:
  - ④ Row No.-Pin No.:
  - ⑤ Blank-ordinary
  - ⑥ XX-Single row
  - ⑦ special No.
  - ⑧ C-Hole with rounded corners
  - ⑨ Material: N0-PA66 94V-0
  - ⑩ Color: Blank-Natural Color
  - ⑪ HF-Halogen free



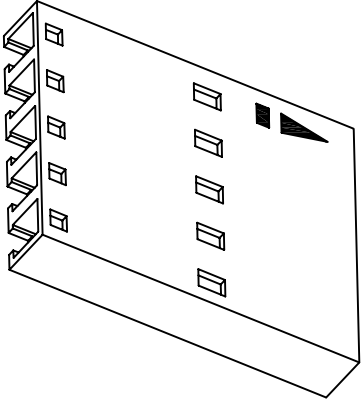
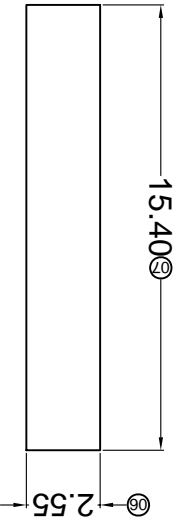
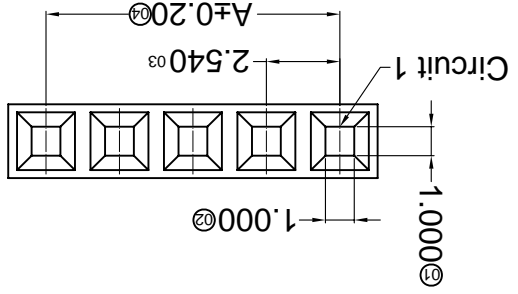
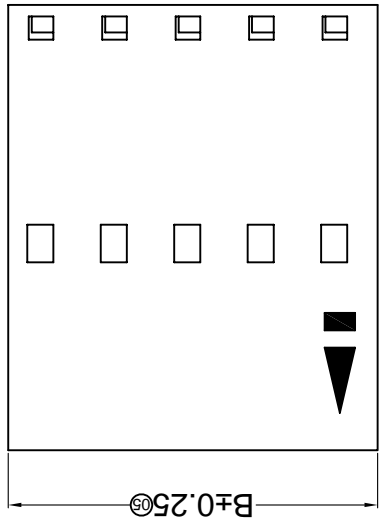
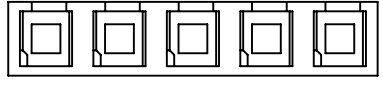
- Specifications :**
- Voltage rating: 250V AC / DC
  - Current rating: 3A AC / DC
  - Withstanding voltage: 1500V AC/minute
  - Temperature range: -25°C~+85°C
  - Insulation resistance:  $\geq 1000M\Omega$
  - Contact resistance:  $\leq 20m\Omega$
  - After environmental testing:  $\leq 30m\Omega$

For and on behalf of  
 XKB INDUSTRIAL PRECISION CO., LIMITED  
 香港星坤工業精密有限公司

REMISSIONS  
 Authorized Signature(s)

MARK	DESCRIPTION	DATE	REVISD	APPROVED	UNSPECIFIED TOLERANCES
△ X					L > 63 ± 0.5
△ X					16 < L ≤ 63 ± 0.4
△ X					4 < L ≤ 16 ± 0.3
					L ≤ 4 ± 0.2
					ANGULAR ± 5°

DSND	DATE	SCALE: N/A	MODEL TYPE: X9556H-XX-N0
DWN	DATE <td>VIEW: </td> <td>PART NO.: </td>	VIEW:	PART NO.:
CHKD	DATE <td>UNIT: mm</td> <td>DWG NO.:</td>	UNIT: mm	DWG NO.:
APPD	DATE <td>SIZE: A4</td> <td>WEIGHT: 1.0g</td>	SIZE: A4	WEIGHT: 1.0g
			SHEET: 1/1
			REVISION: A0



PART NO	Material	Suitable XKB Terminal	Suitable XKB Terminal
X9556H-XX-N0	PA66 UL 94V-0	X9556T	X9556W

Poles	Dimensions (mm)	
	A	B
02	2.54	5.15
03	5.08	7.69
04	7.62	10.23
05	10.16	12.77
06	12.70	15.31
07	15.24	17.85
08	17.78	20.39
		22.93
		25.47
		28.01
		30.55
		33.09
		35.63
		38.17

- ① Series No.
- ② Category: H-HSG
- ③ Appearance type: Blank-Ordinary
- ④ Row No.-Pin No.: XX-02P~15P
- ⑤ Plug the Pin & special No.:
- ⑥ Material: NO-PA66 UL 94V-0
- ⑦ Color: Blank-Natural Color

X9556 H X-XX X-N0 XX  
 ① ② ③ ④ ⑤ ⑥ ⑦

- Specifications :
- Voltage rating: 250V AC / DC
- Current rating: 3A AC / DC
- Withstanding voltage: 1500V AC/minute
- Temperature range: -25°C~+85°C
- Insulation resistance: ≥1000MΩ
- Contact resistance: ≤20mΩ
- After environmental testing: ≤30mΩ



For and on behalf of  
**XKB INDUSTRIAL PRECISION CO., LIMITED**  
 香港星洲工業精密有限公司

REVISIONS  
 Authorized Signature(s)

MARK	DESCRIPTION	DATE	REVISED	APPROVED	UNSPECIFIED TOLERANCES
△ X					± 5°
△ X					ANGULAR
△ X					L ≤ 4
					± 0.2
					L ≤ 16
					± 0.4
					16 < L ≤ 63
					± 0.4
					L > 63
					± 0.5

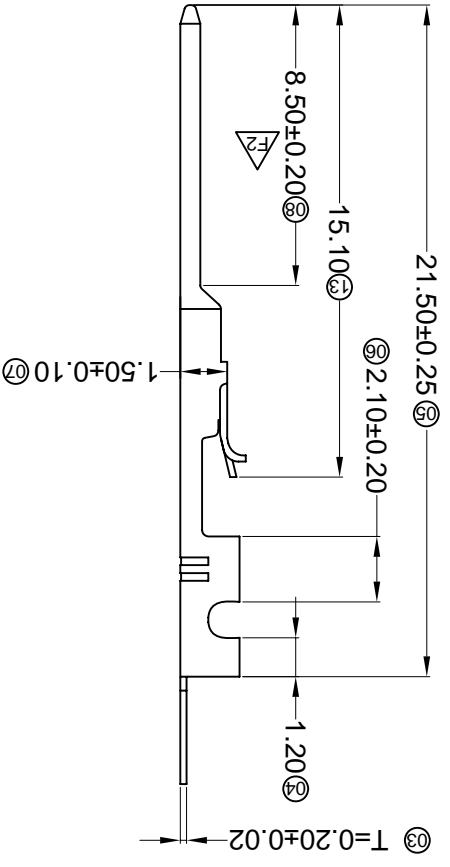
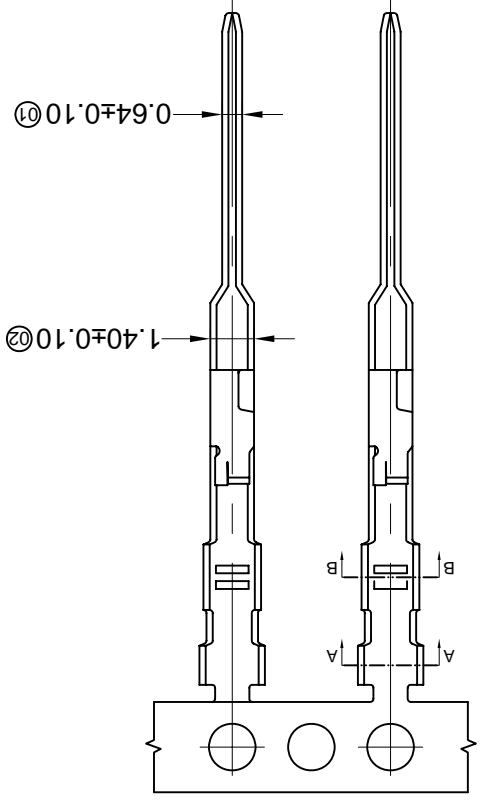
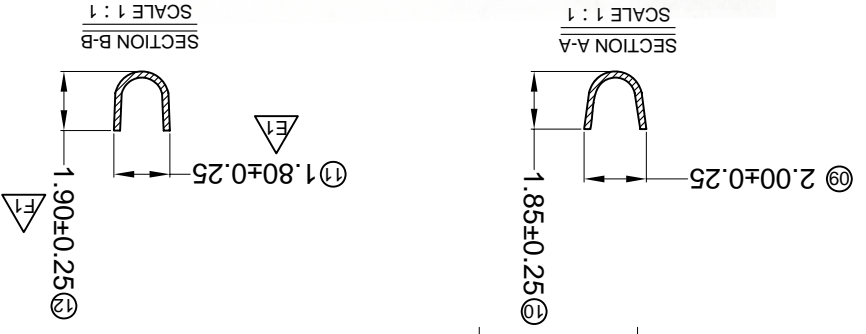
REVISION	SHEET	WEIGHT	WIRE RANGE	INSULATION O.D.	MATERIAL	WIRE RANGE	INSULATION O.D.	FINISH	SUITABLE XKB
A0	1/1	1.0g							

DSND	DATE	SCALE: N/A	MODEL TYPE: X9556TM-PXXX

DWN	DATE	VIEW:	PART NO.: X9556TM-PXXX

CHKD	DATE	UNIT: mm	DWG NO.:
			2.54 mm Crimp Style Connectors

APPD	DATE	SIZE: A4



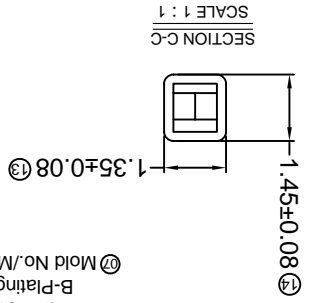
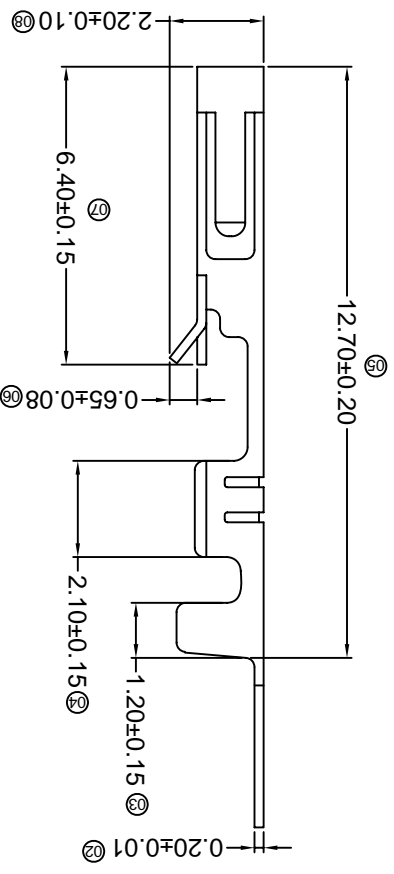
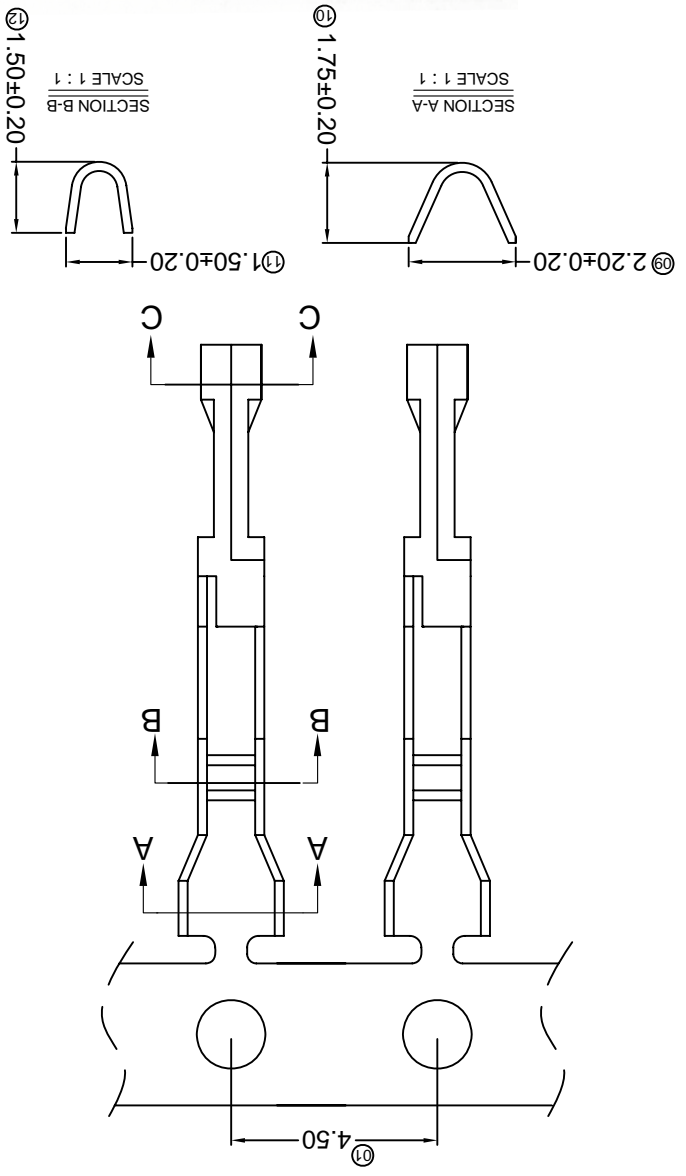
- X9556 T M-P XX X-X**
- ① Series Number
  - ② Category: T-terminal
  - ③ Shape: M-male
  - ④ Material: P-Phosphor bronze
  - ⑤ Plating style: G01-Gold Plated Contact
  - ⑥ Plating method: SN-Bright tin plating
  - ⑦ Blank-Stamping before plating
  - ⑧ Mold No./Mark/Special No.

- Specifications :**
- Voltage rating: 250V AC / DC
  - Current rating: 3A AC / DC
  - Withstanding voltage: 1500V AC/minute
  - Temperature range: -25°C~+85°C
  - Insulation resistance: ≥1000MΩ
  - Contact resistance: ≤20mΩ
  - After environmental testing: ≤30mΩ

*For and on behalf of*  
**XKB INDUSTRIAL PRECISION CO., LIMITED**  
 香港星坤工業精密有限公司

REVISIONS		UNSPECIFIED TOLERANCES	
MARK	DESCRIPTION	DATE	APPROVED
△ X		L > 63	± 0.5
△ X		16 < L ≤ 63	± 0.4
△ X		4 < L ≤ 16	± 0.3
△ X		L ≤ 4	± 0.2
		ANGULAR	± 5°

XKB INDUSTRIAL PRECISION CO., LIMITED	
DSND	DATE
DWN	DATE
CHKD	DATE
APPD	DATE
MODEL TYPE:	SCALE: N/A
PART NO.:	VIEW:
DWG NO.:	UNIT: mm
WEIGHT	SIZE: A4
SHEET	1/1
REVISION	A0



- ① Series Number
- ② Category: T-terminal
- ③ Shape: Blank-ordinary
- ④ Material:
- ⑤ P-Phosphor bronze ; B-brass
- ⑥ Plating style:
- ⑦ G\*\*-Gold-Plated Contact
- ⑧ \*01-Gold Flash ;
- ⑨ \*15-15u"
- ⑩ SN-Bright tin plating 70-120u"
- ⑪ 0-No plating material
- ⑫ Plating method:
- ⑬ Blank-Stamping before plating
- ⑭ B-Plating before stamping
- ⑮ Mold No./Mark/Special No.

X9556 T XX - X XX X - X

- Specifications :**
- Voltage rating: 250V AC / DC
  - Current rating: 3A AC / DC
  - Withstanding voltage: 1500V AC/minute
  - Temperature range: -25°C~+85°C
  - Insulation resistance: ≥1000MΩ
  - Contact resistance: ≤20mΩ
  - After environmental testing : ≤30mΩ



**For and on behalf of**  
**XKB INDUSTRIAL PRECISION CO., LIMITED**  
 香港星洲工業精密有限公司

MARK	DESCRIPTION	DATE	REVISD	APPROVED	UNSPECIFIED TOLERANCES
△ X					L > 63 ± 0.5
△ X					16 < L ≤ 63 ± 0.4
△ X					4 < L ≤ 16 ± 0.3
					L ≤ 4 ± 0.2
					ANGULAR ± 5°

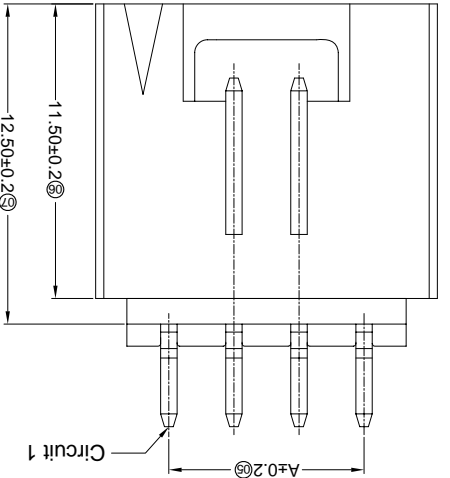
REVISIONS	XKB INDUSTRIAL PRECISION CO., LIMITED	
REVISION	WEIGHT	1.0g
SHEET		1/1
A0		

DATE	SCALE: N/A	MODEL TYPE:
		X9556WRS-XXX-XXXX

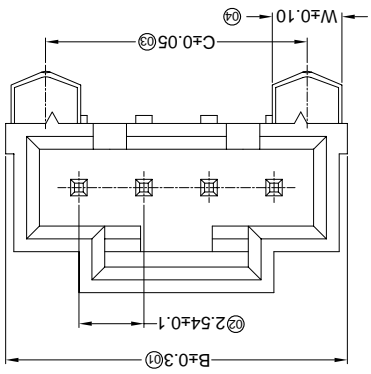
DATE	VIEW:	PART NO.:
		2.54 mm Crimp Style Connectors

DATE	UNIT: mm	DWG NO.:

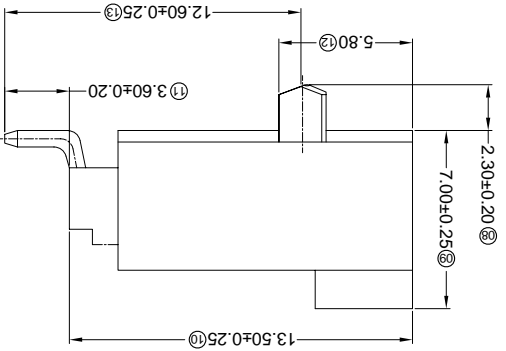
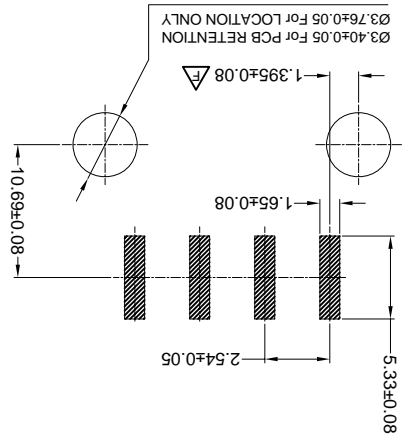
DATE	SIZE: A4	APPD



9556WRS-XX-LPV01	W=2.7
9556WRS-XX-A-LPV01	W=3.12



**Recommand PCB Layout**



PART NO	Material	Material(Pin)	Finish(Pin)	Suitable XKB Terminal
X9556WRS-XXX-LPV01	LCP UL 94V-0	Brass	Gold-Flash	X9556H
X9556WRS-XXA-LPV01	LCP UL 94V-0		Mate tin	
X9556WRS-XXX-LPSW				
X9556WRS-XXX-4TSW	Nylon 4T 94V-0			

Poles	Dimensions (mm)			Poles	Dimensions (mm)		
	A	B	C		A	B	C
02	2.54	8.89	5.33	08	17.78	24.13	20.57
03	5.08	11.43	7.87	09	20.32	26.67	23.11
04	7.62	13.97	10.41	10	22.86	29.21	25.65
05	10.16	16.51	12.95	11	25.40	31.75	28.19
06	12.70	19.05	15.49	12	27.94	34.29	30.73
07	15.24	21.59	18.03				

- Specifications :**
- Voltage rating: 250V AC / DC
  - Current rating: 3A AC / DC
  - Withstanding voltage: 1500V AC/minute
  - Temperature range: -40°C~+105°C
  - Insulation resistance: ≥1000M<sup>Ω</sup>/E
  - Contact resistance: ≤20m<sup>Ω</sup>/E
  - After environmental testing: ≤30m<sup>Ω</sup>/E
- ① Series No.  
 ② Category: W-water  
 ③ Welding Board Angle: R-90°  
 ④ Welding Way: S-SMT  
 ⑤ Row No.-Pin No.: XX-Single row  
 ⑥ Special NO. Blank: W=2.7 A: W=3.12  
 ⑦ Material: LP-LCP 94V-0 4T-Nylon 4T 94V-0  
 ⑧ Plating Category:  
 V\*\*:All Gold-Plated \*01-Gold Flash  
 SW-Matte Tin plating  
 ⑨ Color:  
 Blank-Natural Color Black

X9556 W R S- XX-XX LP XX XX

A B C D E F 1 2 3 4 5 6 7 8

MARK	DESCRIPTION	DATE	REVISED	APPROVED	UNSPECIFIED TOLERANCES
△ X					L > 63
△ X					16 < L ≤ 63
△ X					4 < L ≤ 16
△ X					L ≤ 4
					ANGULAR
					± 5°

For and on behalf of  
**KXB INDUSTRIAL PRECISION CO., LIMITED**  
 香港星坤工業精密有限公司

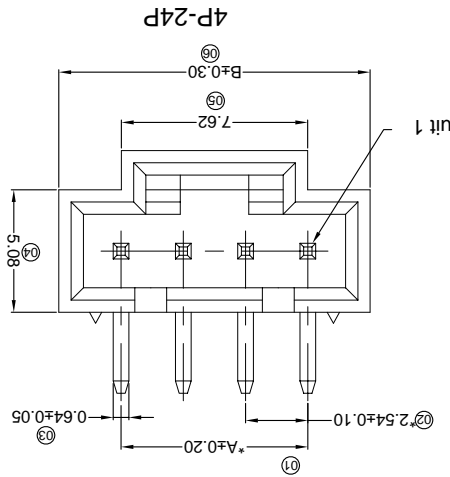
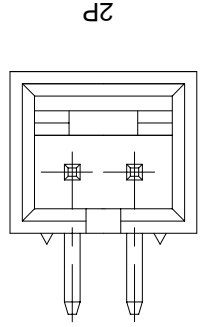
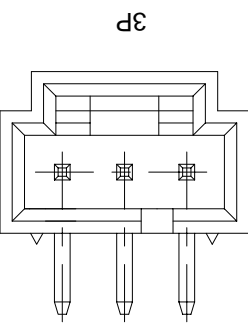
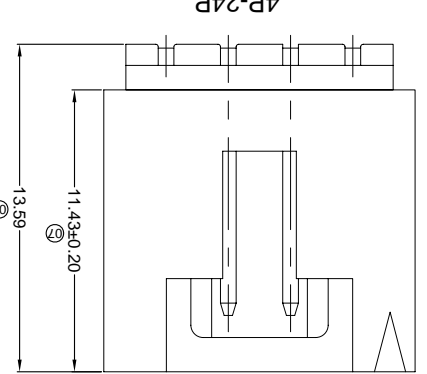
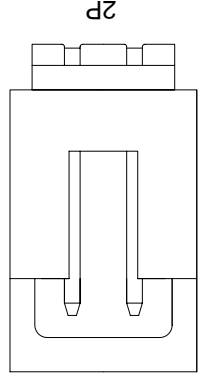
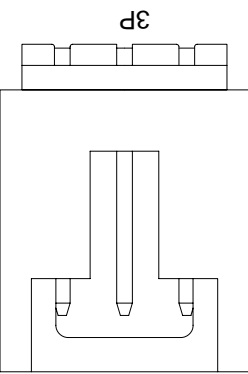
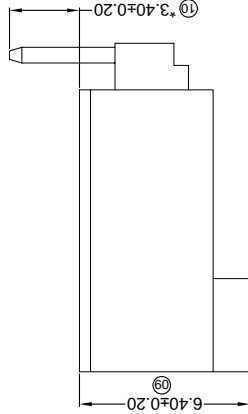
REVISIONS  
 (Unauthorized Signatures)

DSND	DATE	SCALE: N/A	MODEL TYPE: X9556WR-XX-NOV01
DWN	DATE <td>VIEW: </td> <td>PART NO.: 2.54 mm Crimp Style Connectors</td>	VIEW:	PART NO.: 2.54 mm Crimp Style Connectors
CHKD	DATE <td>UNIT: mm</td> <td>DWG NO.:</td>	UNIT: mm	DWG NO.:
APPD	DATE <td>SIZE: A4</td> <td>WEIGHT: 1.0g</td>	SIZE: A4	WEIGHT: 1.0g

PART NO	Material	Material(Pin)	Finish(Pin)	Suitable XKB Terminal
X9556WR-XX-NOV01	Nylon 66 UL 94V-0	Brass	Gold-Flash	X9556H

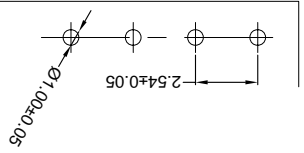
Dimensions (mm)	A	B	2	2.54	7.62	5.08	10.16	12.70	15.24	17.78	20.32	7	15.24	20.32	22.86	8	9	20.32	25.40	10	22.86	27.94	30.48	11	25.40	30.48	12	27.94	33.02	13	30.48	35.56	14	33.02	38.10	15	35.56	40.64	16	38.10	43.18	17	40.64	45.72	18	43.18	48.26	19	45.72	50.80	20	48.26	53.34	21	50.80	55.88	22	53.34	58.42	23	55.88	60.96	24	58.42	63.50
Poles	A	B	2	2.54	7.62	5.08	10.16	12.70	15.24	17.78	20.32	7	15.24	20.32	22.86	8	9	20.32	25.40	10	22.86	27.94	30.48	11	25.40	30.48	12	27.94	33.02	13	30.48	35.56	14	33.02	38.10	15	35.56	40.64	16	38.10	43.18	17	40.64	45.72	18	43.18	48.26	19	45.72	50.80	20	48.26	53.34	21	50.80	55.88	22	53.34	58.42	23	55.88	60.96	24	58.42	63.50

X9556 W R XX-XX X-NOV01 XX  
 ① Series No.  
 ② Category: W-water  
 ③ Welding Board Angle: R-90°  
 ④ Welding Way:  
 Blank-DIP  
 Row No.-Pin No.  
 XX-Single row  
 Special NO.  
 Material:  
 NO-PA66 94V-0  
 Planting Category:  
 V"-All Gold-Plated  
 "01-1u" ; "02-2u" ; "03-3u" ; "05-5u"  
 "10-10u" ; "15-15u" ; "30-30u" ; "50-50u"  
 SN-Bright tin plating 70U"  
 SN1-Bright tin plating 120U"Min.  
 SW-Fog Tin plating  
 Color:  
 Blank-natural color

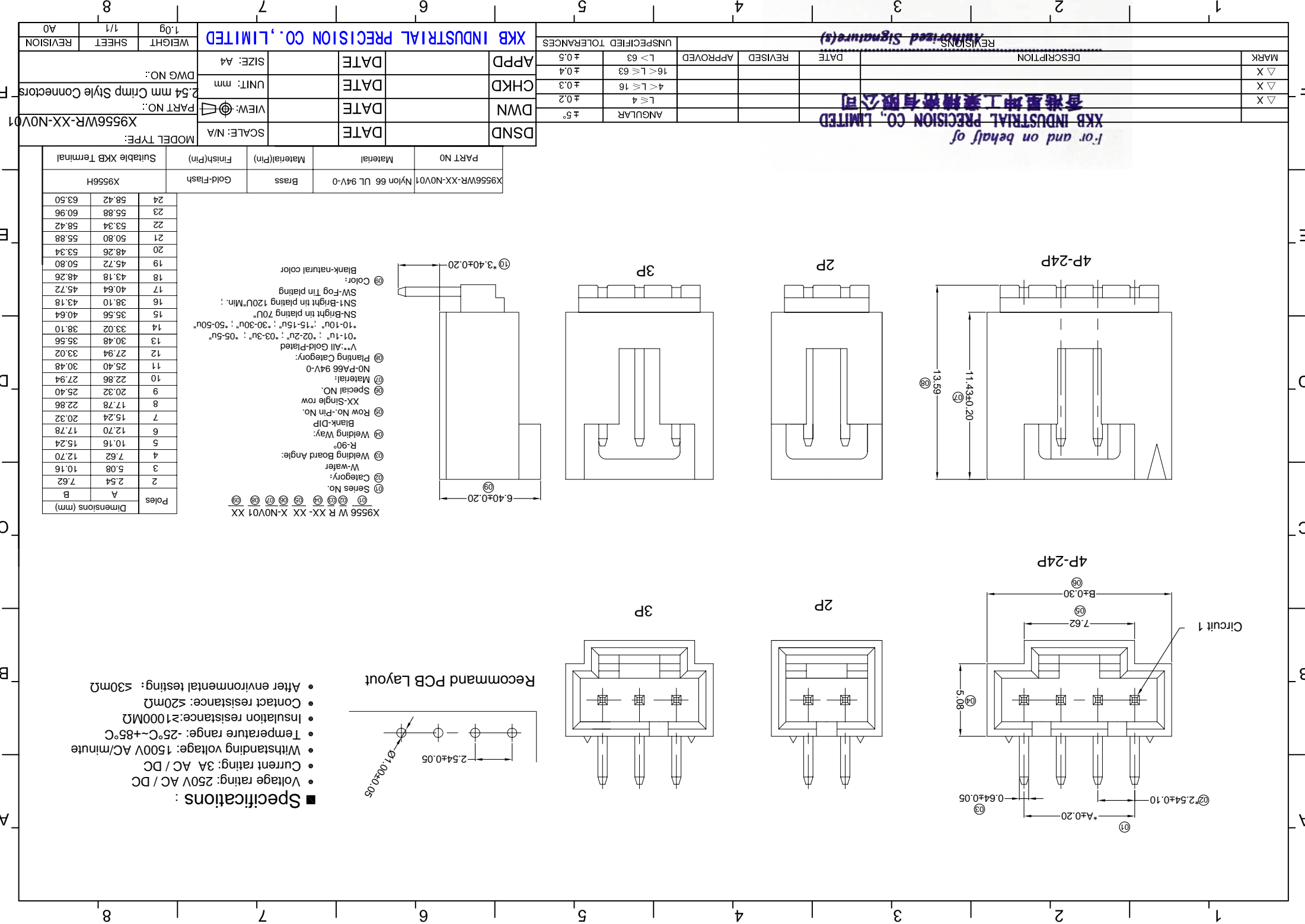


Circuit 1

Recommand PCB Layout



- Specifications :
- Voltage rating: 250V AC / DC
- Current rating: 3A AC / DC
- Withstanding voltage: 1500V AC/minute
- Temperature range: -25°C~+85°C
- Insulation resistance: ≥1000MΩ
- Contact resistance: ≤20mΩ
- After environmental testing: ≤30mΩ



For and on behalf of  
**KXB INDUSTRIAL PRECISION CO., LIMITED**  
 香港星坤工業精密有限公司

REVISIONS  
 (Unauthorized Signatures)

MARK	DESCRIPTION	DATE	REVISED	APPROVED	UNSPECIFIED TOLERANCES
△ X					L > 63 ± 0.5
△ X					16 < L ≤ 63 ± 0.4
△ X					4 < L ≤ 16 ± 0.3
△ X					L ≤ 4 ± 0.2
					ANGULAR ± 5°

REVISION	SHEET	WEIGHT	DATE	DATE	DATE	DATE	DATE	DATE	DATE
A0	1/1	1.0g							

DSND	DWN	CHKD	APPD	SCALE: N/A	VIEW:	UNIT: mm	SIZE: A4

MODEL TYPE:	PART NO.:	DWG NO.:
X9556WR-XXRB-NOV01		

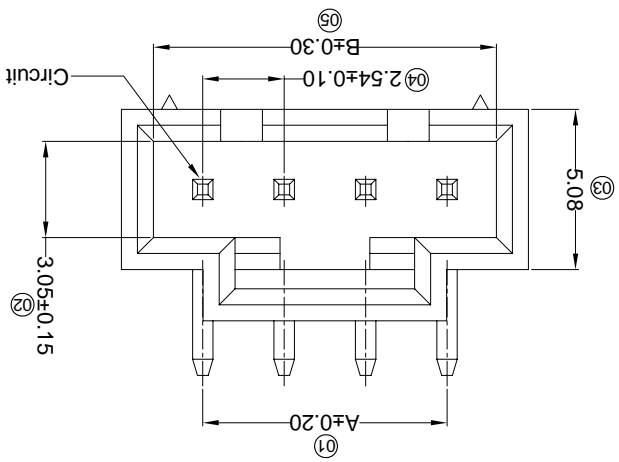
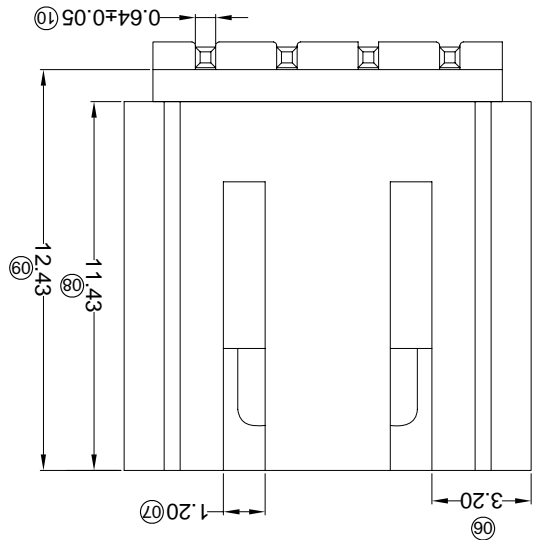
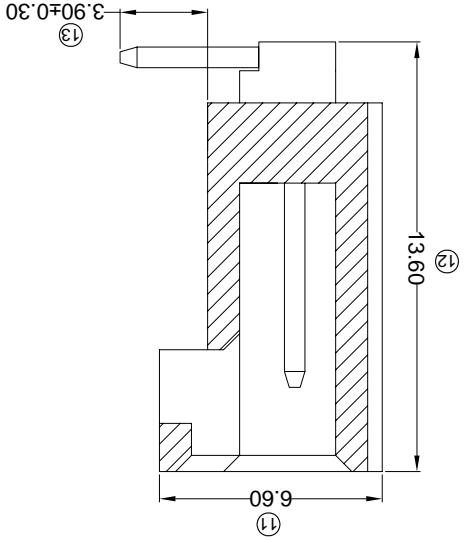
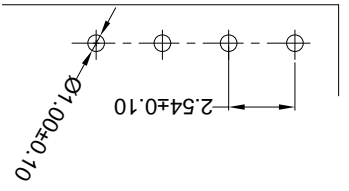
PART NO	Material	Material(Pin)	Finish(Pin)	Suitable XKB Terminal
X9556WR-XXRB-NOV01	Nylon 66 UL 94V-0	Brass	Gold-Flash	X9556H

Poles	A	B
2	2.54	5.59
3	5.08	8.13
4	7.62	10.67
5	10.16	13.21
6	12.70	15.75
7	15.24	18.29
8	17.78	20.83
9	20.32	23.37
10	22.86	25.91
11	25.40	28.45
12	27.94	30.99
13	30.48	33.53
14	33.02	36.07
15	35.56	38.61

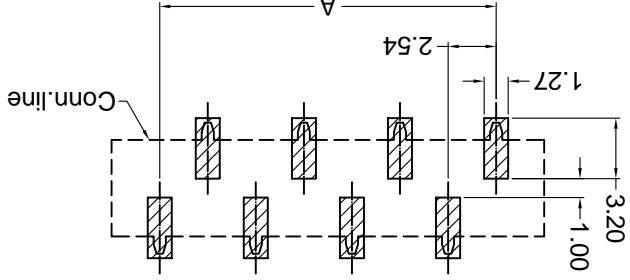
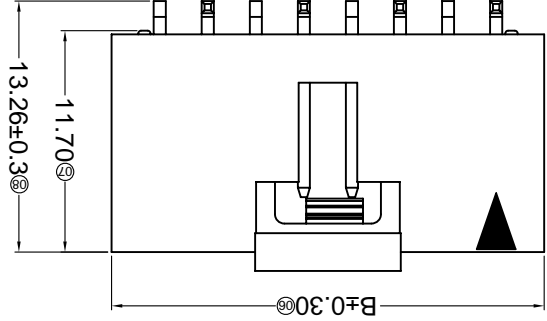
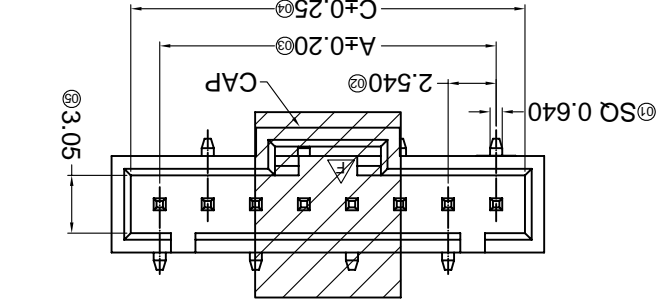
- ① Series No.
- ② Category:
- ③ W-water
- ④ Welding Board Angle:
- ⑤ R-90°
- ⑥ Welding Way:
- ⑦ Blank-DIP
- ⑧ Row No.-Pin No.
- ⑨ XX-Single row
- ⑩ Special NO.
- ⑪ RB-Reverse bending
- ⑫ Material:
- ⑬ NO-PA66 94V-0
- ⑭ Plating Category:
- ⑮ V\*\*All Gold-Plated
- ⑯ \*01-Gold Flash : \*02-2u" ; \*03-3u" ; \*05-5u" ; \*10-10u" ; \*15-15u" ; \*30-30u" ; \*50-50u"
- ⑰ SN-Bright tin plating 70u"
- ⑱ SN-Bright tin plating 120u"Min. ;
- ⑲ SW-Fog Tin plating
- ⑳ Color:
- ㉑ Blank-natural color

- Specifications :
- Voltage rating: 250V AC / DC
  - Current rating: 3A AC / DC
  - Withstanding voltage: 1500V AC/minute
  - Temperature range: -25°C~+85°C
  - Insulation resistance: ≥1000MΩ
  - Contact resistance: ≤20mΩ
  - After environmental testing : ≤30mΩ

Recommend PCB Layout





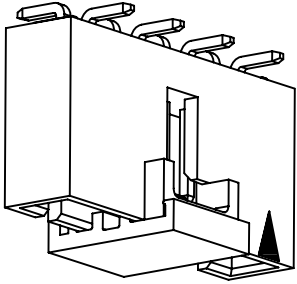
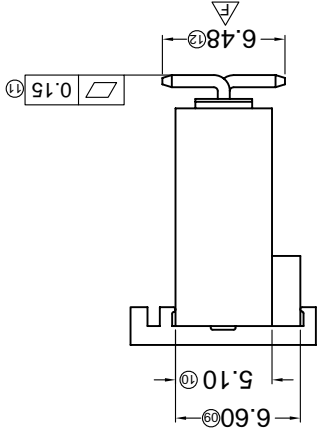


Recommended P.C.B Layout  
General Tolerance±0.05

For and on behalf of  
KKB INDUSTRIAL PRECISION CO., LIMITED  
香港星坤工業精密有限公司

REVISIONS  
Unauthorized Signature(s)

MARK	DESCRIPTION	DATE	REVISD	APPROVED	UNSPECIFIED TOLERANCES
△X					L > 63 ±0.5
△X					16 < L ≤ 63 ±0.4
△X					4 < L ≤ 16 ±0.3
					L ≤ 4 ±0.2
					ANGULAR ±5°



PART NO	Material	Material(Pin)	Finish(Pin)	Suitable XKB Terminal
X9556WVS-XX-4T1V01	PA 4T UL 94V-0	Brass	Gold-Flash	X9556H
X9556WVS-XX-4T5W	PA 4T UL 94V-0	Brass	Matte Tin	X9556H

Poles	Dimensions (mm)			Poles	Dimensions (mm)		
	A	B	C		A	B	C
02	2.54	7.62	5.59	12	27.94	33.02	30.99
03	5.08	10.16	8.13	13	30.48	35.56	33.53
04	7.62	12.70	10.67	14	33.02	38.10	36.07
05	10.16	15.24	13.21	15	35.56	40.64	38.61
06	12.70	17.78	15.75	16	38.10	43.18	41.15
07	15.24	20.32	18.29	17	40.64	45.72	43.69
08	17.78	22.86	20.83	18	43.18	48.26	46.23
09	20.32	25.40	23.37	19	45.72	50.80	48.77
10	22.86	27.94	25.91	20	48.26	53.34	51.31
11	25.40	30.48	28.45				

- ① Series No.
- ② Category: W-WAFER
- ③ Welding Board Angle: V-Straight 180°
- ④ Welding Way: S-SMT
- ⑤ Row No.-Pin No.: XX-02P~20P
- ⑥ Plug the Pin & Special No.:
- ⑦ Material: 4T -PA4T UL 94V-0
- ⑧ Plating Category: V01-Gold Flash
- ⑨ SW-Matte Tin Plating
- ⑩ Color : Blank-Natural Color Black

X9556 W V S-XX X-4T XX XX

- Voltage rating: 250V AC / DC
- Current rating: 3A AC / DC
- Withstanding voltage: 1500V AC/minute
- Temperature range: -40°C~+105°C
- Insulation resistance: ≥1000MΩ
- Contact resistance: ≤20mΩ
- After environmental testing: ≤30mΩ

Specifications :

DSND	DATE	SCALE: N/A	MODEL TYPE: X9556WVS-XX-4TXX
DWN	DATE <td>VIEW: </td> <td>PART NO.:</td>	VIEW:	PART NO.:
CHKD	DATE <td>UNIT: mm</td> <td>DWG NO.:</td>	UNIT: mm	DWG NO.:
APPD	DATE <td>SIZE: A4</td> <td>WEIGHT: 1.0g</td>	SIZE: A4	WEIGHT: 1.0g
			SHEET: 1/1
			REVISION: A0

KKB INDUSTRIAL PRECISION CO., LIMITED

For and on behalf of  
**KXB INDUSTRIAL PRECISION CO., LIMITED**  
 香港星洲工業精密有限公司

MARK	DESCRIPTION	DATE	REVISED	APPROVED	UNSPECIFIED TOLERANCES
△ X					L > 63
△ X					16 < L ≤ 63
△ X					4 < L ≤ 16
△ X					L ≤ 4
					ANGULAR
					± 5°

REVISIONS	DATE	DESCRIPTION
1		

WEIGHT	1.0g
SHEET	1/1
REVISION	A0

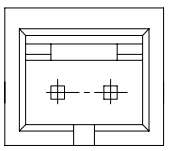
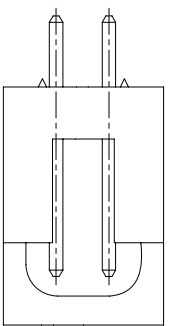
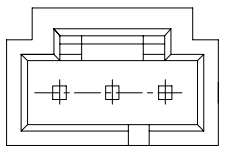
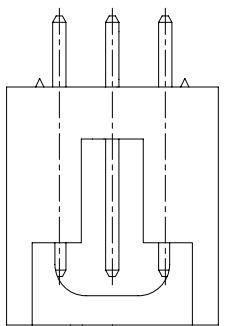
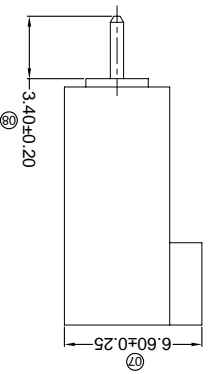
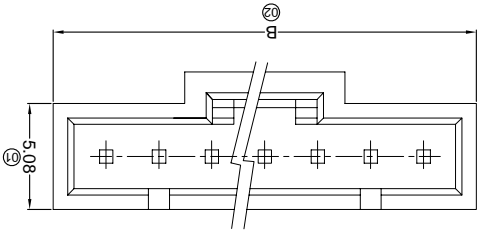
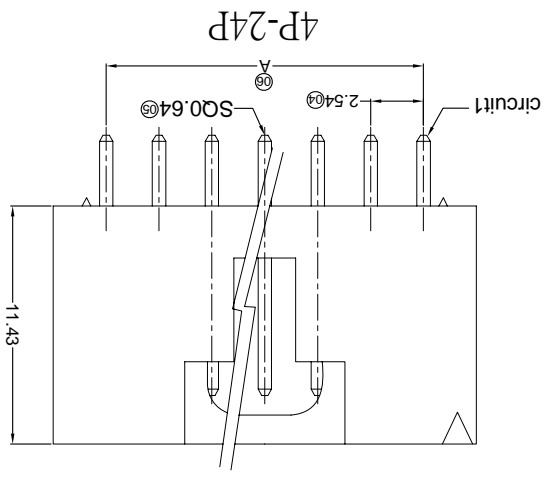
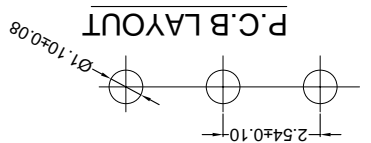
APPD	DATE	SIZE: A4
CHKD	DATE	UNIT: mm
DWN	DATE	VIEW: ①
DSND	DATE	SCALE: N/A

PART NO	Material	Material (Pin)	Finish (Pin)	Suitable XKB Terminal
X9556WV-XX-N0V01	Nylon 66 UL 94V-0	Brass	Gold-Flash	X9556H
X9556WV-XX-N0V15	Nylon 66 UL 94V-0	Brass	Gold-Plated 15u"	

Poles	Dimensions (mm)
A	2.54
B	7.62
C	10.16
D	12.70
E	15.24
F	17.78
G	20.32
H	22.86
I	25.40
J	27.94
K	30.48
L	33.02
M	35.56
N	38.10
O	40.64
P	43.18
Q	45.72
R	48.26
S	50.80
T	53.34
U	55.88
V	58.42
W	60.96
X	63.50

- ① Series No.
- ② Category: W-water
- ③ Welding Board Angle: V-180°
- ④ Welding Way: Blank-DIP
- ⑤ Row No.-Pin No.
- ⑥ XX-Single row
- ⑦ Special NO.
- ⑧ Material: N0-PA66 94V-0
- ⑨ Plating Category: V\*\*All Gold-Plated
- \*01-Gold Flash : \*02-2u" ; \*03-3u" ; \*05-5u"
- \*10-10u" ; \*15-15u" ; \*30-30u" ; \*50-50u"
- SN-Bright tin plating 70u"
- SN1-Bright tin plating 120u"Min. ;
- SW-Fog Tin plating
- ⑩ Color: Blank-natural color

- Specifications :
- Voltage rating: 250V AC / DC
- Current rating: 3A AC / DC
- Withstanding voltage: 1500V AC/minute
- Temperature range: -25°C~+85°C
- Insulation resistance: ≥1000MΩ
- Contact resistance: ≤20mΩ
- After environmental testing: ≤30mΩ



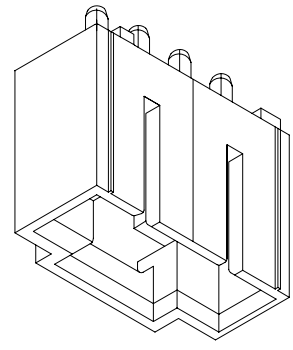
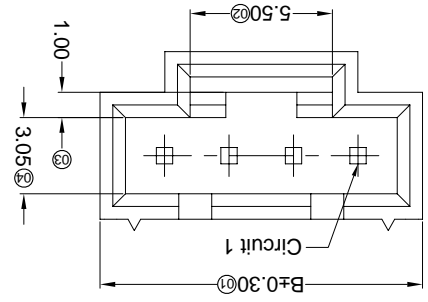
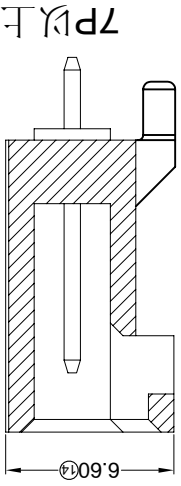
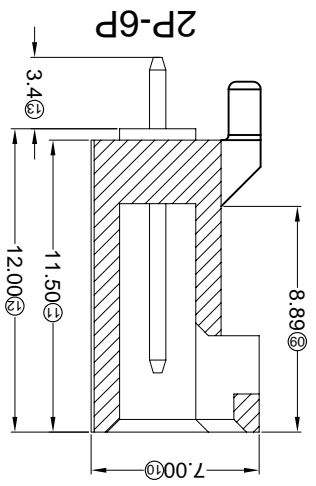
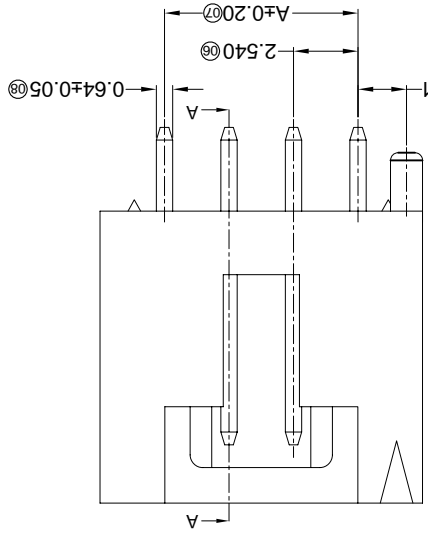
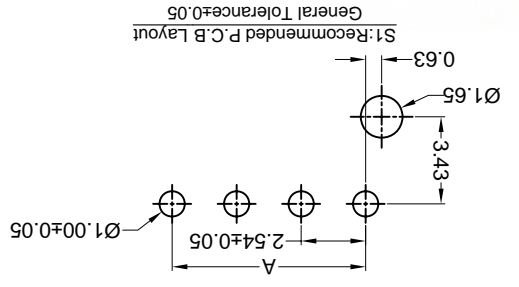
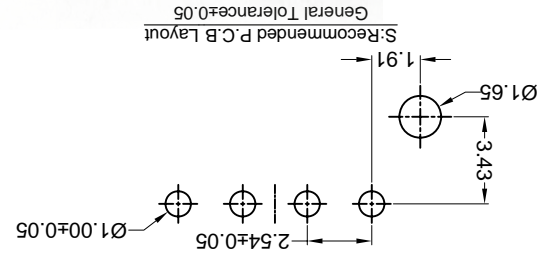


For and on behalf of  
**KXB INDUSTRIAL PRECISION CO., LIMITED**  
 香港星坤工業精密有限公司

REVISIONS  
 (Unauthorized Signature(s))

MARK	DESCRIPTION	DATE	REVISED	APPROVED	UNSPECIFIED TOLERANCES
△ X					L > 63 ± 0.5
△ X					16 < L ≤ 63 ± 0.4
△ X					4 < L ≤ 16 ± 0.3
					L ≤ 4 ± 0.2
					ANGULAR ± 5°

DSND	DATE	SCALE: N/A	MODEL TYPE: X9556WV-XXSX-LP01
DWN	DATE	VIEW:	PART NO.:
CHKD	DATE	UNIT: mm	DWG NO.:
APPD	DATE	SIZE: A4	REVISION
			WEIGHT 1.0g
			SHEET 1/1
			REVISION A0



SECTION A-A  
 SCALE 1 : 1

PART NO	Material	Material(Pin)	Finish(Pin)	Suitable XKB Terminal
X9556WV-XXSX-LP01	LCP UL 94V-0	Brass	Gold-Flash	X9556H

Poles	Dimensions (mm)			
	A	B	A	B
2	2.54	7.62	3.02	38.10
3	5.08	10.16	3.56	40.64
4	7.62	12.70	3.81	43.18
5	10.16	15.24	4.06	45.72
6	12.70	17.78	4.31	48.26
7	15.24	20.32	4.57	50.80
8	17.78	22.86	4.82	53.34
9	20.32	25.40	5.08	55.88
10	22.86	27.94	5.33	58.42
11	25.40	30.48	5.58	60.96
12	27.94	33.02	5.82	63.50
13	30.48	35.56		

- ① Series No. X9556 W V X-XX SX-LP XXX XX  
 ② Category: W-water  
 ③ Welding Board Angle: V- Straight 180°  
 ④ Welding Way: Blank-DIP  
 ⑤ Row No.-Pin No.: XX-02P~24P  
 ⑥ Plug the Pin & Special No.:  
 S-With Post,distance Pin 1.91mm;  
 S1-With Post ,distance Pin 0.63mm;  
 ⑦ Material: LP-LCP 94V-0;  
 ⑧ Plating Category: V01-Gold Flash;  
 ⑨ Color: Blank-Natural Color

- Specifications :  
 • Voltage rating: 250V AC / DC  
 • Current rating: 3A AC / DC  
 • Withstanding voltage: 1500V AC/minute  
 • Temperature range: -25°C~+85°C  
 • Insulation resistance: ≥1000MΩ  
 • Contact resistance: ≤20mΩ  
 • After environmental testing: ≤30mΩ



## X-ON Electronics

Largest Supplier of Electrical and Electronic Components

*Click to view similar products for [Headers & Wire Housings](#) category:*

*Click to view products by [XKB](#) manufacturer:*

Other Similar products are found below :

[95000-104TRLF](#) [10135584-644402LF](#) [DF62W-EP2022PCA](#) [95000-106TRLF](#) [DF62W-2022SCA](#) [DF62W-EP2022PC](#) [2203348](#) [DF62W-2022SC](#) [1084018](#) [1029039](#) [1084017](#) [802-10-012-10-002000](#) [1112640](#) [1112639](#) [891-007-9SS-BST1T](#) [000-34000](#) [0008550134](#) [0009482033](#) [0009507031](#) [57102-F02-18ULF](#) [57102-S06-03LF](#) [57202-S52-04LF](#) [PCN6-15S-2.5E](#) [0039019024](#) [58102-G61-06LF](#) [582553-1](#) [0009485154](#) [0009508121](#) [0022285053](#) [0050291907](#) [018731A](#) [LY20-4P-DT1-P1E-BR](#) [02.125.8002.8](#) [60101931](#) [60598-1 \(Cut Strip\)](#) [M1625-3R/100](#) [61062-3](#) [61082-181009](#) [CSU011177004](#) [636-1427](#) [638009-1](#) [641938-9](#) [641991-4](#) [644168-1](#) [644827-2](#) [647662-1](#) [65039-019ELF](#) [65692-001LF](#) [65781-018](#) [65781-047](#)