

X9556 H F-02 L-N0 XX  
 ① ② ③ ④ ⑤ ⑥ ⑦

- ① Series No.
- ② Category: H-HSG
- ③ Welding Board Angle: F-Female HGS
- ④ Row No.-Pin No.: XX-Single row
- ⑤ special No.
- ⑥ Material: N0-PA66 94V-0
- ⑦ Color: Blank-Natural Color

- Specifications :
- Voltage rating: 250V AC / DC
  - Current rating: 3A AC / DC
  - Withstanding voltage: 1500V AC/minute
  - Temperature range: -25°C~+85°C
  - Insulation resistance: ≥1000MΩ
  - Contact resistance: ≤20mΩ
  - After environmental testing : ≤30mΩ

Poles		A		B		C	
2	2.54	5.08	7.62	10.16	12.70	15.24	17.78
3	5.08	7.62	10.16	12.70	15.24	17.78	20.32
4	7.62	10.16	12.70	15.24	17.78	20.32	22.86
5	10.16	12.70	15.24	17.78	20.32	22.86	25.40
6	12.70	15.24	17.78	20.32	22.86	25.40	27.94
7	15.24	17.78	20.32	22.86	25.40	27.94	30.48
8	17.78	20.32	22.86	25.40	27.94	30.48	33.02
9	20.32	22.86	25.40	27.94	30.48	33.02	35.56
10	22.86	25.40	27.94	30.48	33.02	35.56	38.10
11	25.40	27.94	30.48	33.02	35.56	38.10	40.64
12	27.94	30.48	33.02	35.56	38.10	40.64	43.18
13	30.48	33.02	35.56	38.10	40.64	43.18	45.72
14	33.02	35.56	38.10	40.64	43.18	45.72	48.26
15	35.56	38.10	40.64	43.18	45.72	48.26	50.80
16	38.10	40.64	43.18	45.72	48.26	50.80	53.34
17	40.64	43.18	45.72	48.26	50.80	53.34	55.88
18	43.18	45.72	48.26	50.80	53.34	55.88	58.42
19	45.72	48.26	50.80	53.34	55.88	58.42	60.96
20	48.26	50.80	53.34	55.88	58.42	60.96	63.50

PART NO	Material	Suitable XKB Terminal	Suitable XKB Terminal
X9556HF-02L-N0	PA66 UL 94V-0	X9556TM	X9556HM-L

DMSD		DATE	SCALE: N/A	MODEL TYPE: X9556HF-02L-N0
DWN	DATE <td>VIEW: </td> <td>PART NO.:</td> <td>2.54 mm Crimp Style Connectors</td>	VIEW:	PART NO.:	2.54 mm Crimp Style Connectors
CHKD	DATE <td>UNIT: mm</td> <td>DWG NO.:</td> <td></td>	UNIT: mm	DWG NO.:	
APPD	DATE <td>SIZE: A4</td> <td>REVISION</td> <td>A0</td>	SIZE: A4	REVISION	A0

For and on behalf of  
 XKB INDUSTRIAL PRECISION CO., LIMITED  
 香港星坤工業精密有限公司

MARK	DESCRIPTION	DATE	REVISED	APPROVED	UNSPECIFIED TOLERANCES
△ X					L > 63 ± 0.5
△ X					16 < L ≤ 63 ± 0.4
△ X					4 < L ≤ 16 ± 0.3
△ X					L ≤ 4 ± 0.2
					ANGULAR ± 5°

XKB INDUSTRIAL PRECISION CO., LIMITED

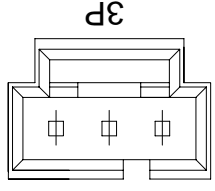
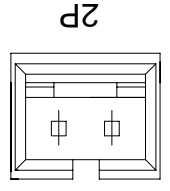
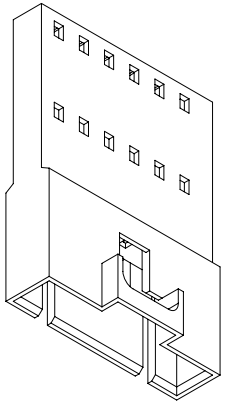
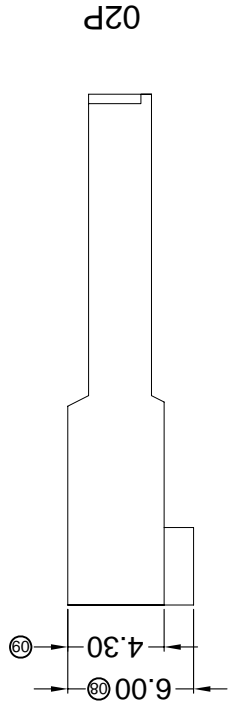
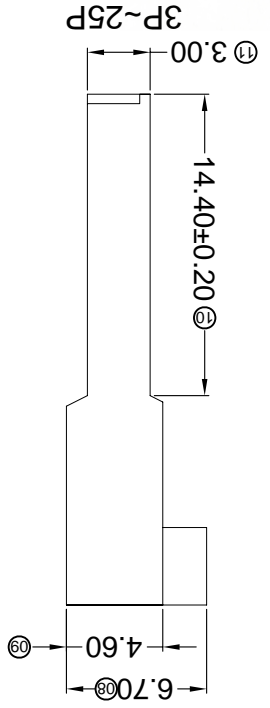
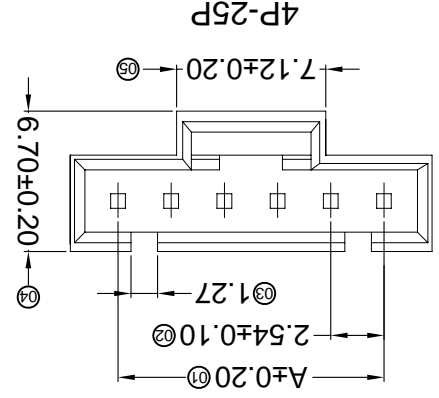
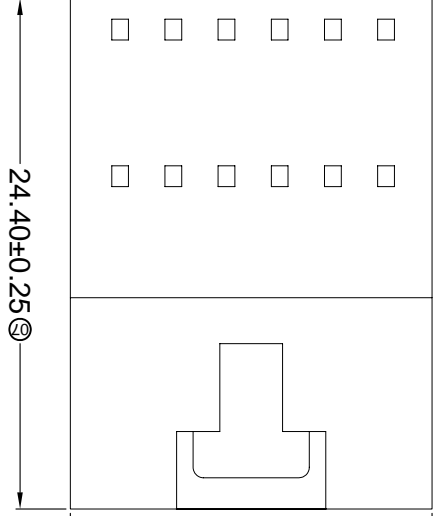
REVISIONS  
 Authorized Signature(s)

For and on behalf of  
**KXB INDUSTRIAL PRECISION CO., LIMITED**  
 香港星坤工業精密有限公司

MARK	DESCRIPTION	DATE	REVISED	APPROVED	UNSPECIFIED TOLERANCES
△ X					± 0.5
△ X					L > 63 16 < L ≤ 63 ± 0.4
△ X					4 < L ≤ 16 ± 0.3
					L ≤ 4 ± 0.2
					ANGULAR ± 5°

REVISIONS	DATE	REVISED	APPROVED	UNSPECIFIED TOLERANCES
				UNSPECIFIED TOLERANCES

REVISION	SHEET	WEIGHT	1.0g
A0	1/1		



PART NO	Material	Suitable XKB Terminal	
		Suitable XKB Terminal	Suitable XKB Terminal
X9556HF-XX-PT	PBT UL 94V-0	X9556TM	X9556H

Poles	Dimensions (mm)		Poles	Dimensions (mm)	
	A	B		A	B
02	2.54	7.12	10	22.86	27.44
03	5.08	9.66	11	25.40	29.98
04	7.62	12.20	12	27.94	32.52
05	10.16	14.74	13	30.48	35.06
06	12.70	17.28	14	33.02	37.60
07	15.24	19.82	15	35.56	40.14
08	17.78	22.36	16	38.10	42.68
09	20.32	24.90	17	40.64	45.22

- ① Series No.
- ② Category: H-HSG
- ③ Welding Board Angle: F-Female HGS
- ④ Row No.-Pin No.: XX-Single row
- ⑤ Special No.
- ⑥ Material: PT-PBT 94V-0
- ⑦ Color: Blank-Natural Color

- Specifications :**
- Voltage rating: 250V AC / DC
  - Current rating: 3A AC / DC
  - Withstanding voltage: 1500V AC/minute
  - Temperature range: -25°C~+85°C
  - Insulation resistance: ≥1000MΩ
  - Contact resistance: ≤20mΩ
  - After environmental testing: ≤30mΩ

X9556 H F-XX X-PT XX

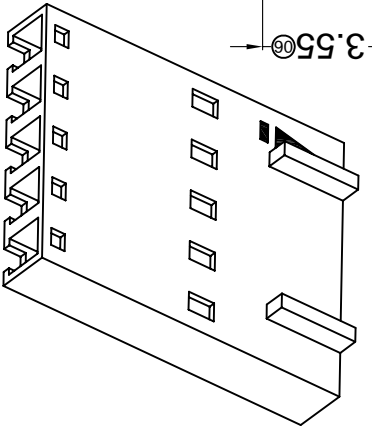
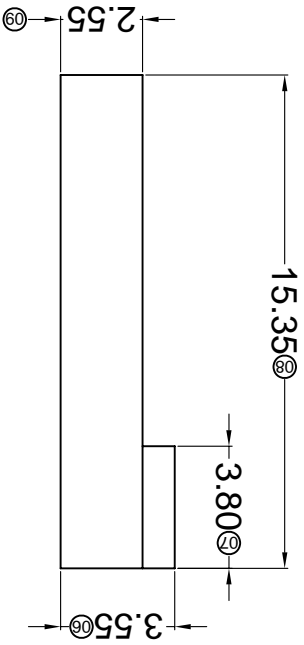
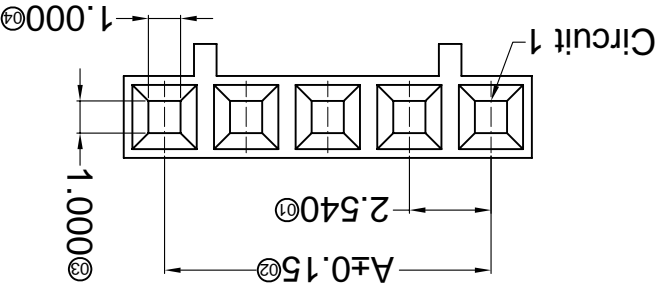
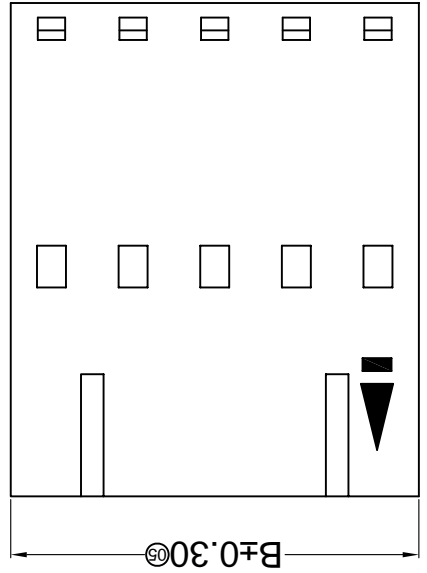
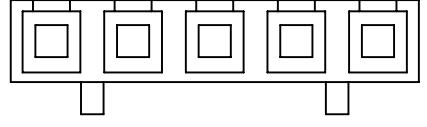
- ①
- ②
- ③
- ④
- ⑤
- ⑥
- ⑦

For and on behalf of  
**KKB INDUSTRIAL PRECISION CO., LIMITED**  
 香港星坤工業精密有限公司

REVISIONS  
 Authorized Signature(s)

MARK	DESCRIPTION	DATE	REVISED	APPROVED	UNSPECIFIED TOLERANCES
△ X					L > 63 ± 0.5
△ X					16 < L ≤ 63 ± 0.4
△ X					4 < L ≤ 16 ± 0.3
					L ≤ 4 ± 0.2
					ANGULAR ± 5°

DSND	DATE	SCALE: N/A	MODEL TYPE: X9556H-XXA-N0
DWN	DATE <td>VIEW: </td> <td>PART NO.: X9556H-XXA-N0</td>	VIEW:	PART NO.: X9556H-XXA-N0
CHKD	DATE <td>UNIT: mm</td> <td>DWG NO.:</td>	UNIT: mm	DWG NO.:
APPD	DATE <td>SIZE: A4</td> <td>REVISION</td>	SIZE: A4	REVISION



PART NO	Material	Suitable XKB Terminal	Suitable XKB Terminal
X9556H-XXA-N0	PA66 UL 94V-0	X9556T	X9566W

Poles	Dimensions (mm)	
	A	B
02	2.54	5.08
03	5.08	7.62
04	7.62	10.16
05	10.16	12.70
06	12.70	15.24
07	15.24	17.78
08	17.78	20.32

- ① Series No.
- ② Category: H-HSG
- ③ Appearance type: Blank-Ordinary
- ④ Row No.-Pin No.: XX-02P-15P
- ⑤ Plug the Pin & special No.:
- ⑥ A-There are convex point
- ⑦ Material: NO-PA66 UL 94V-0
- ⑧ Color: Blank-Natural Color

X9556 H X-XX A-N0 XX  
 ① ② ③ ④ ⑤ ⑥ ⑦

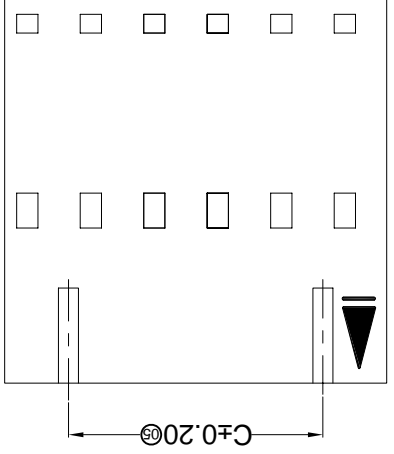
- Specifications :
- Voltage rating: 250V AC / DC
  - Current rating: 3A AC / DC
  - Withstanding voltage: 1500V AC/minute
  - Temperature range: -25°C~+85°C
  - Insulation resistance: ≥1000MΩ
  - Contact resistance: ≤20mΩ
  - After environmental testing: ≤30mΩ

For and on behalf of  
**KKB INDUSTRIAL PRECISION CO., LIMITED**  
 香港星洲工業精密有限公司

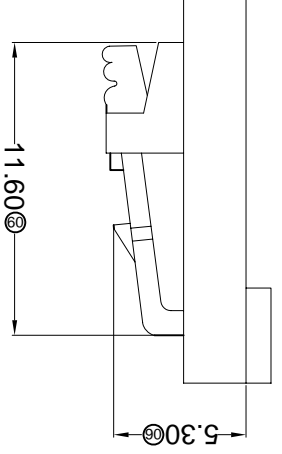
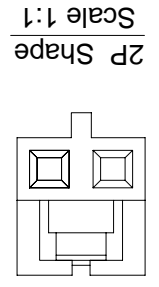
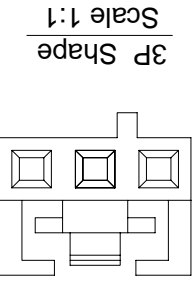
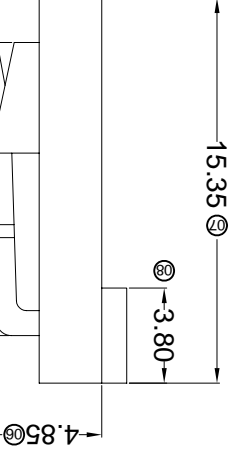
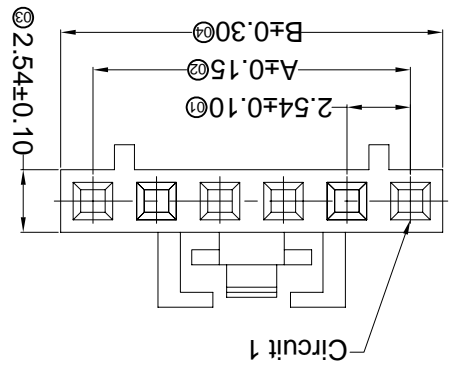
REVISIONS  
 Authorized Signature(s)

MARK	DESCRIPTION	DATE	REVISED	APPROVED	UNSPECIFIED TOLERANCES
△ X					± 5°
△ X					ANGULAR
△ X					± 0.2
					≤ 4
					± 0.3
					4 < L ≤ 16
					± 0.4
					16 < L ≤ 63
					L > 63
					± 0.5

DSND	DATE	SCALE: N/A	MODEL TYPE: X9556H-XXB-N0XX
DWN	DATE <td>VIEW: </td> <td>PART NO.: </td>	VIEW:	PART NO.:
CHKD	DATE <td>UNIT: mm</td> <td>DWG NO.:</td>	UNIT: mm	DWG NO.:
APPD	DATE <td>SIZE: A4</td> <td></td>	SIZE: A4	
		WEIGHT 1.0g	REVISION A0
		SHEET 1/1	



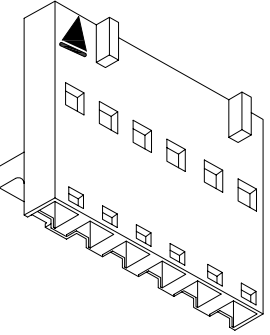
4P~20P Shape  
 Scale 1:1



PART NO	Material	Suitable XkB Terminal
X9556H-XXB-N0HF	Nylon 66 UL 94V-0 Halogen Free	X9556T
X9556H-XXB-N0	Nylon 66 UL 94V-0	Suitable XkB Terminal

Poles	Dimensions(mm)		
	A	B	C
02	2.54	5.08	--
03	5.08	7.62	--
04	7.62	10.16	5.08
05	10.16	12.70	7.62
06	12.70	15.24	10.16
07	15.24	17.78	12.70
08	17.78	20.32	15.24
09	20.32	22.86	17.78
10	22.86	25.40	20.32
11	25.40	27.94	22.86

- Specifications :
- Voltage rating: 250V AC / DC
  - Current rating: 3A AC / DC
  - Withstanding voltage: 1500V AC/minute
  - Temperature range: -25°C~+85°C
  - Insulation resistance: ≥1000MΩ
  - Contact resistance: ≤20mΩ
  - After environmental testing: ≤30mΩ
- X9556 H X-XX B-N0 XX
- ① ② ③ ④ ⑤ ⑥ ⑦
  - ⑧ Series No.
  - ⑨ Category: H-HSG
  - ⑩ Welding Board Angle: Blank-ordinary
  - ⑪ Row No.-Pin No.:XX-Single row
  - ⑫ Special No.
  - ⑬ B-There are convex point and the buckle
  - ⑭ Material: N0-PA66 94V-0
  - ⑮ Color:
  - ⑯ Blank-Natural Color
  - ⑰ HF-Halogen free



For and on behalf of  
**KXB INDUSTRIAL PRECISION CO., LIMITED**  
 香港星坤工業精密有限公司

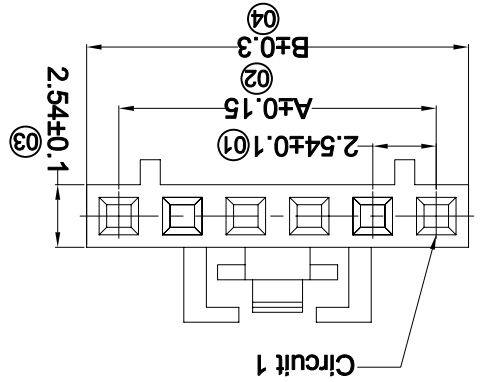
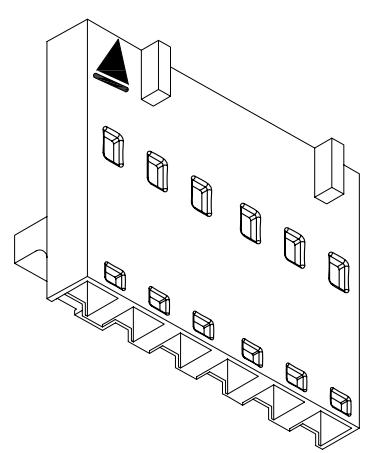
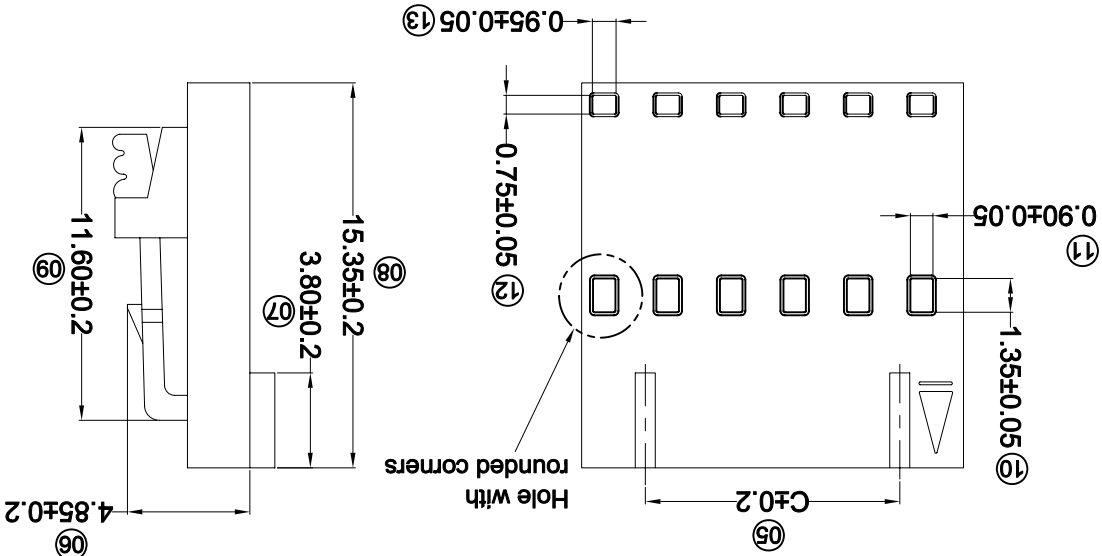
MARK	DESCRIPTION	DATE	REVISD	APPROVED	UNSPECIFIED TOLERANCES
△ X					L > 63 ± 0.5
△ X					16 < L ≤ 63 ± 0.4
△ X					4 < L ≤ 16 ± 0.3
					L ≤ 4 ± 0.2
					ANGULAR ± 5°

REVISIONS	APPROVED	DATE	REVISD	APPROVED	UNSPECIFIED TOLERANCES
					L > 63 ± 0.5
					16 < L ≤ 63 ± 0.4
					4 < L ≤ 16 ± 0.3
					L ≤ 4 ± 0.2
					ANGULAR ± 5°

MARK	DESCRIPTION	DATE	REVISD	APPROVED	UNSPECIFIED TOLERANCES
△ X					L > 63 ± 0.5
△ X					16 < L ≤ 63 ± 0.4
△ X					4 < L ≤ 16 ± 0.3
					L ≤ 4 ± 0.2
					ANGULAR ± 5°

MARK	DESCRIPTION	DATE	REVISD	APPROVED	UNSPECIFIED TOLERANCES
△ X					L > 63 ± 0.5
△ X					16 < L ≤ 63 ± 0.4
△ X					4 < L ≤ 16 ± 0.3
					L ≤ 4 ± 0.2
					ANGULAR ± 5°

MARK	DESCRIPTION	DATE	REVISD	APPROVED	UNSPECIFIED TOLERANCES
△ X					L > 63 ± 0.5
△ X					16 < L ≤ 63 ± 0.4
△ X					4 < L ≤ 16 ± 0.3
					L ≤ 4 ± 0.2
					ANGULAR ± 5°



**X9556 H X-XX C-N0 XX**

- ① Series No.
- ② Category:
- ③ H-HSG
- ④ Welding Board Angle:
- ⑤ Blank-ordinary
- ⑥ Row No.-Pin No.:
- ⑦ XX-Single row
- ⑧ special No.
- ⑨ C-Hole with rounded corners
- ⑩ Material:
- ⑪ Color:
- ⑫ Blank-Natural Color
- ⑬ HF-Halogen free

- ⑭ Material: Nylon 66 UL 94V-0
- ⑮ Material: Nylon 66 UL 94V-0
- ⑯ Halogen Free
- ⑰ Part No.: X9556H-XXC-N0
- ⑱ Part No.: X9556H-XXC-N0XX

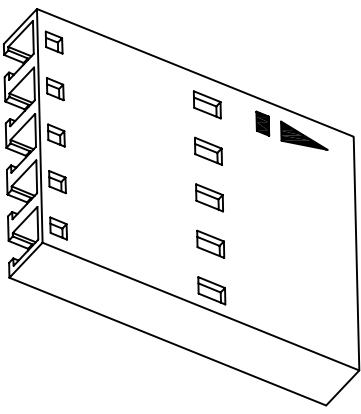
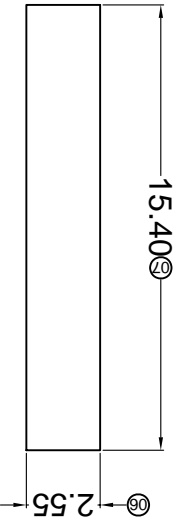
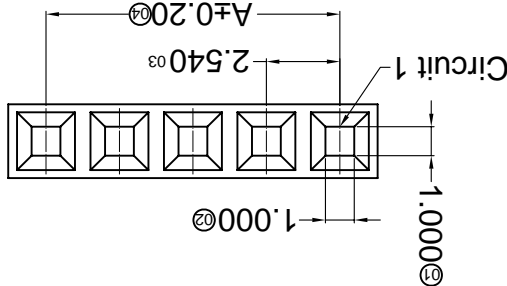
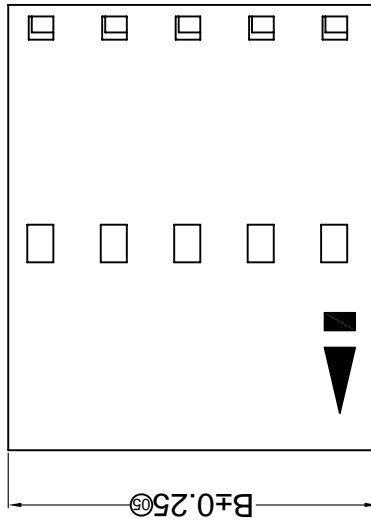
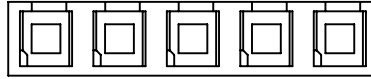
Poles	A	B	C
20	48.26	50.80	45.72
19	45.72	48.26	43.18
18	43.18	45.72	40.64
17	40.64	43.18	38.10
16	38.10	40.64	35.56
15	35.56	38.10	33.02
14	33.02	35.56	30.48
13	30.48	33.02	27.94
12	27.94	30.48	25.40
11	25.40	27.94	22.86
10	22.86	25.40	20.32
9	20.32	22.86	17.78
8	17.78	20.32	15.24
7	15.24	17.78	12.70
6	12.70	15.24	10.16
5	10.16	12.70	7.62
4	7.62	10.16	5.08
3	5.08	7.62	2.54
2	2.54	5.08	-

- Specifications :
- Voltage rating: 250V AC / DC
- Current rating: 3A AC / DC
- Withstanding voltage: 1500V AC/minute
- Temperature range: -25°C~+85°C
- Insulation resistance: ≥1000MΩ
- Contact resistance: ≤20mΩ
- After environmental testing: ≤30mΩ

For and on behalf of  
**KXB INDUSTRIAL PRECISION CO., LIMITED**  
 香港星坤工業精密有限公司  
 REMISIONS  
 Authorized Signature(s)

MARK	DESCRIPTION	DATE	REVISD	APPROVED	UNSPECIFIED TOLERANCES
△X					±.5° ANGULAR
△X					±.2 L ≤ 4
△X					±.3 4 < L ≤ 16
					±0.4 16 < L ≤ 63
					L > 63 ±.5

REVISION	SHEET	WEIGHT	KXB INDUSTRIAL PRECISION CO., LIMITED			
A0	1/1	1.0g	DATE	SCALE: N/A	MODEL TYPE: X9556H-XX-N0	PART NO.: X9556H-XX-N0
			DATE	VIEW:	UNIT: mm	DWG NO.:
			DATE	SIZE: A4		



Poles	Dimensions (mm)	
	A	B
02	2.54	5.15
03	5.08	7.69
04	7.62	10.23
05	10.16	12.77
06	12.70	15.31
07	15.24	17.85
08	17.78	20.39
Dimensions (mm)		Poles
A	B	
22.93	20.32	09
25.47	22.86	10
28.01	25.40	11
30.55	27.94	12
33.09	30.48	13
35.63	33.02	14
38.17	35.56	15

PART NO	Material	Suitable XKB Terminal	Suitable XKB Terminal
X9556H-XX-N0	PA66 UL 94V-0	X9556T	X9556W

- ① Series No.
- ② Category: H-HSG
- ③ Appearance type: Blank-Ordinary
- ④ Row No.-Pin No.: XX-02P~15P
- ⑤ Plug the Pin & special No.:
- ⑥ Material: NO-PA66 UL 94V-0
- ⑦ Color: Blank-Natural Color

X9556 H X-XX X-N0 XX  
 ① ② ③ ④ ⑤ ⑥ ⑦

- Specifications :
- Voltage rating: 250V AC / DC
- Current rating: 3A AC / DC
- Withstanding voltage: 1500V AC/minute
- Temperature range: -25°C~+85°C
- Insulation resistance: ≥1000MΩ
- Contact resistance: ≤20mΩ
- After environmental testing: ≤30mΩ

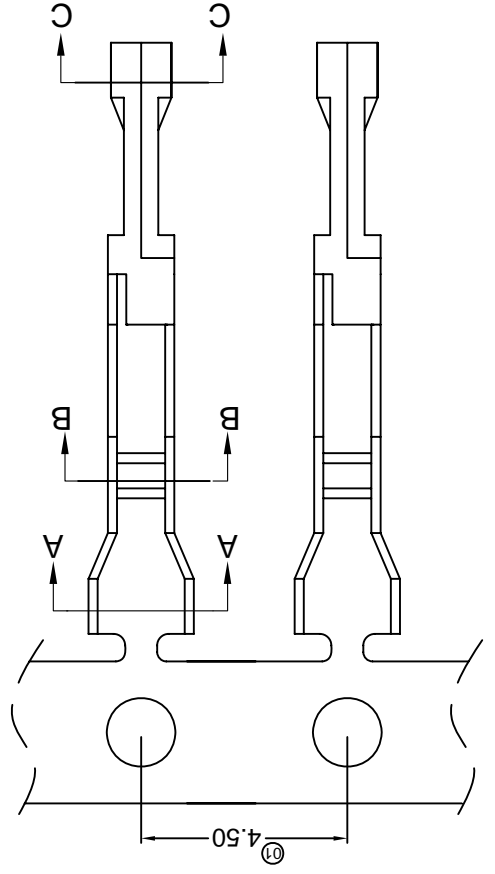
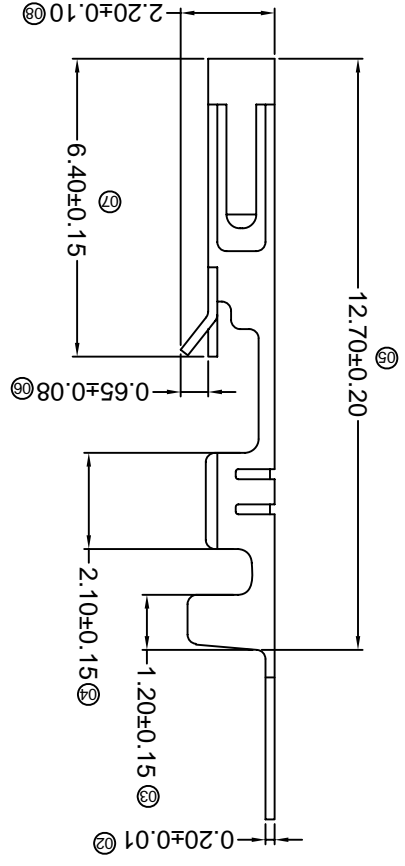
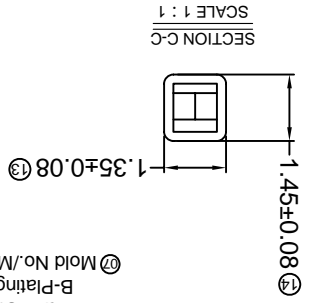
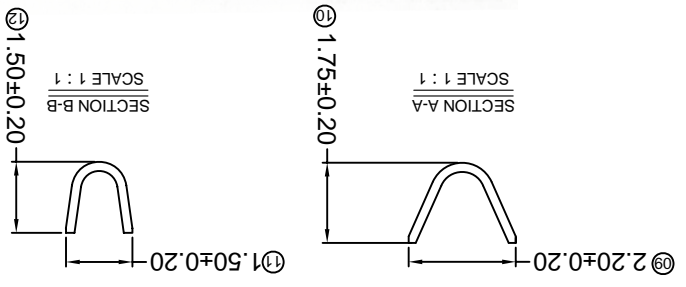




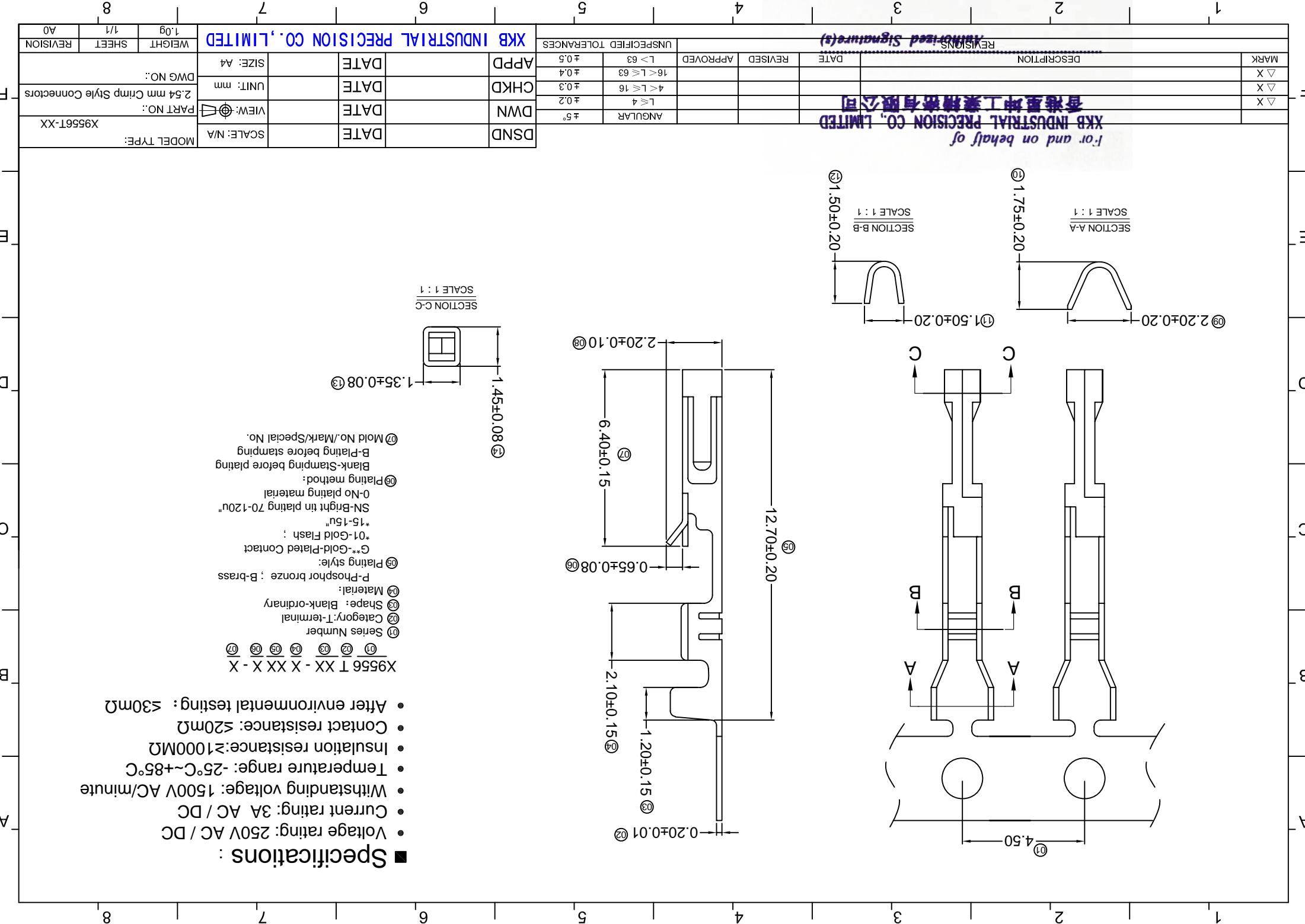
For and on behalf of  
**XKB INDUSTRIAL PRECISION CO., LIMITED**  
 香港星坤工業精密有限公司

MARK	DESCRIPTION	DATE	REVISED	APPROVED	UNSPECIFIED TOLERANCES
△ X					L > 63 ± 0.5
△ X					16 < L ≤ 63 ± 0.4
△ X					4 < L ≤ 16 ± 0.3
					L ≤ 4 ± 0.2
					ANGULAR ± 5°

REVISION	SHEET	WEIGHT	WATERMARK	DATE	DATE	DATE	DATE	DATE	DATE	DATE
A0	1/1	1.0g	XKB INDUSTRIAL PRECISION CO., LIMITED							



- Specifications :**
- Voltage rating: 250V AC / DC
  - Current rating: 3A AC / DC
  - Withstanding voltage: 1500V AC/minute
  - Temperature range: -25°C~+85°C
  - Insulation resistance: ≥1000MΩ
  - Contact resistance: ≤20mΩ
  - After environmental testing : ≤30mΩ
- X9556 T XX - X XX X - X
- ① Series Number
  - ② Category: T-terminal
  - ③ Shape: Blank-ordinary
  - ④ Material: P-Phosphor bronze ; B-brass
  - ⑤ Plating style: G\*\*-Gold-Plated Contact
  - ⑥ \*01-Gold Flash ;
  - ⑦ \*15-15u"
  - ⑧ SN-Bright tin plating 70-120u"
  - ⑨ 0-No plating material
  - ⑩ Plating method: Blank-Stamping before plating
  - ⑪ B-Plating before stamping
  - ⑫ Mold No./Mark/Special No.



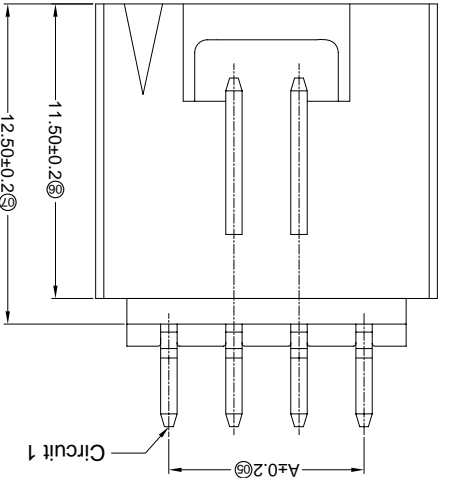


**For and on behalf of**  
**XKB INDUSTRIAL PRECISION CO., LIMITED**  
 香港星洲工業精密有限公司

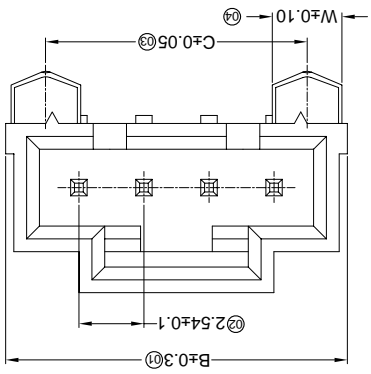
MARK	DESCRIPTION	DATE	REVISED	APPROVED	UNSPECIFIED TOLERANCES
△ X					L > 63 ± 0.5
△ X					16 < L ≤ 63 ± 0.4
△ X					4 < L ≤ 16 ± 0.3
					L ≤ 4 ± 0.2
					ANGULAR ± 5°

REVISIONS	XKB INDUSTRIAL PRECISION CO., LIMITED	
REVISION	WEIGHT	1.0g
SHEET		1/1
A0		

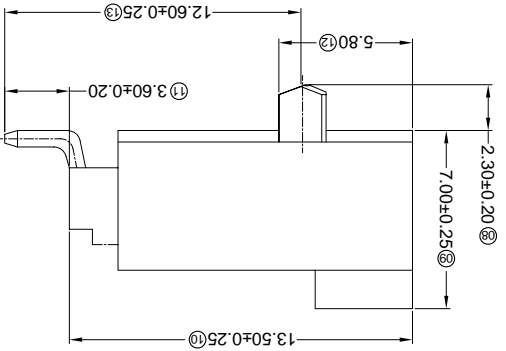
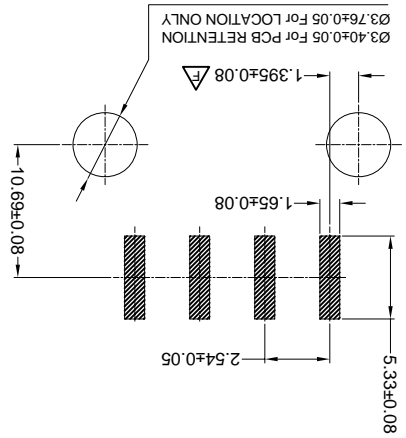
DSND	DATE	SCALE: N/A	MODEL TYPE: X9556WRS-XXX-XXXXX
DWN	DATE <td>VIEW: </td> <td>PART NO.: 2.54 mm Crimp Style Connectors</td>	VIEW:	PART NO.: 2.54 mm Crimp Style Connectors
CHKD	DATE <td>UNIT: mm</td> <td>DWG NO.:</td>	UNIT: mm	DWG NO.:
APPD	DATE <td>SIZE: A4</td> <td></td>	SIZE: A4	



9556WRS-XX-LPV01	W=2.7
9556WRS-XX-A-LPV01	W=3.12



**Recommend PCB Layout**



PART NO	Material	Material(Pin)	Finish(Pin)	Suitable XKB Terminal
X9556WRS-XXX-LPV01	LCP UL 94V-0	Brass	Gold-Flash	X9556H
X9556WRS-XXA-LPV01	LCP UL 94V-0		Mate tin	
X9556WRS-XXX-LPSW				
X9556WRS-XXX-4TSW	Nylon 4T 94V-0			

Poles	Dimensions (mm)			Poles	Dimensions (mm)		
	A	B	C		A	B	C
02	2.54	8.89	5.33	08	17.78	24.13	20.57
03	5.08	11.43	7.87	09	20.32	26.67	23.11
04	7.62	13.97	10.41	10	22.86	29.21	25.65
05	10.16	16.51	12.95	11	25.40	31.75	28.19
06	12.70	19.05	15.49	12	27.94	34.29	30.73
07	15.24	21.59	18.03				

- Specifications :**
- Voltage rating: 250V AC / DC
  - Current rating: 3A AC / DC
  - Withstanding voltage: 1500V AC/minute
  - Temperature range: -40°C~+105°C
  - Insulation resistance: ≥1000M $\Omega$ /E
  - Contact resistance: ≤20m $\Omega$ /E
  - After environmental testing: ≤30m $\Omega$ /E
- Series No.** X9556 W R S-XX-XX LP XX XX
- Series No.
  - Category: W-water
  - Welding Board Angle: R-90°
  - Welding Way: S-SMT
  - Row No.-Pin No.: XX-Single row
  - Special NO. Blank: W=2.7 A: W=3.12
  - Material: LP-LCP 94V-0 4T-Nylon 4T 94V-0
  - Plating Category:
    - V\*\*:All Gold-Plated \*01-Gold Flash
    - SW-Matte Tin plating
    - Color: Blank-Natural Color Black



For and on behalf of  
**KXB INDUSTRIAL PRECISION CO., LIMITED**  
 香港星坤工業精密有限公司

Revisions  
 (Unauthorized Signatures)

MARK	DESCRIPTION	DATE	REVISED	APPROVED	UNSPECIFIED TOLERANCES
△ X					L > 63 ± 0.5
△ X					16 < L ≤ 63 ± 0.4
△ X					4 < L ≤ 16 ± 0.3
△ X					L ≤ 4 ± 0.2
					ANGULAR ± 5°

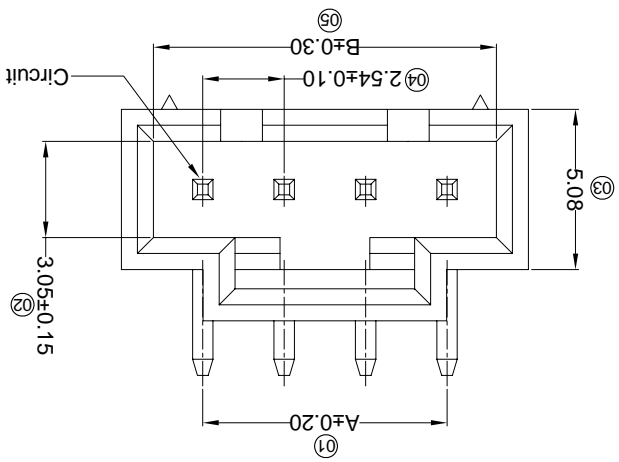
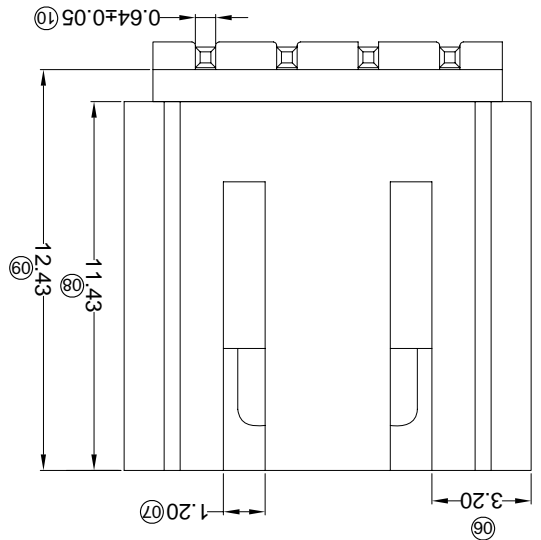
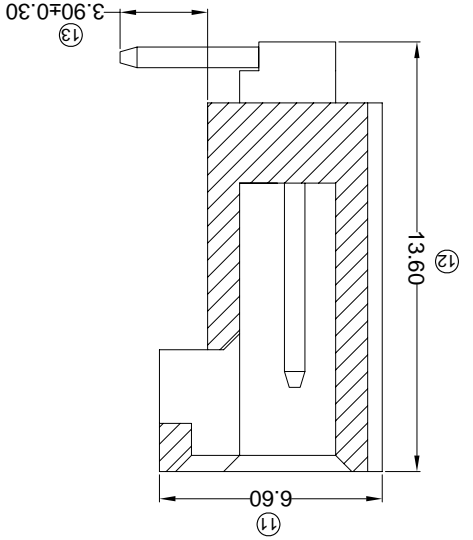
REVISION	SHEET	WEIGHT	DATE	DATE	DATE	DATE	DATE	DATE	DATE
A0	1/1	1.0g							

DSND	SCALE: N/A	DATE	VIEW:	UNIT: mm	SIZE: A4
APPD	MODEL TYPE: X9556WR-XXRB-NOV01				
CHKD	PART NO.: X9556WR-XXRB-NOV01				
DWN					

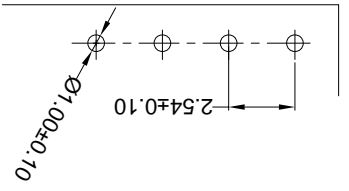
PART NO	Material	Material(Pin)	Finish(Pin)	Suitable XKB Terminal
X9556WR-XXRB-NOV01	Nylon 66 UL 94V-0	Brass	Gold-Flash	X9556H

Poles	A	B
2	2.54	5.59
3	5.08	8.13
4	7.62	10.67
5	10.16	13.21
6	12.70	15.75
7	15.24	18.29
8	17.78	20.83
9	20.32	23.37
10	22.86	25.91
11	25.40	28.45
12	27.94	30.99
13	30.48	33.53
14	33.02	36.07
15	35.56	38.61

- ① Series No. X9556 W R XX-XXRB-NOV01 XX
- ② Category: W-water
- ③ Welding Board Angle: R-90°
- ④ Welding Way: Blank-DIP
- ⑤ Row No.-Pin No. XX-Single row
- ⑥ Special NO. RB-Reverse bending
- ⑦ Material: N0-PA66 94V-0
- ⑧ Plating Category: V\*\*All Gold-Plated
- \*01-Gold Flash: \*02-2u"; \*03-3u"; \*05-5u"
- \*10-10u"; \*15-15u"; \*30-30u"; \*50-50u"
- SN-Bright tin plating 70u"
- SN-Bright tin plating 120u" Min.;
- SW-Fog Tin plating
- ⑨ Color: Blank-natural color



**Recommend PCB Layout**



- Specifications :
- Voltage rating: 250V AC / DC
- Current rating: 3A AC / DC
- Withstanding voltage: 1500V AC/minute
- Temperature range: -25°C~+85°C
- Insulation resistance: ≥1000MΩ
- Contact resistance: ≤20mΩ
- After environmental testing: ≤30mΩ

REVISIONS  
*(Authorized Signatures)*

For and on behalf of  
**KKB INDUSTRIAL PRECISION CO., LIMITED**  
香港星坤工業精密有限公司

MARK	DESCRIPTION	DATE	REVISED	APPROVED	UNSPECIFIED TOLERANCES
△ X					L > 63 ± 0.5
△ X					16 < L ≤ 63 ± 0.4
△ X					4 < L ≤ 16 ± 0.3
△ X					L ≤ 4 ± 0.2
					ANGULAR ± 5°

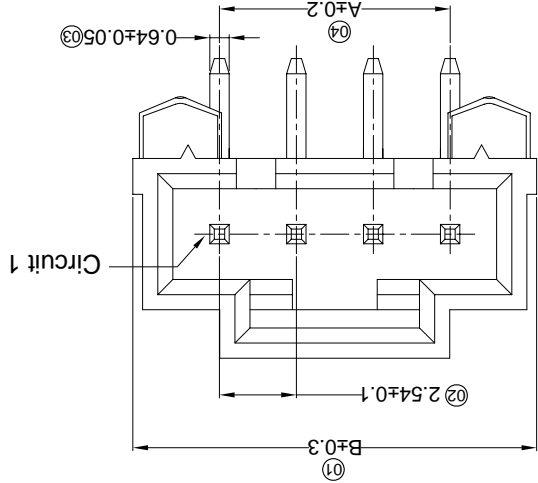
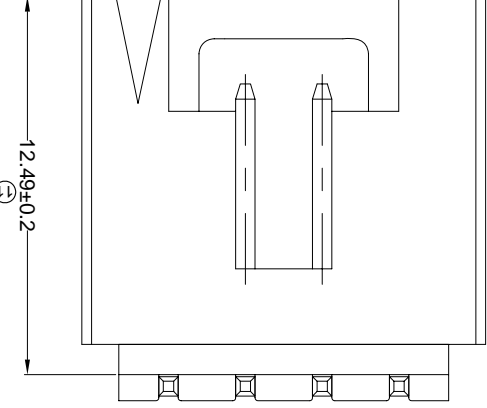
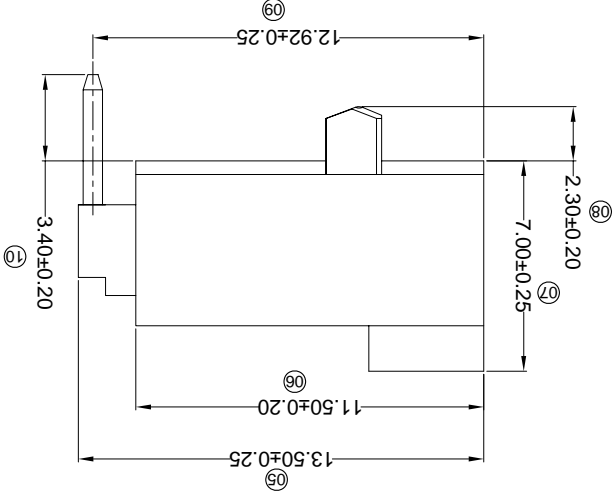
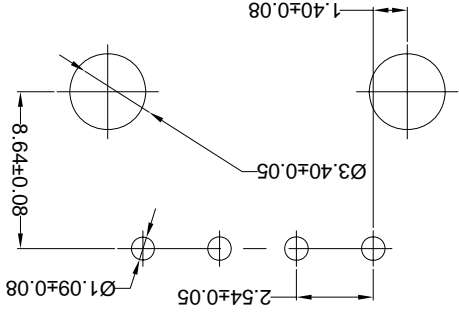
DATE	SCALE: N/A	MODEL TYPE: X9556WR-XXS-9TVXX
DNSD		
DWN	VIEW:	PART NO.: 2.54 mm Crimp Style Connectors
CHKD	UNIT: mm	DWG NO.:
APPD	DATE	SIZE: A4
	DATE	

PART NO	Material	Material(Pin)	Finish(Pin)	Suitable XKB Terminal
X9556WR-XXS-9TV01	Nylon 9T UL 94V-0	Brass	Gold-Flash	X9556H
X9556WR-XXSHF-9TV15	Nylon 9T UL 94V-0 Halogen Free	Brass	Gold 15u"	X9556H

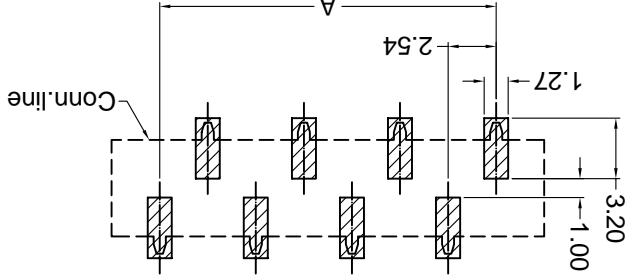
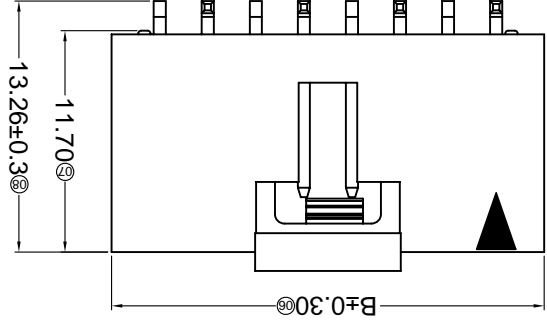
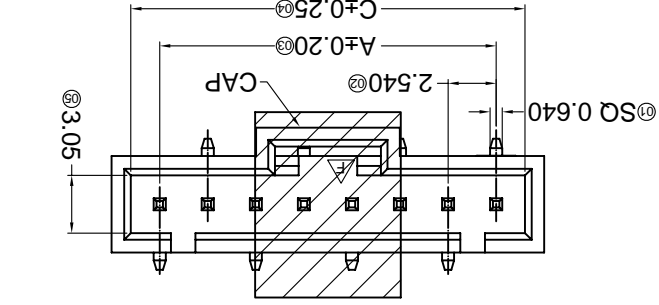
Poles	Dimensions (mm)
A	B
2	2.54
3	5.08
4	7.62
5	10.16
6	12.70
7	15.24
8	17.78
9	20.32
10	22.86
11	25.40
12	27.94
	33.93

- ① Series No.**  
X9556 W R XX- XX S HF-9T VXX XX
- ② Category:**  
W-water
- ③ Welding Board Angle:**  
R-90°
- ④ Welding Way:**  
Blank-DIP
- ⑤ Row No.-Pin No.**  
XX-Single row
- ⑥ Special NO.**  
S-With positioning column : HF-Halogen Free
- ⑦ Material:**  
9T-Nylon 9T 94V-0
- ⑧ Plating Category:**  
V\*\*All Gold-Plated
- ⑨ Color:**  
Blank-natural color
- ⑩ SN1-Bright tin plating 70u"**  
\*10-10u" ; \*15-15u" ; \*30-30u" ; \*50-50u"
- ⑪ SN1-Bright tin plating 120u"Min.**  
\*01-Gold Flash : \*02-2u" ; \*03-3u" ; \*05-5u"
- ⑫ SW-Fog Tin plating**

**Recommend PCB Layout**



- Specifications :**
- Voltage rating: 250V AC / DC
  - Current rating: 3A AC / DC
  - Withstanding voltage: 1500V AC/minute
  - Temperature range: -25°C~+85°C
  - Insulation resistance: ≥1000MΩ
  - Contact resistance: ≤20mΩ
  - After environmental testing: ≤30mΩ

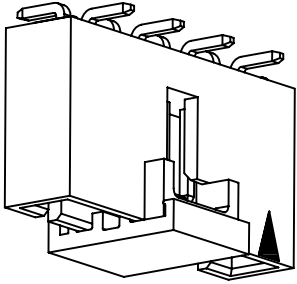
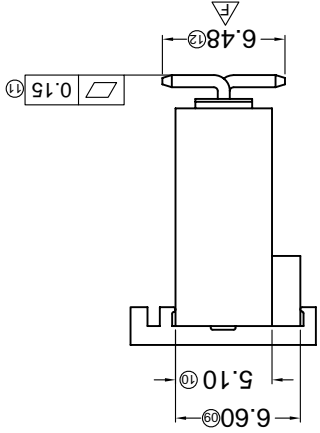


Recommended P.C.B Layout  
General Tolerance±0.05

For and on behalf of  
KKB INDUSTRIAL PRECISION CO., LIMITED  
香港星坤工業精密有限公司

REVISIONS  
Unauthorized Signature(s)

MARK	DESCRIPTION	DATE	REVISD	APPROVED	UNSPECIFIED TOLERANCES
△X					L > 63 ±0.5
△X					16 < L ≤ 63 ±0.4
△X					4 < L ≤ 16 ±0.3
					L ≤ 4 ±0.2
					ANGULAR ±5°



PART NO	Material	Material(Pin)	Finish(Pin)	Suitable XKB Terminal
X9556WVS-XX-4T1V01	PA 4T UL 94V-0	Brass	Gold-Flash	X9556H
X9556WVS-XX-4T5W	PA 4T UL 94V-0	Brass	Matte Tin	X9556H

Poles	Dimensions (mm)			Poles	Dimensions (mm)		
	A	B	C		A	B	C
02	2.54	7.62	5.59	12	27.94	33.02	30.99
03	5.08	10.16	8.13	13	30.48	35.56	33.53
04	7.62	12.70	10.67	14	33.02	38.10	36.07
05	10.16	15.24	13.21	15	35.56	40.64	38.61
06	12.70	17.78	15.75	16	38.10	43.18	41.15
07	15.24	20.32	18.29	17	40.64	45.72	43.69
08	17.78	22.86	20.83	18	43.18	48.26	46.23
09	20.32	25.40	23.37	19	45.72	50.80	48.77
10	22.86	27.94	25.91	20	48.26	53.34	51.31
11	25.40	30.48	28.45				

- ① Series No.
- ② Category: W-WAFER
- ③ Welding Board Angle: V-Straight 180°
- ④ Welding Way: S-SMT
- ⑤ Row No.-Pin No.: XX-02P~20P
- ⑥ Plug the Pin & Special No.:
- ⑦ Material: 4T -PA4T UL 94V-0
- ⑧ Plating Category: V01-Gold Flash
- ⑨ SW-Matte Tin Plating
- ⑩ Color : Blank-Natural Color Black

X9556 W V S-XX X-4T XX XX

- Specifications :
- Voltage rating: 250V AC / DC
- Current rating: 3A AC / DC
- Withstanding voltage: 1500V AC/minute
- Temperature range: -40°C~+105°C
- Insulation resistance: ≥1000MΩ
- Contact resistance: ≤20mΩ
- After environmental testing: ≤30mΩ

DSND	DATE	SCALE: N/A	MODEL TYPE: X9556WVS-XX-4TXX
CHKD	DATE <td>UNIT: mm <td>DWG NO.:</td> </td>	UNIT: mm <td>DWG NO.:</td>	DWG NO.:
APPD	DATE <td>SIZE: A4</td> <td></td>	SIZE: A4	
REVISIONS			
REVISION	SHEET	1/1	A0

KKB INDUSTRIAL PRECISION CO., LIMITED

8

7

6

5

4

3

2

1

8

7

6

5

4

3

2

1

F

F

E

E

D

D

C

C

B

B

A

A

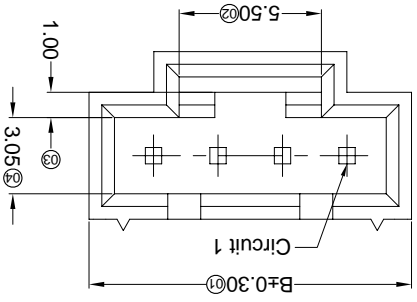
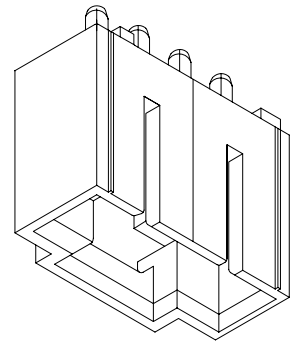
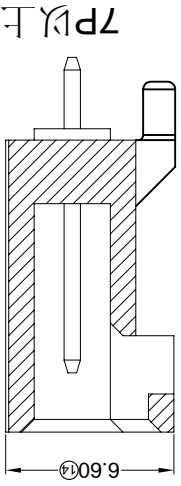
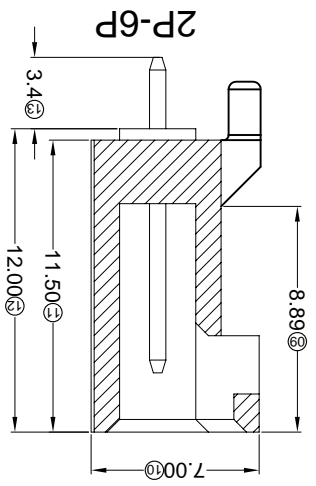
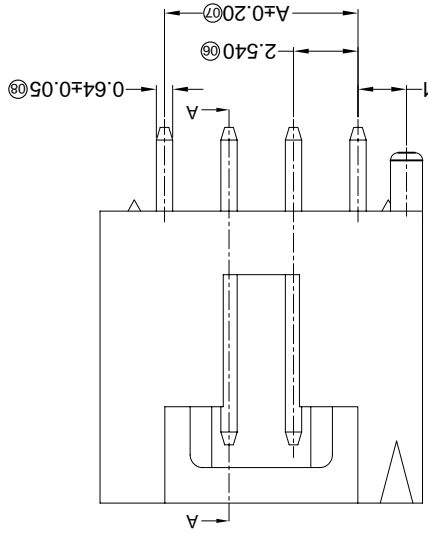
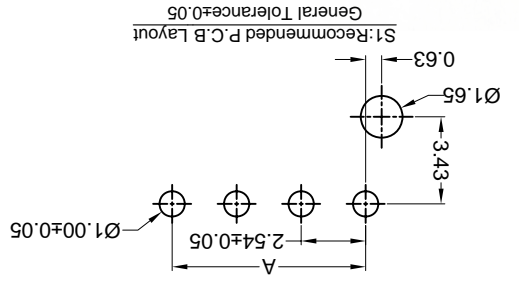
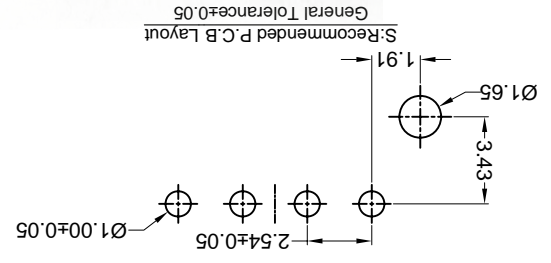




For and on behalf of  
**KXB INDUSTRIAL PRECISION CO., LIMITED**  
 香港星坤工業精密有限公司  
 REMISIONS  
 (Unauthorized Signature(s))

MARK	DESCRIPTION	DATE	REVISED	APPROVED	UNSPECIFIED TOLERANCES
△ X					L > 63 ± 0.5
△ X					16 < L ≤ 63 ± 0.4
△ X					4 < L ≤ 16 ± 0.3
					L ≤ 4 ± 0.2
					ANGULAR ± 5°

REVISION	SHEET	WEIGHT	1.0g	1/1	A0
<b>KXB INDUSTRIAL PRECISION CO., LIMITED</b>					
APPD	DATE	SIZE: A4	DWG NO.:		
CHKD	DATE	UNIT: mm	2.54 mm Crimp Style Connectors		
DWN	DATE	VIEW:	PART NO.:		
DSND	DATE	SCALE: N/A	MODEL TYPE: X9556WV-XXSX-LP01		



SECTION A-A  
 SCALE 1 : 1

PART NO	Material	Material(Pin)	Finish(Pin)	Suitable XKB Terminal
X9556WV-XXSX-LP01	LCP UL 94V-0	Brass	Gold-Flash	X9556H

Poles	Dimensions (mm)			
	A	B	A	B
2	2.54	7.62	14	33.02
3	5.08	10.16	15	35.56
4	7.62	12.70	16	38.10
5	10.16	15.24	17	40.64
6	12.70	17.78	18	43.18
7	15.24	20.32	19	45.72
8	17.78	22.86	20	48.26
9	20.32	25.40	21	50.80
10	22.86	27.94	22	53.34
11	25.40	30.48	23	55.88
12	27.94	33.02	24	58.42
13	30.48	35.56		63.50

- ① Series No. X9556 W V X-XX SX-LP XXX XX  
 ② Category: W-water  
 ③ Welding Board Angle: V- Straight 180°  
 ④ Welding Way: Blank-DIP  
 ⑤ Row No.-Pin No.: XX-02P~24P  
 ⑥ Plug the Pin & Special No.:  
 S-With Post,distance Pin 1.91mm;  
 S1-With Post ,distance Pin 0.63mm;  
 ⑦ Material: LP-LCP 94V-0;  
 ⑧ Plating Category: V01-Gold Flash;  
 ⑨ Color: Blank-Natural Color
- Specifications :
- Voltage rating: 250V AC / DC
  - Current rating: 3A AC / DC
  - Withstanding voltage: 1500V AC/minute
  - Temperature range: -25°C~+85°C
  - Insulation resistance: ≥1000MΩ
  - Contact resistance: ≤20mΩ
  - After environmental testing: ≤30mΩ



## X-ON Electronics

Largest Supplier of Electrical and Electronic Components

*Click to view similar products for [Headers & Wire Housings](#) category:*

*Click to view products by [XKB](#) manufacturer:*

Other Similar products are found below :

[95000-104TRLF](#) [10135584-644402LF](#) [DF62W-EP2022PCA](#) [95000-106TRLF](#) [DF62W-2022SCA](#) [DF62W-EP2022PC](#) [2203348](#) [DF62W-2022SC](#) [1084018](#) [1029039](#) [1084017](#) [802-10-012-10-002000](#) [1112640](#) [1112639](#) [891-007-9SS-BST1T](#) [000-34000](#) [0008550134](#) [0009482033](#) [0009507031](#) [57102-F02-18ULF](#) [57102-S06-03LF](#) [57202-S52-04LF](#) [PCN6-15S-2.5E](#) [0039019024](#) [58102-G61-06LF](#) [582553-1](#) [0009485154](#) [0009508121](#) [0022285053](#) [0050291907](#) [018731A](#) [LY20-4P-DT1-P1E-BR](#) [02.125.8002.8](#) [60101931](#) [60598-1 \(Cut Strip\)](#) [M1625-3R/100](#) [61062-3](#) [61082-181009](#) [CSU011177004](#) [636-1427](#) [638009-1](#) [641938-9](#) [641991-4](#) [644168-1](#) [644827-2](#) [647662-1](#) [65039-019ELF](#) [65692-001LF](#) [65781-018](#) [65781-047](#)