

For and on behalf of
XKB INDUSTRIAL PRECISION CO., LIMITED
 香港星坤工業精密有限公司

Revisions (Authorized Signatures)

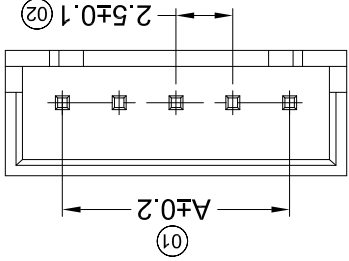
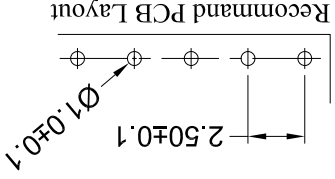
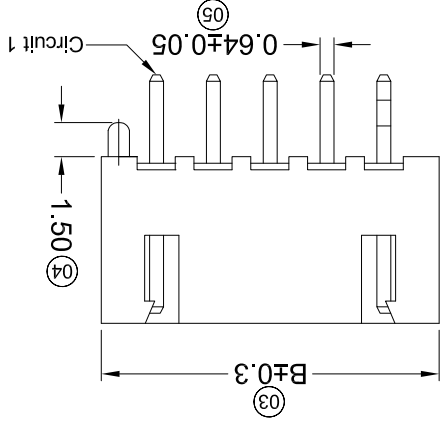
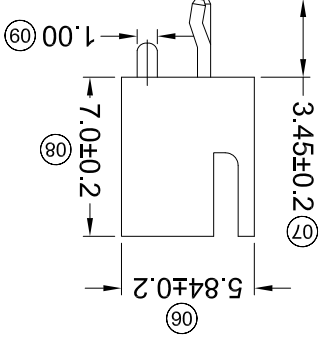
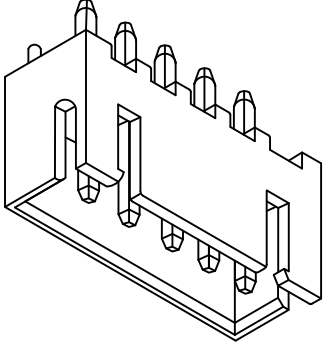
| MARK | DESCRIPTION | DATE | REVISED | APPROVED | UNSPECIFIED TOLERANCES |
|------|-------------|------|---------|----------|------------------------|
| △X | | | | | L > 63 ±0.5 |
| △X | | | | | 16 > L ≤ 63 ±0.4 |
| △X | | | | | 4 > L ≤ 16 ±0.3 |
| △X | | | | | L ≤ 4 ±0.2 |
| | | | | | ANGULAR ±5° |

| DATE | SCALE: N/A | MODEL TYPE: |
|------|------------|-------------------------------|
| | | X8821WV-XXKS-N0SN |
| DATE | VIEW: | PART NO.: |
| | | 2.50 mm Crimp style Connector |
| DATE | UNIT: mm | DWG NO.: |
| | | |
| DATE | SIZE: A4 | REVISION |
| | | 1/1 |
| DATE | WEIGHT | A0 |
| | 1.0g | |

| PART NO | Material | Material(Pin) | Finish(Pin) | Suitable XKB Terminal |
|-------------------|-------------------|---------------|-------------|-----------------------|
| X8821WV-XXKS-N0SN | Nylon 66 UL 94V-0 | Brass | Tin-Plated | X8821H |

| Dimensions (mm) | A | B |
|-----------------|-------|-------|
| 02 | 2.50 | 7.50 |
| 03 | 5.00 | 10.00 |
| 04 | 7.50 | 12.50 |
| 05 | 10.00 | 15.00 |
| 06 | 12.50 | 17.50 |
| 07 | 15.00 | 20.00 |
| 08 | 17.50 | 22.50 |
| 09 | 20.00 | 25.00 |
| 10 | 22.50 | 27.50 |
| 11 | 25.00 | 30.00 |
| 12 | 27.50 | 32.50 |
| 13 | 30.00 | 35.00 |
| 14 | 32.50 | 37.50 |
| 15 | 35.00 | 40.00 |
| 16 | 37.50 | 42.50 |
| 17 | 40.00 | 45.00 |
| 18 | 42.50 | 47.50 |
| 19 | 45.00 | 50.00 |
| 20 | 47.50 | 52.50 |

- ① Series No. X8821 W V X-XX KS -N0 SN XX
- ② Category: W-WAFER
- ③ Welding Board Angle: V-180° ; R-90°
- ④ Welding Way: Blank-DIP ; S-SMT
- ⑤ Row No.-Pin No.: XX-Single Row ; 2*XX-Double Row
- ⑥ Plug the Pin & Special No.: Blank-Without Kink ; K-With Kink
- ⑦ Material: NO -PA66 94V-0
S-With Post
- ⑧ Plating Category: G**-Gold Plated Contact
V**- All Gold-Plated
01-Gold Flash 02-2u" 03-3u"
05-5u" 10-10u" 15-15u"
SN-Bright Tin Plating (70u")
SN1-Bright Tin Plating (120u" Min).
0-No Plating Material
SW- Fog Tin Plating
HS-Hight temperature Tin
- ⑨ Color : Blank-Natural Color :



- Specifications :
- Voltage rating: 250V AC / DC
 - Current rating: 3A AC / DC
 - Withstanding voltage: 1000V AC/minute
 - Temperature range: -25°C~+85°C
 - Insulation resistance: ≥1000MΩ
 - Contact resistance: ≤10mΩ
 - After environmental testing: ≤20mΩ

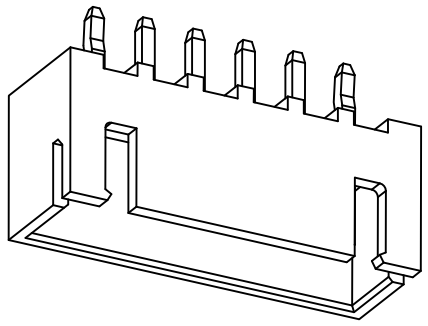
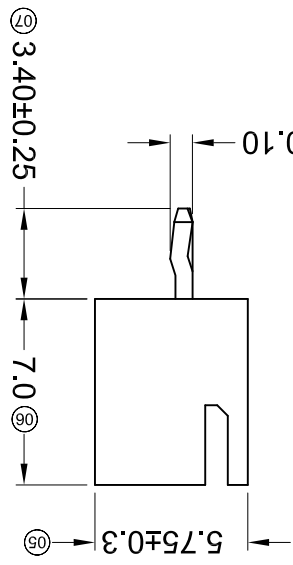
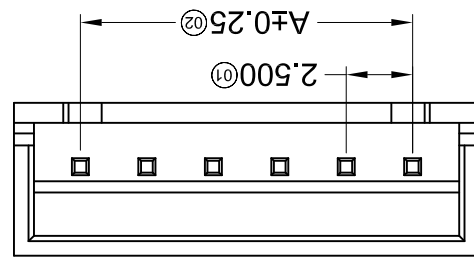
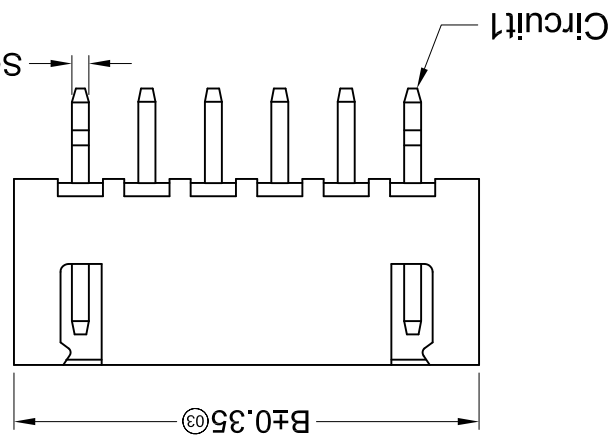
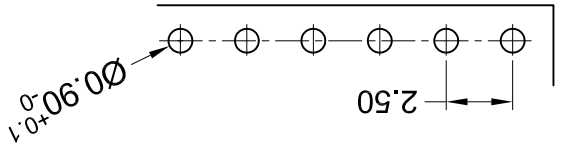
For and on behalf of
XKB INDUSTRIAL PRECISION CO., LIMITED
 香港星坤工業精密有限公司

REVISIONS
 Authorized Signature(s)

| MARK | DESCRIPTION | DATE | REVISED | APPROVED | UNSPECIFIED TOLERANCES |
|------|-------------|------|---------|----------|------------------------|
| △X | | | | | L > 63 ±0.5 |
| △X | | | | | 16 > L ≤ 63 ±0.4 |
| △X | | | | | 4 < L ≤ 16 ±0.3 |
| | | | | | L ≤ 4 ±0.2 |
| | | | | | ANGULAR ±5° |

| DATE | SCALE: N/A | MODEL TYPE: |
|------|------------|------------------------------|
| DNSD | | X8821WV-XXK-N0SN |
| DWN | | PART NO.: |
| CHKD | | VIEW: |
| APPD | | UNIT: mm |
| | | SIZE: A4 |
| | | DWG NO.: |
| | | 2.50mm Crimp Style Connector |
| | | WEIGHT 1.0g |
| | | SHEET 1/1 |
| | | REVISION A0 |

Recommended P.C.B Layout
 General Tolerance±0.05



| PART NO | Material | Material(Pin) | Finish(Pin) | Suitable XKB Terminal |
|------------------|-------------------|---------------|-------------|-----------------------|
| X8821WV-XXK-N0SN | Nylon 66 UL 94V-0 | Brass | Tin-Plated | X8821H |

| Poles | Dimensions(mm) | |
|-------|----------------|-------|
| | A | B |
| 02 | 2.50 | 7.50 |
| 03 | 5.00 | 10.00 |
| 04 | 7.50 | 12.50 |
| 05 | 10.00 | 15.00 |
| 06 | 12.50 | 17.50 |
| 07 | 15.00 | 20.00 |
| 08 | 17.50 | 22.50 |
| 09 | 20.00 | 25.00 |
| 10 | 22.50 | 27.50 |
| 11 | 25.00 | 30.00 |

- ① Series No.
 ② Category: W-WAFER
 ③ Welding Board Angle: V-Stringht 180°
 ④ Welding Way: Blank-DIP;
 ⑤ Row No.-Pin No.: XX-Single Row;
 ⑥ Plug the Pin & Special No.: K-KINK
 ⑦ Material: NO -PA66 94V-0
 ⑧ Plating Category: SN-Bright Tin Plating
 ⑨ Color: Blank-Natural Color
- X8821 W V X-XX K-N0 SN XX
 ① ② ③ ④ ⑤ ⑥ ⑦ ⑧ ⑨

- Specifications:
- Voltage rating: 250V AC / DC
 - Current rating: 3A AC / DC
 - Withstanding voltage: 1000V AC/minute
 - Temperature range: -25°C~+85°C
 - Insulation resistance: ≥1000MΩ
 - Contact resistance: ≤10mΩ
 - After environmental testing: ≤20mΩ

For and on behalf of
XKB INDUSTRIAL PRECISION CO., LIMITED
 香港星坤工業精密有限公司

| MARK | DESCRIPTION | DATE | REVISIONS | UNSPECIFIED TOLERANCES |
|------|-------------|------|-----------|------------------------|
| △X | | | | ±0.5 |
| △X | | | | L > 63 L > 16 ≤ 63 |
| △X | | | | L ≤ 4 4 < L ≤ 16 |
| | | | | ANGULAR ±5° |

| REVISIONS | DATE | REVISOR | APPROVED | DESCRIPTION |
|-----------|------|---------|----------|-------------|
| | | | | |

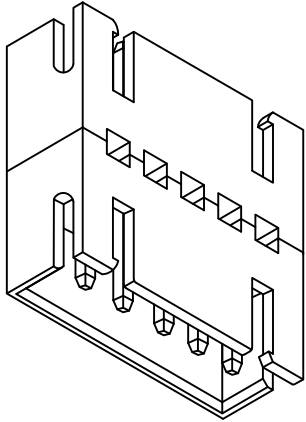
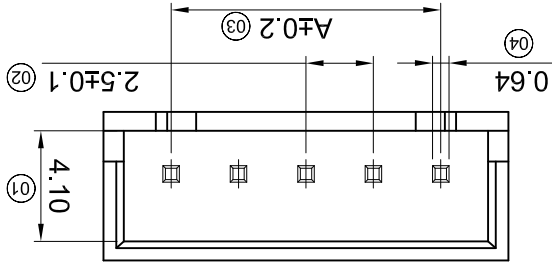
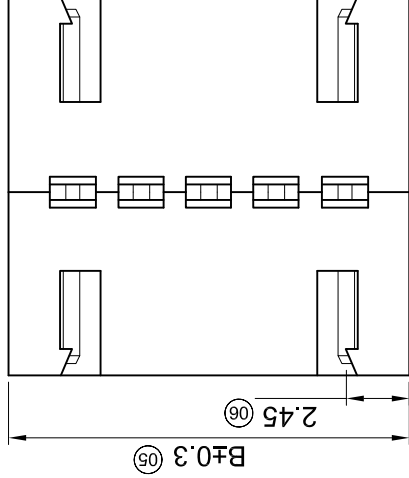
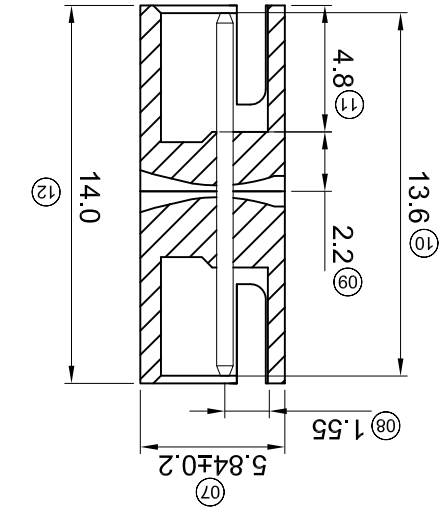
| | |
|----------|------|
| WEIGHT | 1.0g |
| SHEET | 1/1 |
| REVISION | A0 |

| | |
|-------------|-------------------|
| MODEL TYPE: | X8821WV-XXH2-N0SN |
| PART NO.: | X8821WV-XXH2-N0SN |
| VIEW: | VIEW: ⑩ |
| UNIT: | UNIT: mm |
| SIZE: | SIZE: A4 |

| PART NO | Material | Material(Pin) | Finish(Pin) | Suitable XKB Terminal |
|-------------------|-------------------|---------------|-------------|-----------------------|
| X8821WV-XXH2-N0SN | Nylon 66 UL 94V-0 | Brass | Tin-Plated | X8821H |

| Dimensions (mm) | A | B |
|-----------------|-------|-------|
| 02 | 2.50 | 7.50 |
| 03 | 5.00 | 10.00 |
| 04 | 7.50 | 12.50 |
| 05 | 10.00 | 15.00 |
| 06 | 12.50 | 17.50 |
| 07 | 15.00 | 20.00 |
| 08 | 17.50 | 22.50 |
| 09 | 20.00 | 25.00 |
| 10 | 22.50 | 27.50 |
| 11 | 25.00 | 30.00 |
| 12 | 27.50 | 32.50 |
| 13 | 30.00 | 35.00 |
| 14 | 32.50 | 37.50 |
| 15 | 35.00 | 40.00 |
| 16 | 37.50 | 42.50 |
| 17 | 40.00 | 45.00 |
| 18 | 42.50 | 47.50 |
| 19 | 45.00 | 50.00 |
| 20 | 47.50 | 52.50 |

- ① Series No. X8821 W V X-XX H2 -N0 XX XX
- ② Category: W-WAFER
- ③ Welding Board Angle: V-180° ; R-90°
- ④ Welding Way: Blank-DIP ; S-SMT
- ⑤ Row No.-Pin No.: XX-Single Row ; 2*XX-Double Row
- ⑥ Plug the Pin & Special No.: H2-Double-Faced Wafer
- ⑦ Material: N0 -PA66 94V-0
- ⑧ Plating Category: G**-Gold Plated Contact
- V**- All Gold-Plated
- 01-Gold Flash 02-2u" 03-3u"
- 05-5u" 10-10u" 15-15u"
- SN-Bright Tin Plating (70u")
- SN1-Bright Tin Plating (120u" Min).
- 0-No Plating Material
- SW-Fog Tin Plating
- HS-Hight temperature Tin
- ⑨ Color : Blank-Natural Color ;



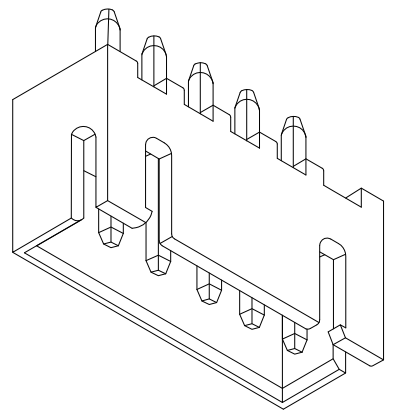
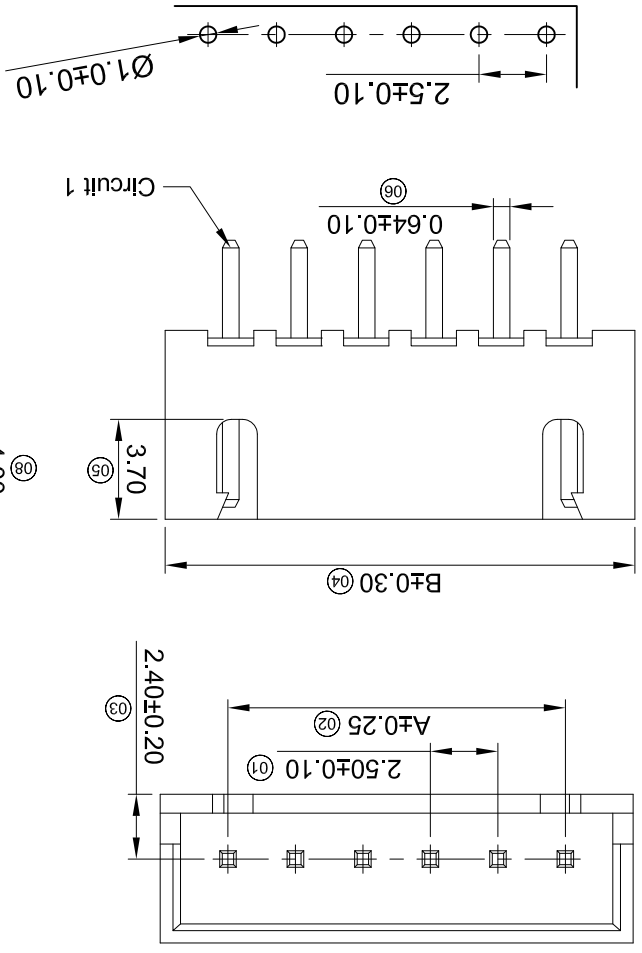
- Specifications :**
- Voltage rating: 250V AC / DC
 - Current rating: 3A AC / DC
 - Withstanding voltage: 1000V AC/minute
 - Temperature range: -25°C~+85°C
 - Insulation resistance: ≥1000MΩ
 - Contact resistance: ≤10mΩ
 - After environmental testing: ≤20mΩ

For and on behalf of
XKB INDUSTRIAL PRECISION CO., LIMITED
 香港星坤工業精密有限公司
 REVISIONS SIGNATURE(S)

| MARK | DESCRIPTION | DATE | REVISED | APPROVED | UNSPECIFIED TOLERANCES |
|------|-------------|------|---------|----------|------------------------|
| △X | | | | | ±0.5 |
| △X | | | | | L > 63 |
| △X | | | | | 16 < L ≤ 63 |
| | | | | | ±0.4 |
| | | | | | 4 < L ≤ 16 |
| | | | | | ±0.2 |
| | | | | | L ≤ 4 |
| | | | | | ANGULAR |
| | | | | | ±5° |

| REVISION | SHEET | WEIGHT | XKB INDUSTRIAL PRECISION CO., LIMITED | | | |
|----------|-------|--------|---------------------------------------|-------|---------------------------|-----------------------------|
| A0 | 1/1 | 1.0g | DATE | DATE | DATE | DATE |
| | | | SCALE: N/A | VIEW: | PART NO.: X8821WV-XX-N0XX | MODEL TYPE: X8821WV-XX-N0XX |
| | | | UNIT: mm | DATE | CHKD | APPD |
| | | | SIZE: A4 | DATE | | |

Recommend PCB Layout



X8821 W V X-XX X-N0 XX XX

- ① Series No.
- ② Category: W-WAFER
- ③ Welding Board Angle: V-180° ; R-90°
- ④ Welding Way: Blank-DIP ; S-SMT
- ⑤ Row No.-Pin No.: XX-Single Row ; 2*XX-Double Row
- ⑥ Plug the Pin & Special No.:
- ⑦ Material: N0-PA66 94V-0
- ⑧ Plating Category: G**-Gold Plated Contact
- ⑨ V**- All Gold-Plated
- 01-Gold flash 02-2u" 03-3u"
- 05-5u" 10-10u" 15-15u"
- SN-Bright Tin Plating (70u")
- SN-1-Bright Tin Plating (120u" Min).
- 0-No Plating Material
- SW-Fog Tin Plating
- HS-Hight temperature Tin
- ⑩ Color : Blank-Natural Color ;

| Dimensions (mm) | A | B |
|-----------------|-------|-------|
| 02 | 2.50 | 7.50 |
| 03 | 5.00 | 10.00 |
| 04 | 7.50 | 12.50 |
| 05 | 10.00 | 15.00 |
| 06 | 12.50 | 17.50 |
| 07 | 15.00 | 20.00 |
| 08 | 17.50 | 22.50 |
| 09 | 20.00 | 25.00 |
| 10 | 22.50 | 27.50 |
| 11 | 25.00 | 30.00 |
| 12 | 27.50 | 32.50 |
| 13 | 30.00 | 35.00 |
| 14 | 32.50 | 37.50 |
| 15 | 35.00 | 40.00 |
| 16 | 37.50 | 42.50 |
| 17 | 40.00 | 45.00 |
| 18 | 42.50 | 47.50 |
| 19 | 45.00 | 50.00 |
| 20 | 47.50 | 52.50 |

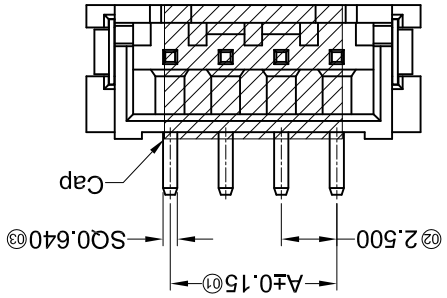
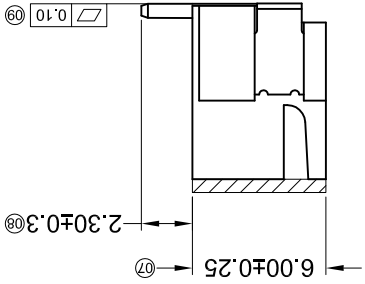
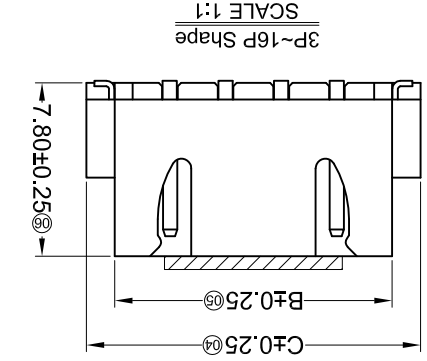
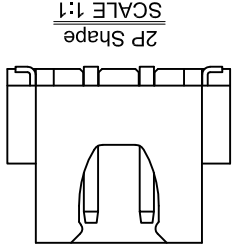
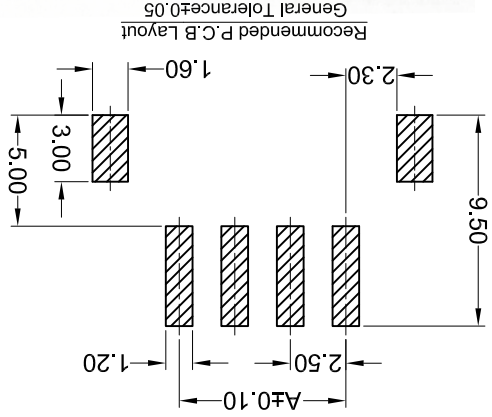
- Specifications :**
- Voltage rating: 250V AC / DC
 - Current rating: 3A AC / DC
 - Withstanding voltage: 1000V AC/minute
 - Temperature range: -25°C~+85°C
 - Insulation resistance: ≥1000MΩ
 - Contact resistance: ≤10mΩ
 - After environmental testing: ≤20mΩ

For and on behalf of
XKB INDUSTRIAL PRECISION CO., LIMITED
 香港星坤工業精密有限公司

| MARK | DESCRIPTION | DATE | REVISIONS | UNSPECIFIED TOLERANCES |
|------|-------------|------|-----------|------------------------|
| △X | | | | ±0.5 |
| △X | | | | 16 > L ≤ 63 |
| △X | | | | L > 63 |

| REVISION | SHEET | WEIGHT | XKB INDUSTRIAL PRECISION CO., LIMITED | | | |
|----------|-------|--------|---------------------------------------|--|--|--|
| A0 | 1/1 | 1.0g | | | | |

| DSND | DATE | SCALE: N/A | MODEL TYPE: X8821WVS-XX-9TSN |
|------|--|------------|------------------------------|
| DWN | DATE <td>VIEW: </td> <td>PART NO.:</td> | VIEW: | PART NO.: |
| CHKD | DATE <td>UNIT: mm</td> <td>DWG NO.:</td> | UNIT: mm | DWG NO.: |
| APPD | DATE <td>SIZE: A4</td> <td></td> | SIZE: A4 | |



| Poles | A | B | C | Dimensions(mm) |
|-------|-------|-------|-------|----------------|
| 02 | 2.50 | 7.45 | 10.00 | 27.45 |
| 03 | 5.00 | 9.95 | 12.50 | 29.95 |
| 04 | 7.50 | 12.45 | 15.00 | 32.45 |
| 05 | 10.00 | 14.95 | 17.50 | 34.95 |
| 06 | 12.50 | 17.45 | 20.00 | 37.45 |
| 07 | 15.00 | 19.95 | 22.50 | 39.95 |
| 08 | 17.50 | 22.45 | 25.00 | 42.45 |
| 09 | 20.00 | 24.95 | 27.50 | 45.00 |

| PART NO | Material | Material(Pin) | Finish(Pin) | Material(Solder Tabs) | Finish(Solder Tabs) | Suitable XKB Terminal |
|------------------|---------------|---------------|-------------|-----------------------|---------------------|-----------------------|
| X8821WVS-XX-9TSN | PA9T UL 94V-0 | Brass | Tin-plated | Phosphore Bronze | Tin-plated | x8821H |

- ① Series No. X8821 W V S-XX X-9T SN XX
 ② Category: W-WAFER
 ③ Welding Board Angle: V-180°
 ④ Welding Way: S-SMT
 ⑤ Row No.-Pin No.: XX-Single Row
 ⑥ Plug the Pin & Special No.:
 ⑦ Material: 9T -PA9T 94V-0
 ⑧ Plating Category: SN-Bright Tin Plating
 ⑨ Color: Blank-Natural Color

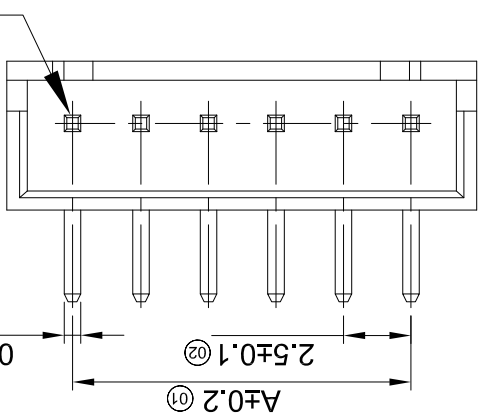
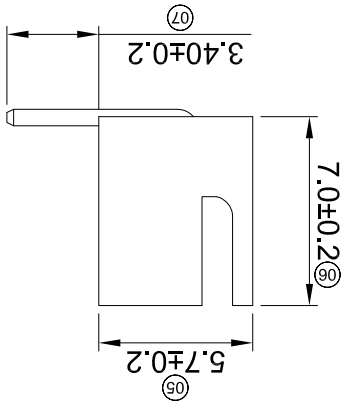
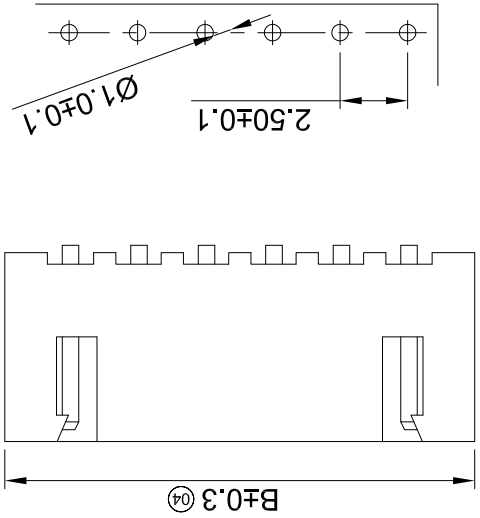
- Specifications:
 • Voltage rating: 250V AC / DC
 • Current rating: 3A AC / DC
 • Withstanding voltage: 1000V AC/minute
 • Temperature range: -25°C~+85°C
 • Insulation resistance: ≥1000MΩ
 • Contact resistance: ≤10mΩ
 • After environmental testing: ≤20mΩ

For and on behalf of
KXB INDUSTRIAL PRECISION CO., LIMITED
 香港星坤工業精密有限公司
 Authorized Signatures(s)

| MARK | DESCRIPTION | DATE | REVISED | APPROVED | UNSPECIFIED TOLERANCES |
|------|-------------|------|---------|----------|------------------------|
| △X | | | | | ±0.5 |
| △X | | | | | L > 63 |
| △X | | | | | 16 < L ≤ 63 |
| | | | | | ±0.4 |
| | | | | | 4 < L ≤ 16 |
| | | | | | ±0.2 |
| | | | | | L ≤ 4 |
| | | | | | ANGULAR |
| | | | | | ±5° |

| REVISION | SHEET | WEIGHT | KXB INDUSTRIAL PRECISION CO., LIMITED | | | |
|----------|-------|--------|---------------------------------------|------------------|------------------|------------------|
| A0 | 1/1 | 1.0g | DATE | DATE | DATE | DATE |
| | | | APPD | CHKD | DWN | DSND |
| | | | SIZE: A4 | UNIT: mm | VIEW: | SCALE: N/A |
| | | | DWG NO.: | PART NO.: | PART NO.: | MODEL TYPE: |
| | | | 2.50 mm Crimp style Connector | X8821WR-XXS-N0SN | X8821WR-XXS-N0SN | X8821WR-XXS-N0SN |

Recommend PCB Layout



| PART NO | Material | Material(Pin) | Finish(Pin) | Suitable XKB Terminal |
|------------------|-------------------|---------------|-------------|-----------------------|
| X8821WR-XXS-N0SN | Nylon 66 UL 94V-0 | Brass | Tin-Plated | X8821H |

| Dimensions (mm) | A | B |
|-----------------|-------|-------|
| 02 | 2.50 | 7.50 |
| 03 | 5.00 | 10.00 |
| 04 | 7.50 | 12.50 |
| 05 | 10.00 | 15.00 |
| 06 | 12.50 | 17.50 |
| 07 | 15.00 | 20.00 |
| 08 | 17.50 | 22.50 |
| 09 | 20.00 | 25.00 |
| 10 | 22.50 | 27.50 |
| 11 | 25.00 | 30.00 |
| 12 | 27.50 | 32.50 |
| 13 | 30.00 | 35.00 |
| 14 | 32.50 | 37.50 |
| 15 | 35.00 | 40.00 |
| 16 | 37.50 | 42.50 |
| 17 | 40.00 | 45.00 |
| 18 | 42.50 | 47.50 |
| 19 | 45.00 | 50.00 |
| 20 | 47.50 | 52.50 |

- X8821 W R X-XX S-N0 SN XX
- ① Series No.
 - ② Category: W-WAFER
 - ③ Welding Board Angle: V-180°; R-90°
 - ④ Welding Way: Blank-DIP; S-SMT
 - ⑤ Row No.-Pin No.: XX-Single Row; 2*XX-Double Row
 - ⑥ Plug the Pin & Special No.: S-No Positioning
 - ⑦ Material: N0 -PA66 94V-0 N2-PA66 94V-2
 - ⑧ Plating Category: G*-Gold Plated Contact
 - ⑨ V*- All Gold-Plated
 - ⑩ 01-1u" 02-2u" 03-3u"
 - ⑪ 05-5u" 10-10u" 15-15u"
 - ⑫ SN-Bright Tin Plating (70u")
 - ⑬ SN1-Bright Tin Plating (120u" Min).
 - ⑭ 0-No Plating Material
 - ⑮ SW-Fog Tin Plating
 - ⑯ HS-Hight temperature Tin
 - ⑰ Color: Blank-Natural Color

- Specifications:**
- Voltage rating: 250V AC / DC
 - Current rating: 3A AC / DC
 - Withstanding voltage: 1000V AC/minute
 - Temperature range: -25°C~+85°C
 - Insulation resistance: ≥1000MΩ
 - Contact resistance: ≤10mΩ
 - After environmental testing: ≤20mΩ

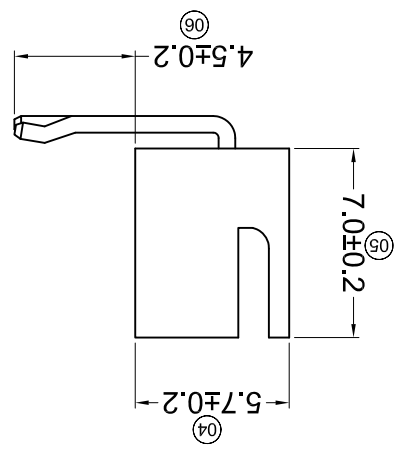
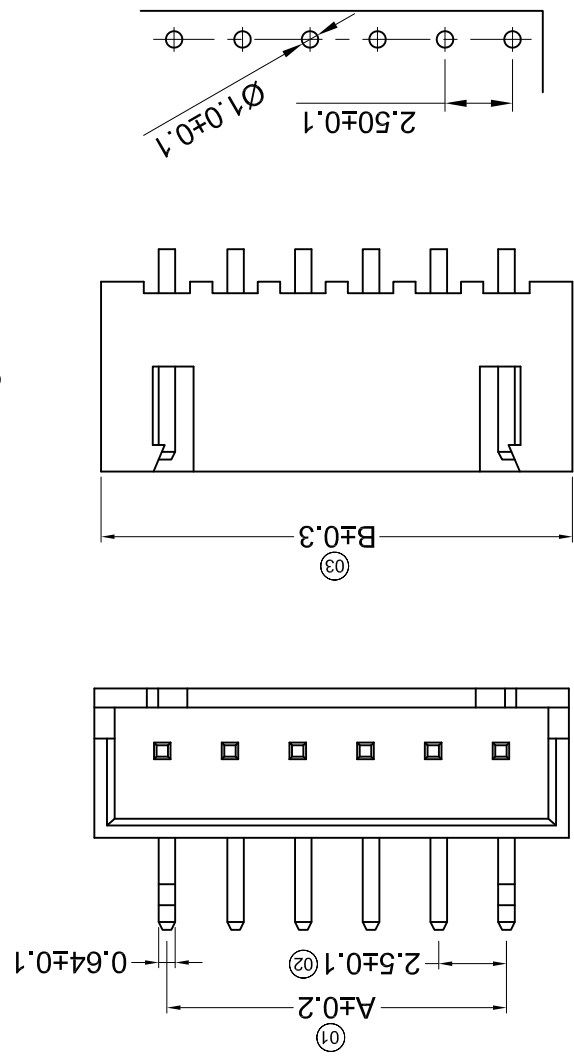
| | | | | | | | | | | | |
|------------------------|--|----------|--|-------------|--|------------|--|-------------|--|-------|--|
| REVISIONS | | APPROVED | | REVISED | | DATE | | DESCRIPTION | | MARK | |
| UNSPECIFIED TOLERANCES | | L > 63 | | 16 < L ≤ 63 | | 4 < L ≤ 16 | | L ≤ 4 | | ± 0.2 | |
| ± 0.5 | | ± 0.4 | | ± 0.3 | | ± 0.2 | | ANGULAR | | ± 5° | |

For and on behalf of
KXB INDUSTRIAL PRECISION CO., LIMITED
 香港星坤工業精密有限公司

| | | | |
|-------------------------------|------------|------|------|
| MODEL TYPE: | SCALE: N/A | DATE | DNSD |
| X8821WR-XXKS-N0SN | | | |
| PART NO.: | VIEW: | DATE | DWN |
| 2.50 mm Crimp style Connector | | | |
| DWG NO.: | UNIT: mm | DATE | CHKD |
| | | | |
| SIZE: A4 | | DATE | APPD |

| | |
|----------|------|
| WEIGHT | 1.0g |
| SHEET | 1/1 |
| REVISION | A0 |

Recommend PCB Layout



| PART NO | Material | Material(Pin) | Finish(Pin) | Suitable XKB Terminal |
|-------------------|-------------------|---------------|-------------|-----------------------|
| X8821WR-XXKS-N0SN | Nylon 66 UL 94V-0 | Brass | Tin-Plated | X8821H |

| Dimensions (mm) | A | B |
|-----------------|-------|-------|
| Poles | 2.50 | 7.50 |
| 02 | 5.00 | 10.00 |
| 03 | 7.50 | 12.50 |
| 04 | 10.00 | 15.00 |
| 05 | 12.50 | 17.50 |
| 06 | 15.00 | 20.00 |
| 07 | 17.50 | 22.50 |
| 08 | 20.00 | 25.00 |
| 09 | 22.50 | 27.50 |
| 10 | 25.00 | 30.00 |
| 11 | 27.50 | 32.50 |
| 12 | 30.00 | 35.00 |
| 13 | 32.50 | 37.50 |
| 14 | 35.00 | 40.00 |
| 15 | 37.50 | 42.50 |
| 16 | 40.00 | 45.00 |
| 17 | 42.50 | 47.50 |
| 18 | 45.00 | 50.00 |
| 19 | 47.50 | 52.50 |
| 20 | 50.00 | |

- X8821 W R X-XX KS -N0 SN XX
- ① Series No.
 - ② Category : W-WAFER
 - ③ Welding Board Angle : V-180° ; R-90°
 - ④ Welding Way : Blank-DIP ; S-SMT
 - ⑤ Row No.-Pin No. : XX-Single Row ; 2*XX-Double Row
 - ⑥ Plug the Pin & Special No. : KS- With kink and No Positioning
 - ⑦ Material : N0 -PA66 94V-0 N2-PA66 94V-2
 - ⑧ Plating Category : G*-Gold Plated Contact
 - ⑨ V*- All Gold-Plated
 - ⑩ 01-Gold Flash 02-2u" 03-3u"
 - ⑪ 05-5u" 10-10u" 15-15u"
 - ⑫ SN-Bright Tin Plating (70u")
 - ⑬ SN1-Bright Tin Plating (120u" Min).
 - ⑭ 0-No Plating Material
 - ⑮ SW-Fog Tin Plating
 - ⑯ HS-Hight temperature Tin
 - ⑰ Color : Blank-Natural Color ;

- Specifications :
- Voltage rating: 250V AC / DC
 - Current rating: 3A AC / DC
 - Withstanding voltage: 1000V AC/minute
 - Temperature range: -25°C~+85°C
 - Insulation resistance: ≥1000MΩ
 - Contact resistance: ≤10mΩ
 - After environmental testing: ≤20mΩ

| | | | | | | | | | | | |
|------------------------|--|-------------|--|---------|--|------|--|-------------|--|------|--|
| REVISIONS | | APPROVED | | REVISED | | DATE | | DESCRIPTION | | MARK | |
| UNSPECIFIED TOLERANCES | | L > 63 | | ± 0.5 | | | | | | △ X | |
| | | 16 < L ≤ 63 | | ± 0.4 | | | | | | △ X | |
| | | 4 < L ≤ 16 | | ± 0.3 | | | | | | △ X | |
| | | L ≤ 4 | | ± 0.2 | | | | | | △ X | |
| | | ANGULAR | | ± 5° | | | | | | | |

For and on behalf of
XKB INDUSTRIAL PRECISION CO., LIMITED
 香港星坤工業精密有限公司

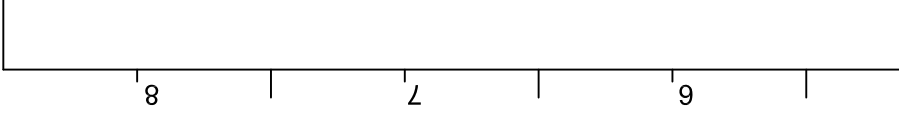
| | | | | | | | |
|-------|--|------|--|------------|--|--|--|
| DMSND | | DATE | | SCALE: N/A | | MODEL TYPE: X8821WR-XXK-N0SN | |
| DWN | | DATE | | VIEW: | | PART NO.: 2.50mm Crimp style Connector | |
| CHKD | | DATE | | UNIT: mm | | DWG NO.: | |
| APPD | | DATE | | SIZE: A4 | | | |

| | | | | | | | | | |
|------------------|--|-------------------|--|---------------|--|-------------|--|-----------------------|--|
| PART NO | | Material | | Material(Pin) | | Finish(Pin) | | Suitable XKB Terminal | |
| X8821WR-XXK-N0SN | | Nylon 66 UL 94V-0 | | Brass | | Tin-Plated | | X8821H | |
| X8821WR-XXK-N2SN | | Nylon 66 UL 94V2 | | Brass | | Tin-Plated | | X8821H | |

| Poles | Dimensions(mm) | | Poles | Dimensions(mm) | |
|-------|----------------|-------|-------|----------------|-------|
| | A | B | | A | B |
| 02 | 2.50 | 7.50 | 12 | 27.50 | 32.50 |
| 03 | 5.00 | 10.00 | 13 | 30.00 | 35.00 |
| 04 | 7.50 | 12.50 | 14 | 32.50 | 37.50 |
| 05 | 10.00 | 15.00 | 15 | 35.00 | 40.00 |
| 06 | 12.50 | 17.50 | 16 | 37.50 | 42.50 |
| 07 | 15.00 | 20.00 | 17 | 40.00 | 45.00 |
| 08 | 17.50 | 22.50 | 18 | 42.50 | 47.50 |
| 09 | 20.00 | 25.00 | 19 | 45.00 | 50.00 |
| 10 | 22.50 | 27.50 | 20 | 47.50 | 52.50 |
| 11 | 25.00 | 30.00 | | | |

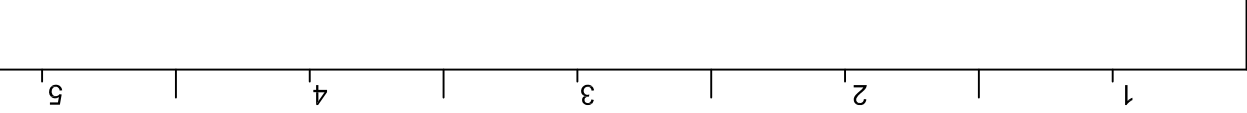
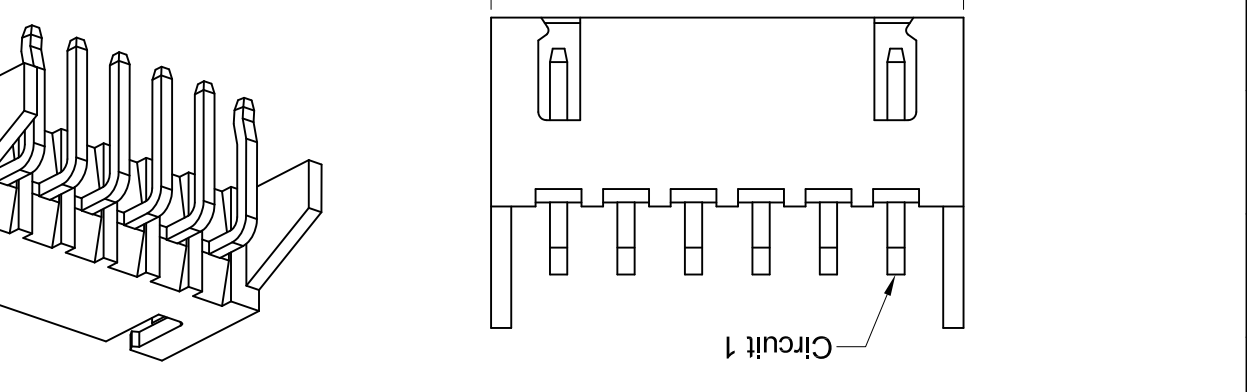
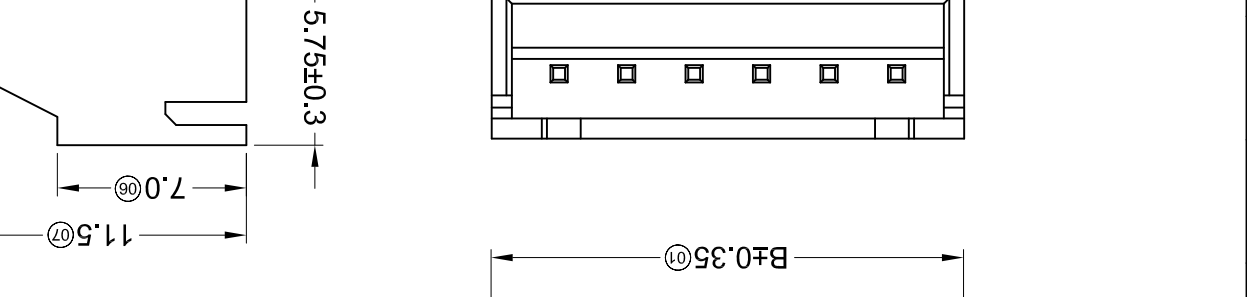
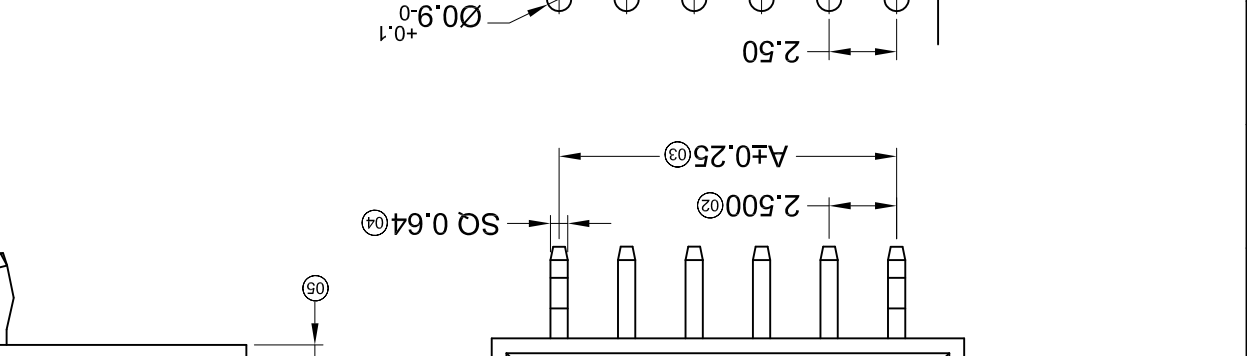
① Series No. X8821 W R X-XX K -N0 SN XX
 ② Category: W-WAFER
 ③ Welding Board Angle: R-Right Angle 90°
 ④ Welding Way: Blank-DIP;
 ⑤ Row No.-Pin No.: XX-Single Row;
 ⑥ Plug the Pin & Special No.: K-KINK
 ⑦ Material: N0-PA66 94V-0 N2-PA66 94V-2
 ⑧ Plating Category: SN-Bright Tin Plating
 ⑨ Color: Blank-Natural Color

■ Specifications:
 • Voltage rating: 250V AC / DC
 • Current rating: 3A AC / DC
 • Withstanding voltage: 1000V AC/minute
 • Temperature range: -25°C~+85°C
 • Insulation resistance: ≥1000MΩ
 • Contact resistance: ≤10mΩ
 • After environmental testing: ≤20mΩ



| | | | | | | | | | | | |
|------------------------|--|-------------|--|---------|--|------|--|-------------|--|------|--|
| REVISIONS | | APPROVED | | REVISED | | DATE | | DESCRIPTION | | MARK | |
| UNSPECIFIED TOLERANCES | | L > 63 | | ± 0.5 | | | | | | △ X | |
| | | 16 < L ≤ 63 | | ± 0.4 | | | | | | △ X | |
| | | 4 < L ≤ 16 | | ± 0.3 | | | | | | △ X | |
| | | L ≤ 4 | | ± 0.2 | | | | | | △ X | |
| | | ANGULAR | | ± 5° | | | | | | | |

Recommended P.C.B Layout
 General Tolerance ±0.05



香港星坤工業精密有限公司
KXB INDUSTRIAL PRECISION CO., LIMITED
For and on behalf of

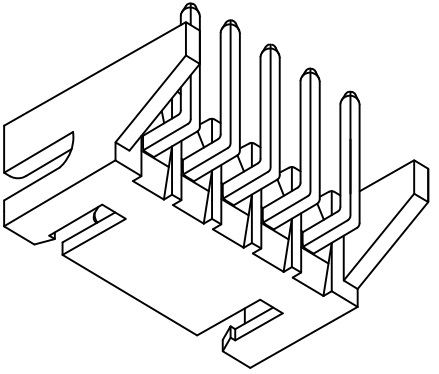
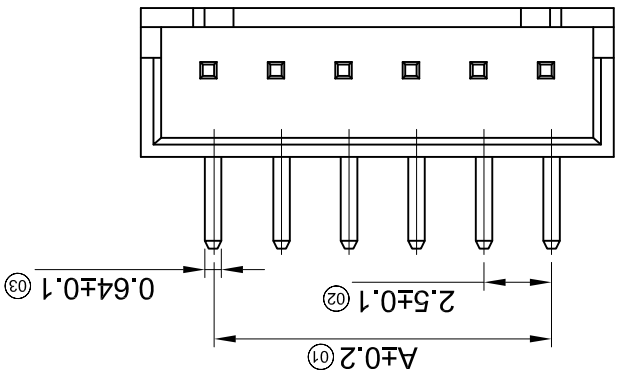
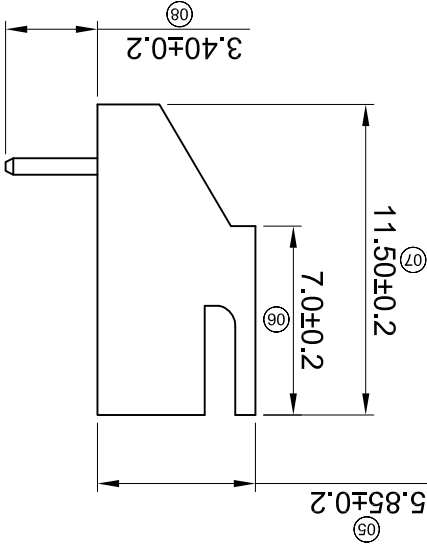
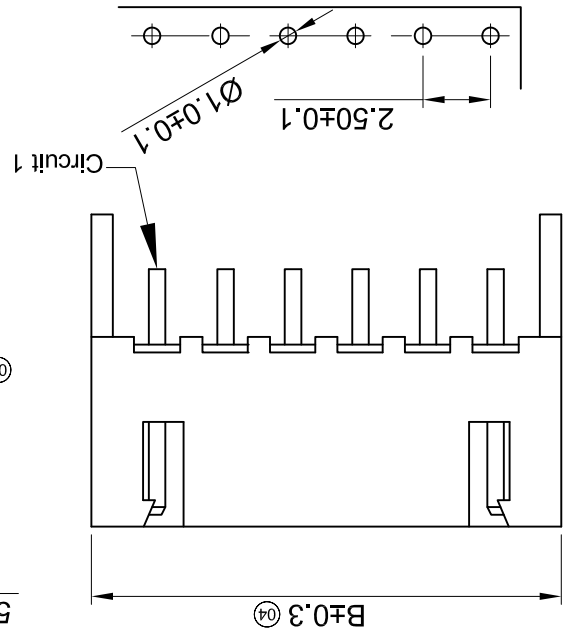
Authorized Signatures

| MARK | DESCRIPTION | DATE | REVISED | APPROVED | UNSPECIFIED TOLERANCES |
|------|-------------|------|---------|----------|------------------------|
| △X | | | | | L > 63 |
| △X | | | | | 16 < L ≤ 63 |
| △X | | | | | 4 < L ≤ 16 |
| | | | | | L ≤ 4 |
| | | | | | ANGULAR ±5° |

| REVISION | SHEET | WEIGHT | KXB INDUSTRIAL PRECISION CO., LIMITED | | | |
|----------|-------|--------|---------------------------------------|------------|-----------------------------|-------------------------------|
| A0 | 1/1 | 1.0g | DATE | DATE | DATE | DATE |
| | | | SIZE: A4 | UNIT: mm | PART NO.: | DWG NO.: |
| | | | VIEW: | SCALE: N/A | MODEL TYPE: X8821WR-XX-N0SN | 2.50 mm Crimp style Connector |

| PART NO | Material | Material(Pin) | Finish(Pin) | Suitable XKB Terminal |
|-------------------|-------------------|---------------|-------------|-----------------------|
| X8821WR-XX-N0SN | Nylon 66 UL 94V-0 | Brass | Tin-Plated | X8821H |
| X8821WR-XX-K-N2SN | Nylon 66 UL 94V2 | Brass | Tin-Plated | X8821H |

Recommend PCB Layout



- ① Series No.**
X8821 W R X-XX X -N0 SN XX
- ② Category:** W-WAFER
- ③ Welding Board Angle:** V-180° ; R-90°
- ④ Welding Way:** Blank-DIP ; S-SMT
- ⑤ Row No.-Pin No.:** XX-Single Row ; 2*XX-Double Row
- ⑥ Plug the Pin & Special No.:**
- ⑦ Material:** N0 -PA66 94V-0 N2-PA66 94V-2
- ⑧ Plating Category:** G**-Gold Plated Contact
V**- All Gold-Plated
01-Gold Flash 02-2u" 03-3u"
05-5u" 10-10u" 15-15u"
SN-Bright Tin Plating (70-120u")
SN-1 Bright Tin Plating (120u" Min).
0-No Plating Material
SW-Fog Tin Plating
HS-Hight temperature Tin
- ⑨ Color:** Blank-Natural Color ;

| Dimensions (mm) | A | B |
|-----------------|-------|-------|
| 02 | 2.50 | 7.50 |
| 03 | 5.00 | 10.00 |
| 04 | 7.50 | 12.50 |
| 05 | 10.00 | 15.00 |
| 06 | 12.50 | 17.50 |
| 07 | 15.00 | 20.00 |
| 08 | 17.50 | 22.50 |
| 09 | 20.00 | 25.00 |
| 10 | 22.50 | 27.50 |
| 11 | 25.00 | 30.00 |
| 12 | 27.50 | 32.50 |
| 13 | 30.00 | 35.00 |
| 14 | 32.50 | 37.50 |
| 15 | 35.00 | 40.00 |
| 16 | 37.50 | 42.50 |
| 17 | 40.00 | 45.00 |
| 18 | 42.50 | 47.50 |
| 19 | 45.00 | 50.00 |
| 20 | 47.50 | 52.50 |

- Specifications :**
- Voltage rating: 250V AC / DC
 - Current rating: 3A AC / DC
 - Withstanding voltage: 1000V AC/minute
 - Temperature range: -25°C~+85°C
 - Insulation resistance: ≥1000MΩ
 - Contact resistance: ≤10mΩ
 - After environmental testing: ≤20mΩ

For and on behalf of
XKB INDUSTRIAL PRECISION CO., LIMITED
 香港星坤工業精密有限公司

| MARK | DESCRIPTION | DATE | REVISIONS | UNSPECIFIED TOLERANCES |
|------|-------------|------|-----------|------------------------|
| △X | | | | L > 63 ±0.5 |
| △X | | | | 16 < L ≤ 63 ±0.4 |
| △X | | | | 4 < L ≤ 16 ±0.3 |
| △X | | | | L ≤ 4 ±0.2 |
| | | | | ANGULAR ±5° |

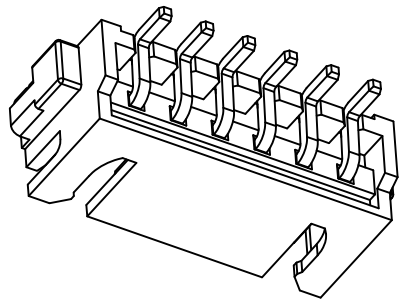
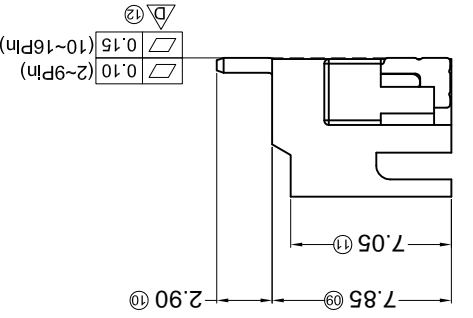
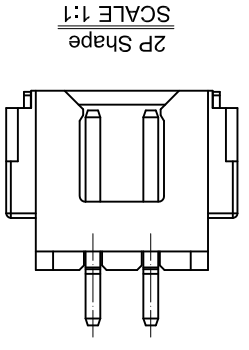
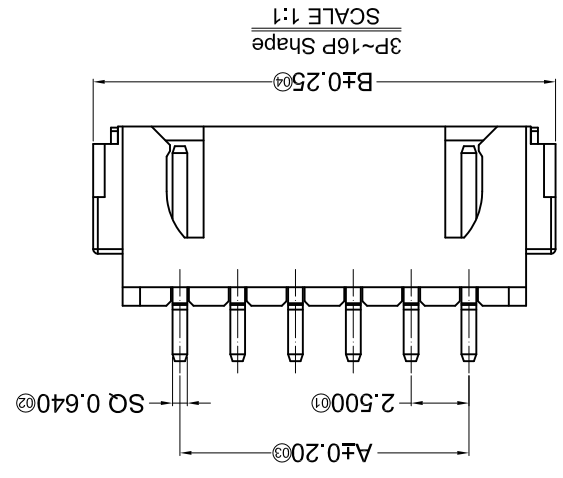
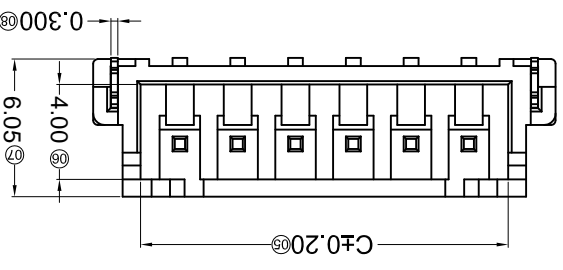
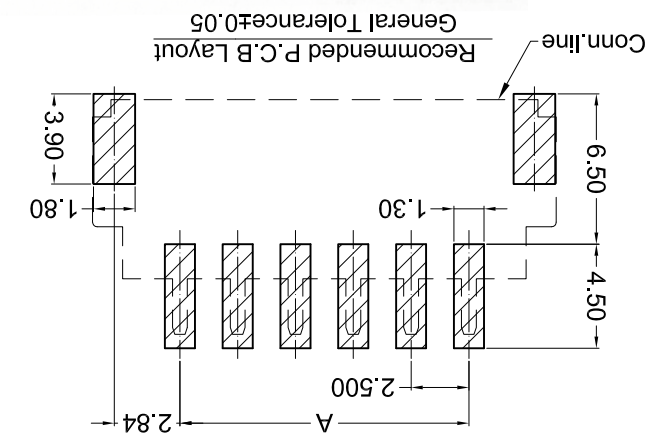
| REVISION | SHEET | WEIGHT | REVISION |
|----------|-------|--------|----------|
| A0 | 1/1 | 1.0g | |

| DATE | SCALE: N/A | MODEL TYPE: |
|------|------------|-------------------|
| | | X8821WRS-XX-9TXXX |

| DATE | VIEW: | PART NO.: |
|------|-------|-------------------|
| | VIEW: | X8821WRS-XX-9TXXX |

| DATE | UNIT: mm | DWG NO.: |
|------|----------|------------------------------|
| | | 2.50mm Crimp Style Connector |

| DATE | SIZE: A4 |
|------|----------|
| | |



| PART NO | Material | Solder (Pin and Tabs) | Finish (Pin) | Finish (Solder Tabs) | Suitable XKB Terminal |
|------------------|----------------|-----------------------|--------------|----------------------|-----------------------|
| X8821WRS-XX-9T01 | PA 9T UL 94V-0 | Brass | Tin-Plated | Tin-Plated | X8821H |
| X8821WRS-XX-9T5H | | | Gold Flash | Tin-Plated | |

| Poles | Dimensions (mm) | | |
|-------|-----------------|-------|-------|
| | A | B | C |
| 02 | 2.50 | 10.00 | 5.90 |
| 03 | 5.00 | 12.50 | 8.40 |
| 04 | 7.50 | 15.00 | 10.90 |
| 05 | 10.00 | 17.50 | 13.40 |
| 06 | 12.50 | 20.00 | 15.90 |
| 07 | 15.00 | 22.50 | 18.40 |
| 08 | 17.50 | 25.00 | 20.90 |
| 09 | 20.00 | 27.50 | 23.40 |

- ① Series No.
- ② Category: W-WAFER
- ③ Welding Board Angle: R-Right Angle 90°
- ④ Welding Way: S-SMT
- ⑤ Row No.-Pin No.: XX-02P~16P
- ⑥ Plug the Pin & Special No.:
- ⑦ Material: 9T -PA9T UL 94V-0
- ⑧ Plating Category: SN-Bright Tin Plating
- ⑨ Color : Blank-Natural Color

X8821 W R S-XX X-9T XX XX

- Specifications :
- Voltage rating: 250V AC / DC
 - Current rating: 3A AC / DC
 - Withstanding voltage: 1000V AC/minute
 - Temperature range: -25°C~+85°C
 - Insulation resistance: ≥1000MΩ
 - Contact resistance: ≤10mΩ
 - After environmental testing: ≤20mΩ

| MARK | DESCRIPTION | REVISIONS | | | UNSPECIFIED TOLERANCES | | |
|------|-------------|-----------|---------|----------|------------------------|-------------|------|
| | | DATE | REVISED | APPROVED | L > 63 | ±0.5 | |
| △X | | | | | | 16 < L ≤ 63 | ±0.4 |
| △X | | | | | | 4 < L ≤ 16 | ±0.3 |
| △X | | | | | | L ≤ 4 | ±0.2 |
| | | | | | | ANGULAR | ±5° |

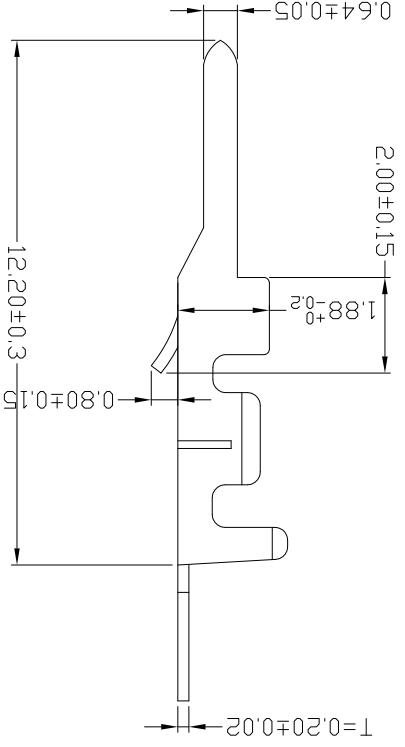
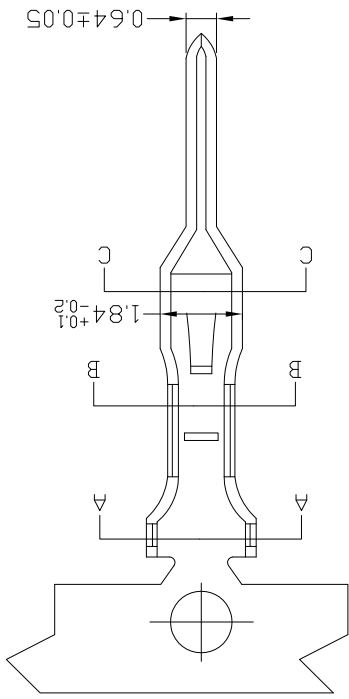
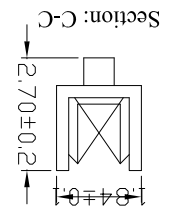
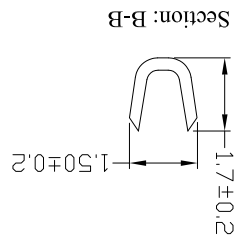
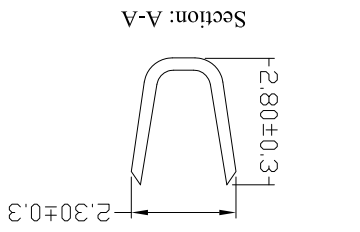
For and on behalf of
XKB INDUSTRIAL PRECISION CO., LIMITED
 香港星坤工業精密有限公司

Authorized Signature(s)

| DSND | DATE | SCALE: N/A | MODEL TYPE: |
|------|---|------------|---|
| DWN | DATE <td>VIEW: </td> <td>PART NO.: X8821TM-PSN</td> | VIEW: | PART NO.: X8821TM-PSN |
| CHKD | DATE <td>UNIT: mm</td> <td>DWG NO.: 2.50 mm Crimp Style connectors</td> | UNIT: mm | DWG NO.: 2.50 mm Crimp Style connectors |
| APPD | DATE <td>SIZE: A4</td> <td></td> | SIZE: A4 | |

| WEIGHT | SHEET | REVISION |
|--------|-------|----------|
| 1.0g | 1/1 | A0 |

| PART NO | Material | Wire Range | Insulation O.D. | Finish | Suitable XKB Terminal |
|-------------|-----------------|------------|-----------------|---|-----------------------|
| X8821TM-PSN | Phosphor Bronze | AWG#22-26 | 1.90mm(Max) | Stamping Before Plating:30-50u" Ni;70-120u"Sn | X8821HF |



X8821 T M-P SN X-X

- ① 系列
- ② 类别:
- ③ 外观形态:
- ④ 材质:
- ⑤ 电镀类别: G**-镀金 V**-镀全金
- ⑥ 电镀方式:
- ⑦ 型号/MARK及特殊码

- Voltage rating(额定电压): 250V AC / DC
 - Current rating(额定电流): 3A AC / DC
 - Withstanding voltage(耐压值): 1000V AC/minute
 - Temperature range(工作温度): -25°C~+85°C
 - Insulation resistance(绝缘电阻): ≥1000MΩ
 - Contact resistance(接触电阻): ≤10mΩ
 - After environmental testing(环境测试后): ≤20mΩ
- Specifications(规格):
- Voltage rating(额定电压): 250V AC / DC
 - Current rating(额定电流): 3A AC / DC
 - Withstanding voltage(耐压值): 1000V AC/minute
 - Temperature range(工作温度): -25°C~+85°C
 - Insulation resistance(绝缘电阻): ≥1000MΩ
 - Contact resistance(接触电阻): ≤10mΩ
 - After environmental testing(环境测试后): ≤20mΩ

- ⑤ 电镀类别: G**-镀金 V**-镀全金
- *01-Gold Flash *02-2U" *03-3U" *05-5U"
- *10-10U" *15-15U" *30-30U" *50-50U"
- SN-镀亮锡(70-120U") SN1-镀亮锡(120U"Min.)
- 0-素材 SW-镀雾锡
- ⑥ 电镀方式:
- 空码-先冲后镀 B-先镀后冲
- ⑦ 型号/MARK及特殊码

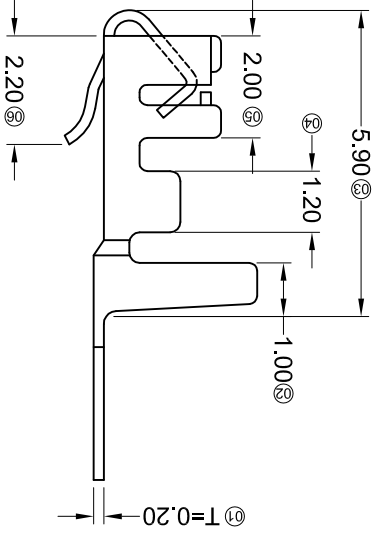
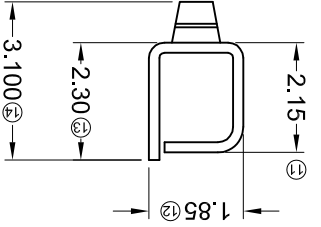
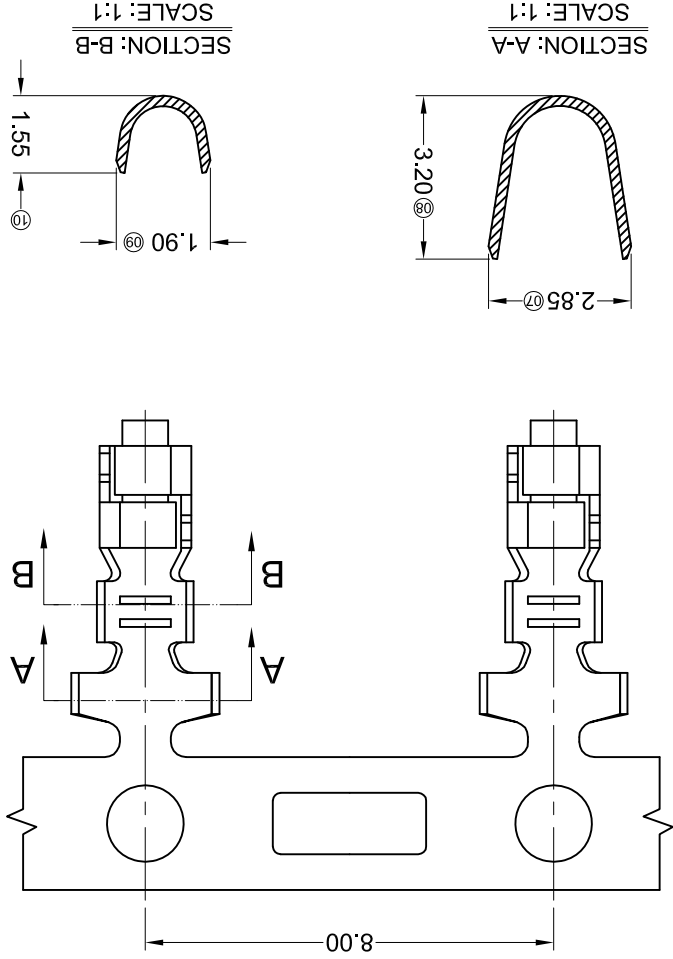
For and on behalf of
KXB INDUSTRIAL PRECISION CO., LIMITED
 香港星坤工業精密有限公司

Revisions Authorized Signatures(s)

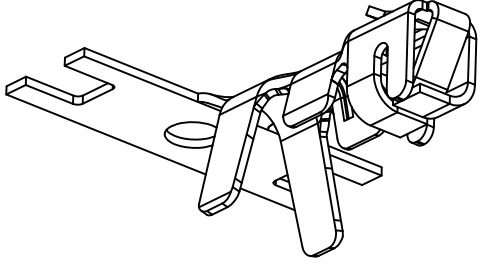
| MARK | DESCRIPTION | DATE | REVISED | APPROVED | UNSPECIFIED TOLERANCES |
|------|-------------|------|---------|----------|------------------------|
| △X | | | | | L > 63 ± 0.5 |
| △X | | | | | 16 < L ≤ 63 ± 0.4 |
| △X | | | | | 4 < L ≤ 16 ± 0.3 |
| | | | | | L ≤ 4 ± 0.2 |
| | | | | | ANGULAR ± 5° |

| REVISION | SHEET | WEIGHT | KXB INDUSTRIAL PRECISION CO., LIMITED | | | |
|----------|-------|--------|---------------------------------------|-------|--------------------------|----------------------------|
| A0 | 1/1 | 1.0g | DATE | DATE | DATE | DATE |
| | | | SCALE: N/A | VIEW: | PART NO.: X8821T-BSNB | MODEL TYPE: X8821T-BSNB |
| | | | UNIT: mm | DATE | DATE | DATE |
| | | | SIZE: A4 | DATE | DATE | DATE |
| | | | DWG NO.: | | | |

| PART NO | MATERIAL | WIRE RANGE | INSULATION O.D. | FINISH | Suitable KXB Terminal |
|-------------|-----------------|------------|-----------------|--|-----------------------|
| X8821T-BSN | Brass | AWG#22-26 | 1.90mm(Max) | Stamping Before Plating:30u" Ni:70u"Sn | X8821H |
| X8821T-BSNB | | | | Stamping Before Plating:10u" Ni:40u"Sn | |
| X8821T-PSNB | Phosphor Bronze | | | Stamping Before Plating:30u" Ni:70u"Sn | |
| X8821T-PSN | | | | Stamping Before Plating:10u" Ni:40u"Sn | |



- Specifications :
- Voltage rating: 250V AC / DC
 - Current rating: 3A AC / DC
 - Withstanding voltage: 1000V AC/minute
 - Temperature range: -25°C~+85°C
 - Insulation resistance: ≥1000MΩ
 - Contact resistance: ≤10mΩ
 - After environmental testing: ≤20mΩ
- X8821 T X-B SN X - X
- ① Series Number
 ② Category: T-terminal
 ③ Shape: Blank-ordinary
 ④ Material: B-Brass P-Phosphor bronze
 ⑤ Plating style: SN-Bright tin plating
 ⑥ Plating method: Blank-stamping before plating
 B-Plating before stamping
 ⑦ Mold No./Mark/Special No.



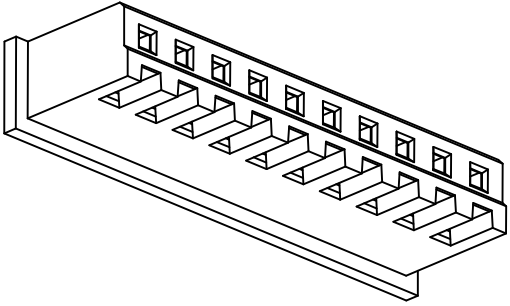
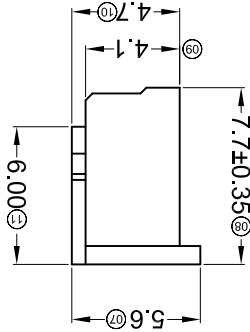
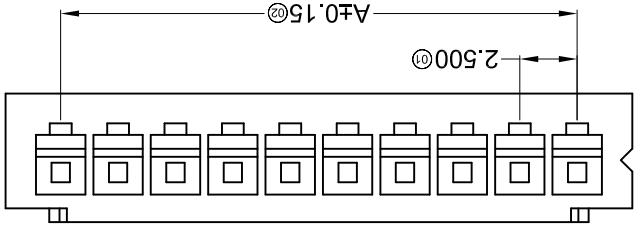
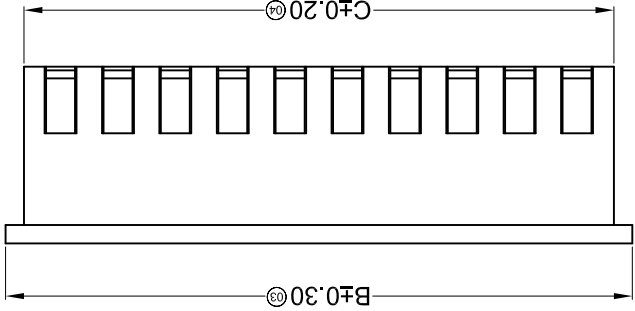
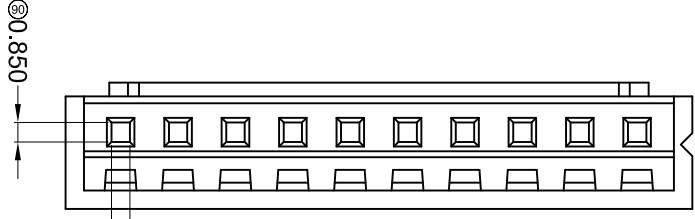
For and on behalf of
KKB INDUSTRIAL PRECISION CO., LIMITED
 香港星坤工業精密有限公司

Authorized Signature(s)

| MARK | DESCRIPTION | DATE | REVISED | APPROVED | UNSPECIFIED TOLERANCES |
|------|-------------|------|---------|----------|------------------------|
| △X | | | | | L > 63 ± 0.5 |
| △X | | | | | 16 < L ≤ 63 ± 0.4 |
| △X | | | | | 4 < L ≤ 16 ± 0.3 |
| | | | | | L ≤ 4 ± 0.2 |
| | | | | | ANGULAR ± 5° |

| REVISION | SHEET | WEIGHT | KKB INDUSTRIAL PRECISION CO., LIMITED | | | |
|----------|-------|--------|---------------------------------------|------|------|------|
| A0 | 1/1 | 1.0g | SIZE: A4 | DATE | DATE | DATE |
| | | | UNIT: mm | DATE | DATE | DATE |
| | | | VIEW: | DATE | DATE | DATE |
| | | | SCALE: N/A | DATE | DATE | DATE |
| | | | MODEL TYPE: X8821H-XX-N0 | | | |
| | | | PART NO.: X8821H-XX-N0 | | | |
| | | | 2.50mm Crimp style Connector | | | |
| | | | DWG NO.: | | | |

| PART NO | Material | Suitable XKB Terminal | Suitable XKB Terminal |
|--------------|-------------------|-----------------------|-----------------------|
| X8821H-XX-N0 | Nylon 66 UL 94V-0 | X8821T | X8821W, 8821HF |



| Poles | Dimensions(mm) | | |
|-------|----------------|-------|-------|
| | A | B | C |
| 02 | 2.50 | 7.30 | 5.70 |
| 03 | 5.00 | 9.80 | 8.20 |
| 04 | 7.50 | 12.30 | 10.70 |
| 05 | 10.00 | 14.80 | 13.20 |
| 06 | 12.50 | 17.30 | 15.70 |
| 07 | 15.00 | 19.80 | 18.20 |
| 08 | 17.50 | 22.30 | 20.70 |
| 09 | 20.00 | 24.80 | 23.20 |

- ① Series No.
- ② Category: H-HSG
- ③ Appearance type: Blank-Ordinary
- ④ Row No.-Pin No.: XX-Single Row
- ⑤ Plug the Pin & Special No. Blank-Ordinary
- ⑥ Material: N0-PA66 94V-0 N2-PA66 94V-2
- ⑦ Color: Blank : Natural Color

X8821 H X-XX X-N0 XX
 ① ② ③ ④ ⑤ ⑥ ⑦

- Voltage rating: 250V AC / DC
- Current rating: 3A AC / DC
- Withstanding voltage: 1000V AC/minute
- Temperature range: -25°C~+85°C
- Insulation resistance: ≥1000MΩ
- Contact resistance: ≤10mΩ
- After environmental testing: ≤20mΩ

■ Specifications :

X-ON Electronics

Largest Supplier of Electrical and Electronic Components

Click to view similar products for [Headers & Wire Housings](#) category:

Click to view products by [XKB](#) manufacturer:

Other Similar products are found below :

[95000-104TRLF](#) [10135584-644402LF](#) [DF62W-EP2022PCA](#) [95000-106TRLF](#) [DF62W-2022SCA](#) [DF62W-EP2022PC](#) [2203348](#) [DF62W-2022SC](#) [1084018](#) [1029039](#) [1084017](#) [802-10-012-10-002000](#) [1112640](#) [1112639](#) [891-007-9SS-BST1T](#) [000-34000](#) [0008550134](#) [0009482033](#) [0009507031](#) [57102-F02-18ULF](#) [57102-S06-03LF](#) [57202-S52-04LF](#) [PCN6-15S-2.5E](#) [0039019024](#) [58102-G61-06LF](#) [582553-1](#) [0009485154](#) [0009508121](#) [0022285053](#) [0050291907](#) [018731A](#) [LY20-4P-DT1-P1E-BR](#) [02.125.8002.8](#) [60101931](#) [60598-1 \(Cut Strip\)](#) [M1625-3R/100](#) [61062-3](#) [61082-181009](#) [CSU011177004](#) [636-1427](#) [638009-1](#) [641938-9](#) [641991-4](#) [644168-1](#) [644827-2](#) [647662-1](#) [65039-019ELF](#) [65692-001LF](#) [65781-018](#) [65781-047](#)