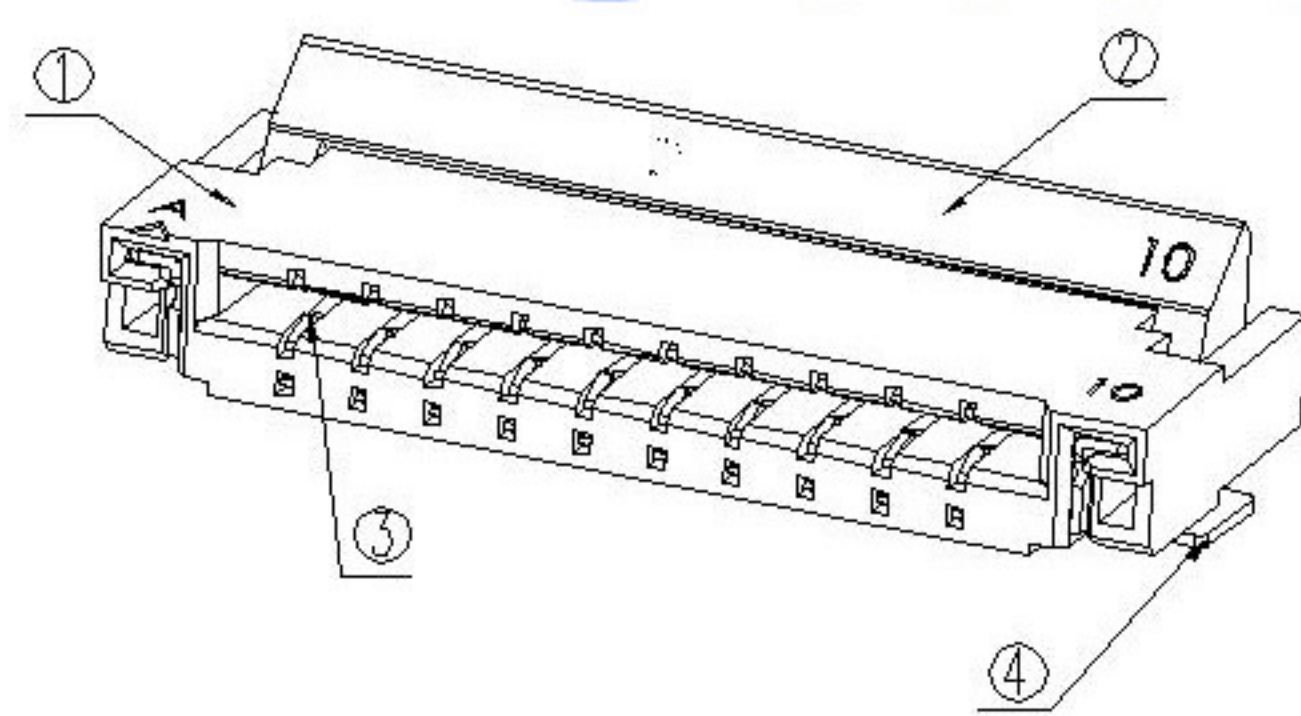
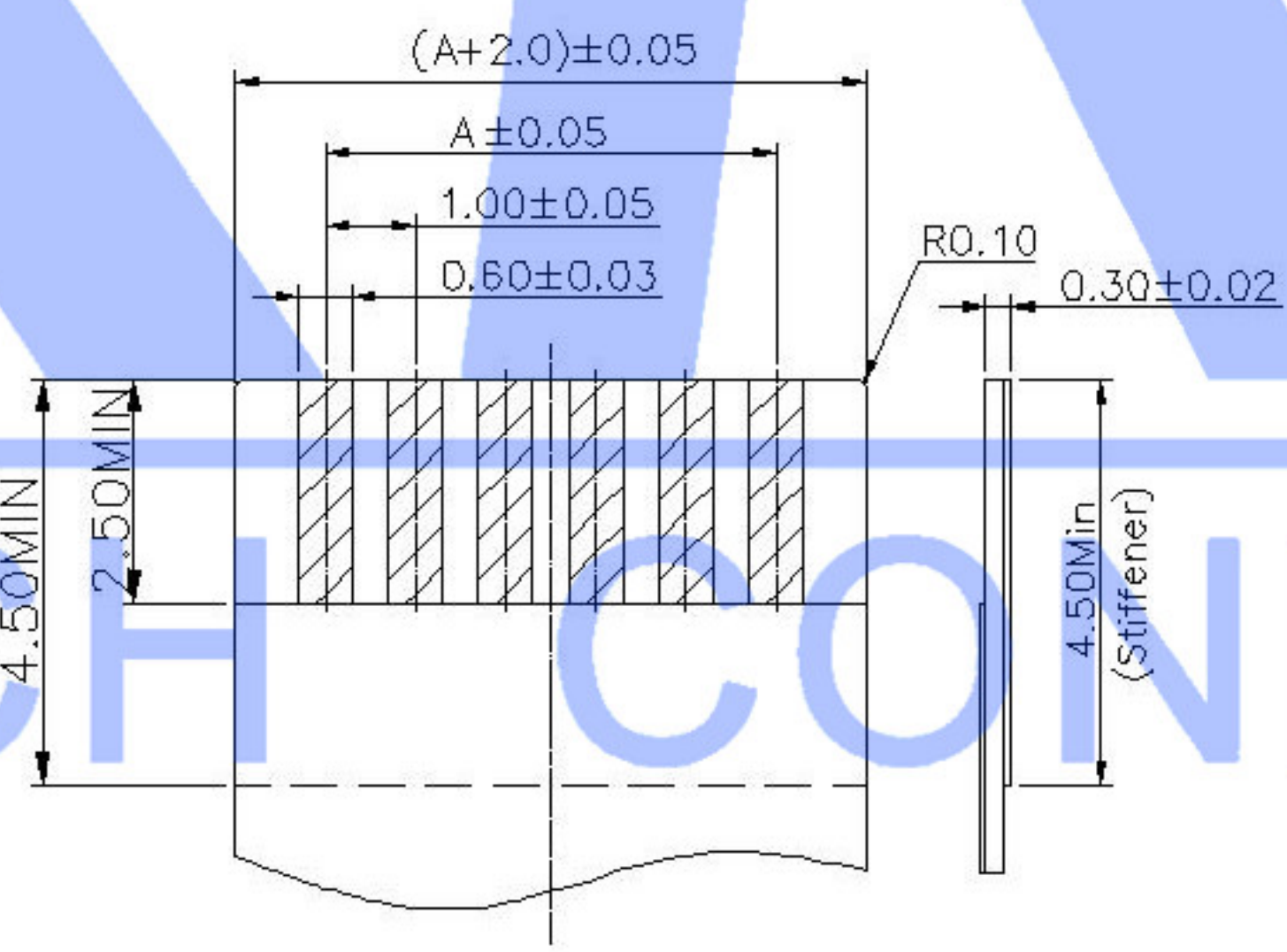
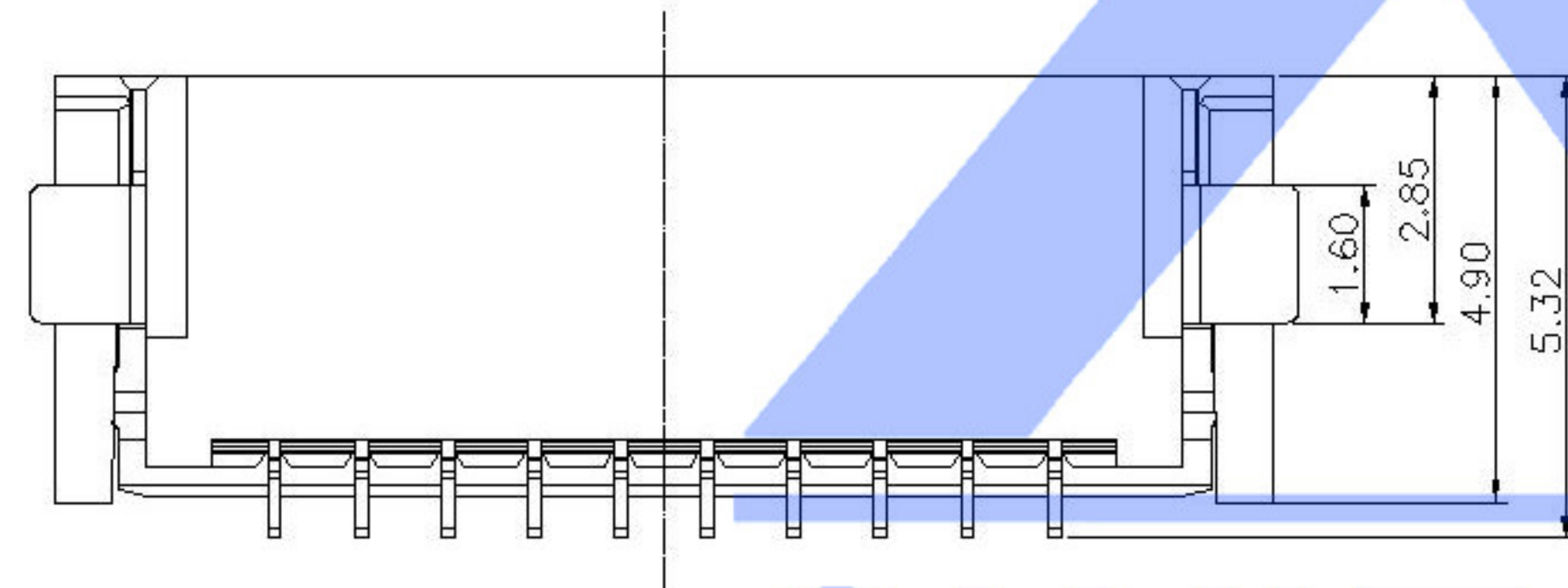


1. FPC NOT MATING CONDITION BANNED CLOSURE
2. PART NO. LEGEND:

X10A20 H XX X
① ② ③ ④

- ① Series Name : X10A20=1.0 mm Pitch(H=2.0mm)
- ② Assembly style : L.Low Contact SMT Type U.Upper Contact SMT Type
D.Double-Face Contact SMT Type H.Back-flip Double-Face Contact SMT Type
- ③ Number of terminals :XX=04-40PIN
- ④ Plating : G:Gold Flash Over Nickel T:Tin Over Nickel



Pin No.	P/N	DIM A	DIM B	DIM C	DIM D	DIM E	DIM F	DIM G
4		3.00	5.05	8.00	8.60	6.60	6.40	9.60
5		4.00	6.05	9.00	9.60	7.60	7.40	10.60
6		5.00	7.05	10.00	10.60	8.60	8.40	11.60
7		6.00	8.05	11.00	11.60	9.60	9.40	12.60
8		7.00	9.05	12.00	12.60	10.60	10.40	13.60
9		8.00	10.05	13.00	13.60	11.60	11.40	14.60
10		9.00	11.05	14.00	14.60	12.60	12.40	15.60
11		10.00	12.05	15.00	15.60	13.60	13.40	16.60
12		11.00	13.05	16.00	16.60	14.60	14.40	17.60
13		12.00	14.05	17.00	17.60	15.60	15.40	18.60
14		13.00	15.05	18.00	18.60	16.60	16.40	19.60
15		14.00	16.05	19.00	19.60	17.60	17.40	20.60
16		15.00	17.05	20.00	20.60	18.60	18.40	21.60
17		16.00	18.05	21.00	21.60	19.60	19.40	22.60
18		17.00	19.05	22.00	22.60	20.60	20.40	23.60
19		18.00	20.05	23.00	23.60	21.60	21.40	24.60
20		19.00	21.05	24.00	24.60	22.60	22.40	25.60
21		20.00	22.05	25.00	25.60	23.60	23.40	26.60
22		21.00	23.05	26.00	26.60	24.60	24.40	27.60
23		22.00	24.05	27.00	27.60	25.60	25.40	28.60
24		23.00	25.05	28.00	28.60	26.60	26.40	29.60
25		24.00	26.05	29.00	29.60	27.60	27.40	30.60
26		25.00	27.05	30.00	30.60	28.60	28.40	31.60
27		26.00	28.05	31.00	31.60	29.60	29.40	32.60
28		27.00	29.05	32.00	32.60	30.60	30.40	33.60
29		28.00	30.05	33.00	33.60	31.60	31.40	34.60
30		29.00	31.05	34.00	34.60	32.60	32.40	35.60
36		35.00	37.05	40.00	40.60	38.60	38.40	41.60
40		39.00	41.05	44.00	44.60	42.60	42.40	45.60

4	STATOR	BRASS		2
3	TERMINAL	PHOSPHOR BRONZE		POSITIONS
2	COVER	ERMOPLASTIC UL94V-0	BLACK	1
1	HOUSING	THERMOPLASTIC UL94V-0	NATURAL	1
NO	COMPONENTS	MATERIALS	FINISH/COLOR SPECIFICATION	QUANTITY

MARK	DESCRIPTION	DATE	REVISED	APPROVED	UNSPECIFIED TOLERANCES	DSND	DATE	SCALE: N/A	MODEL TYPE: FPC CONNECTOR		
ΔX					ANGLAR ±5°	DWN	DATE	VIEW:	PART NO.:		
ΔX					L ≤ 4 ±0.2	CHKD	DATE	UNIT: mm	DWG NO.:		
ΔX					4 < L ≤ 16 ±0.3	APPD	DATE	SIZE: A4	X10A20HXXX		
ΔX					16 < L ≤ 63 ±0.4	KXB INDUSTRIAL PRECISION CO.,LIMITED			WEIGHT	SHEET	REVISION
MARK					L > 63 ±0.5				1.0g	1/1	A0

X-ON Electronics

Largest Supplier of Electrical and Electronic Components

Click to view similar products for [FFC & FPC Connectors](#) category:

Click to view products by [XKB](#) manufacturer:

Other Similar products are found below :

[HFW11R-1STE1H1LF](#) [FH29B-100S-0.2SHW\(99\)](#) [FA5S008HP1](#) [FH29B-120S-0.2SHW\(99\)](#) [FH29B-80S-0.2SHW\(99\)](#) [FHS-16](#) [FPH-2022G](#)
[52610-1075](#) [52610-1275](#) [52610-1934](#) [XF3M\(1\)-1415-1B-R100](#) [501864-3091-TR225](#) [0525594033](#) [086210010340800](#) [086222026001800](#)
[52271-2869-CUT-TAPE](#) [62674-201121DLF](#) [62684-36210E9ALF](#) [52610-1675](#) [52746-1671-TR250](#) [10051922-2810EHLF](#) [6-520415-9](#)
[BD021-09A-A1-0350-0200-0550-LD](#) [SFV6R-1STE9HLF](#) [XF3M-2915-1B-R100](#) [1658549-1](#) [62674-221121ALF](#) [46214008010800](#)
[046298003000883](#) [151660622](#) [842-816-2630-035](#) [AYF530665TA](#) [AYF351525](#) [046296011930846+](#) [AYF352325A](#) [046254020000800+](#)
[FH19C-13S-0.5SH\(99\)](#) [FH39J-51S-0.3SHW\(99\)](#) [AYF355125A](#) [AYF530365TA](#) [FH29B-44S-0.2SHW\(99\)](#) [SFW5R-2STAE9LF](#) [AYF351125A](#)
[AYF350725A](#) [62684-502100AHLF](#) [FH39-61S-0.3SHW\(99\)](#) [AYF414035A](#) [10064555-172520HLF](#) [AYF212335A](#) [504754-2500](#)