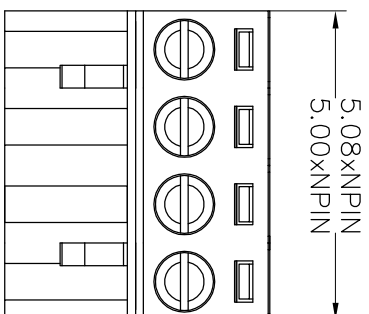


**SPECIFICATIONS**

Rated(额定参数): 300V,15A  
 Dielectric strength(抗电强度): AC2000V/1 Minute  
 Insulation Resistance(绝缘电阻):1000MΩ Min  
 Contact Resistance(接触电阻):20mΩ Max  
 Screw Torque(扭矩): 0.4Nm (3.5Lb.in)  
 Wire Range(线径):28~12AWG  
 Strip length(剥线长度):7~8mm  
 Temp. range(操作温度): -40℃~+105℃  
 MAX Soldering(瞬时温度):+250℃,5s



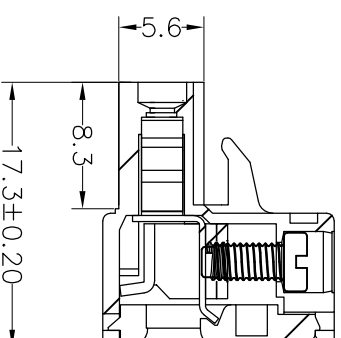
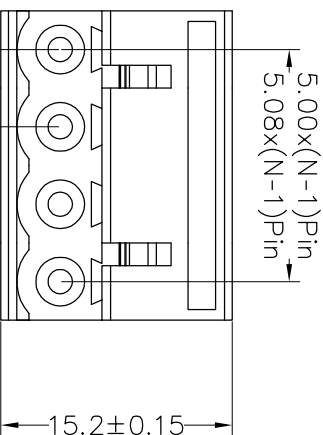
Housing Material(塑件): PA66 (UL94 V-0)  
 Contact(端子): Phosphor Bronze, Tin plating(磷铜镀锡)  
 Clamp(方块): Brass/Steel(铜/铁), Ni plating(镀镍)  
 Screw (螺丝): Steel, Zinc plating(钢,镀锌)

PITCH RANGE IN MM	NOMINAL DIMENSION RANGE				
	OVER	OVER	OVER	OVER	OVER
TO 6	10 TO 10	30 TO 30	60 TO 60	100 TO 100	150 TO 150
TO 10	24 TO 24	60 TO 60	100 TO 100	150 TO 150	150 TO 150
±0.10	±0.15	±0.25	±0.30	±0.50	±0.70
					±1.00

**Ordering Information**

**JL2EDGK - XXX XX G X 1**

Pitch  
 500=5.00PH  
 508=5.08PH  
 No.of pins  
 2P~24P  
 Housing Color  
 B=Black  
 G=Green  
 U=Blue  
 R=Red  
 W=White  
 Y=Yellow  
 O=Orange  
 E=Grey  
 Pocking  
 0=Pe bog  
 A=Troy  
 T=Tube



REV	DATE	MODIFICATION DESCRIPTION	CHANGE	DIM	TOL	APPROVE	SCALE	FIT	PROU.	PART NO.	TITLE:
A0	2017.01.05	NEW DRAWING		X:XXX	±0.10	CHECK	mm	A4	1/1	JL2EDGK-XXXXXXG1	5.00/5.08 Pitch Female Pluggable Terminal Blocks
1			4	Angle	±3°	APPROVE					

**JIN** 深圳市锦凌电子有限公司  
 SHENZHEN JINLING ELECTRONIC CO.,LTD  
 Tel: 86-755-2997-5806/5802 Fax: 86-755-2997-5992

## X-ON Electronics

Largest Supplier of Electrical and Electronic Components

*Click to view similar products for [Pluggable Terminal Blocks](#) category:*

*Click to view products by [JILN](#) manufacturer:*

Other Similar products are found below :

[57.404.7553](#) [57.504.0053.7](#) [57.510.0053](#) [57.910.6153](#) [01.112.1453](#) [CTB932VE/6](#) [MC 1.5/ 6-ST-3.5 GY AU](#) [ET02015000J0G](#) [734-104](#) [734-302](#) [734-304](#) [8-141-P](#) [FKCT 2.5/ 3-ST KMGY](#) [860505](#) [860508](#) [860516](#) [860810](#) [861908](#) [GBPACX-12](#) [93.731.4953.0](#) [PV05-5,08-K](#) [PVP02-5,00](#) [PVP04-3,50](#) [PVS02-5,00](#) [1-1986160-3](#) [H-10](#) [1546228-5](#) [ELFH09150](#) [ELFH16150](#) [ELFP03110](#) [ELFT06250](#) [ELFT07250](#) [ELVF09400](#) [ELVP03100](#) [ELXH03100](#) [ELXH071G0E](#) [ELXP041G0](#) [ELXT046G0](#) [1700101](#) [1700410](#) [1700425](#) [1703176](#) [1703243](#) [1705229](#) [1710175](#) [1714537](#) [1717806](#) [1719600](#) [1728941](#) [1729386](#)