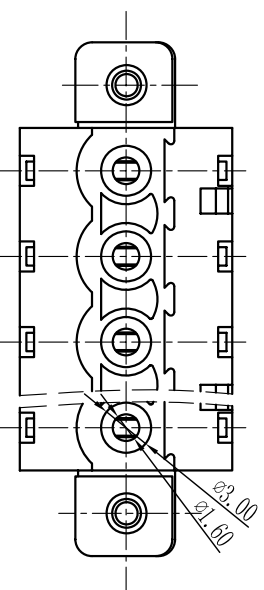
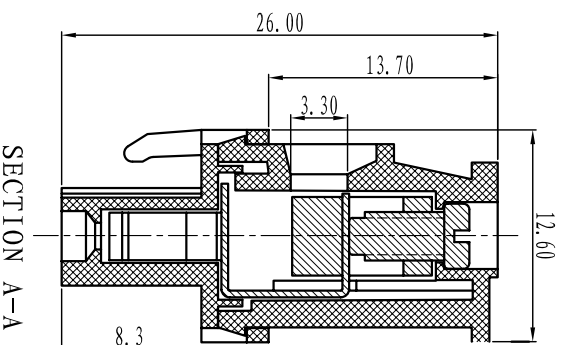
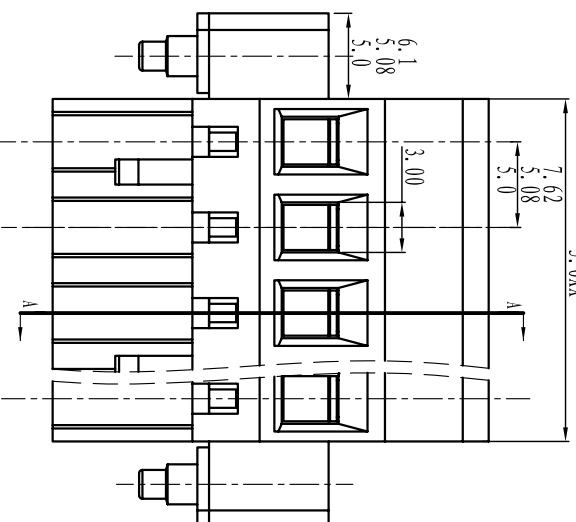




Cixi Dibo Electronics Co., LTD

产品规格书
product specification

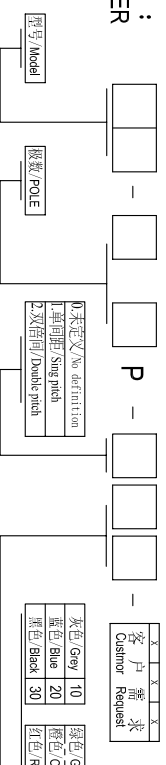
7.62XX-1.8
5.08XX
5.0XX



TOLERANCES EXCEPT AS NOTED

	linear dimension	fillet	chamfer	short angle sid	≡	—	□	//	⊥
Variable range	6 to 6 30 to 30 120 to 120 480 to 480	all to 6	over 6 to 6	over 10 to 10 50 to 50 120 to 120	all to 5	over 5 to 5 30 to 30 120 to 120	over 5 to 5 30 to 30 120 to 120	over 120 to 120	
tolerance	±0.1 to ±0.2 ±0.3 to ±0.5 ±0.5 to ±0.9	±0.2 to ±0.5	±0.5 to ±1	1° to 10° 30' to 20'	0.5 to 0.025	0.025 to 0.06	0.06 to 0.12	0.4	

订购方式：
HOW TO ORDER



单位/UNITS mm 尺寸/SIZE A4 比例/SCALE

Cixi Dibo Electronics Co., LTD

第一视角 / FIRST ANGLE PROJECTION



名称/NAME

DB2EKAM-5.0/5.08

电气性能/Electrical

参考标准/Standard: UL IEC

额定电压/Rated voltage: 300V 320V

额定电流/Rated current: 15A 20A

接触电阻/Contact resistance: 20mΩ

使用线径/Wire range: 28-14AWG 2.5mm²

耐电压/Withstanding voltage: AC2000V/1Min

绝缘电阻/Insulation resistance: 500MΩ/DC500V

机械性能/Mechanical

温度范围/Temp Range: -40°C~+105°C

扭矩/Torque: 0.5Nm (4.5lb·in)

剥线长度/Strip length: 7-8mm

尺寸/Dimensions

间距/Pitch: 5.0mm, 5.08mm, 7.62mm

极数/Poles: 02P-24P

材质及电镀/Material

塑件/Housing: PA66, UL94V-0

螺丝/Screws: M3 steel Zinc plated

夹子/Clamp: Brass, Ni plated

方块/wire guard: Phosphor bronze, Ni plated

X-ON Electronics

Largest Supplier of Electrical and Electronic Components

Click to view similar products for [Pluggable Terminal Blocks](#) category:

Click to view products by [DIBO](#) manufacturer:

Other Similar products are found below :

[57.404.7553](#) [57.504.0053.7](#) [57.510.0053](#) [57.910.6153](#) [01.112.1453](#) [CTB932VE/6](#) [MC 1.5/ 6-ST-3.5 GY AU](#) [ET02015000J0G](#) [734-104](#) [734-302](#) [734-304](#) [8-141-P](#) [FKCT 2.5/ 3-ST KMGY](#) [860505](#) [860508](#) [860516](#) [860810](#) [861908](#) [GBPACX-12](#) [93.731.4953.0](#) [PV05-5,08-K](#) [PVP02-5,00](#) [PVP04-3,50](#) [PVS02-5,00](#) [1-1986160-3](#) [H-10](#) [1546228-5](#) [ELFH09150](#) [ELFH16150](#) [ELFP03110](#) [ELFT06250](#) [ELFT07250](#) [ELVF09400](#) [ELVP03100](#) [ELXH03100](#) [ELXH071G0E](#) [ELXP041G0](#) [ELXT046G0](#) [1700101](#) [1700410](#) [1700425](#) [1703176](#) [1703243](#) [1705229](#) [1710175](#) [1714537](#) [1717806](#) [1719600](#) [1728941](#) [1729386](#)