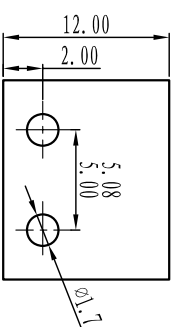
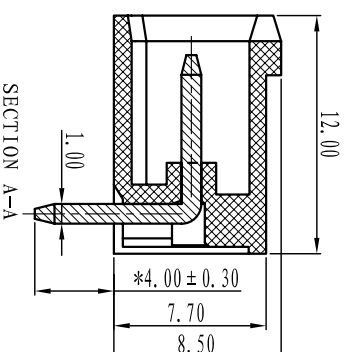
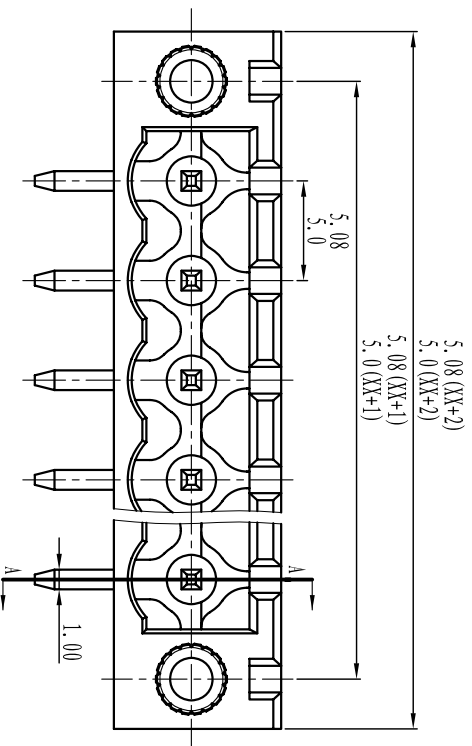




# Cixi Dibo Electronics Co., LTD

产品规格书  
product specification



### 电气性能/Electrical

参考标准/Standard: UL IEC  
 额定电压/Rated voltage: 300V 320V  
 额定电流/Rated current: 15A 20A  
 接触电阻/Contact resistance: 20m $\Omega$

耐电压/Withstanding voltage: AC2000V/1Min

绝缘电阻/Insulation resistance: 500M $\Omega$ /DC500V

### 机械性能/Mechanical

温度范围/Temp.Range: -40 $^{\circ}$ C~+105 $^{\circ}$ C

瞬间温度/MAX Soldering: +250 $^{\circ}$ C, for 5 Sec

### 尺寸/Dimensions

间距/Pitch: 5.00mm, 5.08mm

极数/Poles: 2P-24P

### 材质及电镀/Material

塑件/Housing: PA66, UL94V-0

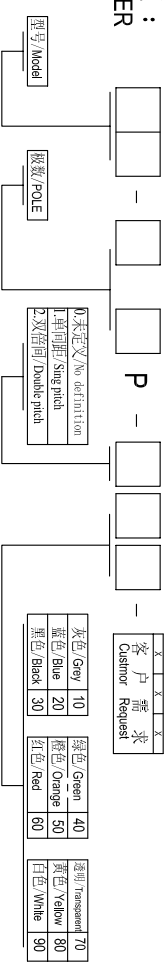
焊针/Pin header: Brass, Tin plated

螺母/Nut: M2.5 Brass

### TOLERANCES EXCEPT AS NOTED

	linear dimension	fillet	chamfer	$\nabla$ short angle sid	$\equiv$	$\square$	$\parallel$	$\perp$
variable range	over 6 to 30	over 30 to 120	over 120 to 480	all to 6	over 6 to 10	over 10 to 50	over 50 to 120	all to 5
tolerance	$\pm 0.1$	$\pm 0.2$	$\pm 0.3$	$\pm 0.5$	$\pm 0.2$	$\pm 0.5$	$\pm 1$	$1^{\circ}$
	over 30 to 120	over 120 to 480	over 480 to 1200	all to 6	over 6 to 10	over 10 to 50	over 50 to 120	all to 5
	$\pm 0.2$	$\pm 0.3$	$\pm 0.5$	$\pm 0.2$	$\pm 0.5$	$\pm 1$	$1^{\circ}$	$30^{\circ}$
	over 30 to 120	over 120 to 480	over 480 to 1200	all to 5	over 5 to 10	over 10 to 50	over 50 to 120	all to 0.5
	$\pm 0.2$	$\pm 0.3$	$\pm 0.5$	$\pm 0.2$	$\pm 0.5$	$\pm 1$	$1^{\circ}$	$30^{\circ}$
	over 30 to 120	over 120 to 480	over 480 to 1200	all to 5	over 5 to 10	over 10 to 50	over 50 to 120	all to 0.025
	$\pm 0.2$	$\pm 0.3$	$\pm 0.5$	$\pm 0.2$	$\pm 0.5$	$\pm 1$	$1^{\circ}$	$30^{\circ}$
	over 30 to 120	over 120 to 480	over 480 to 1200	all to 5	over 5 to 10	over 10 to 50	over 50 to 120	all to 0.06
	$\pm 0.2$	$\pm 0.3$	$\pm 0.5$	$\pm 0.2$	$\pm 0.5$	$\pm 1$	$1^{\circ}$	$30^{\circ}$
	over 30 to 120	over 120 to 480	over 480 to 1200	all to 5	over 5 to 10	over 10 to 50	over 50 to 120	all to 0.12
	$\pm 0.2$	$\pm 0.3$	$\pm 0.5$	$\pm 0.2$	$\pm 0.5$	$\pm 1$	$1^{\circ}$	$30^{\circ}$
	over 30 to 120	over 120 to 480	over 480 to 1200	all to 5	over 5 to 10	over 10 to 50	over 50 to 120	all to 0.4
	$\pm 0.2$	$\pm 0.3$	$\pm 0.5$	$\pm 0.2$	$\pm 0.5$	$\pm 1$	$1^{\circ}$	$30^{\circ}$

### 订购方式 : HOW TO ORDER



单位/UNITS mm 尺寸/SIZE A4 比例/SCALE

**Cixi Dibo Electronics Co., LTD**

名称/NAME DB2ERM-5.08 5.0



## X-ON Electronics

Largest Supplier of Electrical and Electronic Components

*Click to view similar products for [Pluggable Terminal Blocks](#) category:*

*Click to view products by [DIBO](#) manufacturer:*

Other Similar products are found below :

[57.404.7553](#) [57.504.0053.7](#) [57.510.0053](#) [57.910.6153](#) [01.112.1453](#) [CTB932VE/6](#) [MC 1.5/ 6-ST-3.5 GY AU](#) [ET02015000J0G](#) [734-104](#) [734-302](#) [734-304](#) [8-141-P](#) [FKCT 2.5/ 3-ST KMGY](#) [860505](#) [860508](#) [860516](#) [860810](#) [861908](#) [GBPACX-12](#) [93.731.4953.0](#) [PV05-5,08-K](#) [PVP02-5,00](#) [PVP04-3,50](#) [PVS02-5,00](#) [1-1986160-3](#) [H-10](#) [1546228-5](#) [ELFH09150](#) [ELFH16150](#) [ELFP03110](#) [ELFT06250](#) [ELFT07250](#) [ELVF09400](#) [ELVP03100](#) [ELXH03100](#) [ELXH071G0E](#) [ELXP041G0](#) [ELXT046G0](#) [1700101](#) [1700410](#) [1700425](#) [1703176](#) [1703243](#) [1705229](#) [1710175](#) [1714537](#) [1717806](#) [1719600](#) [1728941](#) [1729386](#)