

DORABO[®] Cixi Dibo Electronics Co., LTD

产品规格书
product specification

电气性能/Electrical

参考标准/Standard: UL IEC
 额定电压/Rated voltage: 300V 250V
 额定电流/Rated current: 8A 10A
 接触电阻/Contact resistance: 20m Ω

耐电压/Withstanding voltage: AC2000V/1Min

绝缘电阻/Insulation resistance: 500M Ω /DC500V

机械性能/Mechanical

温度范围/Temp.Range: -40 $^{\circ}$ C \sim +105 $^{\circ}$ C

瞬间温度/MAX Soldering: +250 $^{\circ}$ C, for 5 Sec

尺寸/Dimensions

间距/Pitch: 3.81mm/3.50mm

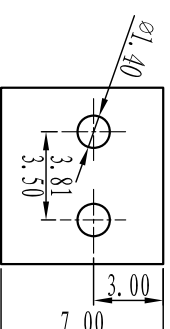
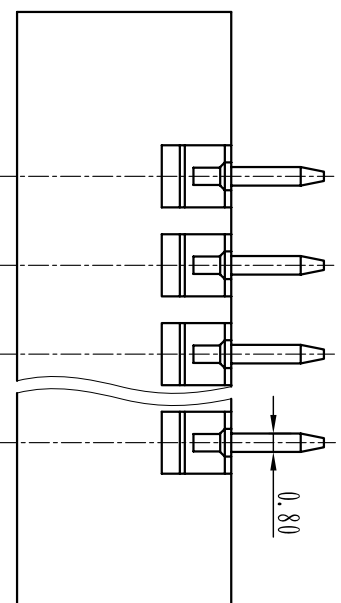
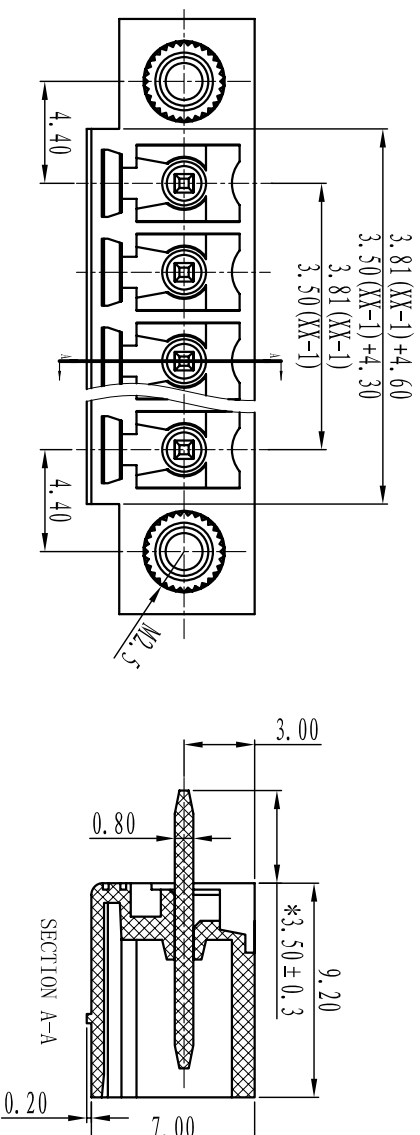
极数/Poles: 2P-24P

材质及电镀/Material

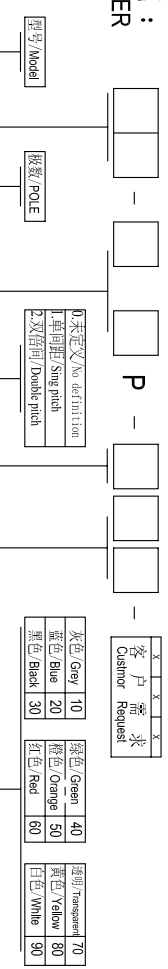
螺母/Nut: M2.5, Brass

焊针/Pin header: Brass, Tin plated

塑件/Housing: PA66, UL94V-0



订购方式: HOW TO ORDER



TOLERANCES EXCEPT AS NOTED

| | linear dimension | fillet | chamfer | short angle sid | ≡ | — | ∕ | ⊥ |
|----------------|------------------|----------------|-----------------|-----------------|-------------------------------|--------------------------------|---------------|----------------|
| variable range | over 6 to 30 | over 30 to 120 | over 120 to 480 | over 480 to 120 | all to 6 | over 6 to 10 | over 10 to 50 | over 50 to 120 |
| tolerance | ±0.1 to ±0.2 | ±0.3 to ±0.5 | ±0.9 to ±0.2 | ±0.5 to ±1 | 1 $^{\circ}$ to 30 $^{\circ}$ | 20 $^{\circ}$ to 10 $^{\circ}$ | 0.5 to 0.025 | 0.06 to 0.12 |

| 单位/UNITS | mm | 尺寸/SIZE | A4 | 比例/SCALE | 名称/NAME |
|--------------------------------|----|---------|----|----------|-----------------|
| Cixi Dibo Electronics Co., LTD | | | | | DB2EVM-3.5 3.81 |

第一视角/FIRST ANGLE PROJECTION



X-ON Electronics

Largest Supplier of Electrical and Electronic Components

Click to view similar products for [Pluggable Terminal Blocks](#) category:

Click to view products by [DIBO](#) manufacturer:

Other Similar products are found below :

[57.404.7553](#) [57.504.0053.7](#) [57.510.0053](#) [57.910.6153](#) [01.112.1453](#) [CTB932VE/6](#) [MC 1.5/ 6-ST-3.5 GY AU](#) [ET02015000J0G](#) [734-104](#) [734-302](#) [734-304](#) [8-141-P](#) [FKCT 2.5/ 3-ST KMGY](#) [860505](#) [860508](#) [860516](#) [860810](#) [861908](#) [GBPACX-12](#) [93.731.4953.0](#) [PV05-5,08-K](#) [PVP02-5,00](#) [PVP04-3,50](#) [PVS02-5,00](#) [1-1986160-3](#) [H-10](#) [1546228-5](#) [ELFH09150](#) [ELFH16150](#) [ELFP03110](#) [ELFT06250](#) [ELFT07250](#) [ELVF09400](#) [ELVP03100](#) [ELXH03100](#) [ELXH071G0E](#) [ELXP041G0](#) [ELXT046G0](#) [1700101](#) [1700410](#) [1700425](#) [1703176](#) [1703243](#) [1705229](#) [1710175](#) [1714537](#) [1717806](#) [1719600](#) [1728941](#) [1729386](#)