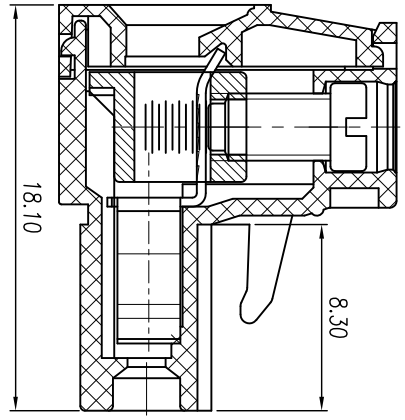
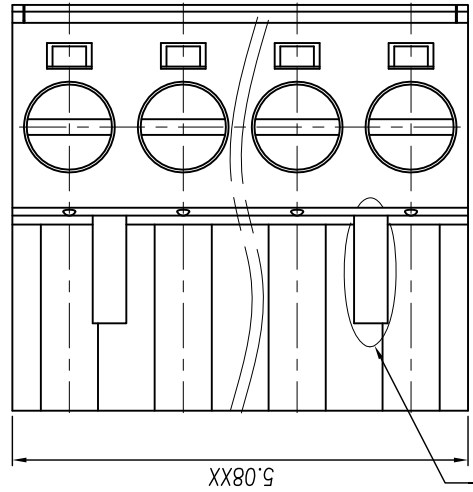
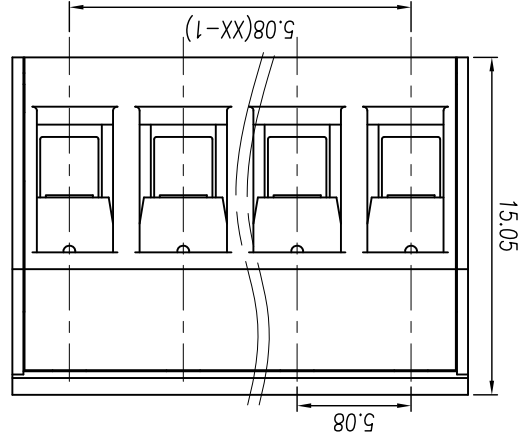


# 慈溪市地博电子有限公司 Cixi Dibo Electronics Co., LTD

产品规格书  
THE SPEC SHEET



电气性能/Electrical  
参考标准/Standard  
额定电压/Rated voltage  
300V  
15A  
17.5A  
额定电流/Rated current  
接触电阻/Contact resistance  
20mΩ  
绝缘电阻/Insulation resistance  
500MΩ/DC500V  
28~14AWG 1.5mm<sup>2</sup>  
AC 2000V/1 Min  
机械性能/Mechanical  
最大扭矩/Torque(Max)  
0.5Nm(4.5Lb.in)  
温度范围/Temp.Range  
-40°C~+105°C  
尺寸/Dimensions  
间距/Pitch  
5.08mm  
极数/Poles  
2~24p  
材质及电镀/Material  
塑料/Housing  
螺丝/Screws  
M3.0 Steel, Zn plated  
夹子/Clamp  
方块/Wire guard  
Phosphor bronze, Ni plated  
Brass, Ni plated

|                                |    |         |    |          |     |     |            |
|--------------------------------|----|---------|----|----------|-----|-----|------------|
| 单位/UNITS                       | mm | 尺寸/SIZE | A4 | 比例/SCALE | 3:1 | 名称/ | DB2EK-5.08 |
| 第三视角/THIRD ANGLE PROJECTION    |    |         |    |          |     |     | TITLE      |
| Cixi Dibo Electronics Co., LTD |    |         |    |          |     |     |            |

|   |        |          |          |          |          |          |            |            |            |            |        |        |          |          |            |         |
|---|--------|----------|----------|----------|----------|----------|------------|------------|------------|------------|--------|--------|----------|----------|------------|---------|
| tolerance   | ±0.1   | ±0.14    | ±0.19    | ±0.25    | ±0.32    | ±0.43    | ±0.57      | ±0.72      | ±0.88      | ±1.05      | ±1.25  | 0.5    | 0.025    | 0.06     | 0.12       | 0.4     |
| variable range  | 6 to 6 | 10 to 10 | 18 to 18 | 30 to 30 | 50 to 50 | 80 to 80 | 120 to 120 | 160 to 160 | 200 to 200 | 250 to 250 | all to | 5 to 5 | 30 to 30 | 50 to 50 | 120 to 120 | over to |
| linear dimension(Tolerances Standard GB/T 14486-2008) |        |          |          |          |          |          |            |            |            |            |        |        |          |          |            |         |
| ≡ // ⊥  |        |          |          |          |          |          |            |            |            |            |        |        |          |          |            |         |

## X-ON Electronics

Largest Supplier of Electrical and Electronic Components

*Click to view similar products for [Pluggable Terminal Blocks](#) category:*

*Click to view products by [DIBO](#) manufacturer:*

Other Similar products are found below :

[57.404.7553](#) [57.504.0053.7](#) [57.510.0053](#) [57.910.6153](#) [01.112.1453](#) [CTB932VE/6](#) [MC 1.5/ 6-ST-3.5 GY AU](#) [ET02015000J0G](#) [734-104](#) [734-302](#) [734-304](#) [8-141-P](#) [FKCT 2.5/ 3-ST KMGY](#) [860505](#) [860508](#) [860516](#) [860810](#) [861908](#) [GBPACX-12](#) [93.731.4953.0](#) [PV05-5,08-K](#) [PVP02-5,00](#) [PVP04-3,50](#) [PVS02-5,00](#) [1-1986160-3](#) [H-10](#) [1546228-5](#) [ELFH09150](#) [ELFH16150](#) [ELFP03110](#) [ELFT06250](#) [ELFT07250](#) [ELVF09400](#) [ELVP03100](#) [ELXH03100](#) [ELXH071G0E](#) [ELXP041G0](#) [ELXT046G0](#) [1700101](#) [1700410](#) [1700425](#) [1703176](#) [1703243](#) [1705229](#) [1710175](#) [1714537](#) [1717806](#) [1719600](#) [1728941](#) [1729386](#)