



# Cixi Dibo Electronics Co., LTD

产品规格书  
product specification

## 电气性能/Electrical

参考标准/Standard: UL IEC  
 额定电压/Rated voltage: 300V 250V  
 额定电流/Rated current: 8A 10A  
 接触电阻/Contact resistance: 20m $\Omega$

耐电压/Withstanding voltage: AC2000V/1Min

绝缘电阻/Insulation resistance: 500M $\Omega$ /DC500V

## 机械性能/Mechanical

温度范围/Temp.Range: -40 $^{\circ}$ C $^{+}$ 105 $^{\circ}$ C

瞬间温度/MAX Soldering: +250 $^{\circ}$ C, for 5 Sec

## 尺寸/Dimensions

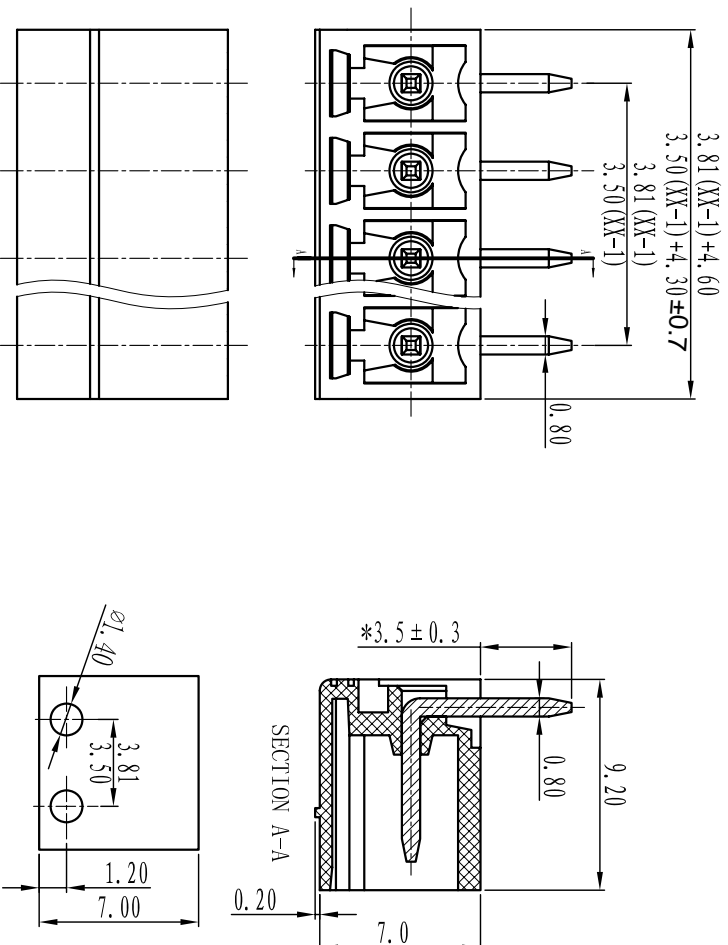
间距/Pitch: 3.81mm/3.50mm

极数/Poles: 2P-24P

## 材质及电镀/Material

塑件/Housing: PA66, UL94V-0

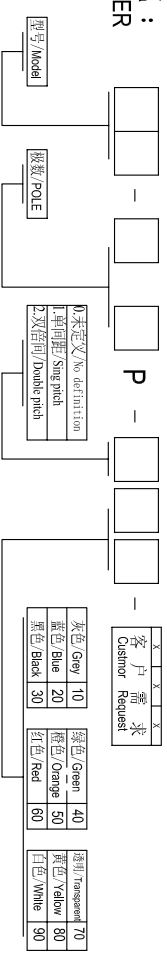
焊针/Pin header: Brass, Tin plated



## TOLERANCES EXCEPT AS NOTED

|                |                  |                 |          |                 |               |                |          |              |  |
|----------------|------------------|-----------------|----------|-----------------|---------------|----------------|----------|--------------|--|
|                | linear dimension | fillet          | chamfer  | short angle sid |               |                |          |              |  |
| variable range | over 6 to 30     | over 120 to 480 | all to 6 | over 6 to 10    | over 10 to 50 | over 50 to 120 | all to 5 | over 5 to 30 | over 30 to 120   |
| tolerance      | ±0.1             | ±0.2            | ±0.3     | ±0.5            | ±0.9          | ±0.2           | ±0.5     | ±1           | 1 $^{\circ}$ 30 $^{\circ}$ 20 $^{\circ}$ 10 $^{\circ}$ 0.5 0.025 0.06 0.12 0.4 |

## 订购方式: HOW TO ORDER



单位/UNITS mm 尺寸/SIZE A4 比例/SCALE

**Cixi Dibo Electronics Co., LTD**

名称/NAME DB2ERC-3.81/3.5



## X-ON Electronics

Largest Supplier of Electrical and Electronic Components

*Click to view similar products for [Pluggable Terminal Blocks](#) category:*

*Click to view products by [DIBO](#) manufacturer:*

Other Similar products are found below :

[57.404.7553](#) [57.504.0053.7](#) [57.510.0053](#) [57.910.6153](#) [01.112.1453](#) [CTB932VE/6](#) [MC 1.5/ 6-ST-3.5 GY AU](#) [ET02015000J0G](#) [734-104](#) [734-302](#) [734-304](#) [8-141-P](#) [FKCT 2.5/ 3-ST KMGY](#) [860505](#) [860508](#) [860516](#) [860810](#) [861908](#) [GBPACX-12](#) [93.731.4953.0](#) [PV05-5,08-K](#) [PVP02-5,00](#) [PVP04-3,50](#) [PVS02-5,00](#) [1-1986160-3](#) [H-10](#) [1546228-5](#) [ELFH09150](#) [ELFH16150](#) [ELFP03110](#) [ELFT06250](#) [ELFT07250](#) [ELVF09400](#) [ELVP03100](#) [ELXH03100](#) [ELXH071G0E](#) [ELXP041G0](#) [ELXT046G0](#) [1700101](#) [1700410](#) [1700425](#) [1703176](#) [1703243](#) [1705229](#) [1710175](#) [1714537](#) [1717806](#) [1719600](#) [1728941](#) [1729386](#)