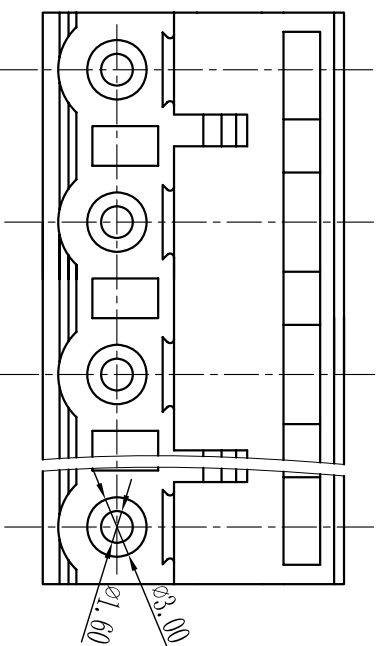
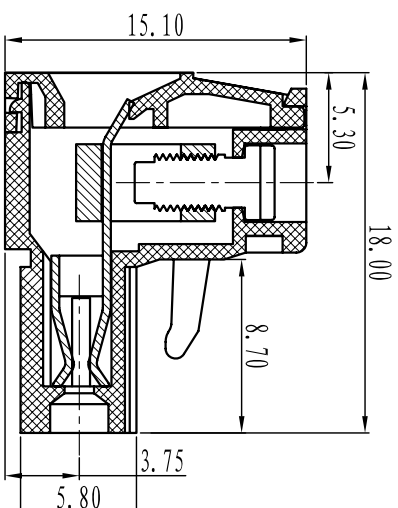
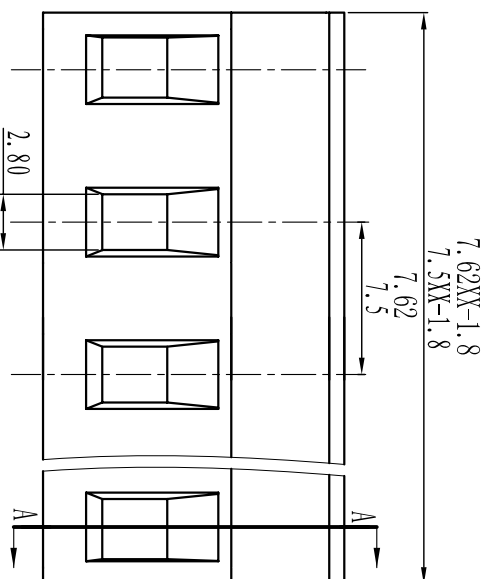




# Cixi Dibo Electronics Co.,LTD

产品规格书  
product specification



### 电气性能/Electrical

参考标准/Standard: UL IEC

额定电压/Rated voltage: 300V 320V

额定电流/Rated current: 15A 20A

接触电阻/Contact resistance: 20mΩ

使用线径/Wire range: 28-14AWG 2.5mm<sup>2</sup>

耐电压/Withstanding voltage: AC2000V/1Min

绝缘电阻/Insulation resistance: 500MΩ/DC500V

### 机械性能/Mechanical

温度范围/Temp Range: -40°C+105°C

扭矩/Torque: 0.5Nm (4.5lb·in)

剥线长度/Strip length: 7-8mm

### 尺寸/Dimensions

间距/Pitch: 7.5mm, 7.62mm

极数/Poles: 2P-24P

### 材质及电镀/Material

塑件/Housing: PA66, UL94V-0

螺丝/Screws: M3, 0, steel Zinc plated

方块/Wire guard: Brass, Ni plated

簧片/Clamp: Phosphor bronze, Ni plated

TOLERANCES EXCEPT AS NOTED

	linear dimension	fillet	chamfer	short angle sid				
variable range	over 6 to 30	over 30 to 120	over 120 to 480	all to 6	over 6 to 10	over 10 to 50	over 50 to 120	all to 5
tolerance	±0.1	±0.2	±0.3	±0.5	±0.9	±0.2	±0.5	±1
					1°	30°	20°	10°
						0.5	0.025	0.06
							0.12	0.4

### 订购方式 : HOW TO ORDER

-  -  P -  -  -

型号/Model:  极数/POLE:

未定义/No definition  客户请求 Customer Request

单间距/Single pitch  双间距/Double pitch

灰色/Grey	10	绿色/Green	40	透明/Transparent	70
蓝色/Blue	20	棕色/Orange	50	黄色/Yellow	80
黑色/Black	30	红色/Red	80	白色/White	90

单位/UNITS mm 尺寸/SIZE A4 比例/SCALE 比例

第一视角/FIRST ANGLE PROJECTION



Cixi Dibo Electronics Co.,LTD

名称/NAME DB2EK-7.5/7.62

## X-ON Electronics

Largest Supplier of Electrical and Electronic Components

*Click to view similar products for [Pluggable Terminal Blocks](#) category:*

*Click to view products by [DIBO](#) manufacturer:*

Other Similar products are found below :

[57.404.7553](#) [57.504.0053.7](#) [57.510.0053](#) [57.910.6153](#) [01.112.1453](#) [CTB932VE/6](#) [MC 1.5/ 6-ST-3.5 GY AU](#) [ET02015000J0G](#) [734-104](#) [734-302](#) [734-304](#) [8-141-P](#) [FKCT 2.5/ 3-ST KMGY](#) [860505](#) [860508](#) [860516](#) [860810](#) [861908](#) [GBPACX-12](#) [93.731.4953.0](#) [PV05-5,08-K](#) [PVP02-5,00](#) [PVP04-3,50](#) [PVS02-5,00](#) [1-1986160-3](#) [H-10](#) [1546228-5](#) [ELFH09150](#) [ELFH16150](#) [ELFP03110](#) [ELFT06250](#) [ELFT07250](#) [ELVF09400](#) [ELVP03100](#) [ELXH03100](#) [ELXH071G0E](#) [ELXP041G0](#) [ELXT046G0](#) [1700101](#) [1700410](#) [1700425](#) [1703176](#) [1703243](#) [1705229](#) [1710175](#) [1714537](#) [1717806](#) [1719600](#) [1728941](#) [1729386](#)