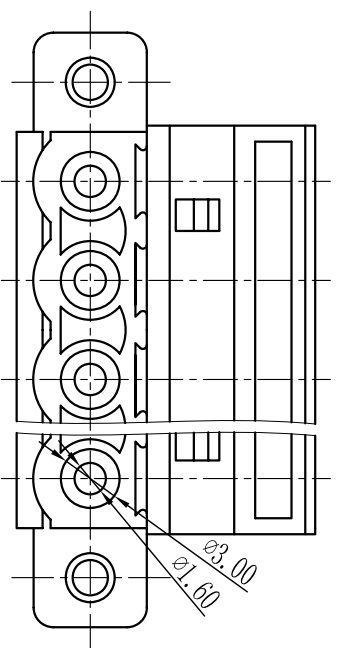
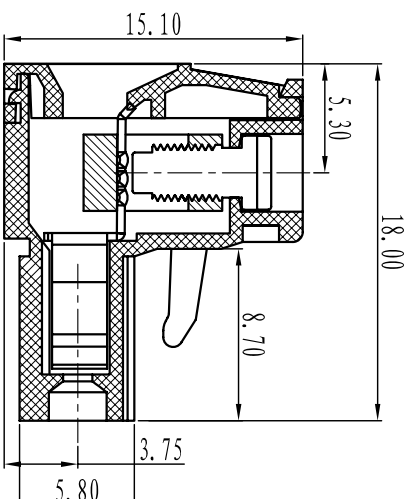
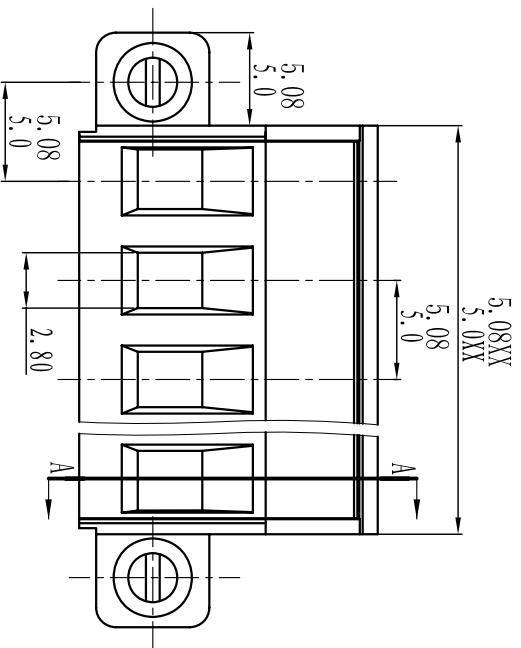




# Cixi Dibo Electronics Co.,LTD

产品规格书  
product specification



SECTION A-A

### 电气性能/Electrical

参考标准/Standard: UL IEC  
 额定电压/Rated voltage: 300V 320V  
 额定电流/Rated current: 15A 20A  
 接触电阻/Contact resistance: 20m $\Omega$   
 使用线径/Wire range: 28-14AWG 2.5mm<sup>2</sup>  
 耐电压/Withstanding voltage: AC2000V/MIn  
 绝缘电阻/Insulation resistance: 500M $\Omega$ /DC500V

### 机械性能/Mechanical

温度范围/Temp.Range: -40 $^{\circ}$ C<sup>+</sup>105 $^{\circ}$ C  
 扭矩/Torque: 0.5Nm (4.5lb $\cdot$ in)  
 剥线长度/Strip length: 7-8mm

### 尺寸/Dimensions

间距/Pitch: 5.00mm, 5.08mm

极数/Poles: 2P-24P

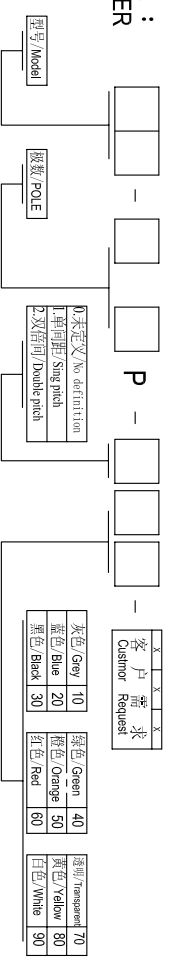
### 材料及电镀/Material

塑件/Housing: PA66, UL94V-0  
 螺丝/Screws: M3, 0, steel Zinc plated  
 方块/Wire guard: Brass, Ni plated  
 簧片/Clamp: Phosphor bronze, Ni plated

TOLERANCES EXCEPT AS NOTED

	Linear dimension	fillet	chamfer	short angle sid													
variable range	6 over to 30	30 over to 120	480 over to all	6 to 10	10 over to 50	50 over to 120	all	5 to 30	30 over to 120	120 over to							
tolerance	$\pm 0.1$	$\pm 0.2$	$\pm 0.3$	$\pm 0.5$	$\pm 0.9$	$\pm 0.2$	$\pm 0.5$	$\pm 1$	$1^{\circ}$	$30^{\circ}$	$20^{\circ}$	$10^{\circ}$	0.5	0.025	0.06	0.12	0.4

订购方式：  
HOW TO ORDER



单位/UNITS	mm	尺寸/SIZE	A4	比例/SCALE	第一视角/FIRST ANGLE PROJECTION
----------	----	---------	----	----------	-----------------------------

Cixi Dibo Electronics Co.,LTD

名称/NAME DB2EKM-5.0/5.08

客户需求/Custom Requests	灰色/Grey	绿色/Green	透明/translucent
10	10	40	70
蓝色/Blue	20	橙色/Orange	50
黑色/Black	30	红色/Red	60
		黄色/Yellow	80
		白色/White	90

## X-ON Electronics

Largest Supplier of Electrical and Electronic Components

*Click to view similar products for [Pluggable Terminal Blocks](#) category:*

*Click to view products by [DIBO](#) manufacturer:*

Other Similar products are found below :

[57.404.7553](#) [57.504.0053.7](#) [57.510.0053](#) [57.910.6153](#) [01.112.1453](#) [CTB932VE/6](#) [MC 1.5/ 6-ST-3.5 GY AU](#) [ET02015000J0G](#) [734-104](#) [734-302](#) [734-304](#) [8-141-P](#) [FKCT 2.5/ 3-ST KMGY](#) [860505](#) [860508](#) [860516](#) [860810](#) [861908](#) [GBPACX-12](#) [93.731.4953.0](#) [PV05-5,08-K](#) [PVP02-5,00](#) [PVP04-3,50](#) [PVS02-5,00](#) [1-1986160-3](#) [H-10](#) [1546228-5](#) [ELFH09150](#) [ELFH16150](#) [ELFP03110](#) [ELFT06250](#) [ELFT07250](#) [ELVF09400](#) [ELVP03100](#) [ELXH03100](#) [ELXH071G0E](#) [ELXP041G0](#) [ELXT046G0](#) [1700101](#) [1700410](#) [1700425](#) [1703176](#) [1703243](#) [1705229](#) [1710175](#) [1714537](#) [1717806](#) [1719600](#) [1728941](#) [1729386](#)