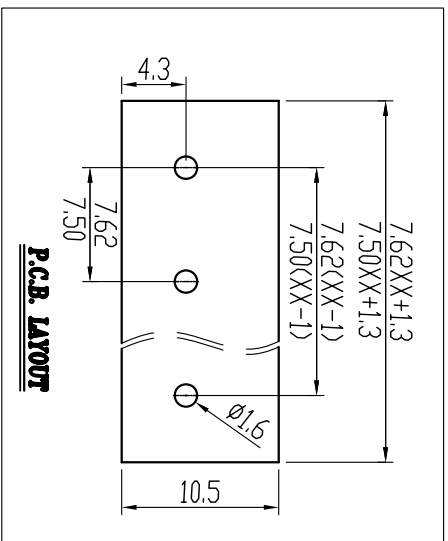


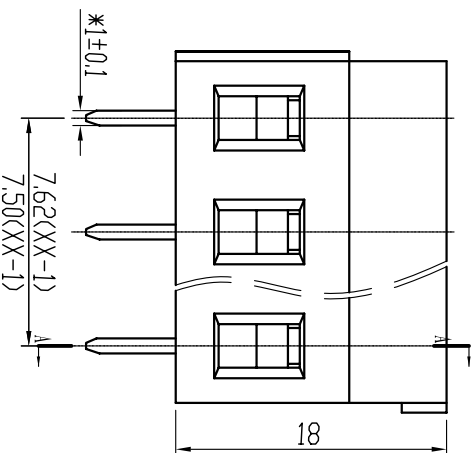
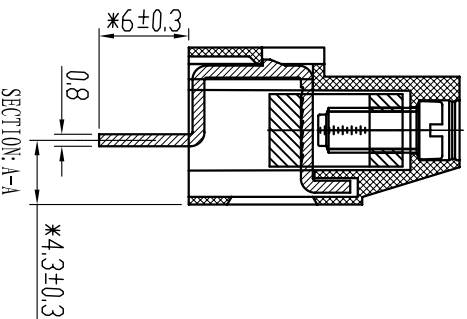
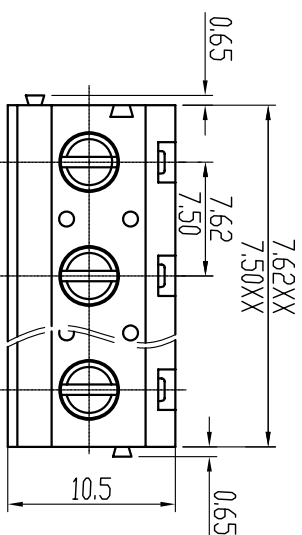


Cixi Dibo Electronics Co., LTD

产品规格书
THE SPEC SHEET



PCB LAYOUT



电气性能/Electrical

| | | |
|----------------------------|----------------|--------------------|
| 参考标准/Standard | UL | IEC |
| 额定电压/Rated voltage | 300V | 250V |
| 额定电流/Rated current | 16A | 24A |
| 接触电阻/Contact resistance | 20mΩ | |
| 绝缘电阻/Insulation resistance | 500MΩ, DC500V | |
| 使用线径/Wire range | 26-12AWG | 2.5mm ² |
| 耐压/With standing voltage | AC 2000V/1 Min | |

机械性能/Mechanical

| | |
|--------------------|-----------------------|
| 扭矩/Torque | 0.5Nm(4.5Lb.in) |
| 温度范围/Temp.Range | -40°C~+105°C |
| 瞬时温度/MAX Soldering | +250°C, for 5 Sec |
| 剥线长度/Steip Length | 6-7mm |
| 尺寸/Dimensions | 7.50mm, 7.62mm |
| 间距/Pitch | 2-24p |
| 极数/Poles | 2-24p |
| 材质及电镀/Material | PA66, UL94V-0 |
| 塑件/Housing | M3.0 Steel, Zn plated |
| 螺丝/Screws | Brass, Sn plated |
| 焊脚/Pin header | Brass, Ni plated |
| 方块/Wire guard | |

| | | | | | | | | | | | | | | | | |
|----------------|---|---------|----------|----------|----------|----------|-----------|------------|------------|------------|--------|-----|-------|---------|-----------|--------|
| | linear dimension(Tolerances Standard GB/T 14486-2008) | | | | | | | | | | ≡ | — | □ | // | ⊥ | |
| tolerance | ±0.1 | ±0.14 | ±0.19 | ±0.25 | ±0.32 | ±0.43 | ±0.57 | ±0.72 | ±0.88 | ±1.05 | ±1.25 | 0.5 | 0.025 | 0.06 | 0.12 | 0.4 |
| variable range | 6 to | 6 to 10 | 10 to 18 | 18 to 30 | 30 to 50 | 50 to 80 | 80 to 120 | 120 to 160 | 160 to 200 | 200 to 250 | 250 to | all | 5 to | 5 to 30 | 30 to 120 | 120 to |

单位/UNITS mm 尺寸/SIZE A4 比例/SCALE 2:1
Cixi Dibo Electronics Co., LTD

第三视图/THIRD ANGLE PROJECTION
名称/TITLE DB129V-7.5/7.62

X-ON Electronics

Largest Supplier of Electrical and Electronic Components

Click to view similar products for [Fixed Terminal Blocks](#) category:

Click to view products by [DIBO](#) manufacturer:

Other Similar products are found below :

[00175550202](#) [MBE-1512](#) [MBE-1520](#) [MBE-154](#) [MBE-156](#) [MBES-1510](#) [MBES-153](#) [MBES-156](#) [MH-2512](#) [MHE-132](#) [MHE-133](#) [MHE-163](#)
[MI-254 \(35\)](#) [MI-272](#) [8739](#) [880507](#) [880508](#) [MPT-275](#) [1546551-6](#) [ELM023100](#) [ELM10110G](#) [ELVD12100](#) [BA311TU](#) [BA411SU](#) [MV-152](#)
[MV-253/NCNOC](#) [MV-254-D](#) [MV-255](#) [MV-462](#) [MV-472](#) [MV-493](#) [MVE-252](#) [MVE-253](#) [MVE-258](#) [MVE-273](#) [MVEB-153](#) [1700096](#)
[1702246](#) [1705142](#) [1712417](#) [1713020](#) [1713088](#) [1776118-2](#) [1790852](#) [1-796689-8](#) [1-796692-6](#) [1800001](#) [1800114](#) [1823215](#) [1838462](#)