



Cixi Dibo Electronics Co., LTD

产品规格书
product specification

电气性能/Electrical

参考标准/Standard: UL IEC
 额定电压/Rated voltage: 300V 250V
 额定电流/Rated current: 8A 10A
 接触电阻/Contact resistance: 20m Ω
 耐电压/Withstanding voltage: AC2000V/1Min
 绝缘电阻/Insulation resistance: 500M Ω /DC500V
 机械性能/Mechanical

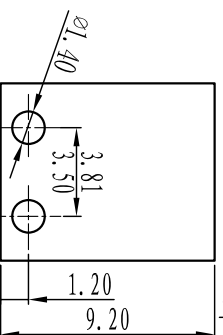
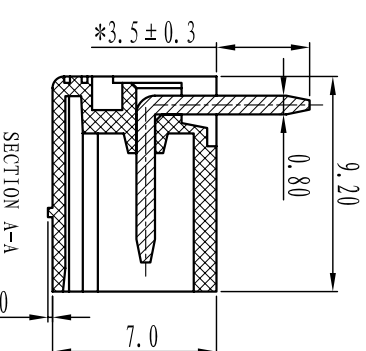
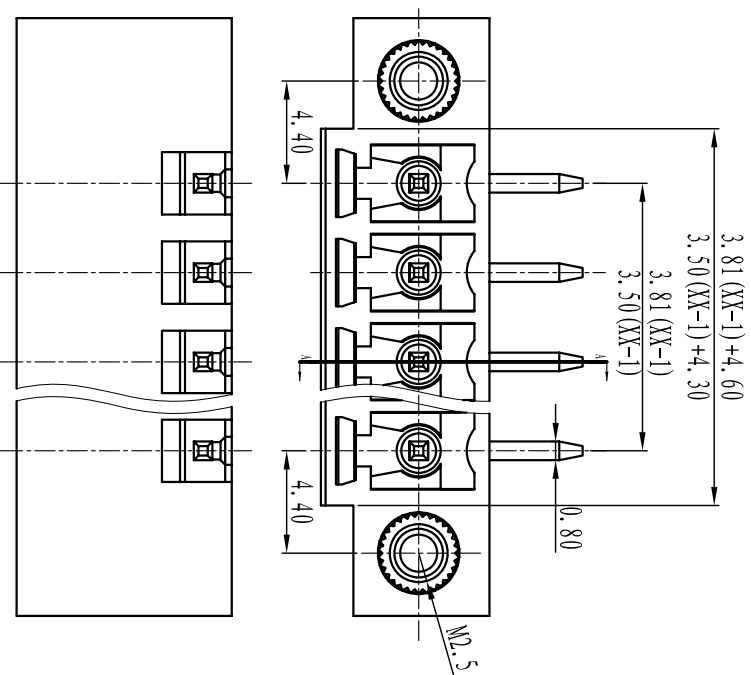
温度范围/Temp.Range: -40 $^{\circ}$ C~+105 $^{\circ}$ C
 瞬间温度/MAX Soldering: +250 $^{\circ}$ C, for 5 Sec

尺寸/Dimensions

间距/Pitch: 3.81mm/3.50mm
 极数/Poles: 2P-24P

材质及电镀/Material

螺母/Nut: M2.5 Brass
 焊针/Pin header: Brass, Tin plated
 塑件/Housing: PA66, UL94V-0



TOLERANCES EXCEPT AS NOTED

| | linear dimension | fillet | chamfer | short angle sid | | | |
|----------------|------------------|-----------------|--------------|-----------------|-------------------------------|--------------------------------|---------------|
| variable range | over 6 to 30 | over 120 to 480 | over 6 to 6 | over 10 to 50 | over 10 to 120 | over 5 to 30 | over 5 to 120 |
| tolerance | ±0.1 to ±0.2 | ±0.3 to ±0.5 | ±0.9 to ±0.2 | ±0.5 to ±1 | 1 $^{\circ}$ to 30 $^{\circ}$ | 20 $^{\circ}$ to 10 $^{\circ}$ | 0.5 to 0.12 |

订购方式:
HOW TO ORDER

型号/Model
 极数/POLE
 P
 未定义/No definition
 单同轴/Single pitch
 双同轴/Double pitch
 客户需求
 Customer Request

| | | | | | |
|----------|----|-----------|----|----------------|----|
| 灰色/Grey | 10 | 绿色/Green | 40 | 透明/Transparent | 70 |
| 蓝色/Blue | 20 | 橙色/Orange | 50 | 黄色/Yellow | 80 |
| 黑色/Black | 30 | 红色/Red | 60 | 白色/White | 90 |

单位/UNITS mm 尺寸/SIZE A4 比例/SCALE

第一视角/FIRST ANGLE PROJECTION

Cixi Dibo Electronics Co., LTD

名称/NAME DB2ERM-3.81

X-ON Electronics

Largest Supplier of Electrical and Electronic Components

Click to view similar products for [Pluggable Terminal Blocks](#) category:

Click to view products by [DIBO](#) manufacturer:

Other Similar products are found below :

[57.404.7553](#) [57.504.0053.7](#) [57.510.0053](#) [57.910.6153](#) [01.112.1453](#) [CTB932VE/6](#) [MC 1.5/ 6-ST-3.5 GY AU](#) [ET02015000J0G](#) [734-104](#) [734-302](#) [734-304](#) [8-141-P](#) [FKCT 2.5/ 3-ST KMGY](#) [860505](#) [860508](#) [860516](#) [860810](#) [861908](#) [GBPACX-12](#) [93.731.4953.0](#) [PV05-5,08-K](#) [PVP02-5,00](#) [PVP04-3,50](#) [PVS02-5,00](#) [1-1986160-3](#) [H-10](#) [1546228-5](#) [ELFH09150](#) [ELFH16150](#) [ELFP03110](#) [ELFT06250](#) [ELFT07250](#) [ELVF09400](#) [ELVP03100](#) [ELXH03100](#) [ELXH071G0E](#) [ELXP041G0](#) [ELXT046G0](#) [1700101](#) [1700410](#) [1700425](#) [1703176](#) [1703243](#) [1705229](#) [1710175](#) [1714537](#) [1717806](#) [1719600](#) [1728941](#) [1729386](#)