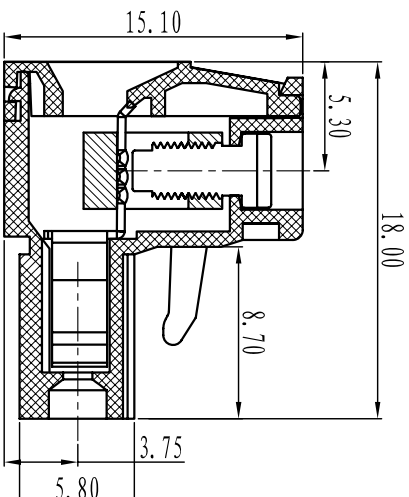
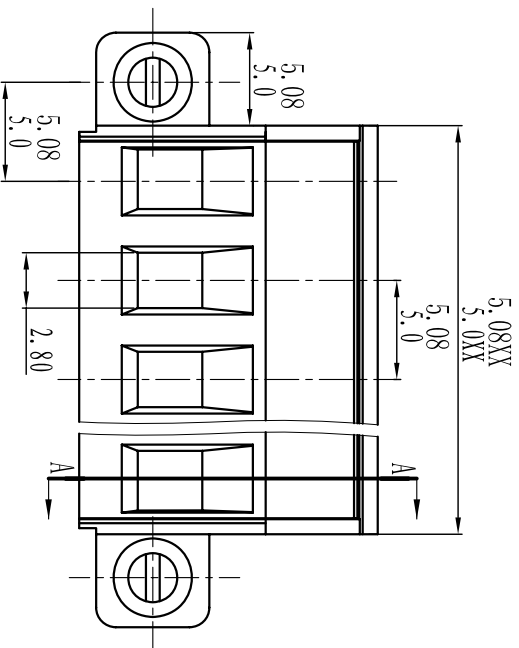


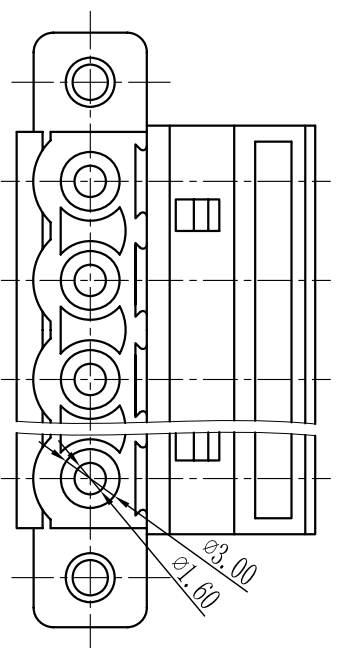


Cixi Dibo Electronics Co., LTD

产品规格书
product specification



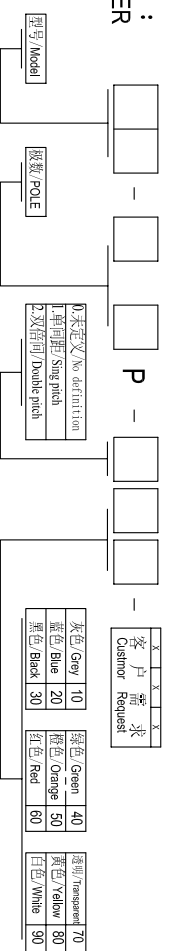
SECTION A-A



TOLERANCES EXCEPT AS NOTED

	Linear dimension	fillet	chamfer	short angle sid													
variable range	6 to 30	6 to 30	6 to 120	6 to 120	all	6 to 10	10 to 50	50 to 120	all	5 to 30	30 to 120	120 to 120	120 to 120	120 to 120	120 to 120	120 to 120	120 to 120
tolerance	±0.1	±0.2	±0.3	±0.5	±0.9	±0.2	±0.5	±1	1°	30'	20'	10'	0.5	0.025	0.06	0.12	0.4

订购方式：
HOW TO ORDER



电气性能/Electrical
 参考标准/Standard: UL IEC
 额定电压/Rated voltage: 300V 320V
 额定电流/Rated current: 15A 20A
 接触电阻/Contact resistance: 20mΩ
 使用线径/Wire range: 28-14AWG 2.5mm²
 耐电压/Withstanding voltage: AC2000V/Min
 绝缘电阻/Insulation resistance: 500MΩ/DC500V

机械性能/Mechanical
 温度范围/Temp.Range: -40°C+105°C
 扭矩/Torque: 0.5Nm (4.5lb·in)
 剥线长度/Strip length: 7-8mm

尺寸/Dimensions
 间距/Pitch: 5.00mm, 5.08mm
 极数/Poles: 2P-24P

材料及电镀/Material
 塑件/Housing: PA66, UL94V-0
 螺丝/Screws: M3, 0, steel Zinc plated
 方块/Wire guard: Brass, Ni plated
 簧片/Clamp: Phosphor bronze, Ni plated

单位/UNITS	mm	尺寸/SIZE	A4	比例/SCALE
Cixi Dibo Electronics Co., LTD				

名称/NAME	第一视角/FIRST ANGLE PROJECTION
DB2EKM-5.0/5.08	

客户需求/Custom Requests	颜色/Color	长度/Length
X	灰色/Grey	10
X	蓝色/Blue	20
X	黑色/Black	30
X	绿色/Green	40
X	橙色/Orange	50
X	红色/Red	60
X	透明/transparent	70
X	黄色/Yellow	80
X	白色/White	90

X-ON Electronics

Largest Supplier of Electrical and Electronic Components

Click to view similar products for [Pluggable Terminal Blocks](#) category:

Click to view products by [DIBO](#) manufacturer:

Other Similar products are found below :

[57.404.7553](#) [57.504.0053.7](#) [57.510.0053](#) [57.910.6153](#) [01.112.1453](#) [CTB932VE/6](#) [MC 1.5/ 6-ST-3.5 GY AU](#) [ET02015000J0G](#) [734-104](#) [734-302](#) [734-304](#) [8-141-P](#) [FKCT 2.5/ 3-ST KMGY](#) [860505](#) [860508](#) [860516](#) [860810](#) [861908](#) [GBPACX-12](#) [93.731.4953.0](#) [PV05-5,08-K](#) [PVP02-5,00](#) [PVP04-3,50](#) [PVS02-5,00](#) [1-1986160-3](#) [H-10](#) [1546228-5](#) [ELFH09150](#) [ELFH16150](#) [ELFP03110](#) [ELFT06250](#) [ELFT07250](#) [ELVF09400](#) [ELVP03100](#) [ELXH03100](#) [ELXH071G0E](#) [ELXP041G0](#) [ELXT046G0](#) [1700101](#) [1700410](#) [1700425](#) [1703176](#) [1703243](#) [1705229](#) [1710175](#) [1714537](#) [1717806](#) [1719600](#) [1728941](#) [1729386](#)