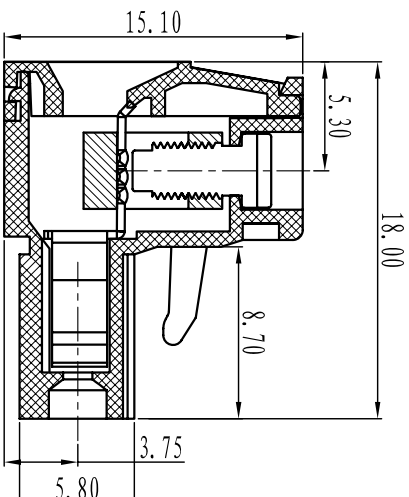
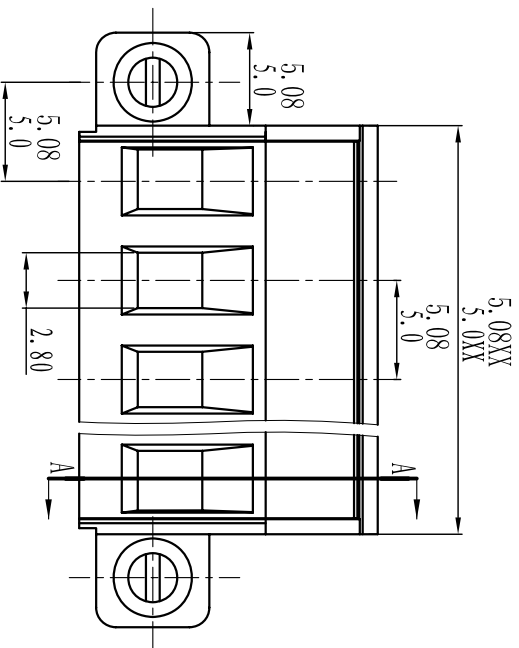


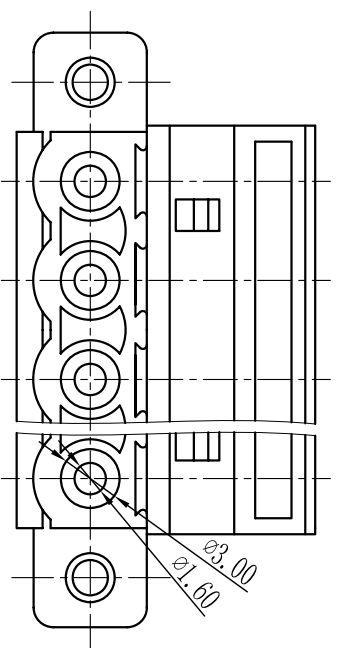


Cixi Dibo Electronics Co., LTD

产品规格书
product specification



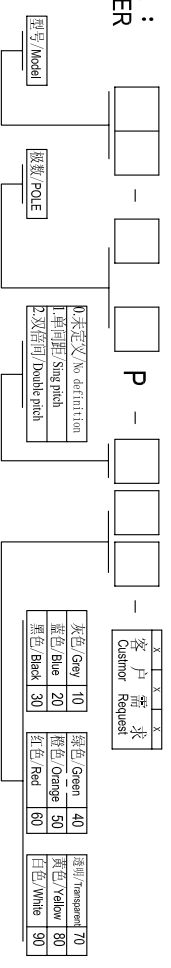
SECTION A-A



TOLERANCES EXCEPT AS NOTED

	Linear dimension	fillet	chamfer	short angle sid	≡	□	//	⊥
variable range	6 over to 30	30 over to 120	480 over to 480	all to 6	6 over to 10	50 over to 50	120 over to 120	all to 5
tolerance	±0.1	±0.2	±0.3	±0.5	±0.9	±0.2	±0.5	±1
	6 over to 30	120 over to 480	480 over to 480	all to 6	6 over to 10	50 over to 50	120 over to 120	all to 5
	±0.1	±0.2	±0.3	±0.5	±0.9	±0.2	±0.5	±1
	6 over to 30	120 over to 480	480 over to 480	all to 6	6 over to 10	50 over to 50	120 over to 120	all to 5
	±0.1	±0.2	±0.3	±0.5	±0.9	±0.2	±0.5	±1
	6 over to 30	120 over to 480	480 over to 480	all to 6	6 over to 10	50 over to 50	120 over to 120	all to 5
	±0.1	±0.2	±0.3	±0.5	±0.9	±0.2	±0.5	±1

订购方式：
HOW TO ORDER



电气性能/Electrical
参考标准/Standard: UL IEC
额定电压/Rated voltage: 300V 320V
额定电流/Rated current: 15A 20A
接触电阻/Contact resistance: 20mΩ
使用线径/Wire range: 28-14AWG 2.5mm²
耐电压/Withstanding voltage: AC2000V/Min
绝缘电阻/Insulation resistance: 500MΩ/DC500V

机械性能/Mechanical
温度范围/Temp. Range: -40°C+105°C
扭矩/Torque: 0.5Nm (4.5lb·in)
剥线长度/Strip length: 7-8mm

尺寸/Dimensions
间距/Pitch: 5.00mm, 5.08mm
极数/Poles: 2P-24P

材料及电镀/Material
塑件/Housing: PA66, UL94V-0
螺丝/Screws: M3, 0, steel Zinc plated
方块/Wire guard: Brass, Ni plated
簧片/Clamp: Phosphor bronze, Ni plated

单位/UNITS	mm	尺寸/SIZE	A4	比例/SCALE
Cixi Dibo Electronics Co., LTD				

名称/NAME	第一视角/FIRST ANGLE PROJECTION
DB2EKM-5.0/5.08	

颜色/Color	定义/Definition	颜色/Color	定义/Definition
灰色/Gray	10	绿色/Green	40
蓝色/Blue	20	黄色/Orange	50
黑色/Black	30	红色/Red	60
		透明/transparent	70
		黄色/Yellow	80
		白色/White	90

X-ON Electronics

Largest Supplier of Electrical and Electronic Components

Click to view similar products for [Pluggable Terminal Blocks](#) category:

Click to view products by [DIBO](#) manufacturer:

Other Similar products are found below :

[57.404.7553](#) [57.504.0053.7](#) [57.510.0053](#) [57.910.6153](#) [01.112.1453](#) [CTB932VE/6](#) [MC 1.5/ 6-ST-3.5 GY AU](#) [ET02015000J0G](#) [734-104](#) [734-302](#) [734-304](#) [8-141-P](#) [FKCT 2.5/ 3-ST KMGY](#) [860505](#) [860508](#) [860516](#) [860810](#) [861908](#) [GBPACX-12](#) [93.731.4953.0](#) [PV05-5,08-K](#) [PVP02-5,00](#) [PVP04-3,50](#) [PVS02-5,00](#) [1-1986160-3](#) [H-10](#) [1546228-5](#) [ELFH09150](#) [ELFH16150](#) [ELFP03110](#) [ELFT06250](#) [ELFT07250](#) [ELVF09400](#) [ELVP03100](#) [ELXH03100](#) [ELXH071G0E](#) [ELXP041G0](#) [ELXT046G0](#) [1700101](#) [1700410](#) [1700425](#) [1703176](#) [1703243](#) [1705229](#) [1710175](#) [1714537](#) [1717806](#) [1719600](#) [1728941](#) [1729386](#)