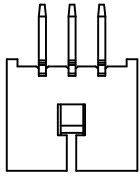
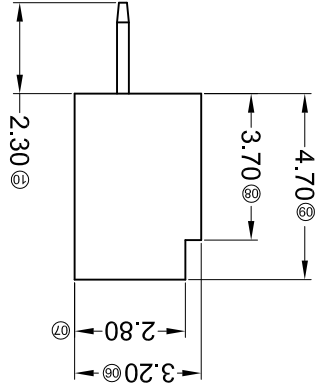
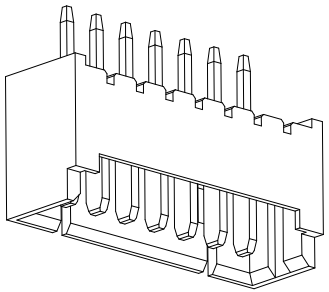
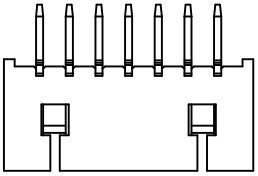


Recommended P.C.B Layout
General Tolerance±0.05

02P~03P Single Gap
Scale 0.6:1



04P~16P Double Gap
Scale 0.6:1



Poles	Dimensions(mm)			Poles	Dimensions(mm)		
	A	B	C		A	B	C
02	1.25	4.25	3.15	10	11.25	14.25	13.15
03	2.50	5.50	4.40	11	12.50	15.50	14.40
04	3.75	6.75	5.65	12	13.75	16.75	15.65
05	5.00	8.00	6.90	13	15.00	18.00	16.90
06	6.25	9.25	8.15	14	16.25	19.25	18.15
07	7.50	10.50	9.40	15	17.50	20.50	19.40
08	8.75	11.75	10.65	16	18.75	21.75	20.65
09	10.00	13.00	11.90				

- ① Series No.
② Category: W-water
③ Welding Board Angle: V- Straight 180°
④ Welding Way: Blank-DIP
⑤ Row No.-Pin No.: XX-02P~16P
⑥ Plug the Pin & Special No.:
⑦ Material: 46-PA46 94V-0; NO-PA66 94V-0
⑧ 6T-PA6T 94V-0; LP-LCP 94V-0
⑨ Plating Category: SN-Bright tin plating; SW-Matte Tin plating
⑩ Color: Blank-natural color

- Specifications:
- Voltage rating: 125V AC / DC
 - Current rating: 1A AC / DC
 - Withstanding voltage: 250V AC/minute
 - Temperature range: -25°C~+85°C
 - Insulation resistance: ≥100MΩ
 - Contact resistance: ≤20mΩ
 - After environmental testing: ≤40mΩ

PART NO	Material	Material(Pin)	Finish(Pin)	Suitable XKB Terminal
9821WV-XX-LPSN	LCP UL 94V-0	Phorphos Bronze	Tin-Plated	X9821H
9821WV-XX-6TSN	PA6T UL 94V-0	Phorphos Bronze	Tin-Plated	
9821WV-XX-46SN	PA46 UL 94V-0	Phorphos Bronze	Tin-Plated	
9821WV-XX-N0SN	PA66 UL 94V-0	Phorphos Bronze	Tin-Plated	

MARK	DESCRIPTION	DATE	REVISED	APPROVED	UNSPECIFIED TOLERANCES	
					L > 63	±0.5
△ X					16 > L ≤ 63	±0.4
△ X					4 < L ≤ 16	±0.3
△ X					L ≤ 4	±0.2
					ANGULAR	±5°

For and on behalf of
XKB INDUSTRIAL PRECISION CO., LIMITED
香港星坤工業精密有限公司

Authorized Signatures

REVISIONS	DATE	REVISIONS	DATE

DSND	DATE	SCALE: N/A	MODEL TYPE: X9821WV-XX-XXSN

DWN	DATE	VIEW:	PART NO.:

CHKD	DATE	UNIT: mm	DWG NO.:

APPD	DATE	SIZE: A4	REVISION

XKB INDUSTRIAL PRECISION CO., LIMITED		WEIGHT	SHEET	REVISION
		1.0g	1/1	A0

For and on behalf of
XKB INDUSTRIAL PRECISION CO., LIMITED
 香港星洲工業精密有限公司

MARK	DESCRIPTION	DATE	REVISED	APPROVED	UNSPECIFIED TOLERANCES	
					L > 63	± 0.5
△ X					16 < L ≤ 63	± 0.4
△ X					4 < L ≤ 16	± 0.3
△ X					L ≤ 4	± 0.2
					ANGULAR	± 5°

REVISIONS	SIGNATURE(S)	

DSND	DATE	SCALE: N/A	MODEL TYPE: X9821WVS-XXA-XXSN

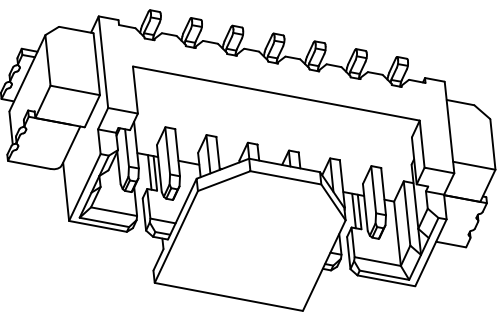
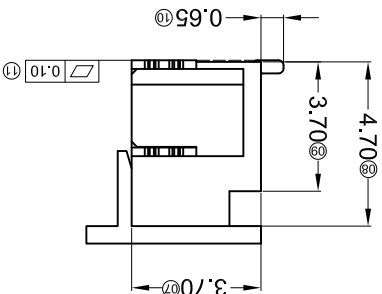
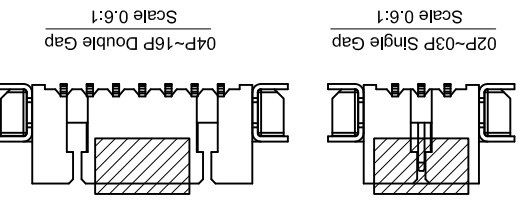
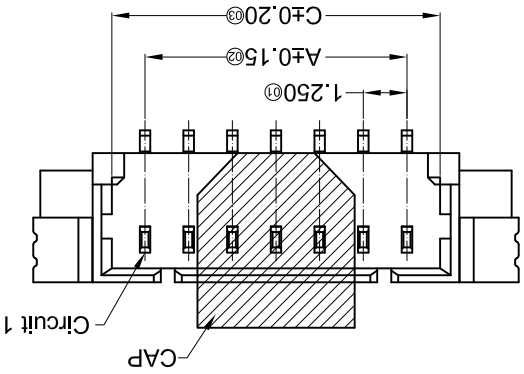
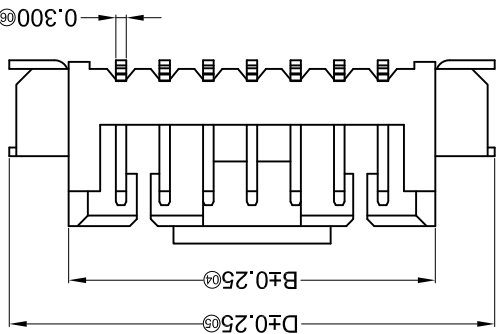
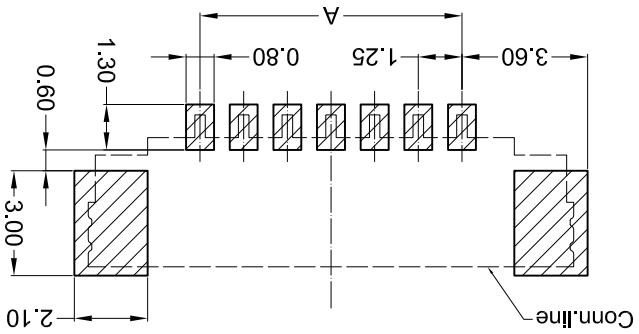
DWN	DATE	VIEW:	PART NO.:

CHKD	DATE	UNIT: mm	DWG NO.:

APPD	DATE	SIZE: A4	WEIGHT: 1.0g

REVISION	SHEET	1/1	AO

Recommended P.C.B Layout
 General Tolerance±0.05



PART NO	Material	Material(Pin)	Finish(Pin)	Material (Solder Tabs)	Material (Solder Tabs)	Suitable XKB Terminal
9821WVS-XXA-LPSN	LCP UL 94V-0	Phosphor Bronze	Tin-Plated	Phosphor Bronze	Tin-Plated	X9821H

Poles	Dimensions(mm)				Poles	Dimensions(mm)			
	A	B	C	D		A	B	C	D
02	1.25	4.25	3.15	7.65	10	11.25	14.25	13.15	17.65
03	2.50	5.50	4.40	8.90	11	12.50	15.50	14.40	18.90
04	3.75	6.75	5.65	10.15	12	13.75	16.75	15.65	20.15
05	5.00	8.00	6.90	11.40	13	15.00	18.00	16.90	21.40
06	6.25	9.25	8.15	12.65	14	16.25	19.25	18.15	22.65
07	7.50	10.50	9.40	13.90	15	17.50	20.50	19.40	23.90
08	8.75	11.75	10.65	15.15	16	18.75	21.75	20.65	25.15
09	10.00	13.00	11.90	16.40					

- ① Series No. X9821 W V S-XX A-LP SN XX
 ② Category: W-water
 ③ Welding Board Angle: V- Straight 180°
 ④ Welding Way: S-SMT
 ⑤ Row No.-Pin No.: XX-02P~16P
 ⑥ Plug the Pin & Special No.: A-All Ear clip
 ⑦ Material: LP-LCP 94V-0
 ⑧ Planting Category: SN-Bright tin plating;
 ⑨ Color: Blank-natural color

- Specifications:
 • Voltage rating: 125V AC / DC
 • Current rating: 1A AC / DC
 • Withstanding voltage: 250V AC/minute
 • Temperature range: -25°C~+85°C
 • Insulation resistance: ≥100MΩ
 • Contact resistance: ≤20mΩ
 • After environmental testing: ≤40mΩ

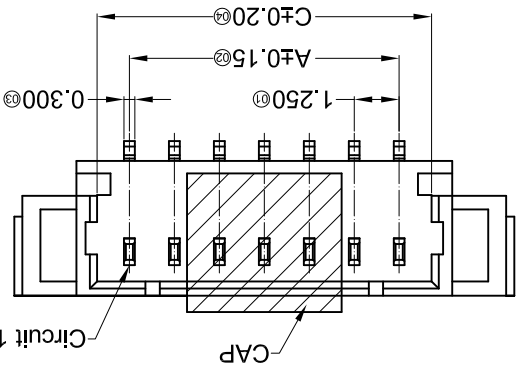
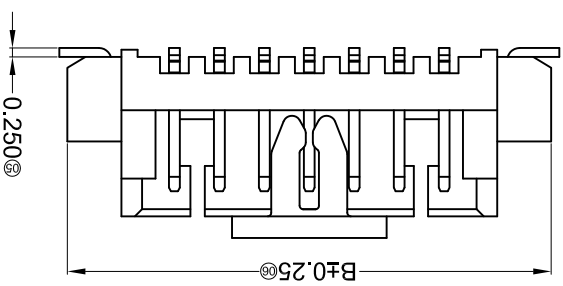
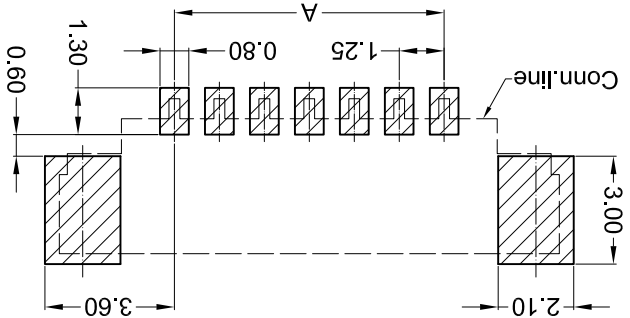
For and on behalf of
XKB INDUSTRIAL PRECISION CO., LIMITED
 香港星洲工業精密有限公司

REVISIONS
 Authorized Signatures

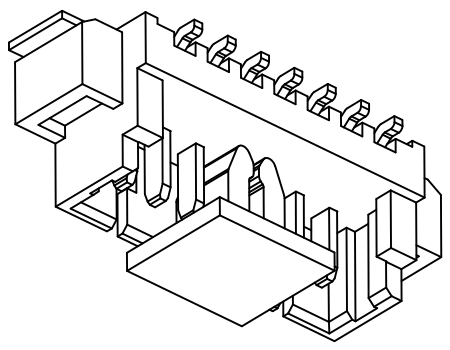
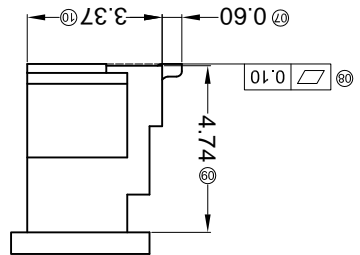
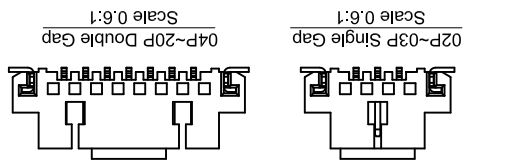
MARK	DESCRIPTION	DATE	REVISED	APPROVED	UNSPECIFIED TOLERANCES
△ X					L > 63 ±0.5
△ X					16 < L ≤ 63 ±0.4
△ X					4 < L ≤ 16 ±0.3
△ X					L ≤ 4 ±0.2
					ANGULAR ±5°

DATE	DATE	DATE	DATE	DATE	DATE	DATE	DATE	DATE	DATE
DSND	DWN	CHKD	APPD						
SCALE: N/A	VIEW:	UNIT: mm	SIZE: A4						
MODEL TYPE: X9821WVS-XX-9TSN	PART NO.:	1.25mm Crimp Style Connectors		DWG NO.:					
REVISION	SHEET	1/1	WEIGHT	1.0g					
A0									

Recommended P.C.B Layout
 General Tolerance±0.05



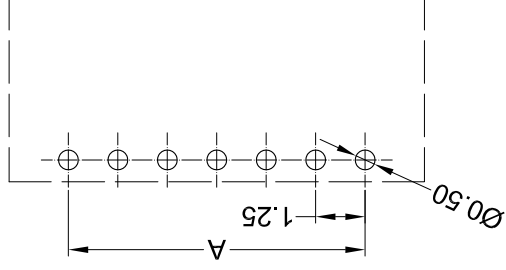
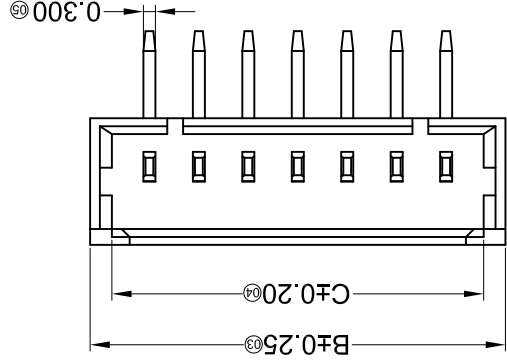
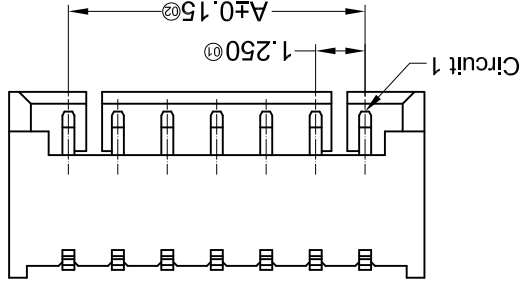
PART NO	Material	Material(Pin)	Finish(Pin)	Material (Solder Tabs)	Finish (Solder Tabs)	Suitable XKB Terminal
X9821WVS-XX-9TSN	Nylon 9T UL 94V-0	Brass	Tin-Plated	Brass	Tin-Plated	X9821H



Poles	Dimensions(mm)		
	A	B	C
02	1.25	7.20	3.05
03	2.50	8.45	4.30
04	3.75	9.70	5.55
05	5.00	10.95	6.80
06	6.25	12.20	8.05
07	7.50	13.45	9.30
08	8.75	14.70	10.55
09	10.00	15.95	11.80
10	11.25	17.20	13.05
11	12.50	18.45	14.30

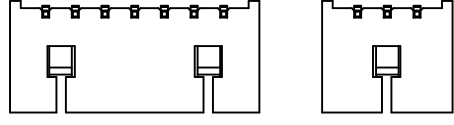
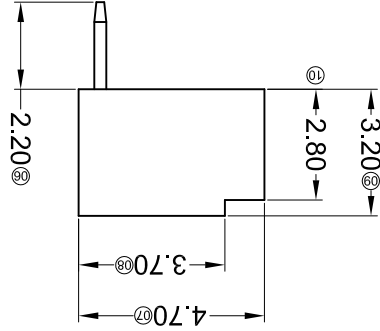
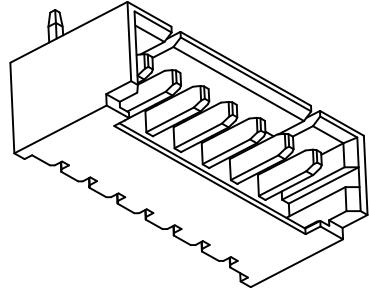
Poles	Dimensions(mm)		
	A	B	C
02	13.75	19.70	15.55
03	15.00	20.95	16.80
04	16.25	22.20	18.05
05	17.50	23.45	19.30
06	18.75	24.70	20.55
07	20.00	25.95	21.80
08	21.25	27.20	23.05
09	22.50	28.45	24.30
10	23.75	29.70	25.55

- Specifications :
- Voltage rating: 125V AC / DC
 - Current rating: 1A AC / DC
 - Withstanding voltage: 250V AC/minute
 - Temperature range: -25°C~+85°C
 - Insulation resistance: ≥100MΩ
 - Contact resistance: ≤20mΩ
 - After environmental testing: ≤40mΩ
- X9821 W V S-XX X-9T SN XX
- ① Series No.
 ② Category: W-water
 ③ Welding Board Angle: V- Straight 180°
 ④ Welding Way: S-SMT
 ⑤ Row No.-Pin No.: XX-02P~20P
 ⑥ Plug the Pin & Special No.:
 ⑦ Material: 9T-PA9T 94V-0
 ⑧ Plating Category: SN-Bright tin plating;
 ⑨ Color: Blank-Natural Color



Recommended P.C.B Layout
General Tolerance±0.05

For and on behalf of
XKB INDUSTRIAL PRECISION CO., LIMITED
香港星坤工業精密有限公司



MARK	DESCRIPTION	DATE	REVISOR	APPROVED	UNSPECIFIED TOLERANCES
△ X					L > 63
△ X					16 > L ≤ 63
△ X					4 < L ≤ 16
△ X					L ≤ 4
					ANGULAR
					±5°

PART NO	Material	Material(Pin)	Finish(Pin)	Suitable XKB Terminal
X9821WR-XX-N0SN	PA66 UL 94V-0	Brass	Tin-Plated	X9821H
X9821WR-XX-46SN	PA46 UL 94V-0	Brass	Tin-Plated	
PA6T UL 94V-0				

Poles	Dimensions(mm)		
	A	B	C
02	1.25	4.25	3.15
03	2.50	5.50	4.40
04	3.75	6.75	5.65
05	5.00	8.00	6.90
06	6.25	9.25	8.15
07	7.50	10.50	9.40
08	8.75	11.75	10.65
09	10.00	13.00	11.90
Poles			
Dimensions(mm)			
A	B	C	
10	11.25	14.25	13.15
11	12.50	15.50	14.40
12	13.75	16.75	15.65
13	15.00	18.00	16.90
14	16.25	19.25	18.15
15	17.50	20.50	19.40
16	18.75	21.75	20.65

- ① Series No.
② Category: W-water
③ Welding Board Angle: R- Right Angle 90°
④ Welding Way: Blank-DIP
⑤ Row No.-Pin No.: XX-02P~16P
⑥ Plug the Pin & Special No.:
⑦ Material: 46-PA46 94V-0; NO-PA66 94V-0; 6T-PA6T 94V-0
⑧ Planting Category: SN-Bright tin plating; SW-MatteTin plating
⑨ Color: Blank-natural color
- X9821 W R X-XX X-XX SN XX
① ② ③ ④ ⑤ ⑥ ⑦ ⑧ ⑨
- Specifications:
- Voltage rating: 125V AC / DC
 - Current rating: 1A AC / DC
 - Withstanding voltage: 250V AC/minute
 - Temperature range: -25°C~+85°C
 - Insulation resistance: ≥100MΩ
 - Contact resistance: <20mΩ
 - After environmental testing: ≤40mΩ

DSND	DATE	SCALE: N/A	MODEL TYPE: X9821WR-XX-XXSN
CHKD	DATE <td>UNIT: mm <td>DWG NO.:</td> </td>	UNIT: mm <td>DWG NO.:</td>	DWG NO.:
APPD	DATE <td>SIZE: A4 <td></td> </td>	SIZE: A4 <td></td>	
REVISIONS			
REVISION	SHEET	1/1	WEIGHT
REVISION	SHEET	1/1	1.0g

MARK	DESCRIPTION	DATE	REVISOR	APPROVED	UNSPECIFIED TOLERANCES
△ X					L > 63
△ X					16 > L ≤ 63
△ X					4 < L ≤ 16
△ X					L ≤ 4
					ANGULAR
					±5°

For and on behalf of
XKB INDUSTRIAL PRECISION CO., LIMITED
 香港星坤工業精密有限公司

REVISIONS
 Authorized Signatures(s)

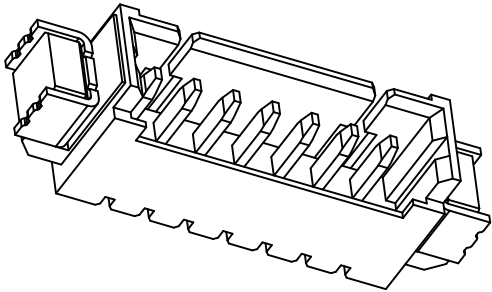
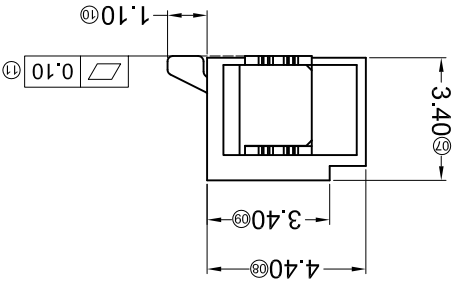
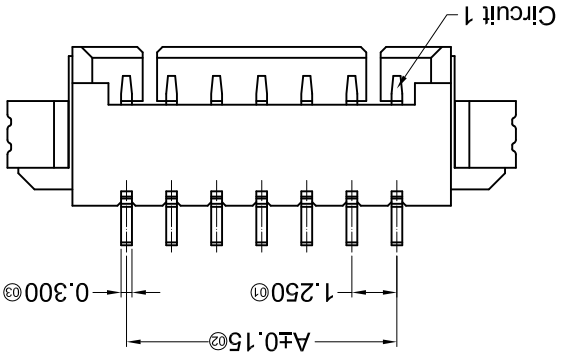
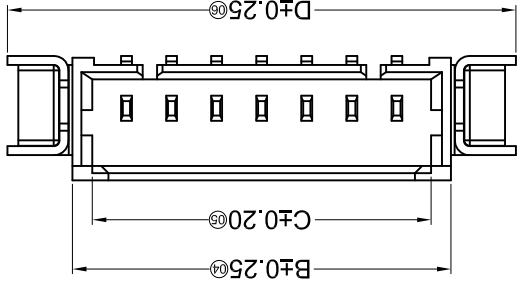
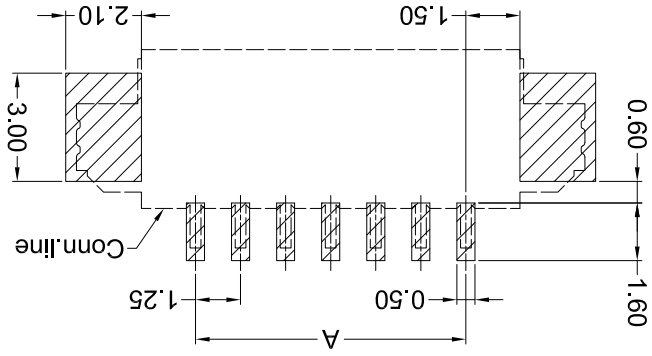
MARK	DESCRIPTION	DATE	REVISED	APPROVED	UNSPECIFIED TOLERANCES
△ X					L > 63
△ X					16 > L ≤ 63
△ X					4 < L ≤ 16
					L ≤ 4
					ANGULAR
					±5°

REVISION	SHEET	WEIGHT	DATE	DATE	DATE	DATE	DATE
A0	1/1	1.0g					

XKB INDUSTRIAL PRECISION CO., LIMITED

DSND	SCALE: N/A	DATE	VIEW:	UNIT: mm	SIZE: A4
DWN	MODEL TYPE: X9821WRS-XXA-LPSN	DATE	PART NO.:	DWG NO.:	
CHKD		DATE			
APPD		DATE			

Recommended P.C.B Layout
 General Tolerance±0.05



Poles	Dimensions(mm)			Poles	Dimensions(mm)			
	A	B	C		D	A	B	C
02	1.25	4.25	3.15	10	11.25	14.25	13.15	17.65
03	2.50	5.50	4.40	11	12.50	15.50	14.40	18.90
04	3.75	6.75	5.65	12	13.75	16.75	15.65	20.15
05	5.00	8.00	6.90	13	15.00	18.00	16.90	21.40
06	6.25	9.25	8.15	14	16.25	19.25	18.15	22.65
07	7.50	10.50	9.40	15	17.50	20.50	19.40	23.90
08	8.75	11.75	10.65	16	18.75	21.75	20.65	25.15
09	10.00	13.00	11.90	16.40				

PART NO	Material	Material(Pin)	Finish(Pin)	Material (Solder Tabs)	Finish (Solder Tabs)	Suitable XKB Terminal
X9821WRS-XXA-LPSNH	LCP UL 94V-0 Halogen Free	Phosphor Bronze	Tin-Plated	Phosphor Bronze	Tin-Plated	X9821H
X9821WRS-XXA-LPSN	LCP UL 94V-0					

- ① Series No.
- ② Category: W-water
- ③ Welding Board Angle: R- Right Angle 90°
- ④ Welding Way: S-SMT
- ⑤ Row No.-Pin No.: XX-02P~16P
- ⑥ Plug the Pin & Special No.: A-All ear clip
- ⑦ Material: LP-LCP 94V-0
- ⑧ Planting Category: SN-Bright tin plating
- ⑨ HF-Halogen Free

X9821 W R S-XX A-LP SN HF

- Specifications :
- Voltage rating: 125V AC / DC
 - Current rating: 1A AC / DC
 - Withstanding voltage: 250V AC/minute
 - Temperature range: -25°C~+85°C
 - Insulation resistance: ≥100MΩ
 - Contact resistance: ≤20mΩ
 - After environmental testing: ≤40mΩ

Specifications :

For and on behalf of
XKB INDUSTRIAL PRECISION CO., LIMITED
 香港星洲工業精密有限公司

REVISIONS
 Authorized Signatures(s)

MARK	DESCRIPTION	DATE	REVISED	APPROVED	UNSPECIFIED TOLERANCES
△ X					± 0.5
△ X					$16 < L \leq 63$
△ X					$4 < L \leq 16$
△ X					$L \leq 4$
					ANGULAR
					$\pm 5^\circ$

REVISION	SHEET	WEIGHT	1.0g	8
A0	1/1			

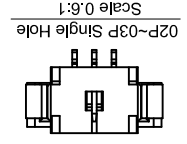
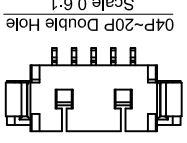
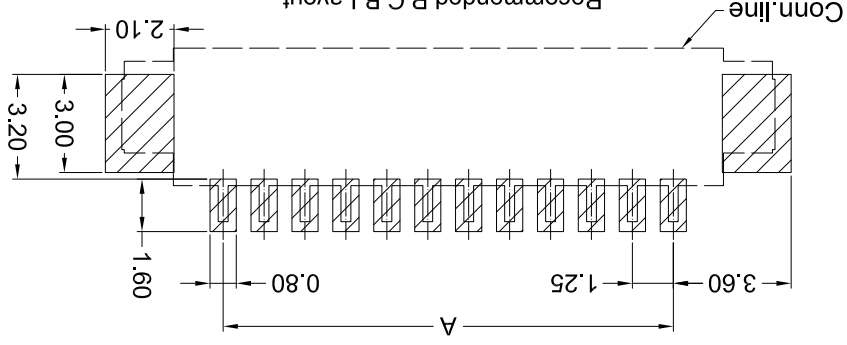
DATE	SCALE: N/A	MODEL TYPE: X9821WRS-XX-9T SN

DATE	VIEW:	PART NO.:

DATE	UNIT: mm	SIZE: A4

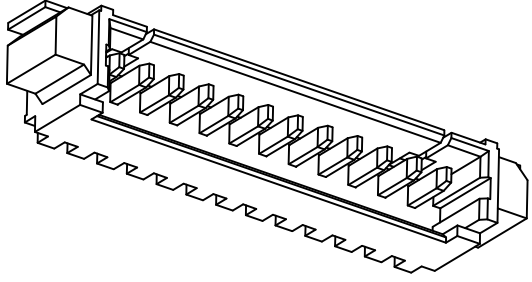
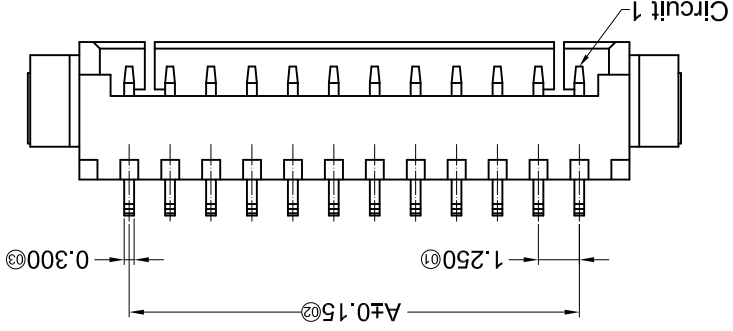
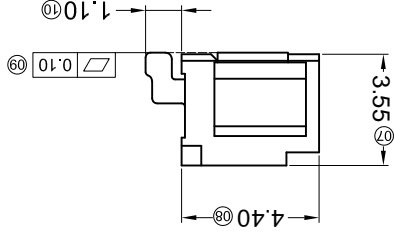
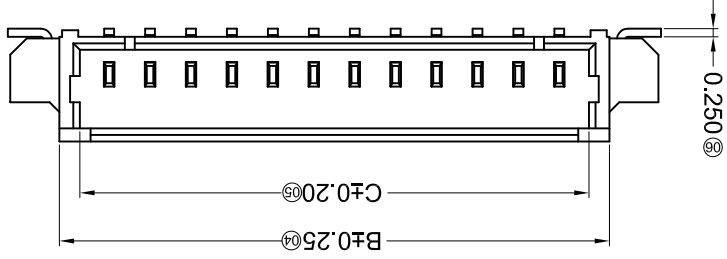
PART NO	Material	Material(Pin)	Finish(Pin)	Material (Solder Tabs)	Finish (Solder Tabs)	Suitable XKB Terminal
X9821WRS-XX-9T SN	Nylon 9T UL 94V-0	Brass	Tin-Plated	Brass	Tin-Plated	X9821H

Recommended P.C.B Layout
 General Tolerance ± 0.05



Poles	Dimensions(mm)	
	A	B
02	1.25	4.25
03	2.50	5.50
04	3.75	6.75
05	5.00	8.00
06	6.25	9.25
07	7.50	10.50
08	8.75	11.75
09	10.00	13.00
10	11.25	14.25
11	12.50	15.50

Poles	Dimensions(mm)	
	C	A
A	13.75	16.75
B	18.00	18.00
C	17.50	20.50
12	16.25	19.25
13	15.00	18.00
14	14.25	17.25
15	13.00	16.00
16	12.25	15.25
17	11.75	14.75
18	11.25	14.25
19	10.75	13.75
20	10.25	13.25



■ Specifications :

- Voltage rating: 125V AC / DC
- Current rating: 1A AC / DC
- Withstanding voltage: 250V AC/minute
- Temperature range: -25°C~+85°C
- Insulation resistance: $\geq 100M\Omega$
- Contact resistance: $\leq 20m\Omega$
- After environmental testing: $\leq 40m\Omega$

X9821 W R S - XX X - 9T SN XX
 ① Series No.
 ② Category: W-wafer
 ③ Welding Board Angle: R-Right Angle 90°
 ④ Welding Way: S-SMT
 ⑤ Row No.-Pin No.: XX-02P~20P
 ⑥ Plug the Pin & Special NO.
 ⑦ Material: 9T-PA9T 94V-0
 ⑧ Plating Category: SN-Bright tin plating
 ⑨ Color: Blank-natural color

For and on behalf of
XKB INDUSTRIAL PRECISION CO., LIMITED
 香港星坤工業精密有限公司

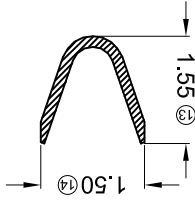
MARK	DESCRIPTION	DATE	REVISED	APPROVED	UNSPECIFIED TOLERANCES	
					L > 63	± 0.5
△ X					16 < L ≤ 63	± 0.4
△ X					4 < L ≤ 16	± 0.3
△ X					L ≤ 4	± 0.2
					ANGULAR	± 5°

REVISED SIGNATURE(S)		XKB INDUSTRIAL PRECISION CO., LIMITED	
DATE	APPROVED	DATE	APPD
REVISIONS		DATE	CHKD
		DATE	DWN
		DATE	DSND

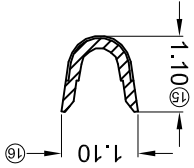
MODEL TYPE: X9821T-PXXX-A	SCALE: N/A	DATE
PART NO.: X9821H-2*XX	VIEW:	DATE
DWG NO.: 1.25mm Crimp Style Connectors	UNIT: mm	DATE
WEIGHT: 1.0g	SIZE: A4	DATE
REVISION: A0	SHEET: 1/1	DATE

PART NO	Material	Wire Range	Insulation O.D.	Finish	Suitable XKB
X9821T-PV0-1A	Phosphor Bronze	AWG#28-32	1.00mm(Max)	Stamping Before Plating:30u" Ni/Whole Gold :Gold Flash	X9821H-2*XX
X9821T-PSN-A				Stamping Before Plating:30u" Min Ni:70"Sn Min	

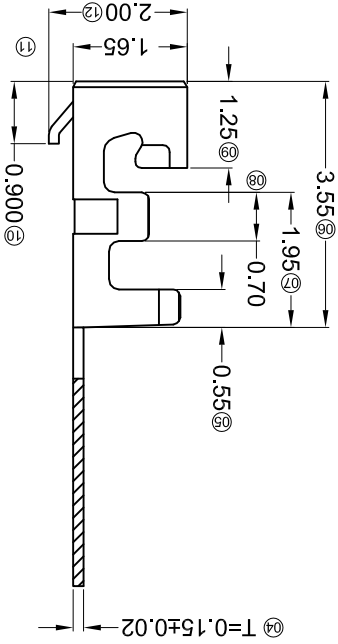
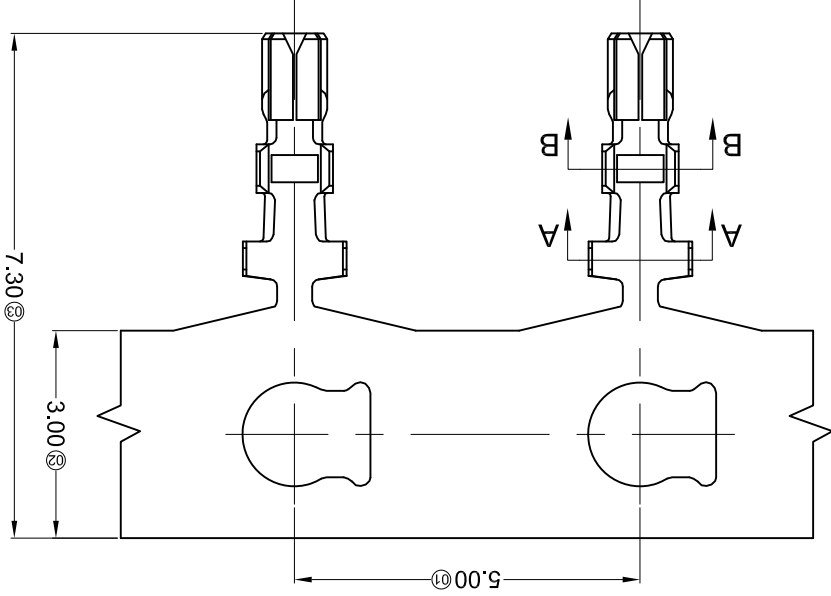
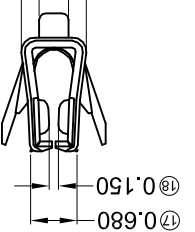
SECTION: A-A
SCALE: 1:1



SECTION: B-B
SCALE: 1:1



⑳ 0.940



X9821 T X-P XX X-A

① Series Number

② Category: T-terminal

③ Shape: Blank-ordinary

④ Material: P-Phosphor bronze

⑤ Plating style: SN-Bright tin plating ;

⑥ V01-All Gold Flash

⑦ Plating method:

Blank-Stamping before plating

⑧ Mold No./Mark/Special No.

A-Mate with 9821H-2*XX

■ Specifications :

- Voltage rating: 125V AC / DC
- Current rating: 1A AC / DC
- Withstanding voltage: 250V AC/minute
- Temperature range: -25°C~+85°C
- Insulation resistance: ≥100MΩ
- Contact resistance: ≤20mΩ
- After environmental testing: ≤40mΩ

REVISIONS
Authorized Signature(s)

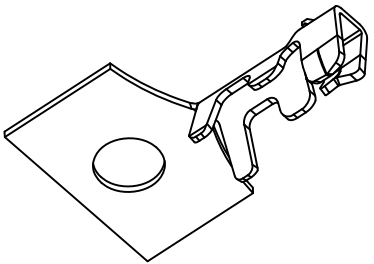
For and on behalf of
XKB INDUSTRIAL PRECISION CO., LIMITED
香港星坤工業精密有限公司

MARK	DESCRIPTION	DATE	REVISED	APPROVED	UNSPECIFIED TOLERANCES
△ X					L > 63 ± 0.5
△ X					16 < L ≤ 63 ± 0.4
△ X					4 < L ≤ 16 ± 0.3
△ X					L ≤ 4 ± 0.2
					ANGULAR ± 5°

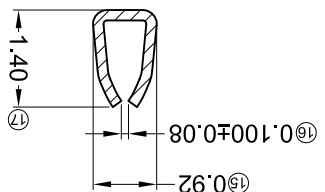
DATE	SCALE: N/A	MODEL TYPE: X9821T-PXX
DATE	VIEW:	PART NO.:
DATE	UNIT: mm	DWG NO.:
DATE	SIZE: A4	REVISION
DATE	WEIGHT	SHEET
DATE	1.0g	1/1
DATE		8

DATE	SCALE: N/A	MODEL TYPE: X9821T-PXX
DATE	VIEW:	PART NO.:
DATE	UNIT: mm	DWG NO.:
DATE	SIZE: A4	REVISION
DATE	WEIGHT	SHEET
DATE	1.0g	1/1
DATE		8

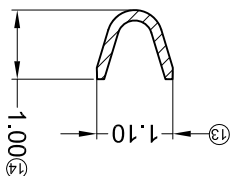
PART NO	Material	Wire Range	Insulation O.D.	Finish	Suitable XKB
X9821T-PSN2	Phosphor Bronze	AWG#28-32	1.00mm(Max)	Stamping Before Plating: 50u" Min. Ni: 70u" Sn Min.	X9821H
X9821T-PV01	Phosphor Bronze	AWG#28-32	1.00mm(Max)	Stamping Before Plating: 30u" Min. Ni: Whole Gold	X9821H
X9821T-PSN	Phosphor Bronze	AWG#28-32	1.00mm(Max)	Stamping Before Plating: 30u" Min. Ni: 70u" Sn Min.	X9821H



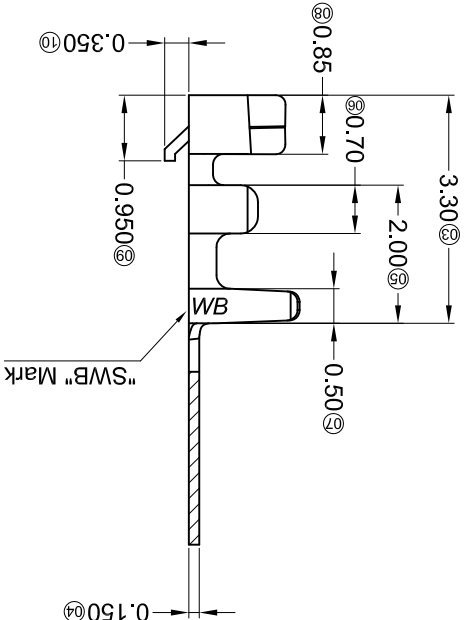
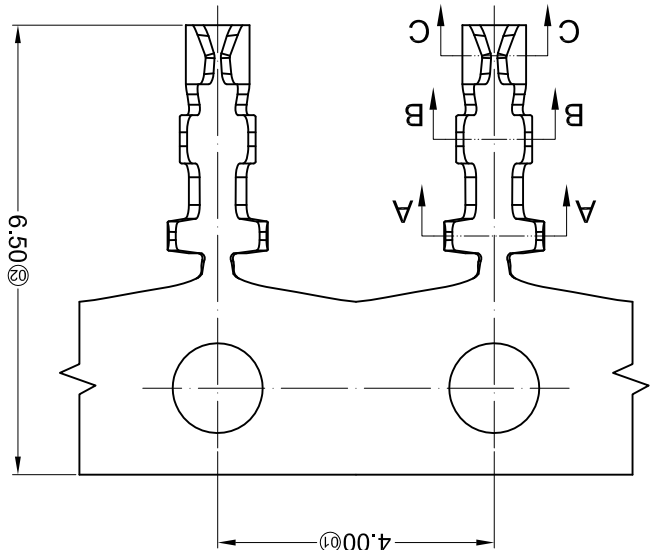
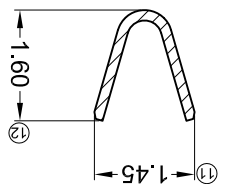
SECTION: C-C
SCALE: 1:1



SECTION: B-B
SCALE: 1:1



SECTION: A-A
SCALE: 1:1



- ① Series Number
② Category: T-terminal
③ Shape: Blank-ordinary
④ Material: P-Phosphor bronze
⑤ Plating style: V01-Gold Flash ; SN-Bright tin plating
⑥ Plating method: Blank-Stamping before plating
⑦ Mold No./Mark/Special No.

- Specifications :
- Voltage rating: 125V AC / DC
 - Current rating: 1A AC / DC
 - Withstanding voltage: 250V AC/minute
 - Temperature range: -25°C~+85°C
 - Insulation resistance: ≥100MΩ
 - Contact resistance: ≤20mΩ
 - After environmental testing: ≤40mΩ

X9821 T X-P XX X-X
① ② ③ ④ ⑤ ⑥ ⑦

For and on behalf of
XKB INDUSTRIAL PRECISION CO., LIMITED
 香港星坤工業精密有限公司

REVISIONS
 Authorized Signature(s)

MARK	DESCRIPTION	DATE	REVISED	APPROVED	UNSPECIFIED TOLERANCES
△ X					L > 63 ± 0.5
△ X					16 < L ≤ 63 ± 0.4
△ X					4 < L ≤ 16 ± 0.3
△ X					L ≤ 4 ± 0.2
					ANGULAR ± 5°

REVISION	SHEET	WEIGHT	SIZE	DATE	DATE	DATE	DATE
A0	1/1	1.0g	A4				

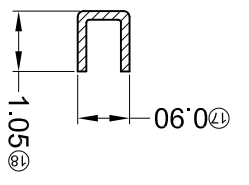
XKB INDUSTRIAL PRECISION CO., LIMITED

APPD	CHKD	DWN	DSND

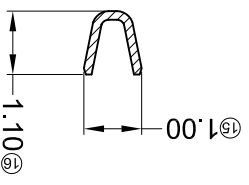
UNIT	VIEW	SCALE
mm	VIEW:	N/A

PART NO.: X9821TM-PXX
 1.25mm Crimp Style Connectors
 DWG NO.:
 MODEL TYPE: X9821TM-PXX

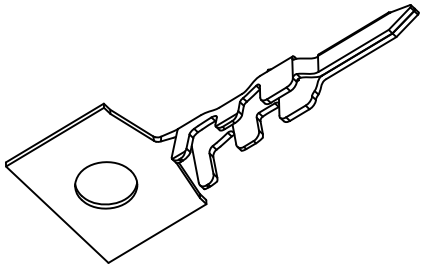
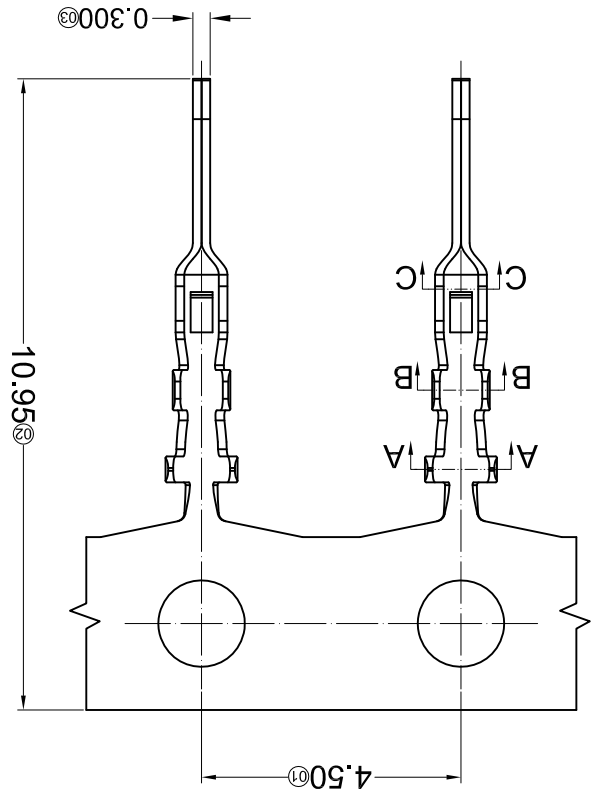
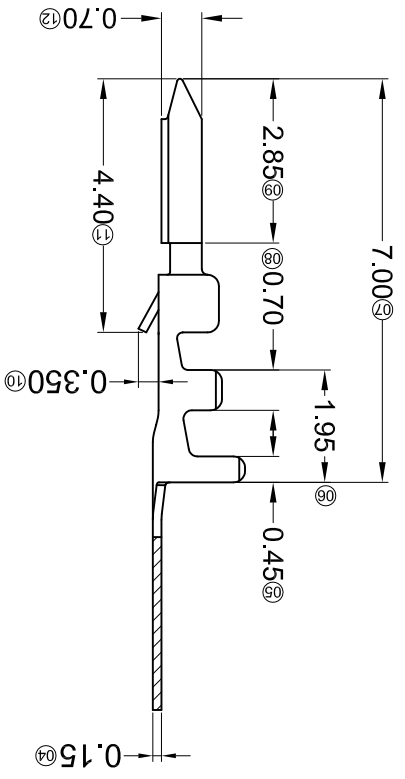
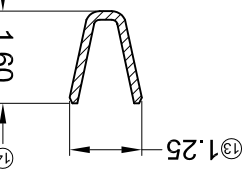
SECTION: C-C
 SCALE: 1:1



SECTION: B-B
 SCALE: 1:1



SECTION: A-A
 SCALE: 1:1



- ① Series Number
 X9821 T M-P XX X-X
 ② Category: T-terminal
 ③ Shape: M-male
 ④ Material: P-Phosphor bronze
 ⑤ Plating style: V01-Gold Flash; SN-Bright tin plating
 ⑥ Plating method: Blank-Stamping before plating
 ⑦ Mold No./Mark/Special No.

- Specifications:
- Voltage rating: 125V AC / DC
 - Current rating: 1A AC / DC
 - Withstanding voltage: 250V AC/minute
 - Temperature range: -25°C~+85°C
 - Insulation resistance: ≥100MΩ
 - Contact resistance: ≤20mΩ
 - After environmental testing: ≤40mΩ

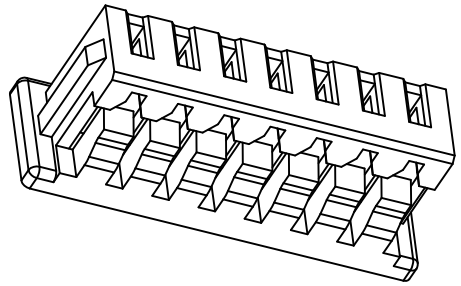
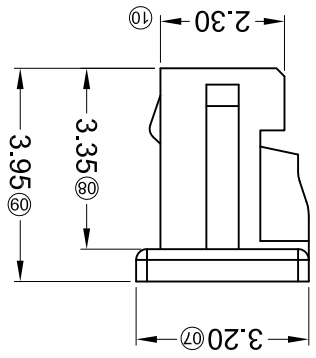
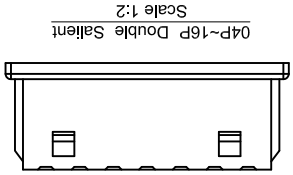
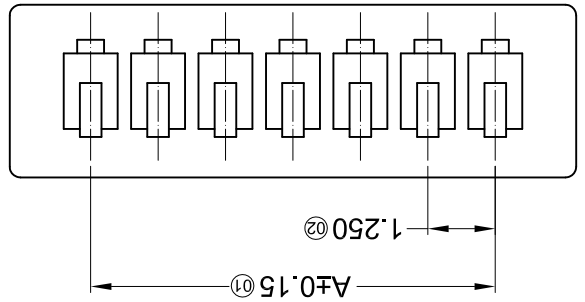
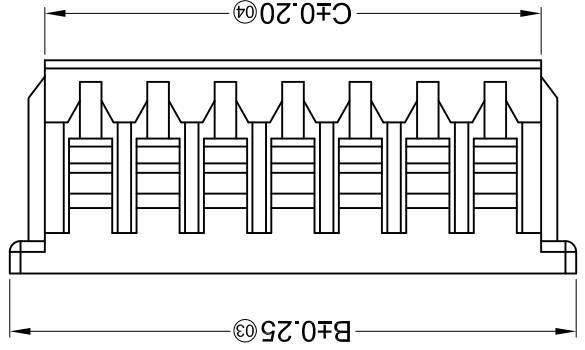
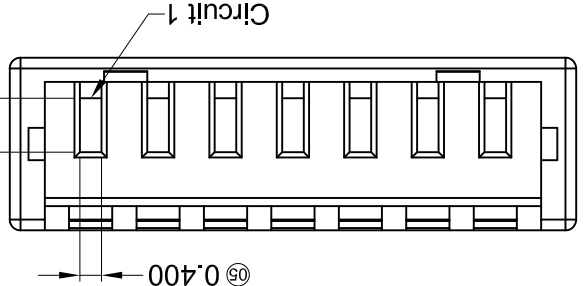
PART NO	Material	Wire Range	Insulation O.D.	Finish	Suitable XKB
X9821TM-PV01	Phosphor Bronze	AWG#26-32	1.00mm(Max)	Stamping Before Plating:30u" Min N/Whole Gold	X9821HF
X9821TM-PSN				Stamping Before Plating:30u" Min N/ 70u"Sn Min	

For and on behalf of
XKB INDUSTRIAL PRECISION CO., LIMITED
 香港星洲工業精密有限公司

REVISIONS
 Authorized Signatures(s)

MARK	DESCRIPTION	DATE	REVISED	APPROVED	UNSPECIFIED TOLERANCES
△ X					L > 63
△ X					16 < L ≤ 63
△ X					4 < L ≤ 16
△ X					L ≤ 4
					ANGULAR
					±5°

DSND	DATE	SCALE: N/A	MODEL TYPE: X9821H-XXA-XXXX
DWN	DATE <td>VIEW: </td> <td>PART NO.:</td>	VIEW:	PART NO.:
CHKD	DATE <td>UNIT: mm</td> <td>DWG NO.:</td>	UNIT: mm	DWG NO.:
APPD	DATE <td>SIZE: A4</td> <td>WEIGHT: 1.0g</td>	SIZE: A4	WEIGHT: 1.0g
			SHEET: 1/1
			REVISION: A0



PART NO	Material	Suitable XKB Terminal	PART NO
X9821H-XXA-PT	PBT UL 94V-0	Suitable XKB Terminal	X9821H-XXA-N0
X9821H-XXA-N0HF	Nylon 66 UL 94V-0 Halogen-Free	Suitable XKB Terminal	X9821H-XXA-N0
X9821H-XXA-PT	PBT UL 94V-0	Suitable XKB Terminal	X9821H-XXA-N0HF

Poles	Dimensions(mm)		
	A	B	C
02	1.25	4.25	2.95
03	2.50	5.50	4.20
04	3.75	6.75	5.45
05	5.00	8.00	6.70
06	6.25	9.25	7.95
07	7.50	10.50	9.20
08	8.75	11.75	10.45
09	10.00	13.00	11.70
Poles			
A			
B			
C			
Dimensions(mm)			
02	11.25	14.25	12.95
03	12.50	15.50	14.20
04	13.75	16.75	15.45
05	15.00	18.00	16.70
06	16.25	19.25	17.95
07	17.50	20.50	19.20
08	18.75	21.75	20.45
09	20.00	23.00	21.70

X9821 H X-XX A-XX HF
 ① ② ③ ④ ⑤ ⑥ ⑦

- ① Series No.
- ② Category: H-HSG
- ③ Welding Board Angle: Blank-ordinary
- ④ Row No./Pin No.: XX-02P~16P
- ⑤ Plug the Pin & special No.: A-No Gap
- ⑥ Material: NO-PA66 94V-0; PT-PBT UL 94V-0
- ⑦ HF-Halogen free

- Specifications:
- Voltage rating: 125V AC / DC
 - Current rating: 1A AC / DC
 - Withstanding voltage: 250V AC/minute
 - Temperature range: -25°C~+85°C
 - Insulation resistance: ≥100MΩ
 - Contact resistance: ≤20mΩ
 - After environmental testing: ≤40mΩ

For and on behalf of
XKB INDUSTRIAL PRECISION CO., LIMITED
 香港星洲工業精密有限公司

REVISIONS
 Authorized Signatures(s)

MARK	DESCRIPTION	DATE	REVISED	APPROVED	UNSPECIFIED TOLERANCES
△ X					$L > \leq 63$
△ X					$16 < L \leq 63$
△ X					$4 < L \leq 16$
△ X					$L \leq 4$
					ANGULAR $\pm 5^\circ$

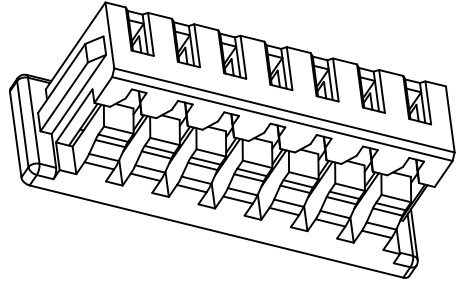
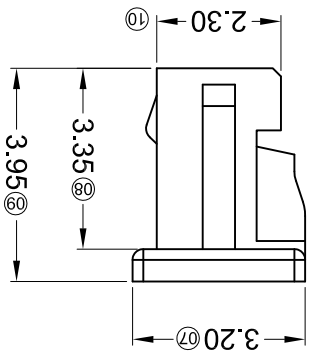
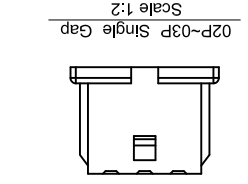
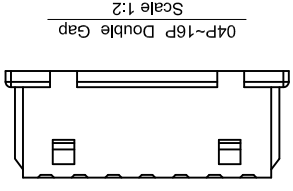
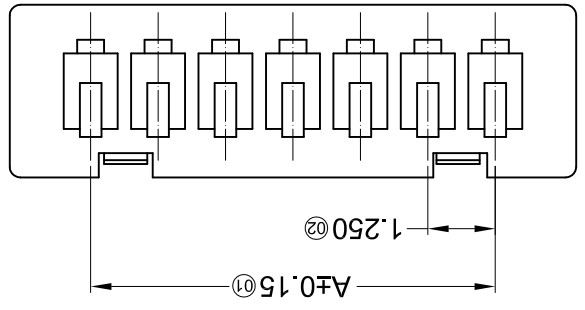
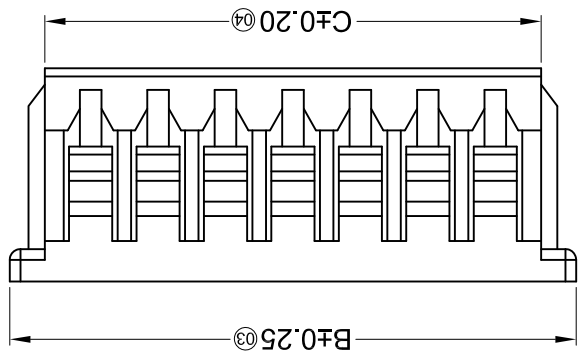
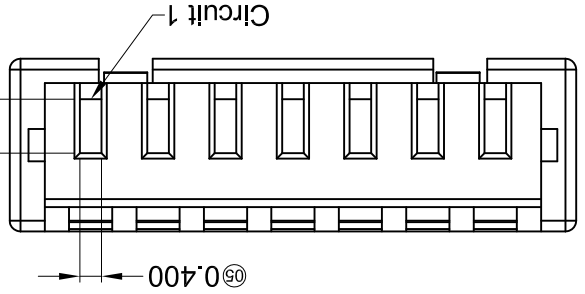
REVISION	SHEET	WEIGHT	SIZE: A4
A0	1/1	1.0g	

XKB INDUSTRIAL PRECISION CO., LIMITED

APPD	DATE	DATE	DATE

CHKD	DATE	VIEW:	UNIT: mm

DWN	DATE	SCALE: N/A	MODEL TYPE: X9821H-XXXX-XXXX



PART NO	Material	Suitable XKB Terminal
X9821H-XX-N0	Nylon 66 UL 94V-0	Suitable XKB Terminal
X9821H-XX-N0HF	Nylon 66 UL 94V-0 Halogen-Free	
X9821H-XX-PT	PBT UL 94V-0	Suitable XKB Terminal

Poles	Dimensions(mm)		
	A	B	C
09	10.00	13.00	11.70
08	8.75	11.75	10.45
07	7.50	10.50	9.20
06	6.25	9.25	7.95
05	5.00	8.00	6.70
04	3.75	6.75	5.45
03	2.50	5.50	4.20
02	1.25	4.25	2.95
C	A	B	C

- ① Series No. X9821 H X-XX XX-N0 HF
- ② Category: H-HSG
- ③ Welding Board Angle: Blank-ordinary
- ④ Row No./Pin No.: XX-02P~16P
- ⑤ Plug the Pin & special No.:
- ⑥ Material: N0-PA66 94V-0; PT-PBT UL 94V-0
- ⑦ HF-Halogen free

- Specifications:
- Voltage rating: 125V AC / DC
 - Current rating: 1A AC / DC
 - Withstanding voltage: 250V AC/minute
 - Temperature range: -25°C~+85°C
 - Insulation resistance: ≥100MΩ
 - Contact resistance: ≤20mΩ
 - After environmental testing: ≤40mΩ

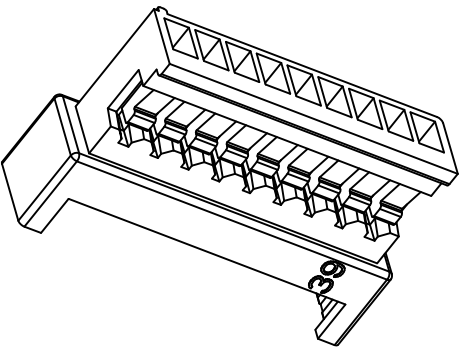
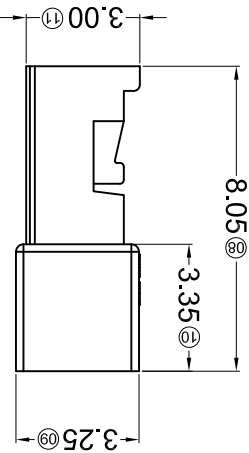
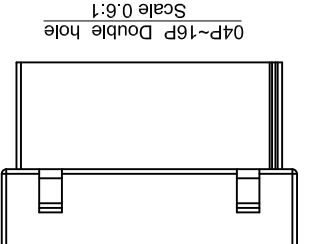
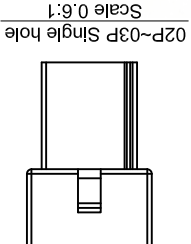
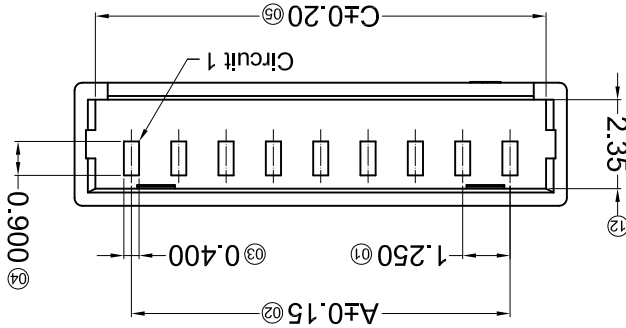
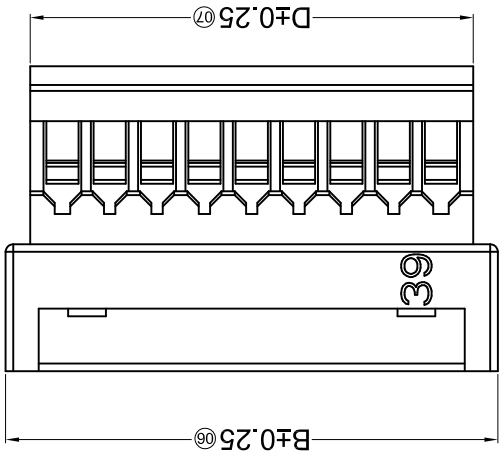
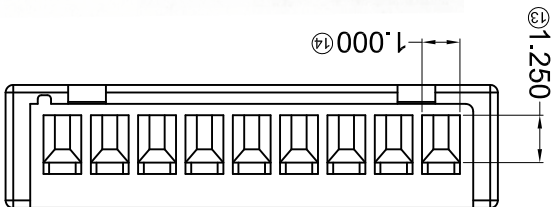
For and on behalf of
XKB INDUSTRIAL PRECISION CO., LIMITED
 香港星坤工業精密有限公司

REVISIONS
 Authorized Signature(s)

MARK	DESCRIPTION	DATE	REVISED	APPROVED	UNSPECIFIED TOLERANCES
△ X					L > 63
△ X					16 < L ≤ 63
△ X					4 < L ≤ 16
△ X					L ≤ 4
					ANGULAR
					±5°

DSND	DATE	SCALE: N/A	MODEL TYPE: X9821HF-XX-N0XX
APPD	DATE <td>SIZE: A4</td> <td></td>	SIZE: A4	
CHKD	DATE <td>UNIT: mm</td> <td>DWG NO.:</td>	UNIT: mm	DWG NO.:
DWN	DATE <td>VIEW: </td> <td>PART NO.:</td>	VIEW:	PART NO.:
			1.25mm Crimp Style Connectors

REVISION	SHEET	WEIGHT	8
A0	1/1	1.0g	7



PART NO	Material	Suitable XKB Terminal	Suitable XKB Terminal
X9821HF-XX-PT	PBT UL 94V-0	X9821TM	X9821H
X9821HF-XX-N0HF	Nylon 66 UL 94V-0 Halogen-free		
X9821HF-XX-N0	Nylon 66 UL 94V-0		

Poles	Dimensions(mm)															
	A	B	C	D	Poles											
02	1.25	4.25	3.15	2.95	10	11.25	14.25	13.15	12.95	14.40	15.50	14.20	14.20	13.75	15.45	16.70
03	2.50	5.50	4.40	4.20	11	12.50	15.50	14.40	14.20	14.40	15.50	14.20	14.20	13.75	15.45	16.70
04	3.75	6.75	5.65	5.45	12	13.75	16.75	15.65	15.45	15.65	16.75	15.45	15.45	15.65	16.75	18.00
05	5.00	8.00	6.90	6.70	13	15.00	18.00	16.90	16.70	16.90	18.00	16.70	16.70	16.90	18.00	19.20
06	6.25	9.25	8.15	7.95	14	16.25	19.25	18.15	17.95	18.15	19.25	17.95	17.95	18.15	19.25	20.45
07	7.50	10.50	9.40	9.20	15	17.50	20.50	19.40	19.20	19.40	20.50	19.20	19.20	19.40	20.50	21.75
08	8.75	11.75	10.65	10.45	16	18.75	21.75	20.65	20.45	20.65	21.75	20.45	20.45	20.65	21.75	23.00
09	10.00	13.00	11.90	11.70	17	20.00	23.00	21.90	21.70	21.90	23.00	21.70	21.70	21.90	23.00	24.25

- ① Series No.
- ② Category: H-HSG
- ③ Welding Board Angle: F-Female HSG
- ④ Row No.-Pin No.: XX-02P~16P
- ⑤ Plug the Pin & special No.:
- ⑥ Material: N0-PA66 94V-0; PT-PBT UL 94V-0
- ⑦ HF-Halogen free

X9821 H F-XX X-N0 HF
 ① ② ③ ④ ⑤ ⑥ ⑦

- Voltage rating: 125V AC / DC
- Current rating: 1A AC / DC
- Withstanding voltage: 250V AC/minute
- Temperature range: -25°C~+85°C
- Insulation resistance: ≥100MΩ
- Contact resistance: ≤20mΩ
- After environmental testing: ≤40mΩ

■ Specifications :

For and on behalf of
XKB INDUSTRIAL PRECISION CO., LIMITED
 香港星坤工業精密有限公司

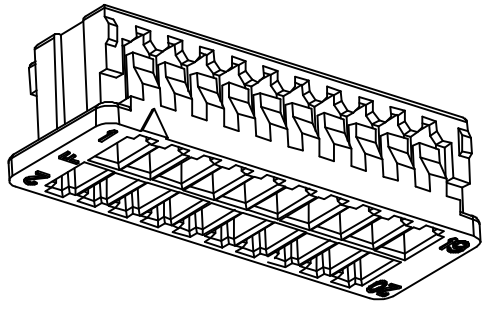
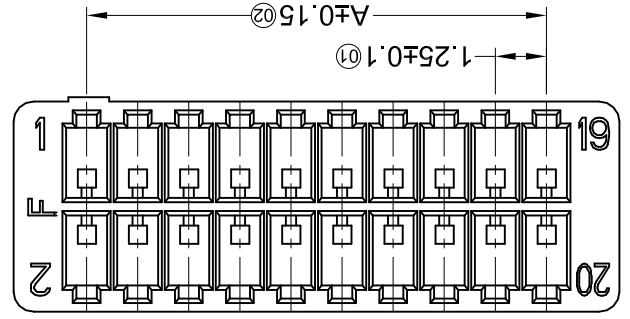
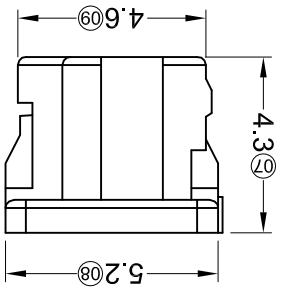
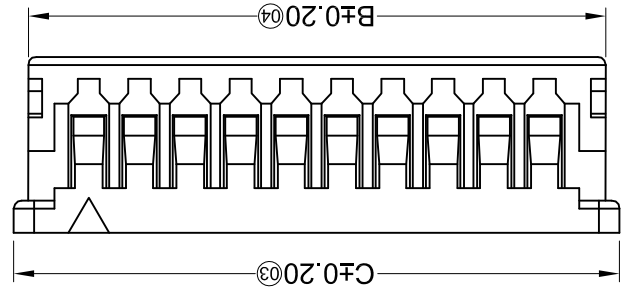
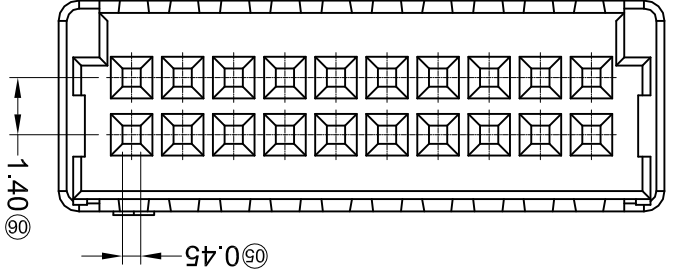
REVISIONS
 Authorized Signature(s)

MARK	DESCRIPTION	DATE	REVISED	APPROVED	UNSPECIFIED TOLERANCES
△ X					L > 63
△ X					16 < L ≤ 63
△ X					4 < L ≤ 16
△ X					L ≤ 4
					ANGULAR
					±5°

REVISION	SHEET	WEIGHT	DATE	DATE	DATE	DATE	DATE	DATE
A0	1/1	1.0g						

DSND	DWN	CHKD	APPD
DATE	DATE	DATE	DATE
SCALE: N/A	VIEW:	UNIT: mm	SIZE: A4
MODEL TYPE: X9821H-2*XX-N0	PART NO.:	DWG NO.:	

PART NO	Material	Suitable XKB Terminal	Suitable XKB Terminal
X9821H-2*XX-N0	Nylon 66 UL 94V-0	X9821T-A	X9821W



Poles	Dimensions(mm)		
	A	B	C
2*05	5.00	8.00	8.70
2*10	11.25	14.25	14.95
2*15	17.50	20.50	21.20
2*20	23.75	26.75	27.45

- ① Series No.
- ② Category: H-HSG
- ③ Welding Board Angle: Blank-ordinary
- ④ Row No.-Pin No.: 2*XX-02P~16P
- ⑤ Plug the Pin & special No.:
- ⑥ Material: NO-PA66 94V-0;
- ⑦ Color: Blank-natural color

X9821 H X-2*XX XX-N0 XX

- Voltage rating: 125V AC / DC
- Current rating: 1A AC / DC
- Withstanding voltage: 250V AC/minute
- Temperature range: -25°C~+85°C
- Insulation resistance: ≥100MΩ
- Contact resistance: ≤20mΩ
- After environmental testing: ≤40mΩ

■ Specifications :

X-ON Electronics

Largest Supplier of Electrical and Electronic Components

Click to view similar products for [Headers & Wire Housings](#) category:

Click to view products by [XKB](#) manufacturer:

Other Similar products are found below :

[95000-104TRLF](#) [10135584-644402LF](#) [DF62W-EP2022PCA](#) [95000-106TRLF](#) [DF62W-2022SCA](#) [DF62W-EP2022PC](#) [2203348](#) [DF62W-2022SC](#) [1084018](#) [1029039](#) [1084017](#) [802-10-012-10-002000](#) [1112640](#) [1112639](#) [891-007-9SS-BST1T](#) [000-34000](#) [0008550134](#) [0009482033](#) [0009507031](#) [57102-F02-18ULF](#) [57102-S06-03LF](#) [57202-S52-04LF](#) [PCN6-15S-2.5E](#) [0039019024](#) [58102-G61-06LF](#) [582553-1](#) [0009485154](#) [0009508121](#) [0022285053](#) [0050291907](#) [018731A](#) [LY20-4P-DT1-P1E-BR](#) [02.125.8002.8](#) [60101931](#) [60598-1 \(Cut Strip\)](#) [M1625-3R/100](#) [61062-3](#) [61082-181009](#) [CSU011177004](#) [636-1427](#) [638009-1](#) [641938-9](#) [641991-4](#) [644168-1](#) [644827-2](#) [647662-1](#) [65039-019ELF](#) [65692-001LF](#) [65781-018](#) [65781-047](#)