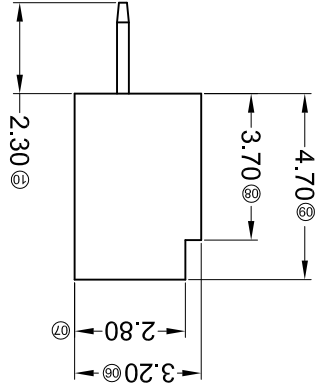
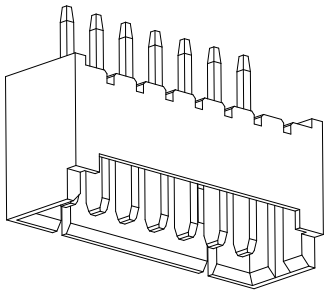
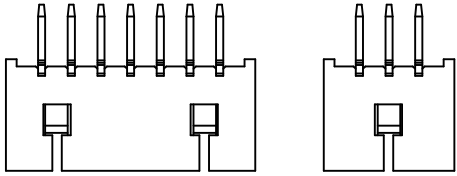


Recommended P.C.B Layout  
General Tolerance±0.05

02P~03P Single Gap  
Scale 0.6:1

04P~16P Double Gap  
Scale 0.6:1



REVISIONS		APPROVED			REVISED			DATE			DESCRIPTION			MARK
△	X													
△	X													
△	X													

For and on behalf of  
XKB INDUSTRIAL PRECISION CO., LIMITED  
香港星洲工業精密有限公司

UNSPECIFIED TOLERANCES		APPROVED			REVISED			DATE			DESCRIPTION			MARK
±5°	ANGULAR													
±0.2	L ≤ 4													
±0.3	4 < L ≤ 16													
±0.4	16 < L ≤ 63													
±0.5	L > 63													

UNSPECIFIED TOLERANCES		APPROVED			REVISED			DATE			DESCRIPTION			MARK
±5°	ANGULAR													
±0.2	L ≤ 4													
±0.3	4 < L ≤ 16													
±0.4	16 < L ≤ 63													
±0.5	L > 63													

PART NO	Material	Material(Pin)	Finish(Pin)	Suitable XKB Terminal
9821WV-XX-LPSN	LCP UL 94V-0	Phorphos Bronze	Tin-Plated	X9821H
9821WV-XX-6TSN	PA6T UL 94V-0	Phorphos Bronze	Tin-Plated	X9821H
9821WV-XX-46SN	PA46 UL 94V-0	Phorphos Bronze	Tin-Plated	X9821H
9821WV-XX-N0SN	PA66 UL 94V-0	Phorphos Bronze	Tin-Plated	X9821H

Poles	Dimensions(mm)			Poles	Dimensions(mm)		
	A	B	C		A	B	C
02	1.25	4.25	3.15	10	11.25	14.25	13.15
03	2.50	5.50	4.40	11	12.50	15.50	14.40
04	3.75	6.75	5.65	12	13.75	16.75	15.65
05	5.00	8.00	6.90	13	15.00	18.00	16.90
06	6.25	9.25	8.15	14	16.25	19.25	18.15
07	7.50	10.50	9.40	15	17.50	20.50	19.40
08	8.75	11.75	10.65	16	18.75	21.75	20.65
09	10.00	13.00	11.90				

- ① Series No.  
② Category: W-water  
③ Welding Board Angle: V- Straight 180°  
④ Welding Way: Blank-DIP  
⑤ Row No.-Pin No.: XX-02P~16P  
⑥ Plug the Pin & Special No.:  
⑦ Material: 46-PA46 94V-0; NO-PA66 94V-0  
⑧ 6T-PA6T 94V-0; LP-LCP 94V-0  
⑨ Planting Category: SN-Bright tin plating; SW-Matte Tin plating  
⑩ Color: Blank-natural color

- Specifications:
- Voltage rating: 125V AC / DC
  - Current rating: 1A AC / DC
  - Withstanding voltage: 250V AC/minute
  - Temperature range: -25°C~+85°C
  - Insulation resistance: ≥100MΩ
  - Contact resistance: ≤20mΩ
  - After environmental testing: ≤40mΩ

PART NO	Material	Material(Pin)	Finish(Pin)	Suitable XKB Terminal
9821WV-XX-LPSN	LCP UL 94V-0	Phorphos Bronze	Tin-Plated	X9821H
9821WV-XX-6TSN	PA6T UL 94V-0	Phorphos Bronze	Tin-Plated	X9821H
9821WV-XX-46SN	PA46 UL 94V-0	Phorphos Bronze	Tin-Plated	X9821H
9821WV-XX-N0SN	PA66 UL 94V-0	Phorphos Bronze	Tin-Plated	X9821H

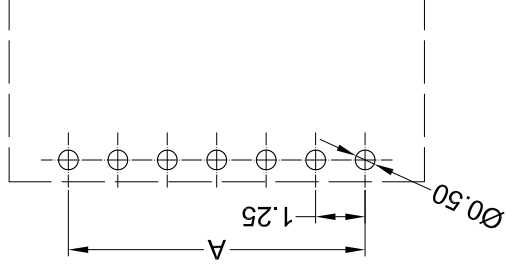
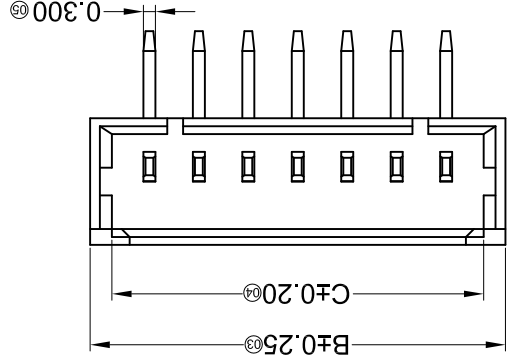
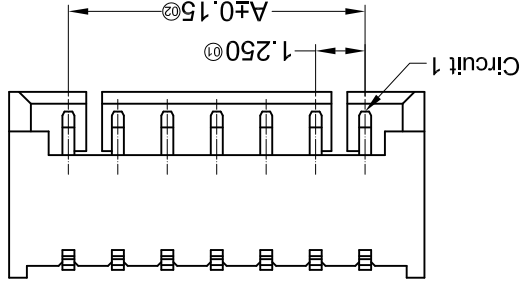
Poles	Dimensions(mm)			Poles	Dimensions(mm)		
	A	B	C		A	B	C
02	1.25	4.25	3.15	10	11.25	14.25	13.15
03	2.50	5.50	4.40	11	12.50	15.50	14.40
04	3.75	6.75	5.65	12	13.75	16.75	15.65
05	5.00	8.00	6.90	13	15.00	18.00	16.90
06	6.25	9.25	8.15	14	16.25	19.25	18.15
07	7.50	10.50	9.40	15	17.50	20.50	19.40
08	8.75	11.75	10.65	16	18.75	21.75	20.65
09	10.00	13.00	11.90				

- ① Series No.  
② Category: W-water  
③ Welding Board Angle: V- Straight 180°  
④ Welding Way: Blank-DIP  
⑤ Row No.-Pin No.: XX-02P~16P  
⑥ Plug the Pin & Special No.:  
⑦ Material: 46-PA46 94V-0; NO-PA66 94V-0  
⑧ 6T-PA6T 94V-0; LP-LCP 94V-0  
⑨ Planting Category: SN-Bright tin plating; SW-Matte Tin plating  
⑩ Color: Blank-natural color

- Specifications:
- Voltage rating: 125V AC / DC
  - Current rating: 1A AC / DC
  - Withstanding voltage: 250V AC/minute
  - Temperature range: -25°C~+85°C
  - Insulation resistance: ≥100MΩ
  - Contact resistance: ≤20mΩ
  - After environmental testing: ≤40mΩ

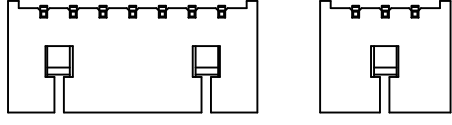
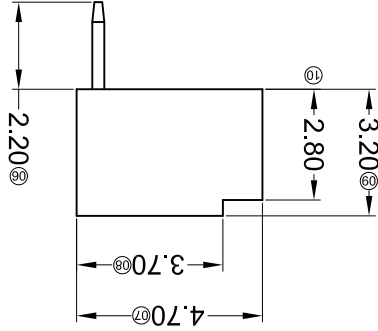
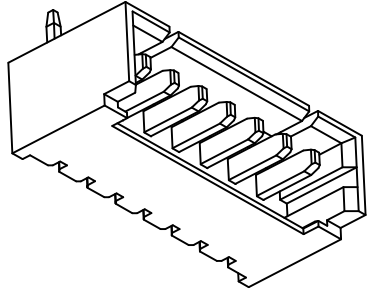






Recommended P.C.B Layout  
General Tolerance±0.05

For and on behalf of  
**XKB INDUSTRIAL PRECISION CO., LIMITED**  
香港星坤工業精密有限公司



MARK	DESCRIPTION	DATE	REVISOR	APPROVED	UNSPECIFIED TOLERANCES
△ X					±0.5
△ X					16 > L ≤ 63
△ X					4 < L ≤ 16
△ X					L ≤ 4
					ANGULAR ±5°

PART NO	Material	Material(Pin)	Finish(Pin)	Suitable XKB Terminal
X9821WR-XX-N0SN	PA66 UL 94V-0	Brass	Tin-Plated	X9821H
X9821WR-XX-46SN	PA46 UL 94V-0	Brass	Tin-Plated	
PA6T UL 94V-0				

Poles	Dimensions(mm)			Poles	Dimensions(mm)		
	A	B	C		A	B	C
02	1.25	4.25	3.15	10	11.25	14.25	13.15
03	2.50	5.50	4.40	11	12.50	15.50	14.40
04	3.75	6.75	5.65	12	13.75	16.75	15.65
05	5.00	8.00	6.90	13	15.00	18.00	16.90
06	6.25	9.25	8.15	14	16.25	19.25	18.15
07	7.50	10.50	9.40	15	17.50	20.50	19.40
08	8.75	11.75	10.65	16	18.75	21.75	20.65
09	10.00	13.00	11.90				

X9821 W R X-XX X-XX SN XX  
① ② ③ ④ ⑤ ⑥ ⑦ ⑧ ⑨

- Specifications :
- Voltage rating: 125V AC / DC
  - Current rating: 1A AC / DC
  - Withstanding voltage: 250V AC/minute
  - Temperature range: -25°C~+85°C
  - Insulation resistance: ≥100MΩ
  - Contact resistance: <20mΩ
  - After environmental testing: ≤40mΩ

- ① Series No.
- ② Category: W-water
- ③ Welding Board Angle: R- Right Angle 90°
- ④ Welding Way: Blank-DIP
- ⑤ Row No.-Pin No.: XX-02P~16P
- ⑥ Plug the Pin & Special No.:
- ⑦ Material: 46-PA46 94V-0 ; NO-PA66 94V-0 ; 6T-PA6T 94V-0
- ⑧ Planting Category: SN-Bright tin plating ; SW-MatteTin plating
- ⑨ Color: Blank-natural color

DSND	DATE	SCALE: N/A	MODEL TYPE: X9821WR-XX-XXSN
APPD	DATE <td>SIZE: A4</td> <td></td>	SIZE: A4	
CHKD	DATE <td>UNIT: mm</td> <td>DWG NO.:</td>	UNIT: mm	DWG NO.:
DWN	DATE <td>VIEW: </td> <td>PART NO.:</td>	VIEW:	PART NO.:
			1.25mm Crimp Style Connectors
			WEIGHT 1.0g
			SHEET 1/1
			REVISION A0

**XKB INDUSTRIAL PRECISION CO., LIMITED**

REVISIONS  
*Authorized Signatures(s)*



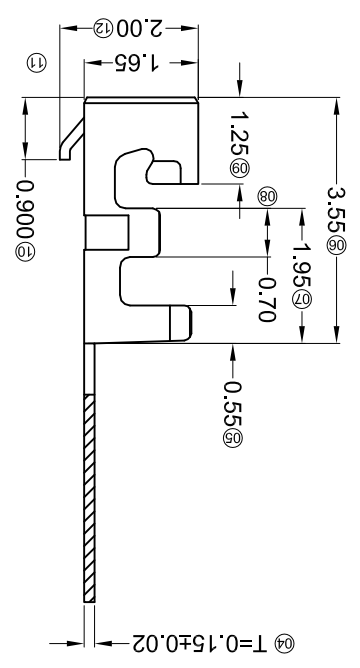
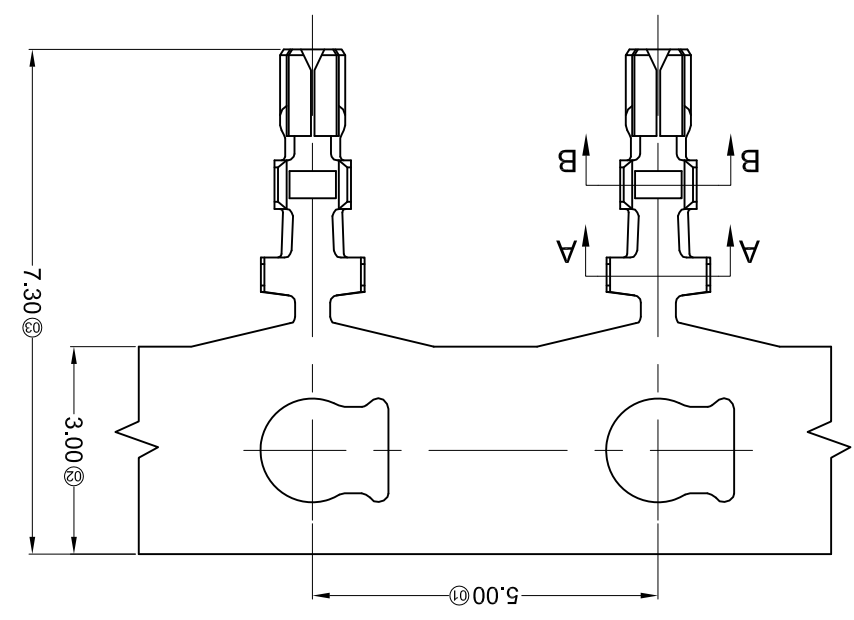
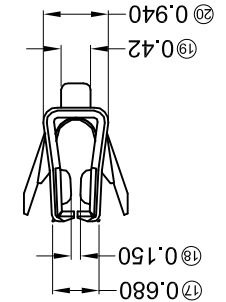
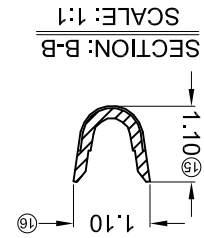
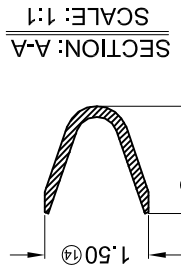


For and on behalf of  
**XKB INDUSTRIAL PRECISION CO., LIMITED**  
 香港星坤工業精密有限公司

MARK	DESCRIPTION	DATE	REVISED	APPROVED	UNSPECIFIED TOLERANCES	
					L > 63	± 0.5
△ X					16 < L ≤ 63	± 0.4
△ X					4 < L ≤ 16	± 0.3
△ X					L ≤ 4	± 0.2
					ANGULAR	± 5°

REVISIONS		UNSPECIFIED TOLERANCES		XKB INDUSTRIAL PRECISION CO., LIMITED	
DATE	REVISION	APPROVED	REVISED	APPD	DATE
DATE	REVISION	APPROVED	REVISED	CHKD	DATE
DATE	REVISION	APPROVED	REVISED	DWN	DATE
DATE	REVISION	APPROVED	REVISED	DSND	DATE

PART NO	Material	Wire Range	Insulation O.D.	Finish	Suitable XKB
X9821T-PV0-1A	Phosphor Bronze	AWG#28-32	1.00mm(Max)	Stamping Before Plating:30u" Ni/Whole Gold :Gold Flash	X9821H-2*XX
X9821T-PSN-A				Stamping Before Plating:30u" Min Ni:70"Sn Min	



- X9821 T X-P XX X-A
- Series Number
  - Category: T-terminal
  - Shape: Blank-ordinary
  - Material: P-Phosphor bronze
  - Plating style: SN-Bright tin plating ;
  - V01-All Gold Flash
  - Plating method:
  - Blank-Stamping before plating
  - Mold No./Mark/Special No.
  - A-Mate with 9821H-2\*XX

- Specifications :
- Voltage rating: 125V AC / DC
  - Current rating: 1A AC / DC
  - Withstanding voltage: 250V AC/minute
  - Temperature range: -25°C~+85°C
  - Insulation resistance: ≥100MΩ
  - Contact resistance: ≤20mΩ
  - After environmental testing: ≤40mΩ

8 7 6 5 4 3 2 1

A B C D E F





For and on behalf of  
**XKB INDUSTRIAL PRECISION CO., LIMITED**  
 香港星坤工業精密有限公司

REVISIONS  
 Authorized Signature(s)

MARK	DESCRIPTION	DATE	REVISED	APPROVED	UNSPECIFIED TOLERANCES
△ X					L > 63 ± 0.5
△ X					16 < L ≤ 63 ± 0.4
△ X					4 < L ≤ 16 ± 0.3
△ X					L ≤ 4 ± 0.2
					ANGULAR ± 5°

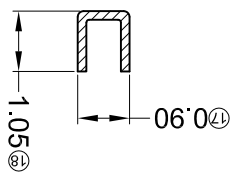
REVISION	SHEET	WEIGHT	SIZE: A4	DATE	DATE	DATE	DATE
A0	1/1	1.0g					

**XKB INDUSTRIAL PRECISION CO., LIMITED**

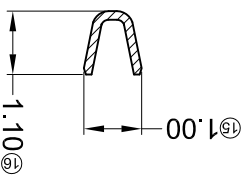
APPD	CHKD	DWN	DSND

UNIT: mm	VIEW:	SCALE: N/A
DWG NO.: 1.25mm Crimp Style Connectors	PART NO.: X9821TM-PXX	MODEL TYPE: X9821TM-PXX

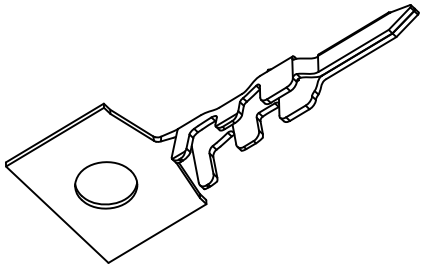
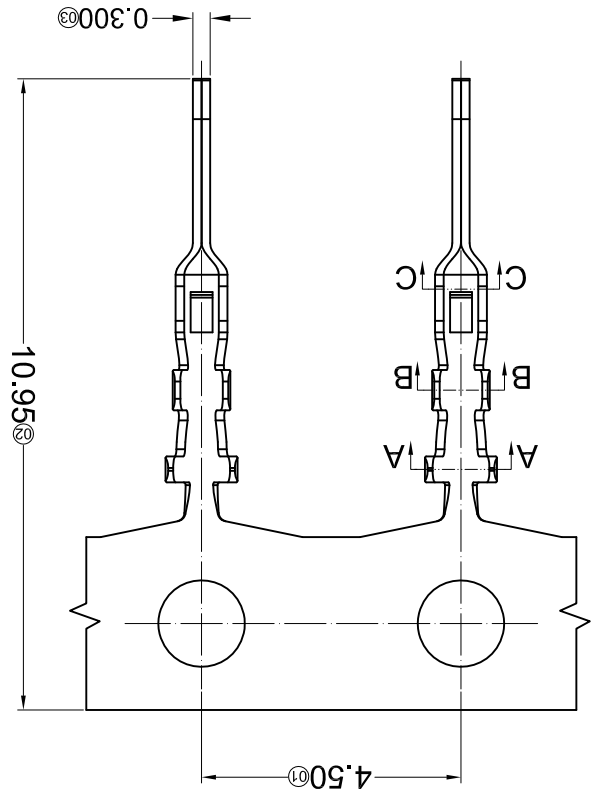
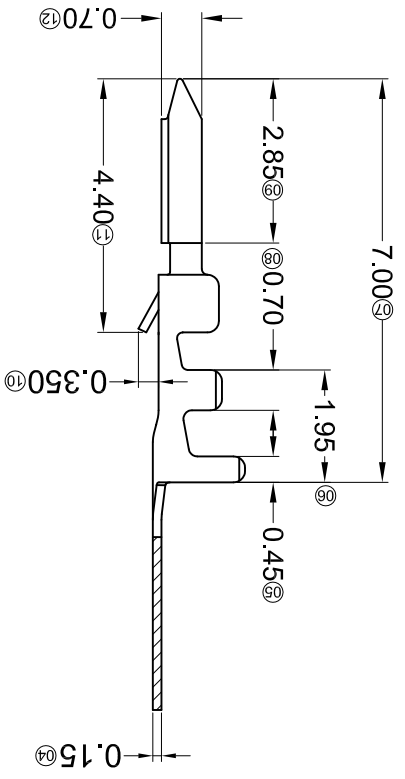
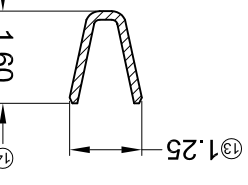
SECTION: C-C  
 SCALE: 1:1



SECTION: B-B  
 SCALE: 1:1



SECTION: A-A  
 SCALE: 1:1



X9821 T M-P XX X-X

① Series Number

② Category: T-terminal

③ Shape: M-male

④ Material: P-Phosphor bronze

⑤ Plating style: V01-Gold Flash; SN-Bright tin plating

⑥ Plating method: Blank-Stamping before plating

⑦ Mold No./Mark/Special No.

- Specifications:
- Voltage rating: 125V AC / DC
  - Current rating: 1A AC / DC
  - Withstanding voltage: 250V AC/minute
  - Temperature range: -25°C~+85°C
  - Insulation resistance: ≥100MΩ
  - Contact resistance: ≤20mΩ
  - After environmental testing: ≤40mΩ

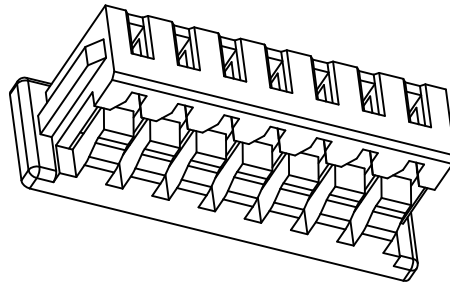
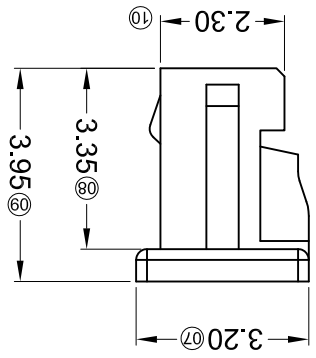
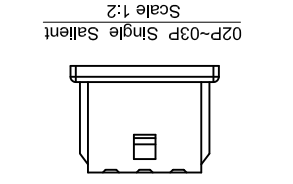
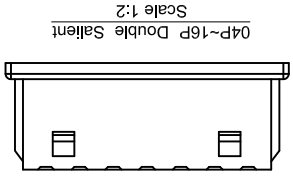
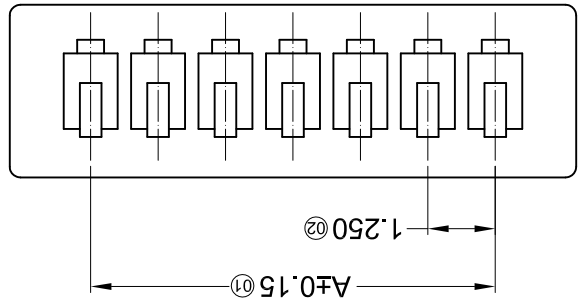
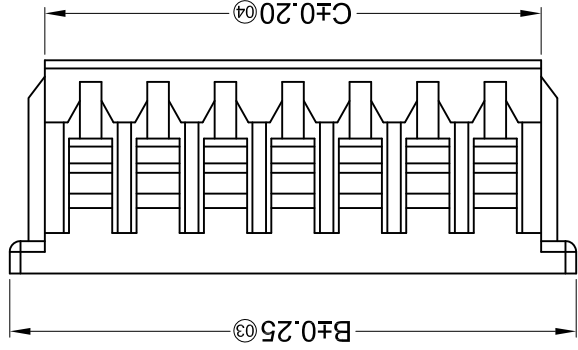
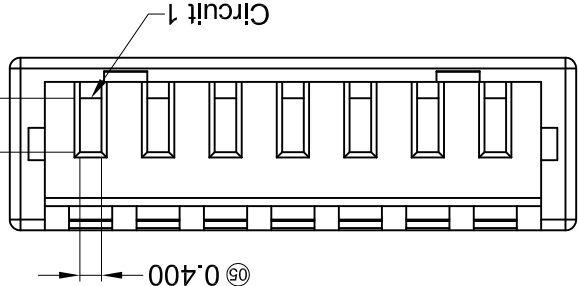
PART NO	Material	Wire Range	Insulation O.D.	Finish	Suitable XKB
X9821TM-PV01	Phosphor Bronze	AWG#26-32	1.00mm(Max)	Stamping Before Plating:30u" Min N/Whole Gold	X9821HF
X9821TM-PSN				Stamping Before Plating:30u" Min N/ 70u"Sn Min	

For and on behalf of  
**XKB INDUSTRIAL PRECISION CO., LIMITED**  
 香港星洲工業精密有限公司

REVISIONS  
 Authorized Signatures(s)

MARK	DESCRIPTION	DATE	REVISED	APPROVED	UNSPECIFIED TOLERANCES
△ X					L > 63
△ X					16 < L ≤ 63
△ X					4 < L ≤ 16
△ X					L ≤ 4
					ANGULAR
					±5°

DSND	DATE	SCALE: N/A	MODEL TYPE: X9821H-XXA-XXXX
DWN	DATE <td>VIEW: </td> <td>PART NO.:</td>	VIEW:	PART NO.:
CHKD	DATE <td>UNIT: mm</td> <td>DWG NO.:</td>	UNIT: mm	DWG NO.:
APPD	DATE <td>SIZE: A4</td> <td>WEIGHT 1.0g</td>	SIZE: A4	WEIGHT 1.0g
			SHEET 1/1
			REVISION A0



PART NO	Material	Suitable XKB Terminal
X9821H-XXA-PT	PBT UL 94V-0	Suitable XKB Terminal
X9821H-XXA-N0HF	Nylon 66 UL 94V-0 Halogen-Free	Suitable XKB Terminal
X9821H-XXA-N0	Nylon 66 UL 94V-0	Suitable XKB Terminal

Poles	Dimensions(mm)		
	A	B	C
02	1.25	4.25	2.95
03	2.50	5.50	4.20
04	3.75	6.75	5.45
05	5.00	8.00	6.70
06	6.25	9.25	7.95
07	7.50	10.50	9.20
08	8.75	11.75	10.45
09	10.00	13.00	11.70
Poles			
A			
B			
C			
Dimensions(mm)			
02	11.25	14.25	12.95
03	12.50	15.50	14.20
04	13.75	16.75	15.45
05	15.00	18.00	16.70
06	16.25	19.25	17.95
07	17.50	20.50	19.20
08	18.75	21.75	20.45
09	20.00	23.00	21.70

X9821 H X-XX A-XX HF  
 ① ② ③ ④ ⑤ ⑥ ⑦

- ① Series No.
- ② Category: H-HSG
- ③ Welding Board Angle: Blank-ordinary
- ④ Row No./Pin No.: XX-02P~16P
- ⑤ Plug the Pin & special No.: A-No Gap
- ⑥ Material: NO-PA66 94V-0; PT-PBT UL 94V-0
- ⑦ HF-Halogen free

- Specifications:
- Voltage rating: 125V AC / DC
  - Current rating: 1A AC / DC
  - Withstanding voltage: 250V AC/minute
  - Temperature range: -25°C~+85°C
  - Insulation resistance: ≥100MΩ
  - Contact resistance: ≤20mΩ
  - After environmental testing: ≤40mΩ

For and on behalf of  
**XKB INDUSTRIAL PRECISION CO., LIMITED**  
 香港星坤工業精密有限公司

REVISIONS  
 Authorized Signatures(s)

MARK	DESCRIPTION	DATE	REVISED	APPROVED	UNSPECIFIED TOLERANCES
△ X					$L > \leq 63$
△ X					$16 < L \leq 63$
△ X					$4 < L \leq 16$
△ X					$L \leq 4$
					ANGULAR $\pm 5^\circ$

REVISION	SHEET	WEIGHT	SIZE: A4
A0	1/1	1.0g	

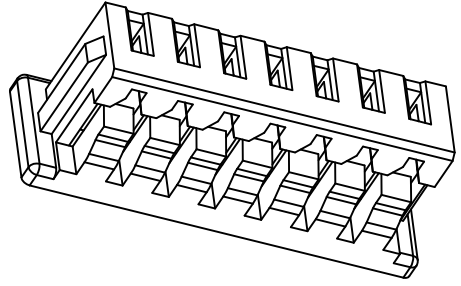
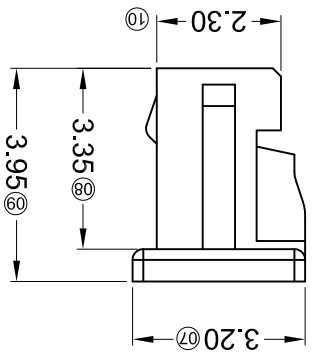
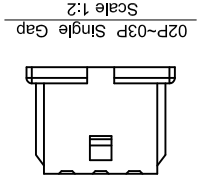
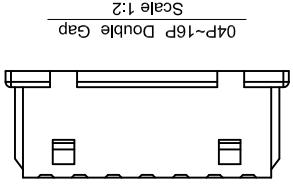
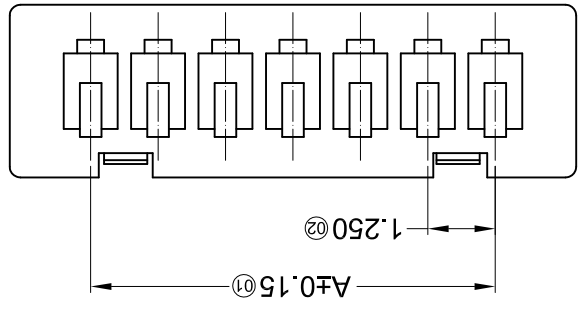
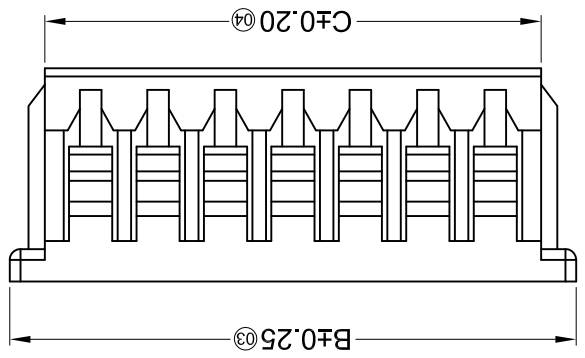
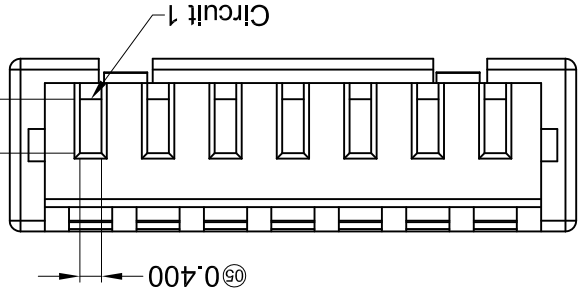
**XKB INDUSTRIAL PRECISION CO., LIMITED**

APPD	DATE	DATE	DATE

CHKD	DATE	UNIT: mm	DWG NO.:
			1.25mm Crimp Style Connectors

DWN	DATE	VIEW:	PART NO.:

DSND	DATE	SCALE: N/A	MODEL TYPE: X9821H-XXXX-XXXX



PART NO	Material	Suitable XKB Terminal
X9821H-XX-N0	Nylon 66 UL 94V-0	Suitable XKB Terminal
X9821H-XX-N0HF	Nylon 66 UL 94V-0 Halogen-Free	
X9821H-XX-PT	PBT UL 94V-0	Suitable XKB Terminal

Poles	Dimensions(mm)		
	A	B	C
02	1.25	4.25	12.95
03	2.50	5.50	14.20
04	3.75	6.75	15.45
05	5.00	8.00	16.70
06	6.25	9.25	17.95
07	7.50	10.50	19.20
08	8.75	11.75	20.45
09	10.00	13.00	21.70

- ① Series No. X9821 H X-XX XX-N0 HF  
 ② Category: H-HSG  
 ③ Welding Board Angle: Blank-ordinary  
 ④ Row No./Pin No.: XX-02P~16P  
 ⑤ Plug the Pin & special No.:  
 ⑥ Material: N0-PA66 94V-0; PT-PBT UL 94V-0  
 ⑦ HF-Halogen free

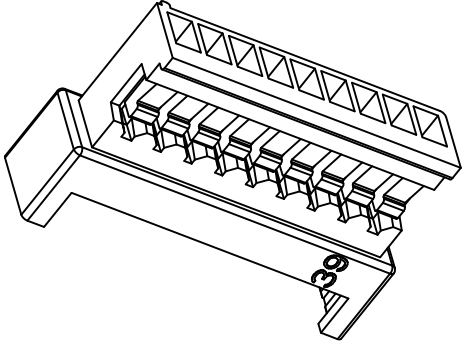
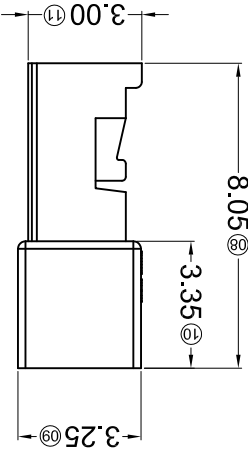
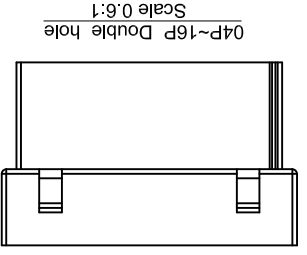
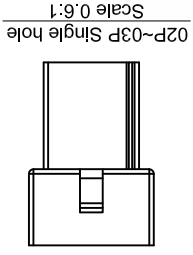
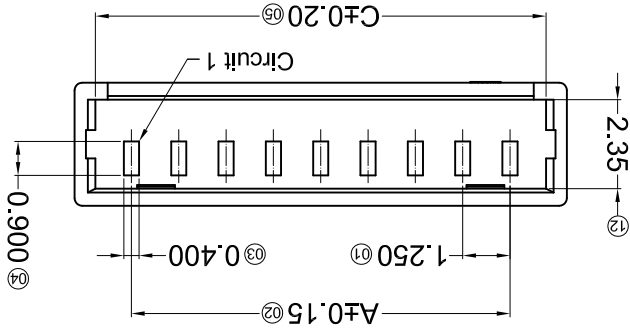
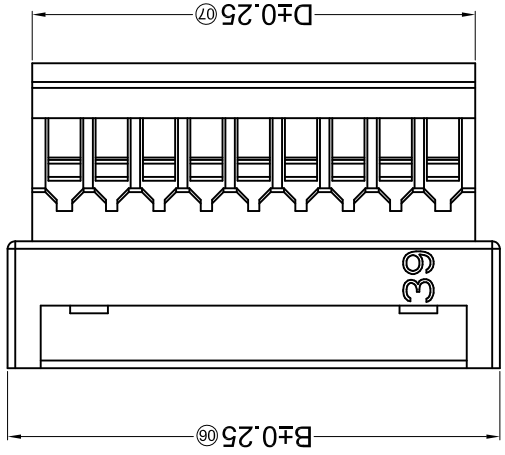
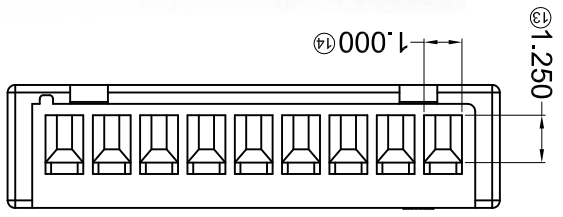
- Specifications:
- Voltage rating: 125V AC / DC
  - Current rating: 1A AC / DC
  - Withstanding voltage: 250V AC/minute
  - Temperature range: -25°C~+85°C
  - Insulation resistance: ≥100MΩ
  - Contact resistance: ≤20mΩ
  - After environmental testing: ≤40mΩ

For and on behalf of  
**XKB INDUSTRIAL PRECISION CO., LIMITED**  
 香港星坤工業精密有限公司

REVISIONS  
 Authorized Signature(s)

MARK	DESCRIPTION	DATE	REVISED	APPROVED	UNSPECIFIED TOLERANCES
△ X					L > 63
△ X					16 < L ≤ 63
△ X					4 < L ≤ 16
△ X					L ≤ 4
					ANGULAR
					±5°

DSND	DATE	SCALE: N/A	MODEL TYPE: X9821HF-XX-N0XX
APPD	DATE <td>SIZE: A4 <td></td> </td>	SIZE: A4 <td></td>	
CHKD	DATE <td>UNIT: mm <td>DWG NO.:</td> </td>	UNIT: mm <td>DWG NO.:</td>	DWG NO.:
DWN	DATE <td>VIEW: </td> <td>PART NO.:</td>	VIEW:	PART NO.:
			1.25mm Crimp Style Connectors
			WEIGHT 1.0g
			SHEET 1/1
			REVISION A0



PART NO	Material	Suitable XKB Terminal	Suitable XKB Terminal
X9821HF-XX-PT	PBT UL 94V-0	X9821TM	X9821H
X9821HF-XX-N0HF	Nylon 66 UL 94V-0 Halogen-free		
X9821HF-XX-N0	Nylon 66 UL 94V-0		

Poles	Dimensions(mm)															
	A	B	C	D	Poles											
02	1.25	4.25	3.15	2.95	10	11.25	14.25	13.15	12.95	14.40	15.50	16.75	15.65	15.45	16.70	
03	2.50	5.50	4.40	4.20	11	12.50	15.50	14.40	14.20	14.40	15.50	16.75	15.65	15.45	16.70	
04	3.75	6.75	5.65	5.45	12	13.75	16.75	15.65	15.45	16.70	16.90	18.00	16.90	16.70	17.95	
06	6.25	9.25	8.15	7.95	14	16.25	19.25	18.15	17.95	18.15	19.25	20.50	19.40	19.20	20.45	
07	7.50	10.50	9.40	9.20	15	17.50	20.50	19.40	19.20	19.40	20.50	21.75	20.65	20.45	21.70	
08	8.75	11.75	10.65	10.45	16	18.75	21.75	20.65	20.45	20.65	21.75	23.00	21.90	21.70	22.95	
09	10.00	13.00	11.90	11.70	17	20.00	23.00	21.90	21.70	21.90	23.00	24.25	23.15	22.95	24.20	

- ① Series No.
- ② Category: H-HSG
- ③ Welding Board Angle: F-Female HSG
- ④ Row No.-Pin No.: XX-02P~16P
- ⑤ Plug the Pin & special No.:
- ⑥ Material: N0-PA66 94V-0; PT-PBT UL 94V-0
- ⑦ HF-Halogen free

X9821 H F-XX X-N0 HF  
 ① ② ③ ④ ⑤ ⑥ ⑦

- Voltage rating: 125V AC / DC
- Current rating: 1A AC / DC
- Withstanding voltage: 250V AC/minute
- Temperature range: -25°C~+85°C
- Insulation resistance: ≥100MΩ
- Contact resistance: ≤20mΩ
- After environmental testing: ≤40mΩ

■ Specifications :

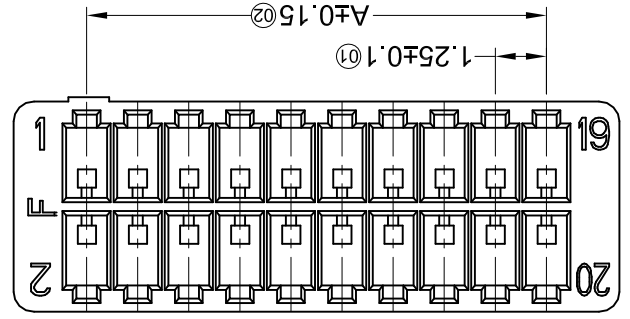
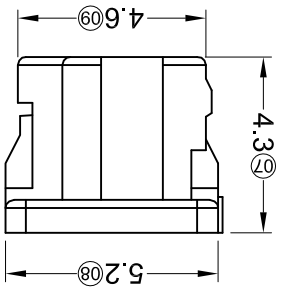
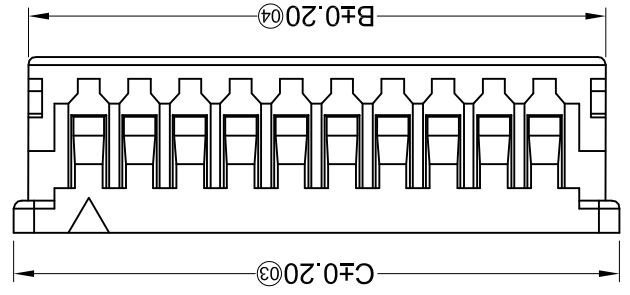
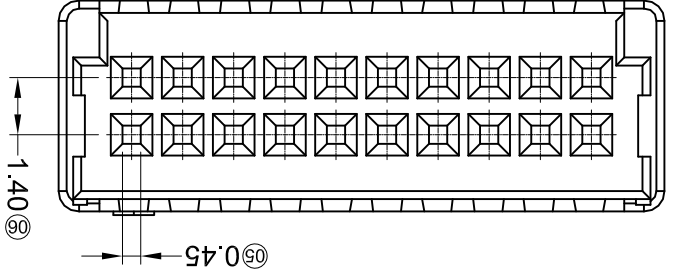
For and on behalf of  
**XKB INDUSTRIAL PRECISION CO., LIMITED**  
 香港星坤工業精密有限公司

REVISIONS  
 Authorized Signature(s)

MARK	DESCRIPTION	DATE	REVISED	APPROVED	UNSPECIFIED TOLERANCES
△ X					L > 63
△ X					16 < L ≤ 63
△ X					4 < L ≤ 16
△ X					L ≤ 4
					ANGULAR
					±5°

REVISION	SHEET	WEIGHT	DATE	DATE	DATE	DATE	DATE
A0	1/1	1.0g					

DSND	DWN	CHKD	APPD
DATE	DATE	DATE	DATE
SCALE: N/A	VIEW:	UNIT: mm	SIZE: A4
MODEL TYPE: X9821H-2*XX-N0	PART NO.:	DWG NO.:	

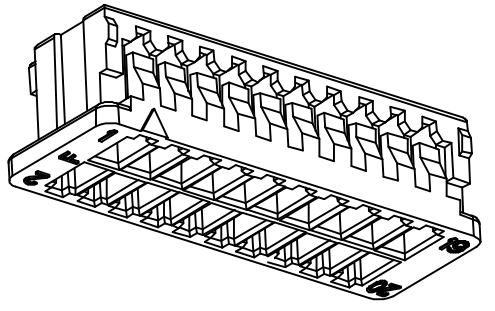


Poles	Dimensions(mm)		
	A	B	C
2*05	5.00	8.00	8.70
2*10	11.25	14.25	14.95
2*15	17.50	20.50	21.20
2*20	23.75	26.75	27.45

- ① Series No.
- ② Category: H-HSG
- ③ Welding Board Angle: Blank-ordinary
- ④ Row No.-Pin No.: 2\*XX-02P~16P
- ⑤ Plug the Pin & special No.:
- ⑥ Material: NO-PA66 94V-0;
- ⑦ Color: Blank-natural color

X9821 H X-2\*XX XX-N0 XX

- Voltage rating: 125V AC / DC
- Current rating: 1A AC / DC
- Withstanding voltage: 250V AC/minute
- Temperature range: -25°C~+85°C
- Insulation resistance: ≥100MΩ
- Contact resistance: ≤20mΩ
- After environmental testing: ≤40mΩ



## X-ON Electronics

Largest Supplier of Electrical and Electronic Components

*Click to view similar products for [Headers & Wire Housings](#) category:*

*Click to view products by [XKB](#) manufacturer:*

Other Similar products are found below :

[95000-104TRLF](#) [10135584-644402LF](#) [DF62W-EP2022PCA](#) [95000-106TRLF](#) [DF62W-2022SCA](#) [DF62W-EP2022PC](#) [2203348](#) [DF62W-2022SC](#) [1084018](#) [1029039](#) [1084017](#) [802-10-012-10-002000](#) [1112640](#) [1112639](#) [891-007-9SS-BST1T](#) [000-34000](#) [0008550134](#) [0009482033](#) [0009507031](#) [57102-F02-18ULF](#) [57102-S06-03LF](#) [57202-S52-04LF](#) [PCN6-15S-2.5E](#) [0039019024](#) [58102-G61-06LF](#) [582553-1](#) [0009485154](#) [0009508121](#) [0022285053](#) [0050291907](#) [018731A](#) [LY20-4P-DT1-P1E-BR](#) [02.125.8002.8](#) [60101931](#) [60598-1 \(Cut Strip\)](#) [M1625-3R/100](#) [61062-3](#) [61082-181009](#) [CSU011177004](#) [636-1427](#) [638009-1](#) [641938-9](#) [641991-4](#) [644168-1](#) [644827-2](#) [647662-1](#) [65039-019ELF](#) [65692-001LF](#) [65781-018](#) [65781-047](#)