

REVISION	SHEET	WEIGHT	1.0g	
A0	1/1			
DATE	DATE	DATE	DATE	DATE
CHKD	UNIT: mm	UNIT: mm	UNIT: mm	UNIT: mm
APPD	SIZE: A4	SIZE: A4	SIZE: A4	SIZE: A4

MARK	DESCRIPTION	DATE	REVISED	APPROVED	UNSPECIFIED TOLERANCES
△X		L > 63			±0.5
△X		16 > L ≤ 63			±0.4
△X		4 > L ≤ 16			±0.3
△X		L ≤ 4			±0.2
		ANGULAR			±5°

Revised (s)
 For and on behalf of
XKB INDUSTRIAL PRECISION CO., LIMITED
 香港星坤工業精密有限公司

MODEL TYPE: X8821WV-XXKS-N0SN
 SCALE: N/A
 PART NO.: X8821WV-XXKS-N0SN
 2.50 mm Crimp style Connector
 DWG NO.:

DNSD	DATE	SCALE: N/A	MODEL TYPE: X8821WV-XXKS-N0SN
DWN	DATE	VIEW: 	PART NO.: X8821WV-XXKS-N0SN
CHKD	DATE	UNIT: mm	2.50 mm Crimp style Connector DWG NO.:
APPD	DATE	SIZE: A4	MODEL TYPE: X8821WV-XXKS-N0SN

PART NO	Material	Material(Pin)	Finish(Pin)	Suitable XKB Terminal
X8821WV-XXKS-N0SN	Nylon 66 UL 94V-0	Brass	Tin-Plated	X8821H

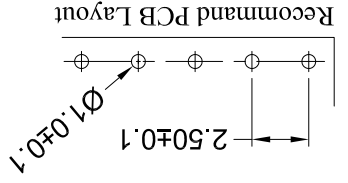
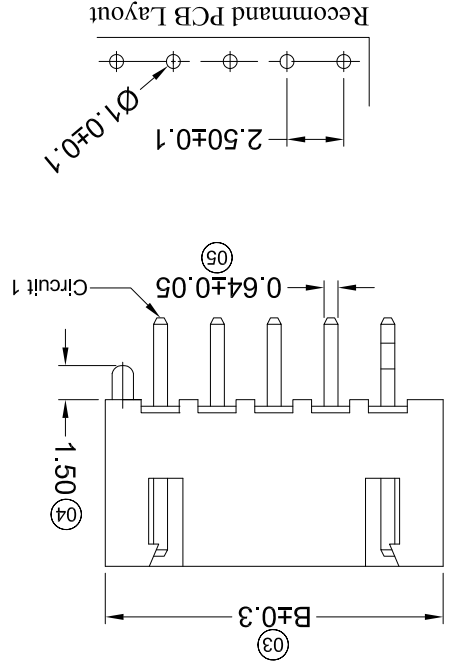
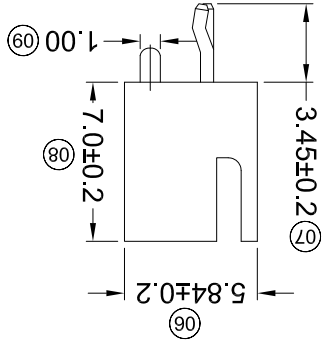
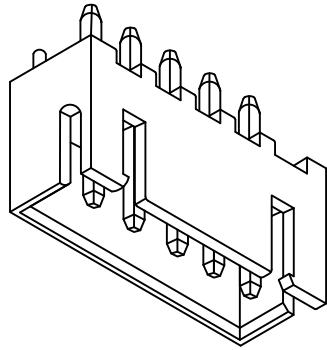
Dimensions (mm)	A	B
02	2.50	7.50
03	5.00	10.00
04	7.50	12.50
05	10.00	15.00
06	12.50	17.50
07	15.00	20.00
08	17.50	22.50
09	20.00	25.00
10	22.50	27.50
11	25.00	30.00
12	27.50	32.50
13	30.00	35.00
14	32.50	37.50
15	35.00	40.00
16	37.50	42.50
17	40.00	45.00
18	42.50	47.50
19	45.00	50.00
20	47.50	52.50

X8821 W V X-XX KS-N0 SN XX

① Series No.
 ② Category: W-WAFER
 ③ Welding Board Angle: V-180°; R-90°
 ④ Welding Way: Blank-DIP; S-SMT
 ⑤ Row No.-Pin No.: XX-Single Row; 2*XX-Double Row
 ⑥ Plug the Pin & Special No.: Blank-Without Kink; K-With Kink
 ⑦ Material: NO-PA66 94V-0
 S-With Post
 ⑧ Plating Category: G**-Gold Plated Contact
 V**-All Gold-Plated
 01-Gold Flash 02-2u" 03-3u"
 05-5u" 10-10u" 15-15u"
 SN-Bright Tin Plating (70u")
 SN1-Bright Tin Plating (120u" Min).
 0-No Plating Material
 SW- Fog Tin Plating
 HS-Hight temperature Tin
 ⑨ Color : Blank-Natural Color ;

Specifications :

- Voltage rating: 250V AC / DC
- Current rating: 3A AC / DC
- Withstanding voltage: 1000V AC/minute
- Temperature range: -25°C~+85°C
- Insulation resistance: ≥1000MΩ
- Contact resistance: ≤10mΩ
- After environmental testing: ≤20mΩ



Recommend PCB Layout

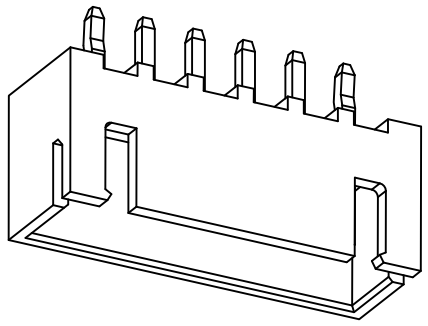
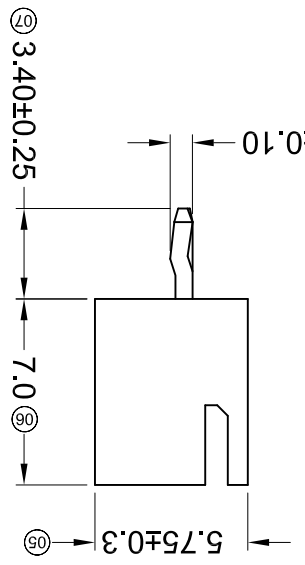
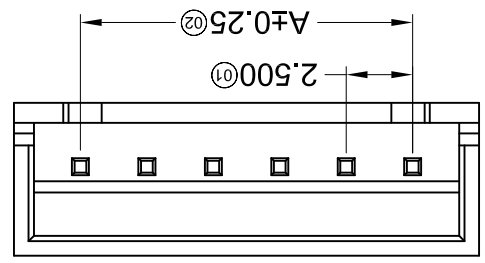
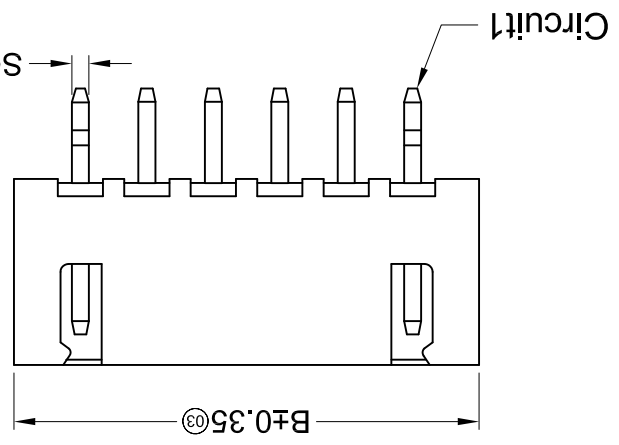
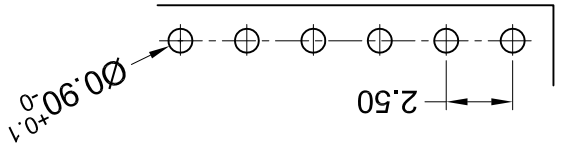
For and on behalf of
XKB INDUSTRIAL PRECISION CO., LIMITED
 香港星坤工業精密有限公司

REVISIONS
 Authorized Signature(s)

MARK	DESCRIPTION	DATE	REVISED	APPROVED	UNSPECIFIED TOLERANCES
△X					L > 63 ±0.5
△X					16 > L ≤ 63 ±0.4
△X					4 < L ≤ 16 ±0.3
					L ≤ 4 ±0.2
					ANGULAR ±5°

REVISION	SHEET	WEIGHT	XKB INDUSTRIAL PRECISION CO., LIMITED			
A0	1/1	1.0g	SIZE: A4	DATE	DATE	DATE
			UNIT: mm	DATE	DATE	DATE
			VIEW:	DATE	DATE	DATE
			SCALE: N/A	DATE	DATE	DATE
			MODEL TYPE: X8821WV-XXK-N0SN			
			PART NO.: 2.50mm Crimp Style Connector			
			DWG NO.:			

Recommended P.C.B Layout
 General Tolerance±0.05



PART NO	Material	Material(Pin)	Finish(Pin)	Suitable XKB Terminal
X8821WV-XXK-N0SN	Nylon 66 UL 94V-0	Brass	Tin-Plated	X8821H

Poles	Dimensions(mm)	
	A	B
02	2.50	7.50
03	5.00	10.00
04	7.50	12.50
05	10.00	15.00
06	12.50	17.50
07	15.00	20.00
08	17.50	22.50
09	20.00	25.00
10	22.50	27.50
11	25.00	30.00

- ① Series No.
 ② Category: W-WAFER
 ③ Welding Board Angle: V-Stringht 180°
 ④ Welding Way: Blank-DIP;
 ⑤ Row No.-Pin No.: XX-Single Row;
 ⑥ Plug the Pin & Special No.: K-KINK
 ⑦ Material: NO -PA66 94V-0
 ⑧ Plating Category: SN-Bright Tin Plating
 ⑨ Color: Blank-Natural Color
- ① ② ③ ④ ⑤ ⑥ ⑦ ⑧ ⑨
- X8821 W V X-XX K-N0 SN XX
- Specifications :
- Voltage rating: 250V AC / DC
 - Current rating: 3A AC / DC
 - Withstanding voltage: 1000V AC/minute
 - Temperature range: -25°C~+85°C
 - Insulation resistance: ≥1000MΩ
 - Contact resistance: ≤10mΩ
 - After environmental testing: ≤20mΩ

For and on behalf of
XKB INDUSTRIAL PRECISION CO., LIMITED
 香港星坤工業精密有限公司

REVISIONS
 (Unauthorized Signatures)

MARK	DESCRIPTION	DATE	REVISED	APPROVED	UNSPECIFIED TOLERANCES
△X					L > 63 ±0.5
△X					16 > L ≤ 63 ±0.4
△X					4 < L ≤ 16 ±0.3
					L ≤ 4 ±0.2
					ANGULAR ±5°

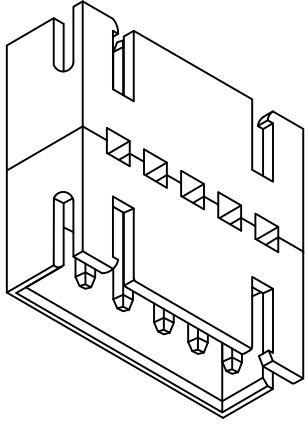
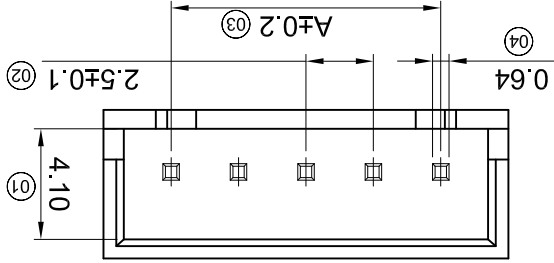
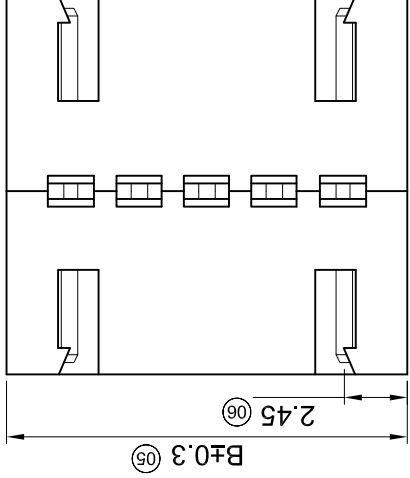
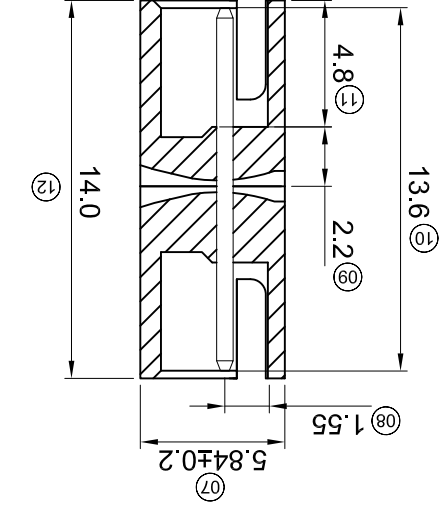
REVISION	SHEET	WEIGHT	XKB INDUSTRIAL PRECISION CO., LIMITED			
A0	1/1	1.0g				

DATE	SCALE: N/A	MODEL TYPE:	DWNSD	DATE	VIEW:	PART NO.:	DWNO	DATE	CHKDD	DATE	APPD	DATE	SIZE: A4
		X8821WV-XXH2-N0SN			2.50 mm Crimp style Connector								

PART NO	Material	Material(Pin)	Finish(Pin)	Suitable XKB Terminal
X8821WV-XXH2-N0SN	Nylon 66 UL 94V-0	Brass	Tin-Plated	X8821H

Dimensions (mm)	A	B
02	2.50	7.50
03	5.00	10.00
04	7.50	12.50
05	10.00	15.00
06	12.50	17.50
07	15.00	20.00
08	17.50	22.50
09	20.00	25.00
10	22.50	27.50
11	25.00	30.00
12	27.50	32.50
13	30.00	35.00
14	32.50	37.50
15	35.00	40.00
16	37.50	42.50
17	40.00	45.00
18	42.50	47.50
19	45.00	50.00
20	47.50	52.50

- ① Series No. X8821 W V X-XX H2 -N0 XX XX
 ② Category: W-WAFER
 ③ Welding Board Angle: V-180° ; R-90°
 ④ Welding Way: Blank-DIP ; S-SMT
 ⑤ Row No.-Pin No.: XX-Single Row ; 2*XX-Double Row
 ⑥ Plug the Pin & Special No.: H2-Double-Faced Wafer
 ⑦ Material: N0 -PA66 94V-0
 ⑧ Plating Category: G**-Gold Plated Contact
 V**- All Gold-Plated
 01-Gold Flash 02-2u" 03-3u"
 05-5u" 10-10u" 15-15u"
 SN-Bright Tin Plating (70u")
 SN1-Bright Tin Plating (120u" Min).
 0-No Plating Material
 SW-Fog Tin Plating
 HS-Hight temperature Tin
 ⑨ Color : Blank-Natural Color ;



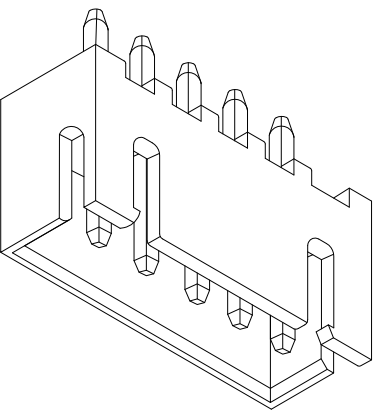
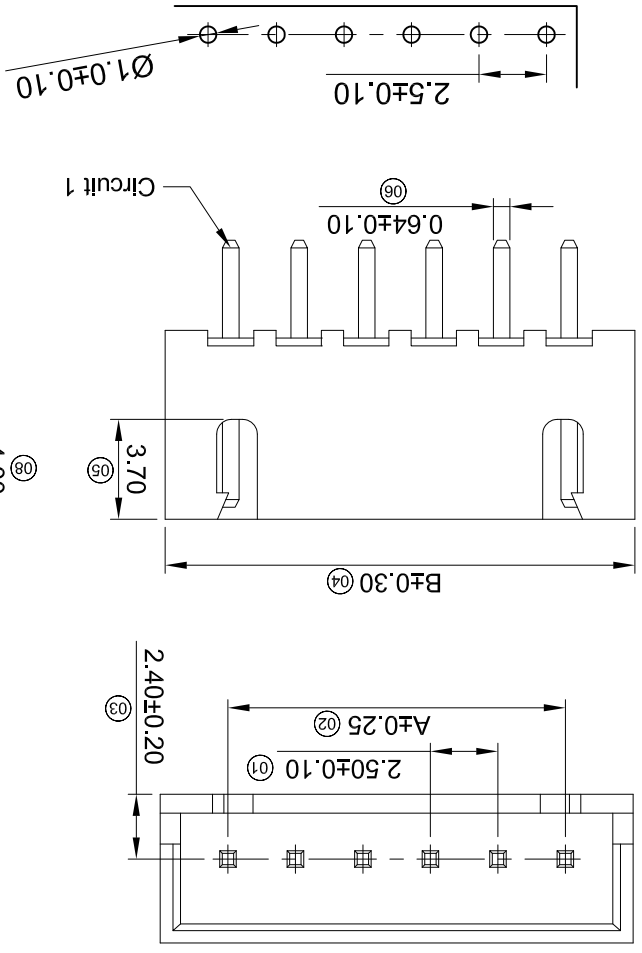
- Specifications :
- Voltage rating: 250V AC / DC
 - Current rating: 3A AC / DC
 - Withstanding voltage: 1000V AC/minute
 - Temperature range: -25°C~+85°C
 - Insulation resistance: ≥1000MΩ
 - Contact resistance: ≤10mΩ
 - After environmental testing: ≤20mΩ

For and on behalf of
XKB INDUSTRIAL PRECISION CO., LIMITED
 香港星坤工業精密有限公司
 REVISIONS SIGNATURE(S)

MARK	DESCRIPTION	DATE	REVISED	APPROVED	UNSPECIFIED TOLERANCES
△X					L > 63 ±0.5
△X					16 < L ≤ 63 ±0.4
△X					4 < L ≤ 16 ±0.3
					L ≤ 4 ±0.2
					ANGULAR ±5°

REVISION	SHEET	WEIGHT	XKB INDUSTRIAL PRECISION CO., LIMITED			
A0	1/1	1.0g	DATE	DATE	DATE	DATE
			SCALE: N/A	VIEW:	PART NO.: X8821WV-XX-N0XX	DWG NO.: 2.50 mm Crimp style Connector
			MODEL TYPE: X8821WV-XX-N0XX	UNIT: mm	SIZE: A4	

Recommend PCB Layout



- ① Series No.**
 X8821 W V X-XX X-N0 XX XX
- ② Category:** W-WAFER
- ③ Welding Board Angle:** V-180° ; R-90°
- ④ Welding Way:** Blank-DIP ; S-SMT
- ⑤ Row No.-Pin No.:** XX-Single Row ; 2*XX-Double Row
- ⑥ Plug the Pin & Special No.:**
- ⑦ Material:** N0-PA66 94V-0
- ⑧ Plating Category:** G**-Gold Plated Contact
 V**- All Gold-Plated
 01-Gold flash 02-2u" 03-3u"
 05-5u" 10-10u" 15-15u"
 SN-Bright Tin Plating (70u")
 SN-1-Bright Tin Plating (120u" Min).
 0-No Plating Material
 SW-Fog Tin Plating
 HS-Hight temperature Tin
- ⑨ Color:** Blank-Natural Color ;

Dimensions (mm)	A	B
02	2.50	7.50
03	5.00	10.00
04	7.50	12.50
05	10.00	15.00
06	12.50	17.50
07	15.00	20.00
08	17.50	22.50
09	20.00	25.00
10	22.50	27.50
11	25.00	30.00
12	27.50	32.50
13	30.00	35.00
14	32.50	37.50
15	35.00	40.00
16	37.50	42.50
17	40.00	45.00
18	42.50	47.50
19	45.00	50.00
20	47.50	52.50

- Specifications :**
- Voltage rating: 250V AC / DC
 - Current rating: 3A AC / DC
 - Withstanding voltage: 1000V AC/minute
 - Temperature range: -25°C~+85°C
 - Insulation resistance: ≥1000MΩ
 - Contact resistance: ≤10mΩ
 - After environmental testing: ≤20mΩ

REVISIONS		APPROVED		REVISED		DATE		DESCRIPTION		MARK	
△	X										
△	X										
△	X										

For and on behalf of
XKB INDUSTRIAL PRECISION CO., LIMITED
 香港星坤工業精密有限公司

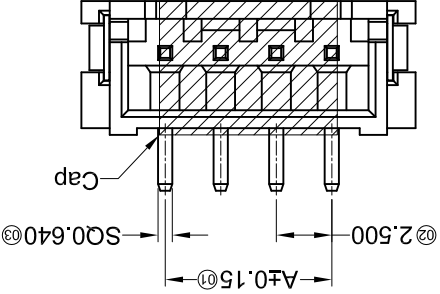
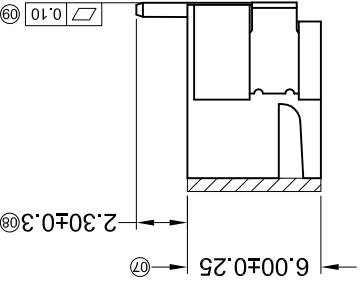
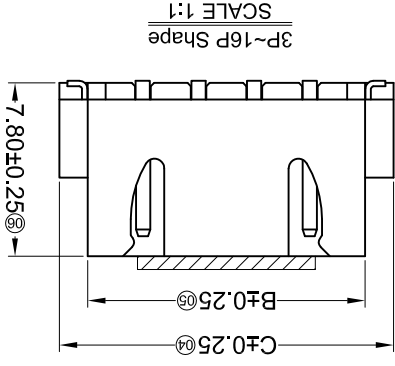
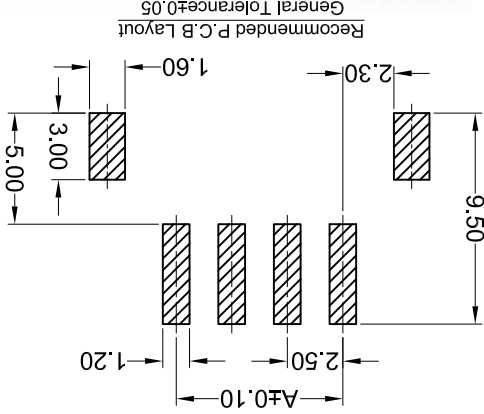
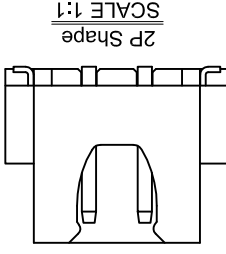
Authorized Signature(s)

UNSPECIFIED TOLERANCES	±0.5	
L > 63	±0.4	
16 < L ≤ 63	±0.3	
4 < L ≤ 16	±0.2	
L ≤ 4	±0.2	
ANGULAR	±5°	

DATE		DATE		DATE		DATE	
DWNS		DWNS		DWNS		DWNS	
CHKD		CHKD		CHKD		CHKD	
APPD		APPD		APPD		APPD	
SIZE: A4		SIZE: A4		SIZE: A4		SIZE: A4	
UNIT: mm		UNIT: mm		UNIT: mm		UNIT: mm	
VIEW:		VIEW:		VIEW:		VIEW:	
PART NO.:		PART NO.:		PART NO.:		PART NO.:	
2.50mm Crimp Style Connectors		2.50mm Crimp Style Connectors		2.50mm Crimp Style Connectors		2.50mm Crimp Style Connectors	
DWG NO.:		DWG NO.:		DWG NO.:		DWG NO.:	
WEIGHT	1.0g	WEIGHT	1.0g	WEIGHT	1.0g	WEIGHT	1.0g
SHEET	1/1	SHEET	1/1	SHEET	1/1	SHEET	1/1
REVISION		REVISION		REVISION		REVISION	
A0		A0		A0		A0	

PART NO	PA9T UL 94V-0	Material	Brass	Finish(Pin)	Tin-plated	Material(Solder Tabs)	Phosphore Bronze	Finish(Solder Tabs)	Tin-plated	Material(Solder Tabs)	Suitable XKB Terminal
X8821WVS-XX-9TSN											x8821H

Poles	Dimensions(mm)			Poles	Dimensions(mm)		
	A	B	C		A	B	C
02	2.50	7.45	10.00	10	22.50	27.45	30.00
03	5.00	9.95	12.50	11	25.00	29.95	32.50
04	7.50	12.45	15.00	12	27.50	32.45	35.00
05	10.00	14.95	17.50	13	30.00	34.95	37.50
06	12.50	17.45	20.00	14	32.50	37.45	40.00
07	15.00	19.95	22.50	15	35.00	39.95	42.50
08	17.50	22.45	25.00	16	37.50	42.45	45.00
09	20.00	24.95	27.50				



- ① Series No.
 ② Category: W-WAFER
 ③ Welding Board Angle: V-180°
 ④ Welding Way: S-SMT
 ⑤ Row No.-Pin No.: XX-Single Row
 ⑥ Plug the Pin & Special No.:
 ⑦ Material: 9T -PA9T 94V-0
 ⑧ Plating Category: SN-Bright Tin Plating
 ⑨ Color: Blank-Natural Color

X8821 W V S-XX X-9T SN XX
 ① ② ③ ④ ⑤ ⑥ ⑦ ⑧ ⑨

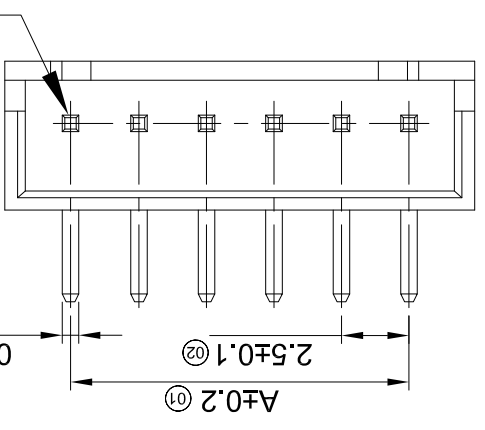
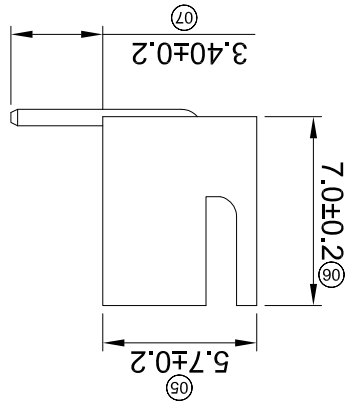
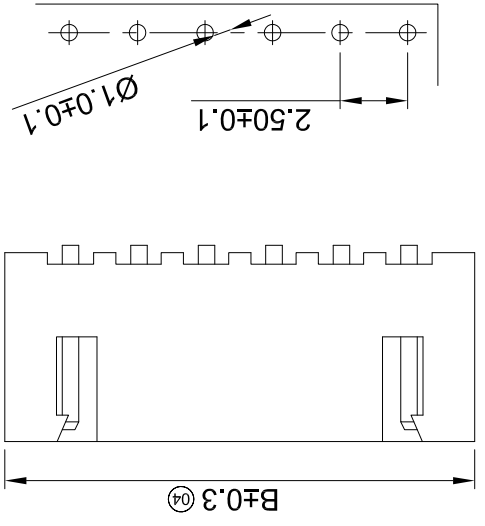
- Specifications :
- Voltage rating: 250V AC / DC
 - Current rating: 3A AC / DC
 - Withstanding voltage: 1000V AC/minute
 - Temperature range: -25°C~+85°C
 - Insulation resistance: ≥1000MΩ
 - Contact resistance: ≤10mΩ
 - After environmental testing: ≤20mΩ

For and on behalf of
KXB INDUSTRIAL PRECISION CO., LIMITED
 香港星坤工業精密有限公司

MARK	DESCRIPTION	DATE	REVISED	APPROVED	UNSPECIFIED TOLERANCES	
					L > 63	± 0.5
△ X					16 < L ≤ 63	± 0.4
△ X					4 < L ≤ 16	± 0.3
△ X					L ≤ 4	± 0.2
					ANGULAR	± 5°

REVISION	SHEET	WEIGHT	KXB INDUSTRIAL PRECISION CO., LIMITED			
			DATE	DATE	DATE	DATE
A0	1/1	1.0g	SIZE: A4			
			UNIT: mm			
			VIEW:			
			PART NO.: X8821WR-XXS-N0SN			
			MODEL TYPE: X8821WR-XXS-N0SN			

Recommend PCB Layout



PART NO	Material	Material(Pin)	Finish(Pin)	Suitable XKB Terminal
X8821WR-XXS-N0SN	Nylon 66 UL 94V-0	Brass	Tin-Plated	X8821H

Dimensions (mm)	A	B
02	2.50	7.50
03	5.00	10.00
04	7.50	12.50
05	10.00	15.00
06	12.50	17.50
07	15.00	20.00
08	17.50	22.50
09	20.00	25.00
10	22.50	27.50
11	25.00	30.00
12	27.50	32.50
13	30.00	35.00
14	32.50	37.50
15	35.00	40.00
16	37.50	42.50
17	40.00	45.00
18	42.50	47.50
19	45.00	50.00
20	47.50	52.50

- X8821 W R X-XX S-N0 SN XX**
- ① Series No.
 - ② Category: W-WAFER
 - ③ Welding Board Angle: V-180°; R-90°
 - ④ Welding Way: Blank-DIP; S-SMT
 - ⑤ Row No.-Pin No.: XX-Single Row; 2*XX-Double Row
 - ⑥ Plug the Pin & Special No.: S-No Positioning
 - ⑦ Material: N0 -PA66 94V-0 N2-PA66 94V-2
 - ⑧ Plating Category: G*-Gold Plated Contact
 - ⑨ V*- All Gold-Plated
 - ⑩ 01-1u" 02-2u" 03-3u"
 - ⑪ 05-5u" 10-10u" 15-15u"
 - ⑫ SN-Bright Tin Plating (70u")
 - ⑬ SN1-Bright Tin Plating (120u" Min).
 - ⑭ 0-No Plating Material
 - ⑮ SW-Fog Tin Plating
 - ⑯ HS-Hight temperature Tin
 - ⑰ Color: Blank-Natural Color

- Specifications:**
- Voltage rating: 250V AC / DC
 - Current rating: 3A AC / DC
 - Withstanding voltage: 1000V AC/minute
 - Temperature range: -25°C~+85°C
 - Insulation resistance: ≥1000MΩ
 - Contact resistance: ≤10mΩ
 - After environmental testing: ≤20mΩ

For and on behalf of
KXB INDUSTRIAL PRECISION CO., LIMITED
 香港星坤工業精密有限公司
 Revisions (Authorized Signatures)

MARK	DESCRIPTION	DATE	REVISED	APPROVED	UNSPECIFIED TOLERANCES
△ X					L > 63
△ X					16 < L ≤ 63
△ X					4 < L ≤ 16
					L ≤ 4
					ANGULAR ± 5°

REVISION	SHEET	WEIGHT	SCALE: N/A	DATE	DNSD
A0	1/1	1.0g			

SIZE: A4	DATE	APPD

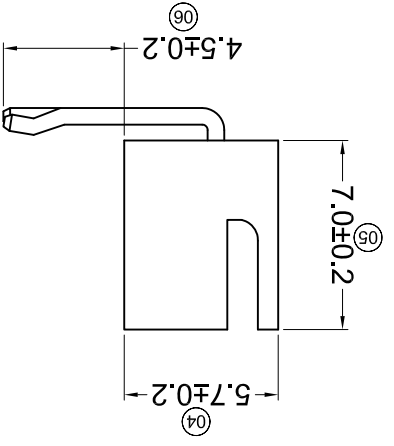
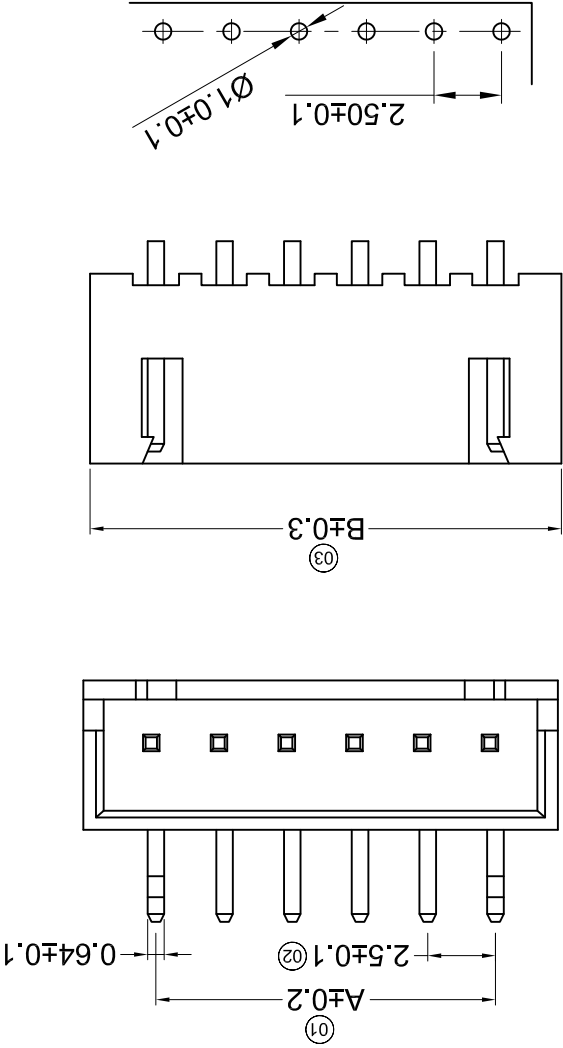
UNIT: mm	DATE	CHKD

VIEW:	DATE	DWN

PART NO.:	DATE	DATE
X8821WR-XXKS-N0SN		

MODEL TYPE:	SCALE: N/A	DATE
X8821WR-XXKS-N0SN		

Recommend PCB Layout



PART NO	Material	Material(Pin)	Finish(Pin)	Suitable XKB Terminal
X8821WR-XXKS-N0SN	Nylon 66 UL 94V-0	Brass	Tin-Plated	X8821H

Dimensions (mm)	A	B
02	2.50	7.50
03	5.00	10.00
04	7.50	12.50
05	10.00	15.00
06	12.50	17.50
07	15.00	20.00
08	17.50	22.50
09	20.00	25.00
10	22.50	27.50
11	25.00	30.00
12	27.50	32.50
13	30.00	35.00
14	32.50	37.50
15	35.00	40.00
16	37.50	42.50
17	40.00	45.00
18	42.50	47.50
19	45.00	50.00
20	47.50	52.50

- ① Series No.**
 X8821 W R X-XX KS -N0 SN XX
- ② Category:** W-WAFER
- ③ Welding Board Angle:** V-180° ; R-90°
- ④ Welding Way:** Blank-DIP ; S-SMT
- ⑤ Row No.-Pin No.:** XX-Single Row ; 2*XX-Double Row
- ⑥ Plug the Pin & Special No.:** KS-With kink and No Positioning
- ⑦ Material:** N0 -PA66 94V-0 N2-PA66 94V-2
- ⑧ Plating Category:** G*-Gold Plated Contact
 V*- All Gold-Plated
 01-Gold Flash 02-2u" 03-3u"
 05-5u" 10-10u" 15-15u"
 SN-Bright Tin Plating (70u")
 SN1-Bright Tin Plating (120u" Min.)
 0-No Plating Material
 SW-Fog Tin Plating
 HS-Hight temperature Tin
- ⑨ Color:** Blank-Natural Color ;

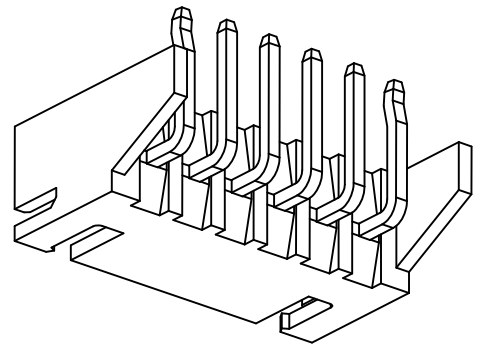
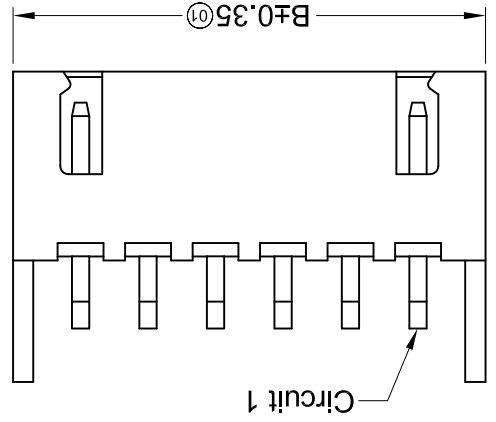
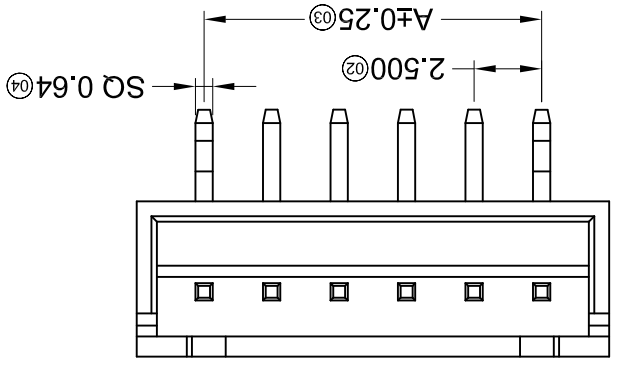
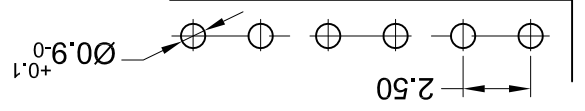
- Specifications :**
- Voltage rating: 250V AC / DC
 - Current rating: 3A AC / DC
 - Withstanding voltage: 1000V AC/minute
 - Temperature range: -25°C~+85°C
 - Insulation resistance: ≥1000MΩ
 - Contact resistance: ≤10mΩ
 - After environmental testing: ≤20mΩ

REVISIONS		UNSPECIFIED TOLERANCES		APPROVED		REVISED		DATE		DESCRIPTION		MARK	
△X	△X	△X	△X	△X	△X	△X	△X	△X	△X	△X	△X	△X	△X
REVISIONS		UNSPECIFIED TOLERANCES		APPROVED		REVISED		DATE		DESCRIPTION		MARK	
△X	△X	△X	△X	△X	△X	△X	△X	△X	△X	△X	△X	△X	△X

For and on behalf of
XKB INDUSTRIAL PRECISION CO., LIMITED
 香港星坤工業精密有限公司

MODEL TYPE: X8821WR-XXK-N0SN	SCALE: N/A	DATE	DNSD
PART NO.: X8821WR-XXK-N2SN	Material Nylon 66 UL 94V2	DATE	DWN
Material Brass	Material(Pin) Tin-Plated	DATE	CHKD
Material Nylon 66 UL 94V-0	Material(Pin) Tin-Plated	DATE	APPD

Recommended P.C.B Layout
 General Tolerance±0.05



Poles	Dimensions(mm)	
	A	B
02	2.50	7.50
03	5.00	10.00
04	7.50	12.50
05	10.00	15.00
06	12.50	17.50
07	15.00	20.00
08	17.50	22.50
09	20.00	25.00
10	22.50	27.50
11	25.00	30.00

- ① Series No.
- ② Category: W-WAFER
- ③ Welding Board Angle: R-Right Angle 90°
- ④ Welding Way: Blank-DIP
- ⑤ Row No.-Pin No.: XX-Single Row
- ⑥ Plug the Pin & Special No.: K-KINK
- ⑦ Material: N0-PA66 94V-0 N2-PA66 94V-2
- ⑧ Plating Category: SN-Bright Tin Plating
- ⑨ Color: Blank-Natural Color

X8821 W R X-XX K-N0 SN XX

- Specifications :
- Voltage rating: 250V AC / DC
 - Current rating: 3A AC / DC
 - Withstanding voltage: 1000V AC/minute
 - Temperature range: -25°C~+85°C
 - Insulation resistance: ≥1000MΩ
 - Contact resistance: ≤10mΩ
 - After environmental testing: ≤20mΩ

香港星坤工業精密有限公司
KXB INDUSTRIAL PRECISION CO., LIMITED
For and on behalf of

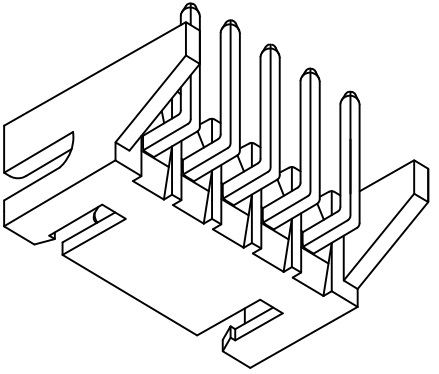
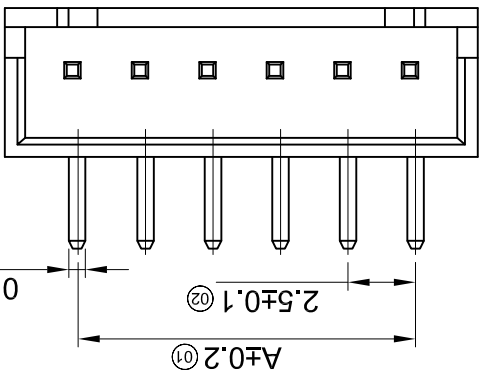
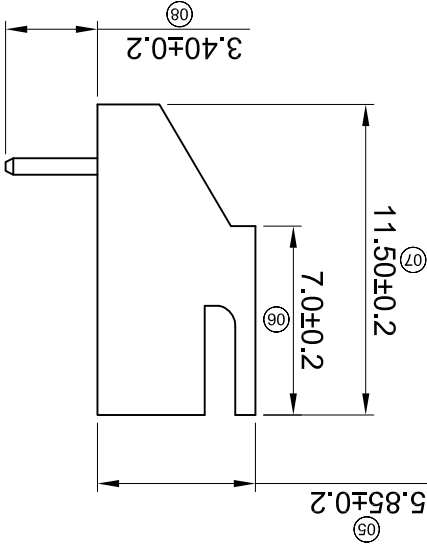
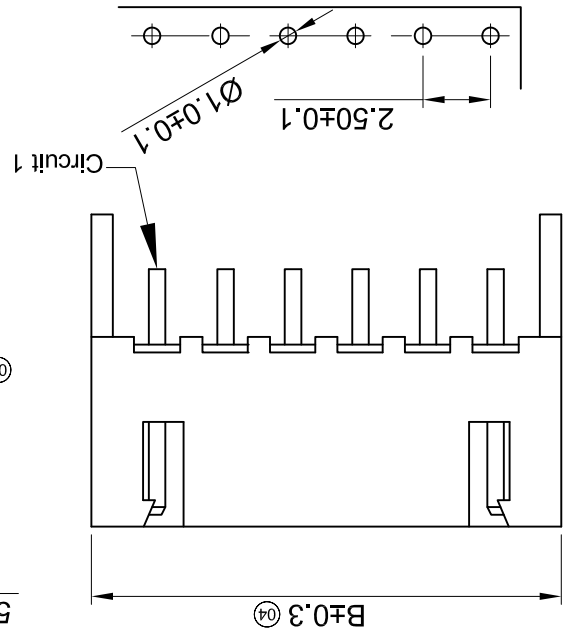
Authorized Signatures(s)

MARK	DESCRIPTION	DATE	REVISED	APPROVED	UNSPECIFIED TOLERANCES
△X					L > 63
△X					16 < L ≤ 63
△X					4 < L ≤ 16
					L ≤ 4
					ANGULAR ±5°

REVISION	SHEET	WEIGHT	KXB INDUSTRIAL PRECISION CO., LIMITED			
A0	1/1	1.0g	DATE	DATE	DATE	DATE
			SIZE: A4	UNIT: mm	PART NO.:	DWG NO.:
			VIEW:	SCALE: N/A	MODEL TYPE: X8821WR-XX-N0SN	2.50 mm Crimp style Connector

PART NO	Material	Material(Pin)	Finish(Pin)	Suitable XKB Terminal
X8821WR-XX-N0SN	Nylon 66 UL 94V-0	Brass	Tin-Plated	X8821H
X8821WR-XX-K-N2SN	Nylon 66 UL 94V2	Brass	Tin-Plated	X8821H

Recommend PCB Layout



- ① Series No.**
X8821 W R X-XX X -N0 SN XX
- ② Category:** W-WAFER
- ③ Welding Board Angle:** V-180° ; R-90°
- ④ Welding Way:** Blank-DIP ; S-SMT
- ⑤ Row No.-Pin No.:** XX-Single Row ; 2*XX-Double Row
- ⑥ Plug the Pin & Special No.:**
- ⑦ Material:** N0 -PA66 94V-0 N2-PA66 94V-2
- ⑧ Plating Category:** G**-Gold Plated Contact
V**- All Gold-Plated
01-Gold Flash 02-2u" 03-3u"
05-5u" 10-10u" 15-15u"
SN-Bright Tin Plating (70-120u")
SN-1 Bright Tin Plating (120u" Min).
0-No Plating Material
SW-Fog Tin Plating
HS-Hight temperature Tin
- ⑨ Color:** Blank-Natural Color ;


Dimensions (mm)	A	B
02	2.50	7.50
03	5.00	10.00
04	7.50	12.50
05	10.00	15.00
06	12.50	17.50
07	15.00	20.00
08	17.50	22.50
09	20.00	25.00
10	22.50	27.50
11	25.00	30.00
12	27.50	32.50
13	30.00	35.00
14	32.50	37.50
15	35.00	40.00
16	37.50	42.50
17	40.00	45.00
18	42.50	47.50
19	45.00	50.00
20	47.50	52.50

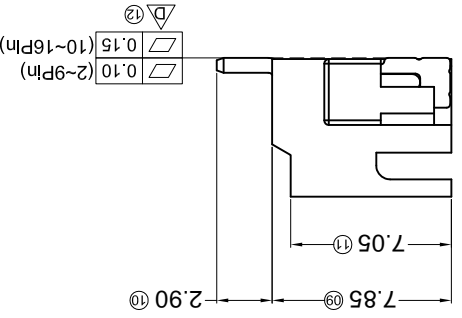
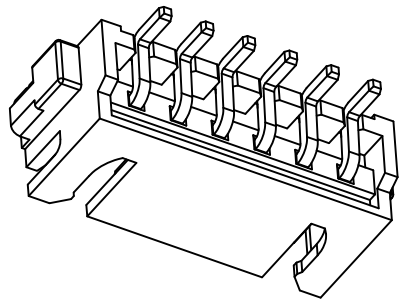
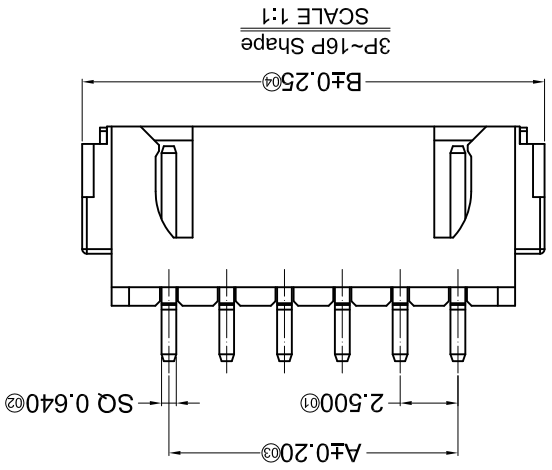
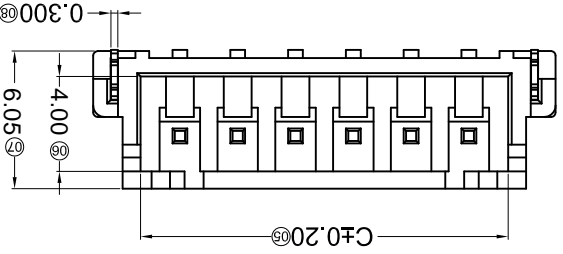
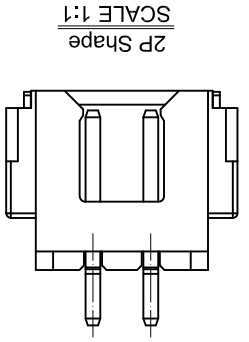
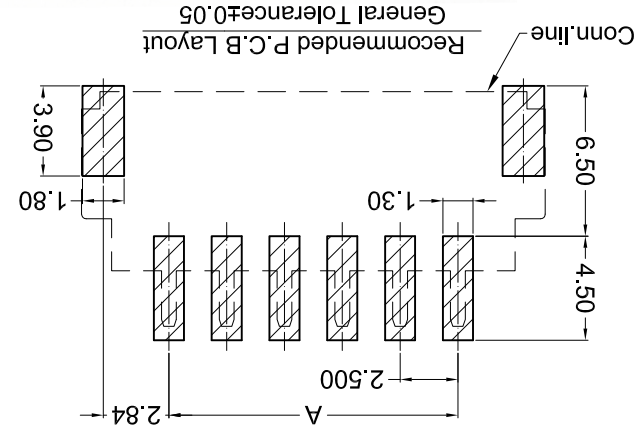
- Specifications :**
- Voltage rating: 250V AC / DC
 - Current rating: 3A AC / DC
 - Withstanding voltage: 1000V AC/minute
 - Temperature range: -25°C~+85°C
 - Insulation resistance: ≥1000MΩ
 - Contact resistance: ≤10mΩ
 - After environmental testing: ≤20mΩ

For and on behalf of
XKB INDUSTRIAL PRECISION CO., LIMITED
 香港星坤工業精密有限公司

Unauthorized Signature(s)

MARK	DESCRIPTION	DATE	REVISED	APPROVED	UNSPECIFIED TOLERANCES
△X					L > 63 ± 0.5
△X					16 < L ≤ 63 ± 0.4
△X					4 < L ≤ 16 ± 0.3
					L ≤ 4 ± 0.2
					ANGULAR ± 5°

REVISION	SHEET	WEIGHT	1.0g	XKB INDUSTRIAL PRECISION CO., LIMITED			
A0	1/1						
				SIZE: A4	DATE	DATE	DATE
				UNIT: mm	DATE	DATE	DATE
				VIEW: 	DATE	DATE	DATE
				SCALE: N/A	DATE	DATE	DATE
				MODEL TYPE: X8821WRS-XX-9TXXX			
				PART NO.: 2.50mm Crimp Style Connector			
				DWG NO.:			



PART NO	Material	Solder(Pin And Solder Tabs)	Finish(Pin)	Finish(Solder Tabs)	Suitable XKB Terminal
X8821WRS-XX-9T1V01	PA 9T UL 94V-0	Brass	Tin-Plated	Tin-Plated	
X8821WRS-XX-9T1V01			Gold Flash	Tin-Plated	X8821H

Poles	Dimensions (mm)		
	A	B	C
02	2.50	10.00	5.90
03	5.00	12.50	8.40
04	7.50	15.00	10.90
05	10.00	17.50	13.40
06	12.50	20.00	15.90
07	15.00	22.50	18.40
08	17.50	25.00	20.90
09	20.00	27.50	23.40

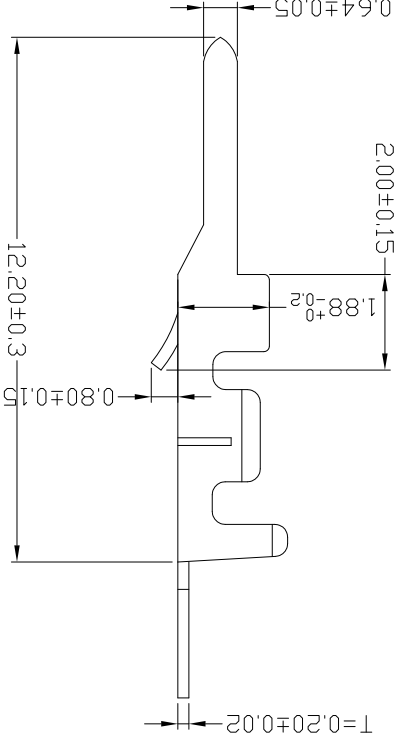
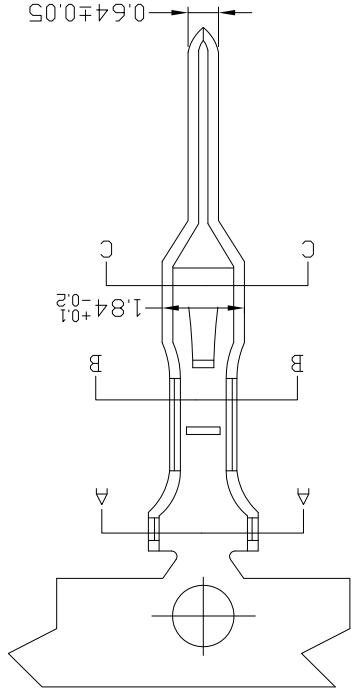
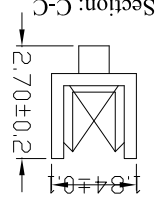
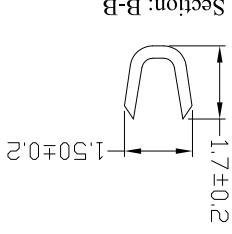
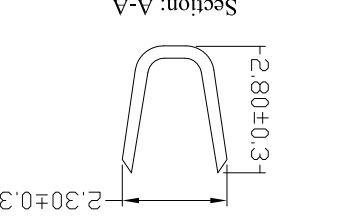
- ① Series No. X8821 W R S-XX X-9T XX XX
 ② Category: W-WAFER
 ③ Welding Board Angle: R-Right Angle 90°
 ④ Welding Way: S-SMT
 ⑤ Row No.-Pin No.: XX-02P~16P
 ⑥ Plug the Pin & Special No.: V01-All Gold Flash
 ⑦ Material: 9T -PA9T UL 94V-0
 ⑧ Plating Category: SN-Bright Tin Plating
 ⑨ Color : Blank-Natural Color

- Specifications :
- Voltage rating: 250V AC / DC
 - Current rating: 3A AC / DC
 - Withstanding voltage: 1000V AC/minute
 - Temperature range: -25°C~+85°C
 - Insulation resistance: ≥1000MΩ
 - Contact resistance: ≤10mΩ
 - After environmental testing: ≤20mΩ

REVISIONS		DATE	REVISED	APPROVED	UNSPECIFIED TOLERANCES
MARK	DESCRIPTION				
△X					L > 63 ±0.5
△X					16 < L ≤ 63 ±0.4
△X					4 < L ≤ 16 ±0.3
△X					L ≤ 4 ±0.2
					ANGULAR ±5°

For and on behalf of
XKB INDUSTRIAL PRECISION CO., LIMITED
 香港星坤工業精密有限公司

PART NO	Material	Wire Range	Insulation O.D.	Finish	Suitable XKB Terminal
X8821TM-PSN	Phosphor Bronze	AWG#22-26	1.90mm(Max)	Stamping Before Plating:30-50u" Ni;70-120u"Sn	X8821HF



X8821 T M-P SN X-X

① 系列

② 类别:

T-端子

③ 外观形态:

M-公端

④ 材质:

P-磷铜

⑤ 电镀类别: G**-镀金 V**-镀全金

*01-Gold Flash *02-2U" *03-3U" *05-5U"
 *10-10U" *15-15U" *30-30U" *50-50U"

SN-镀亮锡(70-120U") SN1-镀亮锡(120U"Min.)

0-素材 SW-镀雾锡

⑥ 电镀方式:

空码-先冲后镀 B-先镀后冲

⑦ 型号/MARK及特殊码

- Specifications(规格):
- Voltage rating(额定电压): 250V AC / DC
 - Current rating(额定电流): 3A AC / DC
 - Withstanding voltage(耐压值): 1000V AC/minute
 - Temperature range(工作温度): -25°C~+85°C
 - Insulation resistance(绝缘电阻): ≥1000MΩ
 - Contact resistance(接触电阻): ≤10mΩ
 - After environmental testing(环境测试后): ≤20mΩ

MODEL TYPE:	SCALE: N/A	DATE:	DATE:	DATE:	DATE:	DATE:	DATE:	DATE:	DATE:
X8821TM-PSN									
PART NO.:	VIEW:	DATE:	DATE:	DATE:	DATE:	DATE:	DATE:	DATE:	DATE:
2.50 mm Crimp Style connectors	UNIT: mm	DATE:	DATE:	DATE:	DATE:	DATE:	DATE:	DATE:	DATE:
DWG NO.:	SIZE: A4	DATE:	DATE:	DATE:	DATE:	DATE:	DATE:	DATE:	DATE:
REVISION	SHEET	WEIGHT	XKB INDUSTRIAL PRECISION CO., LIMITED						
A0	1/1	1.0g							

For and on behalf of
KXB INDUSTRIAL PRECISION CO., LIMITED
 香港星坤工業精密有限公司

Revisions
 Authorized Signature(s)

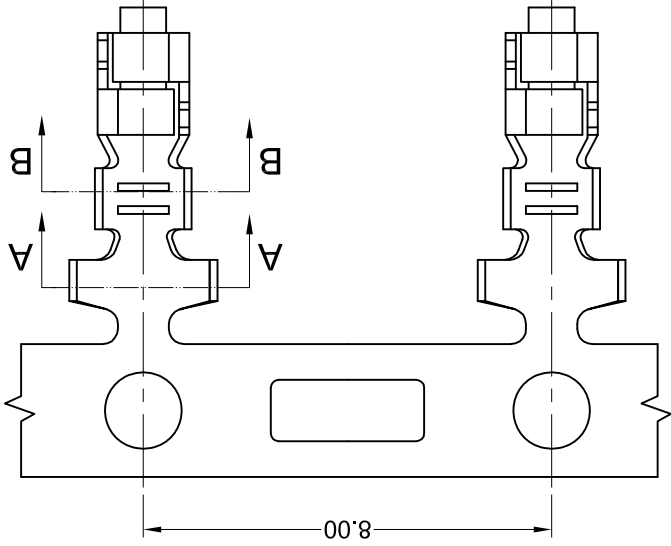
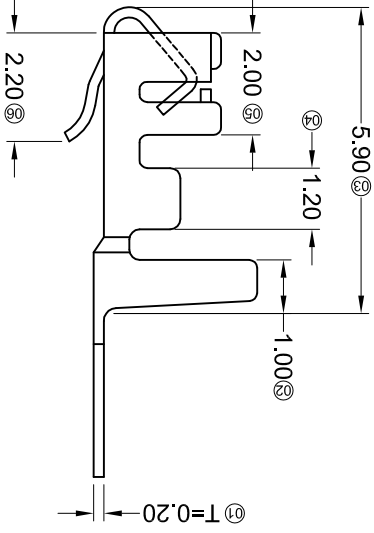
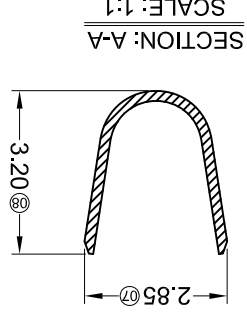
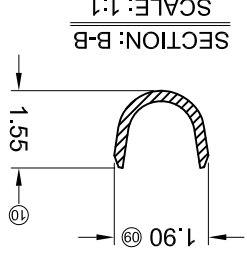
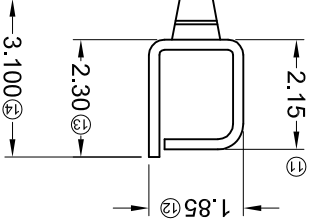
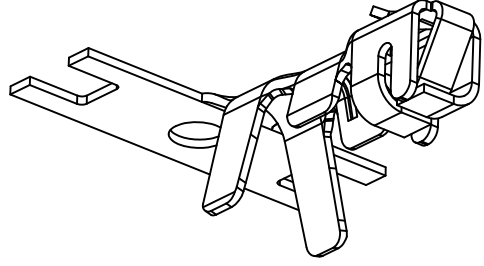
MARK	DESCRIPTION	DATE	REVISED	APPROVED	UNSPECIFIED TOLERANCES
△X					L > 63 ± 0.5
△X					16 < L ≤ 63 ± 0.4
△X					4 < L ≤ 16 ± 0.3
					L ≤ 4 ± 0.2
					ANGULAR ± 5°

REVISION	SHEET	WEIGHT	DATE	DATE	DATE	DATE	DATE
A0	1/1	1.0g					

KXB INDUSTRIAL PRECISION CO., LIMITED

DSND	DWN	CHKD	APPD
DATE	DATE	DATE	DATE
SCALE: N/A	VIEW:	UNIT: mm	SIZE: A4
MODEL TYPE: X8821T-BSNB	PART NO.:	DWG NO.:	

PART NO	Material	Wire Range	Insulation O.D.	Finish
X8821T-BSN	Brass	AWG#22-26	1.90mm(Max)	Stamping Before Plating:30u" Ni:70u"Sn
X8821T-BSNB				Stamping Before Plating:10u" Ni:40u"Sn
X8821T-PSNB	Phosphor Bronze			Stamping Before Plating:30u" Ni:70u"Sn
X8821T-PSN				Stamping Before Plating:10u" Ni:40u"Sn
X8821T-BSNB	Brass			Stamping Before Plating:10u" Ni:40u"Sn
X8821T-BSN				Stamping Before Plating:30u" Ni:70u"Sn



- Specifications :**
 • Voltage rating: 250V AC / DC
 • Current rating: 3A AC / DC
 • Withstanding voltage: 1000V AC/minute
 • Temperature range: -25°C~+85°C
 • Insulation resistance: ≥1000MΩ
 • Contact resistance: ≤10mΩ
 • After environmental testing: ≤20mΩ
- X8821 T X-B SN X - X**
 ① Series Number
 ② Category: T-terminal
 ③ Shape: Blank-ordinary
 ④ Material: B-Brass P-Phosphor bronze
 ⑤ Plating style: SN-Bright tin plating
 ⑥ Plating method: Blank-stamping before plating
 B-Plating before stamping
 ⑦ Mold No./Mark/Special No.

REVISIONS
Unauthorized Signature(s)

MARK	DESCRIPTION	DATE	REVISED	APPROVED	UNSPECIFIED TOLERANCES
△X					L > 63 ± 0.5
△X					16 < L ≤ 63 ± 0.4
△X					4 < L ≤ 16 ± 0.3
△X					L ≤ 4 ± 0.2
					ANGULAR ± 5°

For and on behalf of
KKB INDUSTRIAL PRECISION CO., LIMITED
香港星坤工業精密有限公司

DATE	SCALE: N/A	MODEL TYPE:	MODEL TYPE:
DNSD	DATE	X8821H-XX-N0	X8821H-XX-N0
DWN	DATE	VIEW:	PART NO.:
CHKD	DATE	UNIT: mm	2.50mm Crimp style Connector
APPD	DATE	SIZE: A4	DWG NO.:
		WEIGHT: 1.0g	REVISION
		SHEET	A0

PART NO	Material	Suitable KKB Terminal	Suitable KKB Terminal
X8821H-XX-N0	Nylon 66 UL 94V-0	X8821T	X8821W, 8821HF

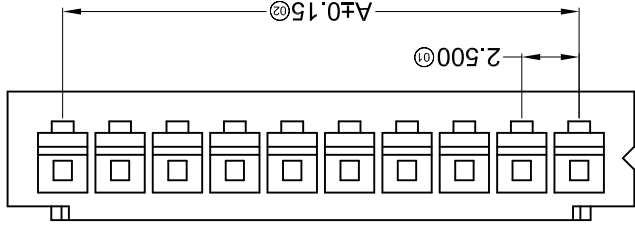
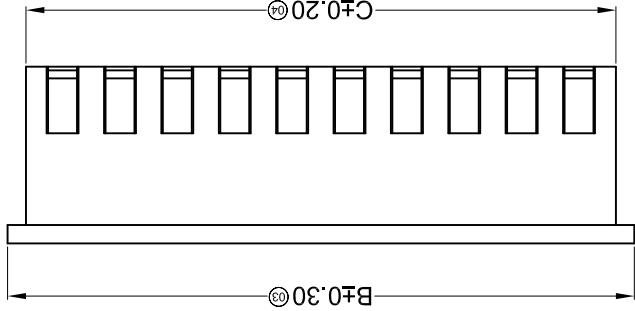
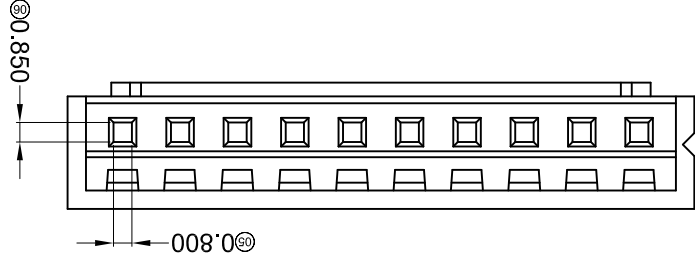
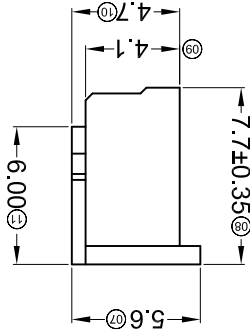
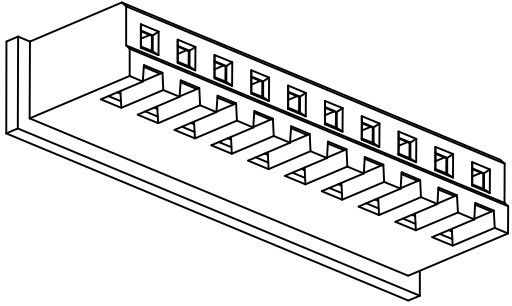
Poles	Dimensions(mm)		
	A	B	C
02	2.50	7.30	5.70
03	5.00	9.80	8.20
04	7.50	12.30	10.70
05	10.00	14.80	13.20
06	12.50	17.30	15.70
07	15.00	19.80	18.20
08	17.50	22.30	20.70
09	20.00	24.80	23.20

- ① Series No.
- ② Category: H-HSG
- ③ Appearance type: Blank-Ordinary
- ④ Row No.-Pin No.: XX-Single Row
- ⑤ Plug the Pin & Special No. Blank-Ordinary
- ⑥ Material: N0-PA66 94V-0 N2-PA66 94V-2
- ⑦ Color: Blank : Natural Color

X8821 H X-XX X-N0 XX
① ② ③ ④ ⑤ ⑥ ⑦

- Voltage rating: 250V AC / DC
- Current rating: 3A AC / DC
- Withstanding voltage: 1000V AC/minute
- Temperature range: -25°C~+85°C
- Insulation resistance: ≥1000MΩ
- Contact resistance: ≤10mΩ
- After environmental testing: ≤20mΩ

Specifications :

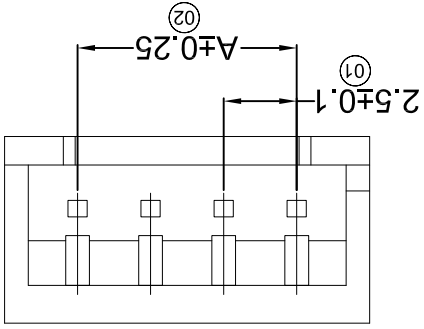
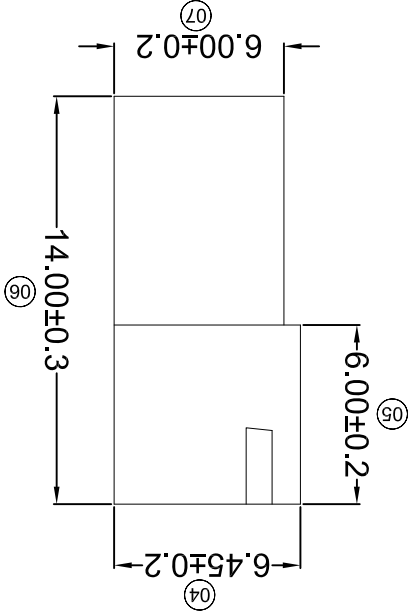
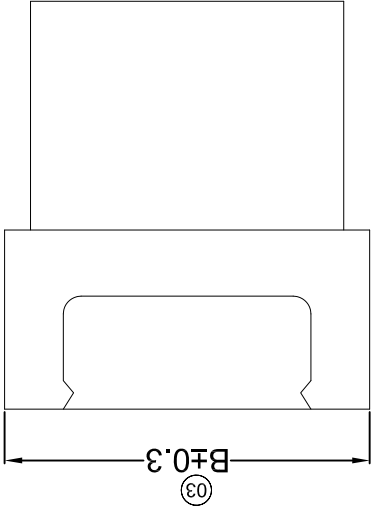


For and on behalf of
XKB INDUSTRIAL PRECISION CO., LIMITED
 香港星坤工業精密有限公司

REVISIONS
 Authorized Signature(s)

MARK	DESCRIPTION	DATE	REVISED	APPROVED	UNSPECIFIED TOLERANCES
△X					L > 63
△X					16 < L ≤ 63
△X					4 < L ≤ 16
					L ≤ 4
					ANGULAR
					± 5°

DSND	DATE	SCALE: N/A	MODEL TYPE: X8821HF-XX-N0
DWN	DATE <td>VIEW: </td> <td>PART NO.: 2.50 mm Crimp style Connector</td>	VIEW:	PART NO.: 2.50 mm Crimp style Connector
CHKD	DATE <td>UNIT: mm</td> <td>DWG NO.:</td>	UNIT: mm	DWG NO.:
APPD	DATE <td>SIZE: A4</td> <td>WEIGHT: 1.0g</td>	SIZE: A4	WEIGHT: 1.0g
			SHEET: 1/1
			REVISION: A0



- **Specifications :**
- Voltage rating: 250V AC / DC
 - Current rating: 3A AC / DC
 - Withstanding voltage: 1000V AC/minute
 - Temperature range: -25°C~+85°C
 - Insulation resistance: $\geq 1000M\Omega$
 - Contact resistance: $\leq 10m\Omega$
 - After environmental testing : $\leq 20m\Omega$

X8821 H F-XX X-N0 XX
 ① Series No.

Poles	Dimensions (mm)	
	A	B
02	2.50	7.50
03	5.00	10.00
04	7.50	12.50
05	10.00	15.00
06	12.50	17.50
07	15.00	20.00
08	17.50	22.50
09	20.00	25.00
10	22.50	27.50
11	25.00	30.00
12	27.50	32.50
13	30.00	35.00
14	32.50	37.50
15	35.00	40.00
16	37.50	42.50
17	40.00	45.00
18	42.50	47.50
19	45.00	50.00
20	47.50	52.50

- ② Category: H-HSG
- ③ Appearance type: F-Female
- ④ Row No.-Pin No.: XX-Single Row
- ⑤ Plug the Pin & Special No. Blank-Ordinary
- ⑥ Material : N0-PA66 94V-0 N2-PA66 94V-2
- ⑦ Color: Blank : Natural Color

PART NO	Material	Suitable XKB Terminal	Suitable XKB Terminal
X8821HF-XX-N0	Nylon 66 UL 94V-0	X8821TM	X8821W、8821H

X-ON Electronics

Largest Supplier of Electrical and Electronic Components

Click to view similar products for [Headers & Wire Housings](#) category:

Click to view products by [XKB](#) manufacturer:

Other Similar products are found below :

[95000-104TRLF](#) [10135584-644402LF](#) [DF62W-EP2022PCA](#) [95000-106TRLF](#) [DF62W-2022SCA](#) [DF62W-EP2022PC](#) [2203348](#) [DF62W-2022SC](#) [1084018](#) [1029039](#) [1084017](#) [802-10-012-10-002000](#) [1112640](#) [1112639](#) [891-007-9SS-BST1T](#) [000-34000](#) [0008550134](#) [0009482033](#) [0009507031](#) [57102-F02-18ULF](#) [57102-S06-03LF](#) [57202-S52-04LF](#) [PCN6-15S-2.5E](#) [0039019024](#) [58102-G61-06LF](#) [582553-1](#) [0009485154](#) [0009508121](#) [0022285053](#) [0050291907](#) [018731A](#) [LY20-4P-DT1-P1E-BR](#) [02.125.8002.8](#) [60101931](#) [60598-1 \(Cut Strip\)](#) [M1625-3R/100](#) [61062-3](#) [61082-181009](#) [CSU011177004](#) [636-1427](#) [638009-1](#) [641938-9](#) [641991-4](#) [644168-1](#) [644827-2](#) [647662-1](#) [65039-019ELF](#) [65692-001LF](#) [65781-018](#) [65781-047](#)