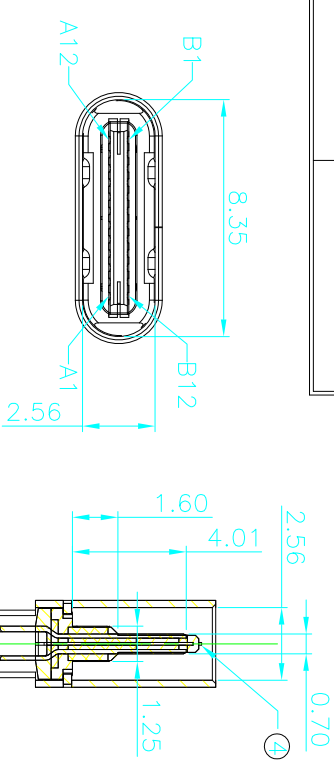
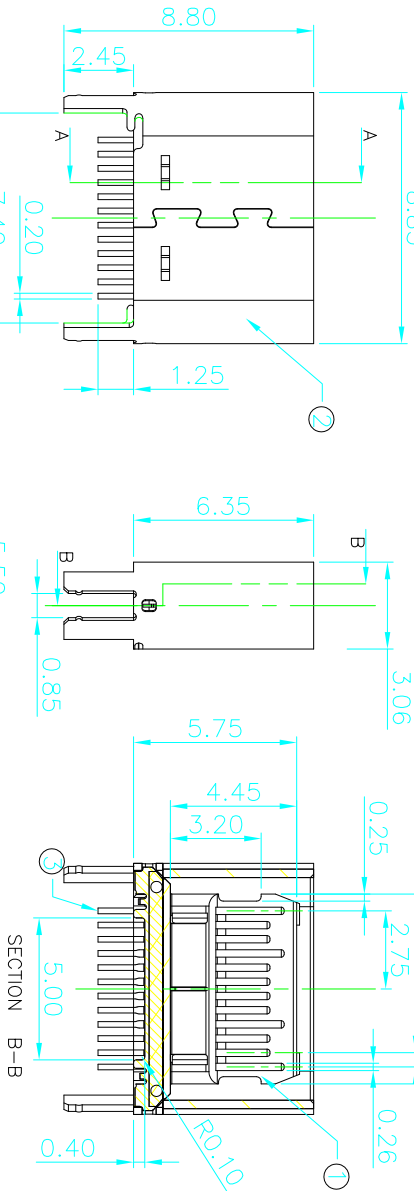
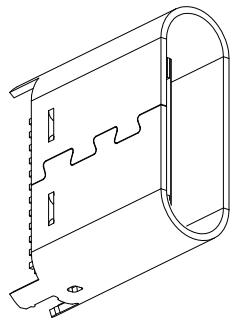


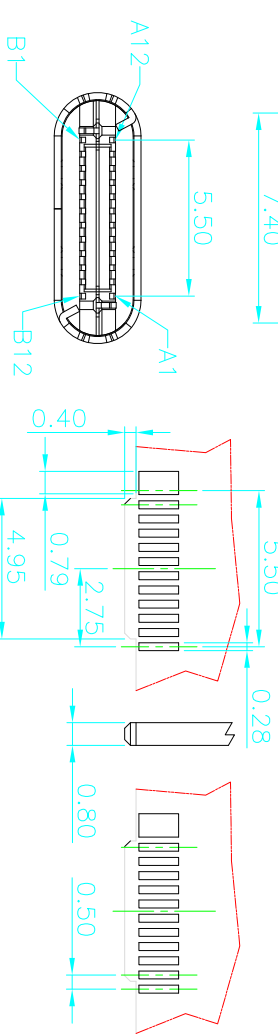
ROHS



SECTION A-A



SECTION B-B



PCB LAYOUT

MAPX	MODIFICATION	DRW	DATE

NOTES:

- 1-ELECTRICAL CHARACTERISTICS:
 1-1>Contact current rating:
 5.0A for Vbus pin and its corresponding GND pin.
 0.25A min for all other contact.
 1-2>Contact resistance:
 50 Milliohms Max for Vbus and GND contact.
 50 Milliohms Max for all other contact.
 1-3,Dielectric withstanding voltage:100V AC Min.
 1-4,Insulation resistance:100 Megohms Min.
 2-MECHANICAL CHARACTERISTICS:
 2-1,Connector insertion force:5~20N.
 At a maximum rate of 12.5mm per second.
 2-2,Connector extraction force:8~20N.
 At a maximum rate of 12.5mm per second.
 2-3,Durability:10000 cycles.
 2-4,Operating temperature:-55C~+85C.
 3.DIMENSIONS ARE IN MILLIMETERS,BRACKETED DIMENSIONS ARE INCHES EQUIVALENTS.
 4.THE CONNECTOR IS ROHS COMPLIANT AND HALOGEN FREE COMPLIANT.

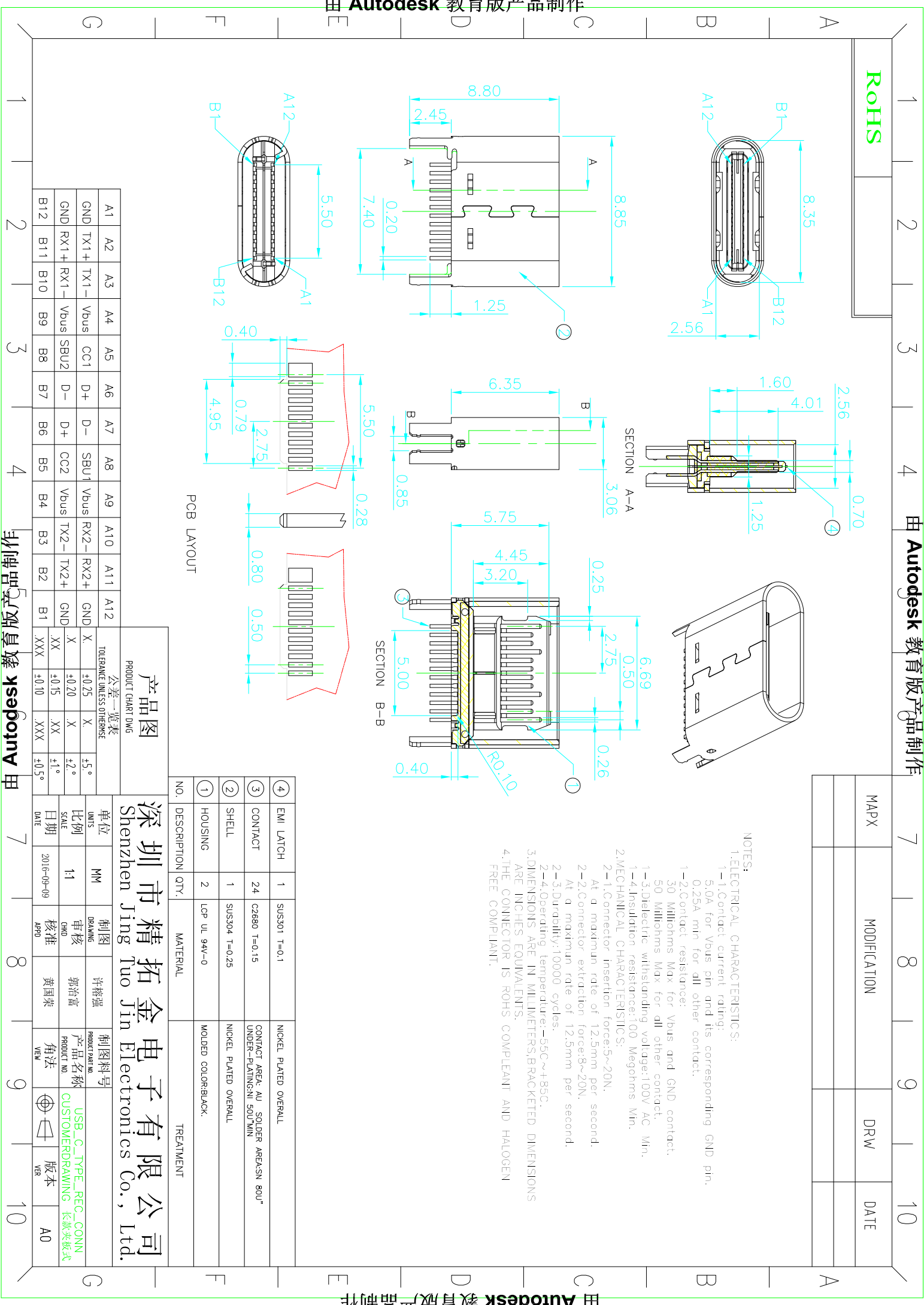
NO.	DESCRIPTION	QTY.	MATERIAL	TREATMENT
④	EMI LATCH	1	SUS301 T=0.1	NICKEL PLATED OVERALL
③	CONTACT	24	C2680 T=0.15	CONTACT AREA: AU SOLDER AREA:SN 80U" UNDER-PLATING:NI 50U"MIN
②	SHELL	1	SUS304 T=0.25	NICKEL PLATED OVERALL
①	HOUSING	2	LCP UL 94V-0	MOLDED COLOUR:BLACK.

产品图

公差一览表
 TOLERANCE UNLESS OTHERWISE SPECIFIED
 单位 MM
 比例 1:1
 日期 2016-09-09
 制图 许榕强
 审核 郭治富
 核准 黄国荣
 产品名称 USB_C_TYPE_REC_CONN
 产品型号 CUSTOMERDRAWING 长款夹板式
 版本 A0

深圳市精拓电子有限公司
 Shenzhen Jing Tuo Jin Electronics Co., Ltd.

A1	A2	A3	A4	A5	A6	A7	A8	A9	A10	A11	A12
GND	TX1+	TX1-	Vbus	CC1	D+	D-	SBU1	Vbus	RX2-	RX2+	GND
GND	RX1+	RX1-	Vbus	SBU2	D-	D+	CC2	Vbus	TX2-	TX2+	GND
B12	B11	B10	B9	B8	B7	B6	B5	B4	B3	B2	B1
XXX	XXX	XXX	XXX	XXX	XXX	XXX	XXX	XXX	XXX	XXX	XXX



X-ON Electronics

Largest Supplier of Electrical and Electronic Components

Click to view similar products for [USB Connectors](#) category:

Click to view products by [Jing](#) manufacturer:

Other Similar products are found below :

[10033527-N3112MLF](#) [17-210561](#) [GMCB05B11124H1EU](#) [17-200931](#) [65-647-8-BK-BU](#) [690-010-295-484](#) [73725-1191BLF](#) [950](#) [E8144-B01021-L](#) [A-USB A-LP-SMT-C](#) [A-USB B-TOP-C](#) [MUSBA511N5](#) [MUSBB15131](#) [MUSBC111M5](#) [MUSBD11135](#) [217450-1](#) [CA 6 W LD](#)
[896-30-004-00-000000](#) [KUSBVX-BS1N-W30](#) [KUSBX-AP-KIT-SCBLK](#) [KUSBX-AS2N-W](#) [KUSBX-SMT2AP1S-W](#) [KUSBX-SMTAS1NBTR](#) [KUSBX-SMTBS1NBTR](#) [30-498-6](#) [SK-60A-2](#) [17-200261](#) [17-210051](#) [1734082-1](#) [FK-37-32SL](#) [30-1574](#) [30-470](#) [30-489](#) [30-541](#) [30-572-3](#) [30-9503](#) [M9177/2-1](#) [MAB 5 S](#) [MIKROE-1451](#) [33UBBR-04SW11R](#) [USBFTV2PEM2G](#) [USBFTVC6ZN](#) [USBFTVSCCG](#)
[KUSBX-AS2N-W30](#) [KUSBX-SLAS1N-W](#) [KUSBX-SLAS1N-W30](#) [1-1734084-2](#) [E8110-001-01](#) [MUSBC11135](#) [NK-27-32SL](#)