

For and on behalf of
XKB INDUSTRIAL PRECISION CO., LIMITED
 香港星洲工業精密有限公司

MARK	DESCRIPTION	DATE	REVISED	APPROVED	UNSPECIFIED TOLERANCES
△X					16 > L ≤ 63
△X					4 ≤ L ≤ 16
△X					L ≤ 4
					ANGULAR ±5°

REVISIONS	Authorized Signatures(s)				
DATE	REVISED	APPROVED	L > 63	±0.5	
			16 > L ≤ 63	±0.4	
			4 ≤ L ≤ 16	±0.3	
			L ≤ 4	±0.2	
			ANGULAR	±5°	

DSND	DATE	SCALE: N/A	MODEL TYPE: X9821WV-XX-XXSN
DWN	DATE <td>VIEW: </td> <td>PART NO.:</td>	VIEW:	PART NO.:
CHKD	DATE <td>UNIT: mm</td> <td>DWG NO.:</td>	UNIT: mm	DWG NO.:
APPD	DATE <td>SIZE: A4</td> <td>REVISION</td>	SIZE: A4	REVISION
			SHEET 1/1
			WEIGHT 1.0g
			REVISION A0

PART NO	Material	Material(Pin)	Finish(Pin)	Suitable XKB Terminal
9821WV-XX-LPSN	LCP UL 94V-0	Phosphor Bronze	Tin-Plated	X9821H
9821WV-XX-6TSN	PA6T UL 94V-0	Phosphor Bronze	Tin-Plated	X9821H
9821WV-XX-46SN	PA46 UL 94V-0	Phosphor Bronze	Tin-Plated	X9821H
9821WV-XX-N0SN	PA66 UL 94V-0	Phosphor Bronze	Tin-Plated	X9821H

Poles	Dimensions(mm)			Poles	Dimensions(mm)		
	A	B	C		A	B	C
02	1.25	4.25	3.15	10	11.25	14.25	13.15
03	2.50	5.50	4.40	11	12.50	15.50	14.40
04	3.75	6.75	5.65	12	13.75	16.75	15.65
05	5.00	8.00	6.90	13	15.00	18.00	16.90
06	6.25	9.25	8.15	14	16.25	19.25	18.15
07	7.50	10.50	9.40	15	17.50	20.50	19.40
08	8.75	11.75	10.65	16	18.75	21.75	20.65
09	10.00	13.00	11.90				

- ① Series No. X9821 W V X-XX X-XX SN XX
- ② Category: W-water
- ③ Welding Board Angle: V- Straight 180°
- ④ Welding Way: Blank-DIP
- ⑤ Row No.-Pin No.: XX-02P~16P
- ⑥ Plug the Pin & Special No.:
- ⑦ Material: 46-PA46 94V-0; NO-PA66 94V-0
- ⑧ 6T-PA6T 94V-0; LP-LCP 94V-0
- ⑨ Plating Category: SN-Bright tin plating; SW-Matte Tin plating
- ⑩ Color: Blank-natural color

- Specifications :
- Voltage rating: 125V AC / DC
 - Current rating: 1A AC / DC
 - Withstanding voltage: 250V AC/minute
 - Temperature range: -25°C~+85°C
 - Insulation resistance: ≥100MΩ
 - Contact resistance: ≤20mΩ
 - After environmental testing: ≤40mΩ

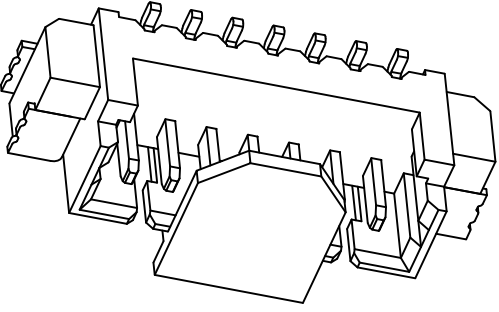
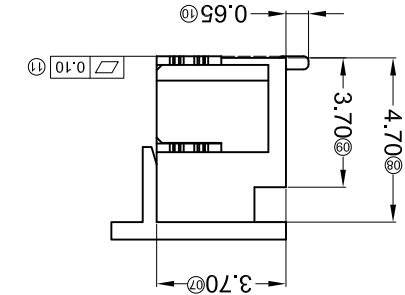
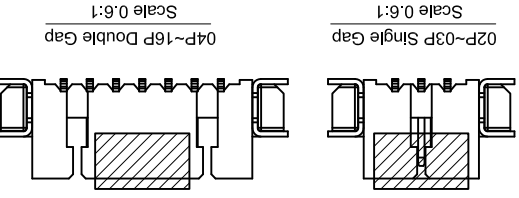
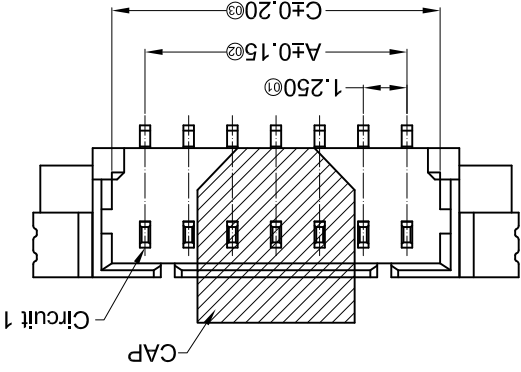
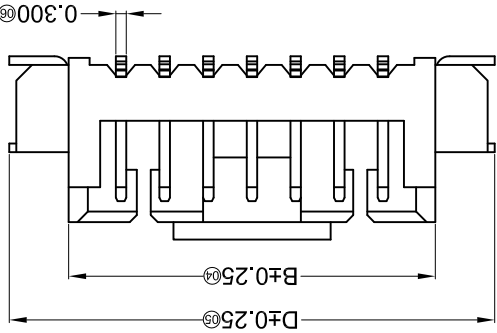
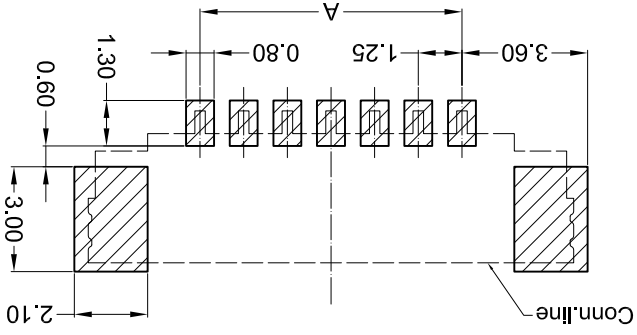
For and on behalf of
XKB INDUSTRIAL PRECISION CO., LIMITED
 香港星坤工業精密有限公司

REVISIONS
 Authorized Signatures(s)

MARK	DESCRIPTION	DATE	REVISED	APPROVED	UNSPECIFIED TOLERANCES
△ X					L > 63
△ X					16 < L ≤ 63
△ X					4 < L ≤ 16
△ X					L ≤ 4
					ANGULAR
					±5°

DSND	DATE	SCALE: N/A	MODEL TYPE: X9821WVS-XXA-XXSN
DWN	DATE <td>VIEW: </td> <td>PART NO.:</td>	VIEW:	PART NO.:
CHKD	DATE <td>UNIT: mm</td> <td>DWG NO.:</td>	UNIT: mm	DWG NO.:
APPD	DATE <td>SIZE: A4</td> <td>WEIGHT: 1.0g</td>	SIZE: A4	WEIGHT: 1.0g
			SHEET: 1/1
			REVISION: A0

Recommended P.C.B Layout
 General Tolerance±0.05



PART NO	Material	Material(Pin)	Finish(Pin)	(Solder Tabs)	(Solder Tabs)	Suitable XKB Terminal
9821WVS-XXA-LPSN	LCP UL 94V-0	Phosphor Bronze	Tin-Plated	Phosphor Bronze	Tin-Plated	X9821H

Poles	Dimensions(mm)				Poles	Dimensions(mm)			
	A	B	C	D		A	B	C	D
02	1.25	4.25	3.15	7.65	10	11.25	14.25	13.15	17.65
03	2.50	5.50	4.40	8.90	11	12.50	15.50	14.40	18.90
04	3.75	6.75	5.65	10.15	12	13.75	16.75	15.65	20.15
05	5.00	8.00	6.90	11.40	13	15.00	18.00	16.90	21.40
06	6.25	9.25	8.15	12.65	14	16.25	19.25	18.15	22.65
07	7.50	10.50	9.40	13.90	15	17.50	20.50	19.40	23.90
08	8.75	11.75	10.65	15.15	16	18.75	21.75	20.65	25.15
09	10.00	13.00	11.90	16.40					

- ① Series No.
 - ② Category: W-water
 - ③ Welding Board Angle: V- Straight 180°
 - ④ Welding Way: S-SMT
 - ⑤ Row No.-Pin No.: XX-02P~16P
 - ⑥ Plug the Pin & Special No.: A-All Ear clip
 - ⑦ Material: LP-LCP 94V-0
 - ⑧ Plating Category: SN-Bright tin plating;
 - ⑨ Color: Blank-natural color
- X9821 W V S-XX A-LP SN XX

- Specifications:
- Voltage rating: 125V AC / DC
 - Current rating: 1A AC / DC
 - Withstanding voltage: 250V AC/minute
 - Temperature range: -25°C~+85°C
 - Insulation resistance: ≥100MΩ
 - Contact resistance: ≤20mΩ
 - After environmental testing: ≤40mΩ

For and on behalf of
XKB INDUSTRIAL PRECISION CO., LIMITED
 香港星坤工業精密有限公司

REVISIONS
 Authorized Signature(s)

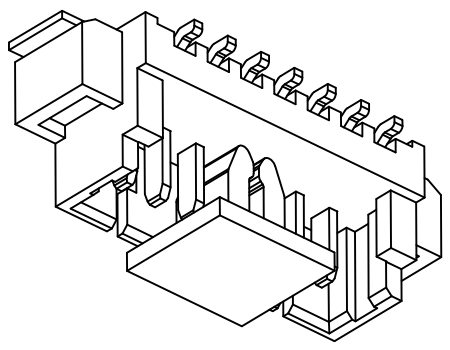
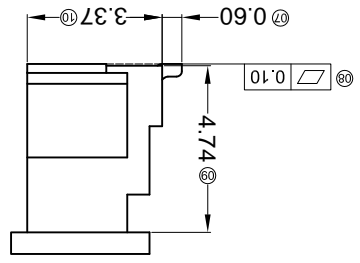
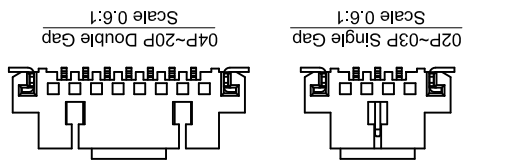
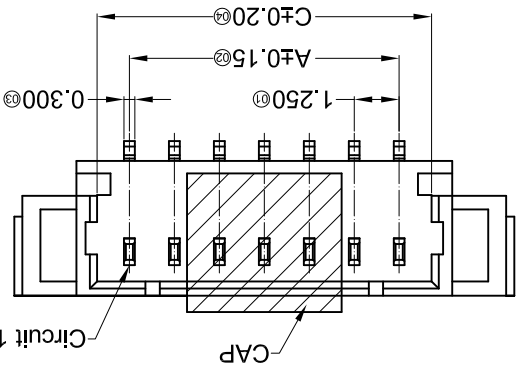
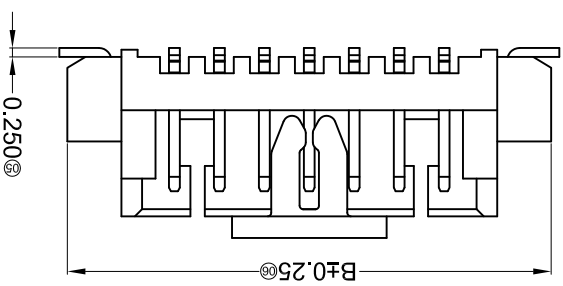
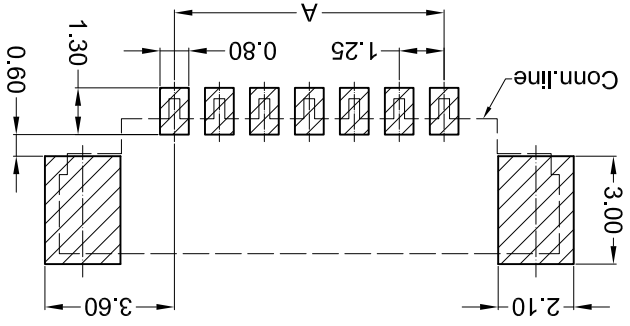
MARK	DESCRIPTION	DATE	REVISED	APPROVED	UNSPECIFIED TOLERANCES
△ X					L > 63 ±0.5
△ X					16 < L ≤ 63 ±0.4
△ X					4 < L ≤ 16 ±0.3
△ X					L ≤ 4 ±0.2
					ANGULAR ±5°

REVISION	SHEET	WEIGHT	SIZE	DATE	DATE	DATE	DATE	DATE
A0	1/1	1.0g	A4					

APPD	CHKD	DWN	DSND

MODEL TYPE	SCALE	VIEW	UNIT	DWG NO.	PART NO.
X9821WVS-XX-9TSN	N/A	①	mm	1.25mm Crimp Style Connectors	

Recommended P.C.B Layout
 General Tolerance±0.05



PART NO	Material	Material(Pin)	Finish(Pin)	Material (Solder Tabs)	Finish (Solder Tabs)	Suitable XKB Terminal
X9821WVS-XX-9TSN	Nylon 9T UL 94V-0	Brass	Tin-Plated	Brass	Tin-Plated	X9821H

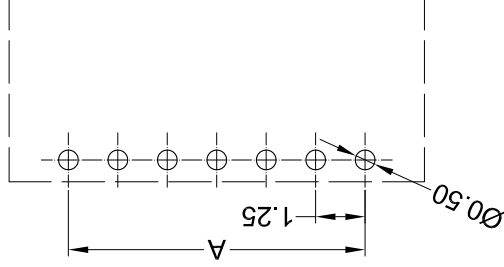
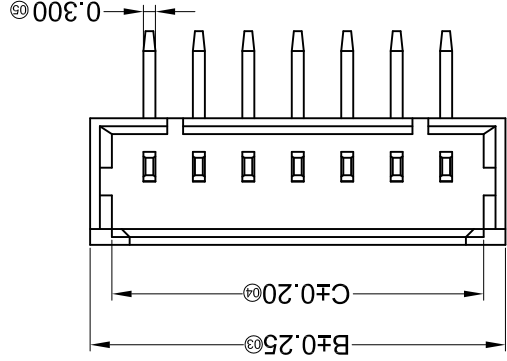
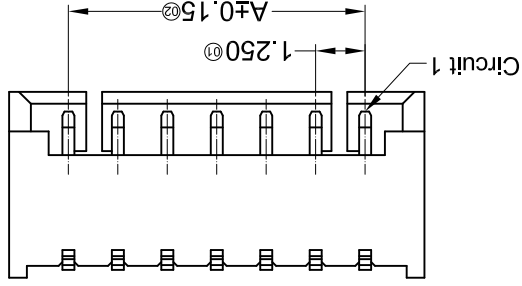
Poles	Dimensions(mm)		
	A	B	C
02	1.25	7.20	3.05
03	2.50	8.45	4.30
04	3.75	9.70	5.55
05	5.00	10.95	6.80
06	6.25	12.20	8.05
07	7.50	13.45	9.30
08	8.75	14.70	10.55
09	10.00	15.95	11.80
10	11.25	17.20	13.05
11	12.50	18.45	14.30

Poles	Dimensions(mm)		
	A	B	C
02	13.75	19.70	15.55
03	15.00	20.95	16.80
04	16.25	22.20	18.05
05	17.50	23.45	19.30
06	18.75	24.70	20.55
07	20.00	25.95	21.80
08	21.25	27.20	23.05
09	22.50	28.45	24.30
10	23.75	29.70	25.55

- ① Series No.
 ② Category: W-water
 ③ Welding Board Angle: V- Straight 180°
 ④ Welding Way: S-SMT
 ⑤ Row No.-Pin No.: XX-02P~20P
 ⑥ Plug the Pin & Special No.:
 ⑦ Material: 9T-PA9T 94V-0
 ⑧ Plating Category: SN-Bright tin plating;
 ⑨ Color: Blank-Natural Color
- Specifications :
- Voltage rating: 125V AC / DC
 - Current rating: 1A AC / DC
 - Withstanding voltage: 250V AC/minute
 - Temperature range: -25°C~+85°C
 - Insulation resistance: ≥100MΩ
 - Contact resistance: ≤20mΩ
 - After environmental testing: ≤40mΩ

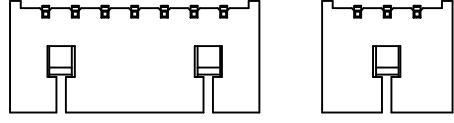
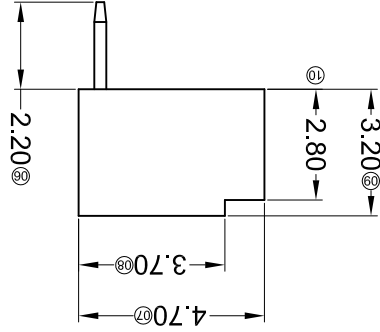
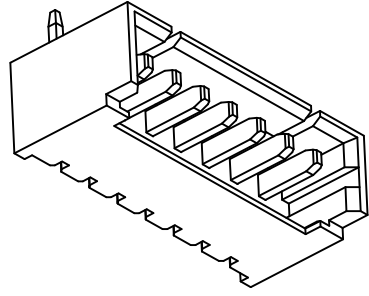
X9821 W V S-XX X-9T SN XX

① ② ③ ④ ⑤ ⑥ ⑦ ⑧ ⑨



Recommended P.C.B Layout
General Tolerance±0.05

For and on behalf of
XKB INDUSTRIAL PRECISION CO., LIMITED
香港星坤工業精密有限公司



MARK	DESCRIPTION	DATE	REVISD	APPROVED	UNSPCIFIED TOLERANCES
△X					L > 63
△X					16 > L ≤ 63
△X					4 < L ≤ 16
△X					L ≤ 4
					ANGULAR
					±5°

PART NO	Material	Material(Pin)	Finish(Pin)	Suitable XKB Terminal
X9821WR-XX-6TSN	PA6T UL 94V-0	Brass	Tin-Plated	X9821H
X9821WR-XX-46SN	PA46 UL 94V-0	Brass	Tin-Plated	
X9821WR-XX-N0SN	PA66 UL 94V-0			

Poles	Dimensions(mm)		
	A	B	C
02	1.25	4.25	3.15
03	2.50	5.50	4.40
04	3.75	6.75	5.65
05	5.00	8.00	6.90
06	6.25	9.25	8.15
07	7.50	10.50	9.40
08	8.75	11.75	10.65
09	10.00	13.00	11.90

- ① Series No.
- ② Category: W-water
- ③ Welding Board Angle: R- Right Angle 90°
- ④ Welding Way: Blank-DIP
- ⑤ Row No.-Pin No.: XX-02P~16P
- ⑥ Plug the Pin & Special No.:
- ⑦ Material: 46-PA46 94V-0; NO-PA66 94V-0; 6T-PA6T 94V-0
- ⑧ Planting Category: SN-Bright tin plating; SW-MatteTin plating
- ⑨ Color: Blank-natural color

X9821 W R X-XX X-XX SN XX
① ② ③ ④ ⑤ ⑥ ⑦ ⑧ ⑨

- Specifications:
- Voltage rating: 125V AC / DC
- Current rating: 1A AC / DC
- Withstanding voltage: 250V AC/minute
- Temperature range: -25°C~+85°C
- Insulation resistance: ≥100MΩ
- Contact resistance: <20mΩ
- After environmental testing: ≤40mΩ

DSND	DATE	SCALE: N/A	MODEL TYPE: X9821WR-XX-XXSN
CHKD <th>DATE</th> <th>UNIT: mm</th> <th>DWG NO.:</th>	DATE	UNIT: mm	DWG NO.:
APPD <th>DATE</th> <th>SIZE: A4</th> <th>REVISION</th>	DATE	SIZE: A4	REVISION

REVISION	SHEET	WEIGHT
A0	1/1	1.0g

For and on behalf of
XKB INDUSTRIAL PRECISION CO., LIMITED
 香港星洲工業精密有限公司

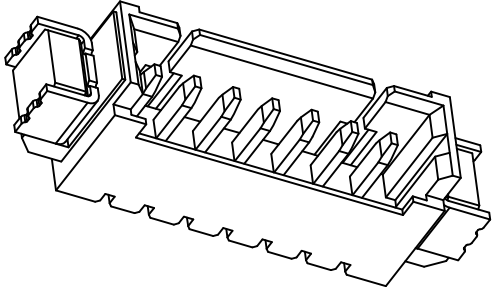
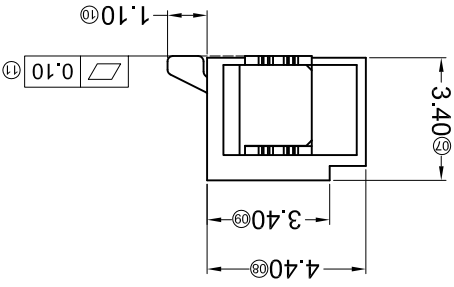
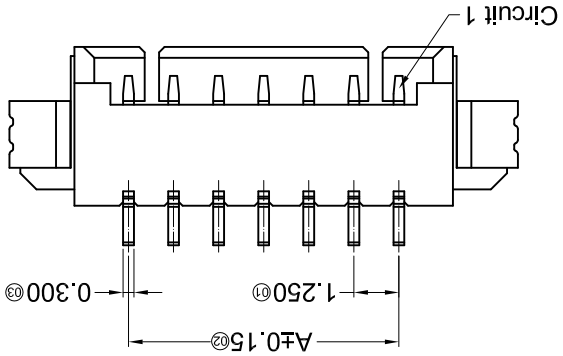
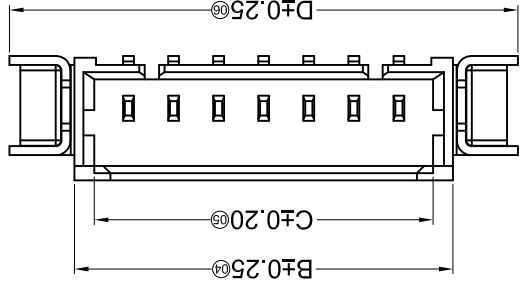
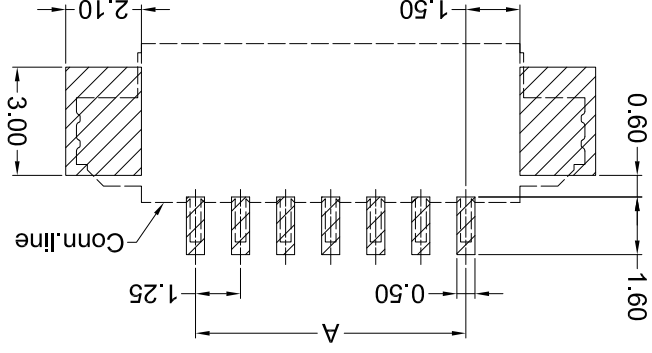
REVISIONS
 Authorized Signatures(s)

MARK	DESCRIPTION	DATE	REVISED	APPROVED	UNSPECIFIED TOLERANCES
△ X					L > 63
△ X					16 > L ≤ 63
△ X					4 < L ≤ 16
					L ≤ 4
					ANGULAR
					±5°

REVISION	SHEET	WEIGHT	WARRANTY	DATE	DWN	DATE	VIEW	UNIT	SIZE
A0	1/1	1.0g						mm	A4

MODEL TYPE: X9821WRS-XXA-LPSN
 PART NO.:
 DWG NO.:
 1.25mm Crimp Style Connectors

Recommended P.C.B Layout
 General Tolerance±0.05



Poles	Dimensions(mm)			Poles	Dimensions(mm)		
	A	B	C		D	A	B
02	1.25	4.25	3.15	10	11.25	14.25	13.15
03	2.50	5.50	4.40	11	12.50	15.50	14.40
04	3.75	6.75	5.65	12	13.75	16.75	15.65
05	5.00	8.00	6.90	13	15.00	18.00	16.90
06	6.25	9.25	8.15	14	16.25	19.25	18.15
07	7.50	10.50	9.40	15	17.50	20.50	19.40
08	8.75	11.75	10.65	16	18.75	21.75	20.65
09	10.00	13.00	11.90	16.40			25.15

PART NO	Material	Finish(Pin)	Material (Solder Tabs)	Finish (Pin)	Material (Solder Tabs)	Suitable XKB Terminal
X9821WRS-XXA-LPSNH	LCP UL 94V-0 Halogen Free	Tin-Plated	Phosphor Bronze	Tin-Plated	Tin-Plated	X9821H
X9821WRS-XXA-LPSN	LCP UL 94V-0	Phosphor Bronze	Phosphor Bronze	Tin-Plated	Tin-Plated	X9821H

X9821 W R S-XX A-LP SN HF
 ① Series No.
 ② Category: W-water
 ③ Welding Board Angle: R- Right Angle 90°
 ④ Welding Way: S-SMT
 ⑤ Row No.-Pin No.: XX-02P~16P
 ⑥ Plug the Pin & Special No.: A-All ear clip
 ⑦ Material: LP-LCP 94V-0
 ⑧ Planting Category: SN-Bright tin plating;
 ⑨ HF-Halogen Free

- Specifications:
- Voltage rating: 125V AC / DC
 - Current rating: 1A AC / DC
 - Withstanding voltage: 250V AC/minute
 - Temperature range: -25°C~+85°C
 - Insulation resistance: ≥100MΩ
 - Contact resistance: ≤20mΩ
 - After environmental testing: ≤40mΩ

For and on behalf of
XKB INDUSTRIAL PRECISION CO., LIMITED
 香港星洲工業精密有限公司

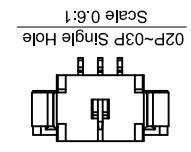
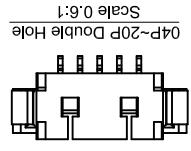
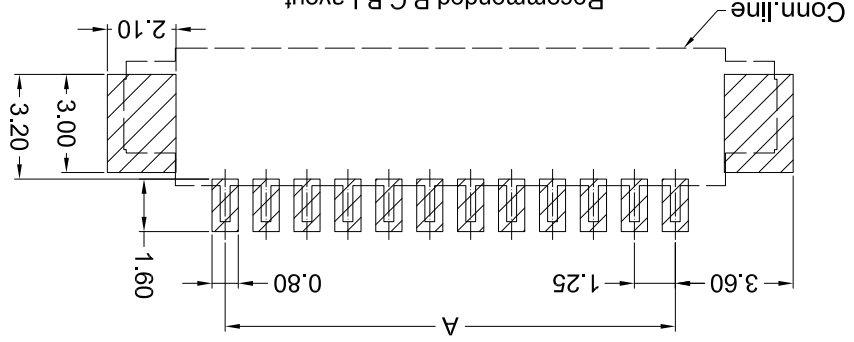
REVISIONS
 Authorized Signatures(s)

MARK	DESCRIPTION	DATE	REVISED	APPROVED	UNSPECIFIED TOLERANCES	
					L > 63	±0.5
△ X					16 < L ≤ 63	±0.4
△ X					4 < L ≤ 16	±0.3
△ X					L ≤ 4	±0.2
					ANGULAR	±5°

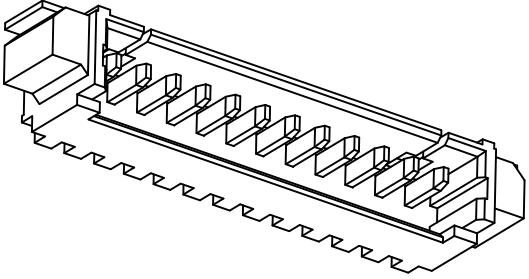
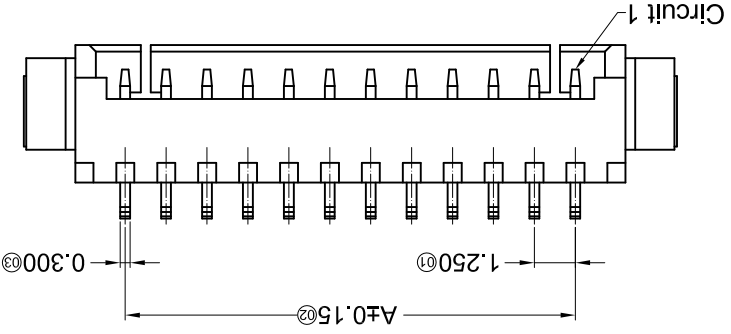
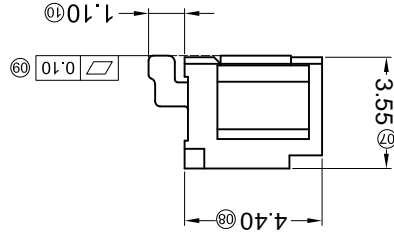
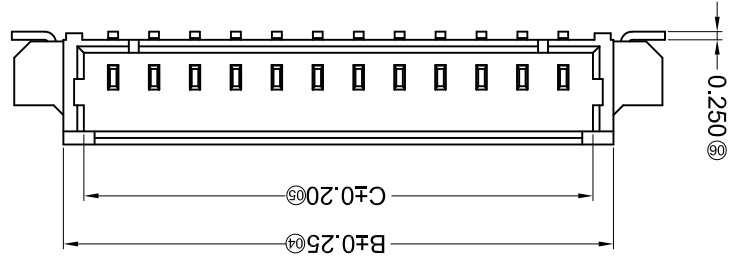
DSND	DATE	SCALE: N/A	MODEL TYPE: X9821WRS-XX-9TSN
DWN	DATE	VIEW:	PART NO.:
CHKD	DATE	UNIT: mm	DWG NO.:
APPD	DATE	SIZE: A4	WEIGHT: 1.0g
			SHEET: 1/1
			REVISION: A0

PART NO	Material	Material(Pin)	Finish(Pin)	Material (Solder Tabs)	Finish (Solder Tabs)	Suitable XKB Terminal
X9821WRS-XX-9TSN	Nylon 9T UL 94V-0	Brass	Tin-Plated	Brass	Tin-Plated	X9821H

Recommended P.C.B Layout
 General Tolerance ±0.05



Poles	Dimensions(mm)		
	A	B	C
02	1.25	4.25	3.05
03	2.50	5.50	4.30
04	3.75	6.75	5.55
05	5.00	8.00	6.80
06	6.25	9.25	8.05
07	7.50	10.50	9.30
08	8.75	11.75	10.55
09	10.00	13.00	11.80
10	11.25	14.25	13.05
11	12.50	15.50	14.30



■ Specifications :

- Voltage rating: 125V AC / DC
- Current rating: 1A AC / DC
- Withstanding voltage: 250V AC/minute
- Temperature range: -25°C~+85°C
- Insulation resistance: ≥100MΩ
- Contact resistance: ≤20mΩ
- After environmental testing: ≤40mΩ

X9821 W R S - XX X - 9T SN XX
 ① Series No.
 ② Category: W-wafer
 ③ Welding Board Angle: R-Right Angle 90°
 ④ Welding Way: S-SMT
 ⑤ Row No.-Pin No.: XX-02P~20P
 ⑥ Plug the Pin & Special NO.
 ⑦ Material: 9T-PA9T 94V-0
 ⑧ Plating Category: SN-Bright tin plating
 ⑨ Color: Blank-natural color

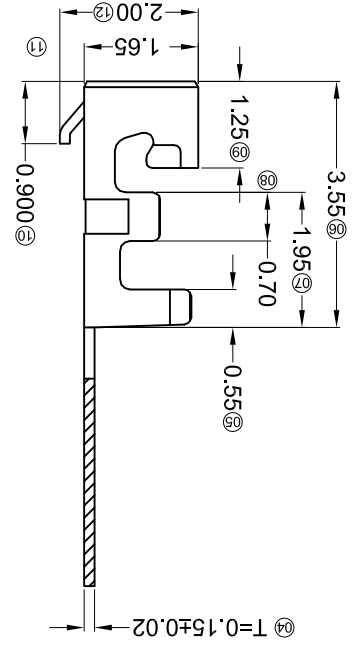
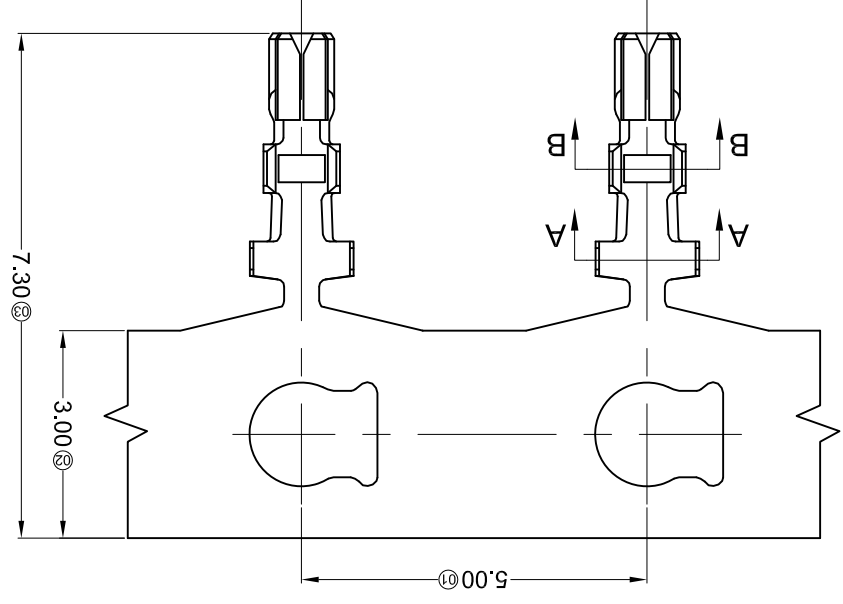
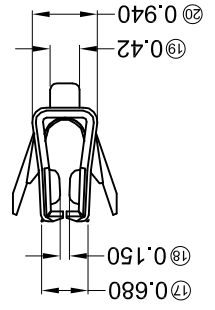
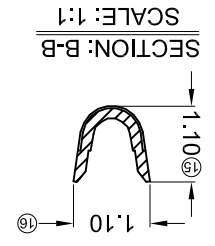
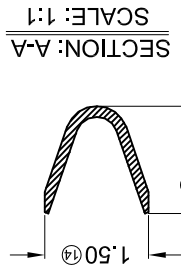
For and on behalf of
XKB INDUSTRIAL PRECISION CO., LIMITED
 香港星坤工業精密有限公司

REVISIONS
 Authorized Signature(s)

MARK	DESCRIPTION	DATE	REVISED	APPROVED	UNSPECIFIED TOLERANCES
△ X					L > 63 ± 0.5
△ X					16 < L ≤ 63 ± 0.4
△ X					4 < L ≤ 16 ± 0.3
					L ≤ 4 ± 0.2
					ANGULAR ± 5°

DSND	DATE	SCALE: N/A	MODEL TYPE: X9821T-PXXX-A
APPD	DATE <td>SIZE: A4</td> <td></td>	SIZE: A4	
CHKD	DATE <td>UNIT: mm</td> <td>DWG NO.:</td>	UNIT: mm	DWG NO.:
DWN	DATE <td>VIEW: </td> <td>PART NO.:</td>	VIEW:	PART NO.:
			1.25mm Crimp Style Connectors
			WEIGHT: 1.0g
			SHEET: 1/1
			REVISION: A0

PART NO	Material	Wire Range	Insulation O.D.	Finish	Suitable XKB
X9821T-PV0-1A	Phosphor Bronze	AWG#28-32	1.00mm(Max)	Stamping Before Plating:30u" Ni/Whole Gold :Gold Flash	X9821H-2*XX
X9821T-PSN-A				Stamping Before Plating:30u" Min Ni:70"Sn Min	



- Specifications :**
- Voltage rating: 125V AC / DC
 - Current rating: 1A AC / DC
 - Withstanding voltage: 250V AC/minute
 - Temperature range: -25°C~+85°C
 - Insulation resistance: ≥100MΩ
 - Contact resistance: ≤20mΩ
 - After environmental testing: ≤40mΩ
- ① Series Number
 X9821 T X-P XX X-A
- ② Category: T-terminal
 ③ Shape: Blank-ordinary
 ④ Material: P-Phosphor bronze
 ⑤ Plating style: SN-Bright tin plating ;
 ⑥ Plating method: V01-All Gold Flash
 ⑦ Blank-Stamping before plating
 ⑧ Mold No./Mark/Special No.
 A-Mate with 9821H-2*XX

For and on behalf of
XKB INDUSTRIAL PRECISION CO., LIMITED
 香港星坤工業精密有限公司

REVISIONS
 Authorized Signature(s)

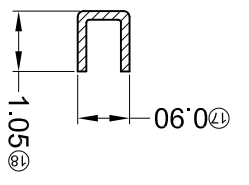
MARK	DESCRIPTION	DATE	REVISED	APPROVED	UNSPECIFIED TOLERANCES
△ X					16 < L ≤ 63
△ X					4 < L ≤ 16
△ X					L ≤ 4
					ANGULAR ±5°
					±0.5

REVISION	SHEET	WEIGHT	DATE	DATE	DATE	DATE	DATE
A0	1/1	1.0g					

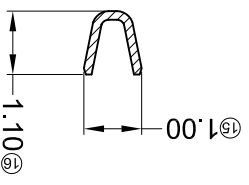
XKB INDUSTRIAL PRECISION CO., LIMITED

DSND	SCALE: N/A	VIEW:	UNIT: mm	SIZE: A4
DWN	MODEL TYPE: X9821TM-PXX	PART NO.:	DWG NO.:	
CHKD				
APPD				

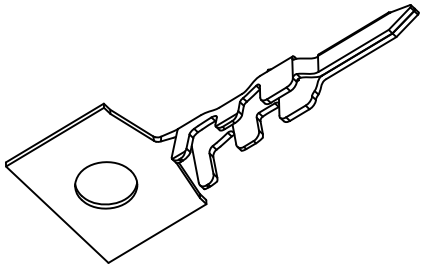
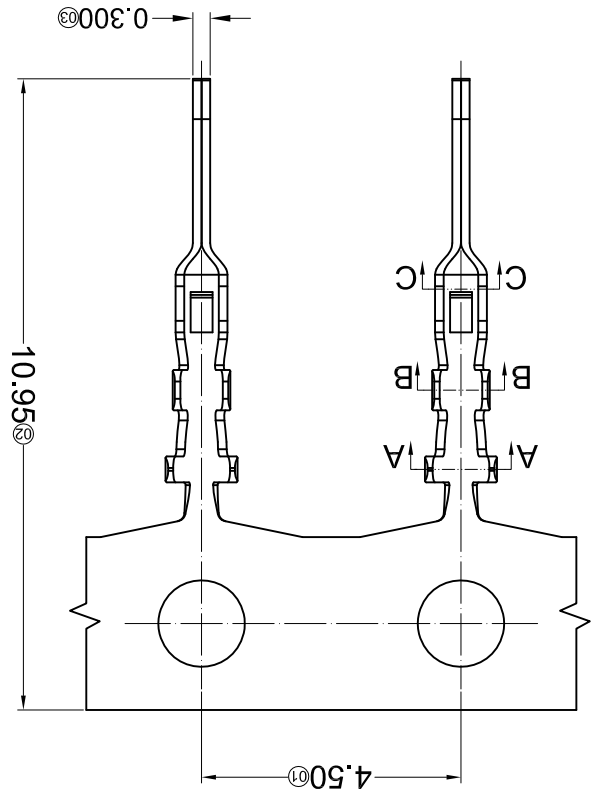
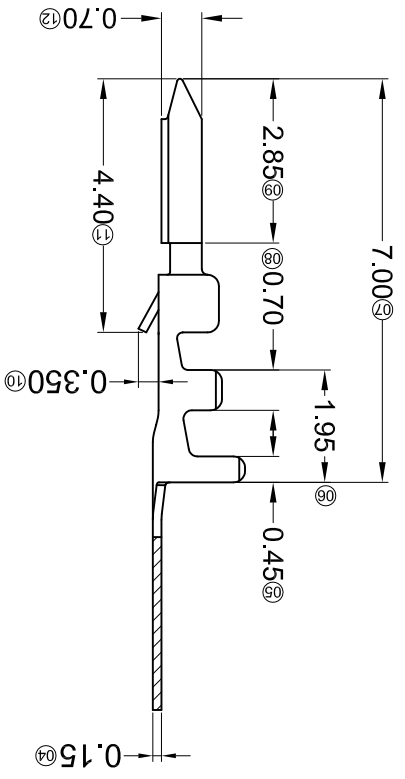
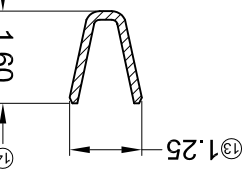
SECTION: C-C
 SCALE: 1:1



SECTION: B-B
 SCALE: 1:1



SECTION: A-A
 SCALE: 1:1



- ① Series Number
 X9821 T M-P XX X-X
 ② Category: T-terminal
 ③ Shape: M-male
 ④ Material: P-Phosphor bronze
 ⑤ Plating style: V01-Gold Flash; SN-Bright tin plating
 ⑥ Plating method: Blank-Stamping before plating
 ⑦ Mold No./Mark/Special No.

- Specifications:
- Voltage rating: 125V AC / DC
 - Current rating: 1A AC / DC
 - Withstanding voltage: 250V AC/minute
 - Temperature range: -25°C~+85°C
 - Insulation resistance: ≥100MΩ
 - Contact resistance: ≤20mΩ
 - After environmental testing: ≤40mΩ

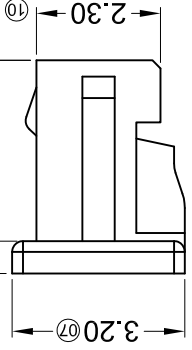
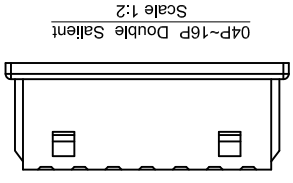
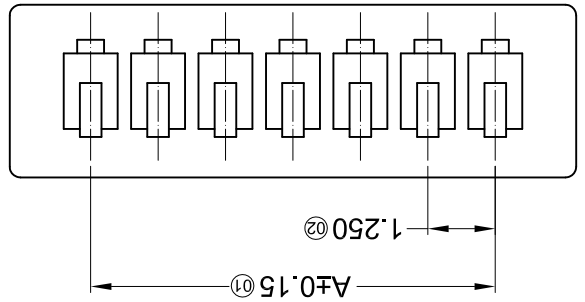
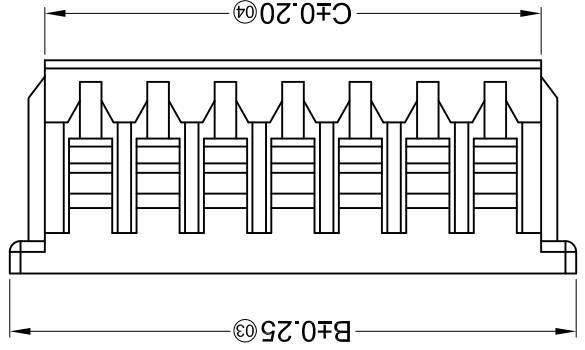
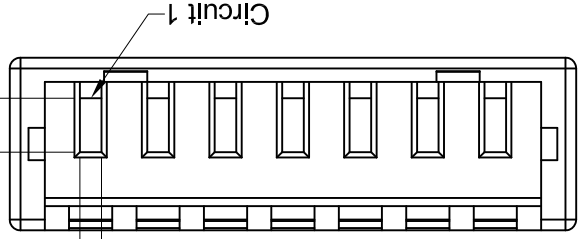
PART NO	Material	Wire Range	Insulation O.D.	Finish	Suitable XKB
X9821TM-PV01	Phosphor Bronze	AWG#26-32	1.00mm(Max)	Stamping Before Plating:30u" Min N/Whole Gold	X9821HF
X9821TM-PSN				Stamping Before Plating:30u" Min N/ 70u"Sn Min	

For and on behalf of
XKB INDUSTRIAL PRECISION CO., LIMITED
 香港星洲工業精密有限公司

REVISIONS
 Authorized Signatures(s)

MARK	DESCRIPTION	DATE	REVISED	APPROVED	UNSPECIFIED TOLERANCES
△ X					L > 63
△ X					16 < L ≤ 63
△ X					4 < L ≤ 16
△ X					L ≤ 4
					ANGULAR
					±5°

DSND	DATE	SCALE: N/A	MODEL TYPE: X9821H-XXA-XXXX
DWN	DATE <td>VIEW: </td> <td>PART NO.:</td>	VIEW:	PART NO.:
CHKD	DATE <td>UNIT: mm</td> <td>DWG NO.:</td>	UNIT: mm	DWG NO.:
APPD	DATE <td>SIZE: A4</td> <td>WEIGHT: 1.0g</td>	SIZE: A4	WEIGHT: 1.0g
			SHEET: 1/1
			REVISION: A0



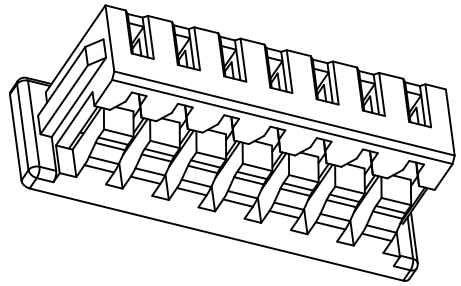
PART NO	Material	Suitable XKB Terminal
X9821H-XXA-PT	PBT UL 94V-0	Suitable XKB Terminal
X9821H-XXA-N0HF	Nylon 66 UL 94V-0 Halogen-Free	Suitable XKB Terminal
X9821H-XXA-N0	Nylon 66 UL 94V-0	Suitable XKB Terminal

Poles	Dimensions(mm)		
	A	B	C
02	1.25	4.25	2.95
03	2.50	5.50	4.20
04	3.75	6.75	5.45
05	5.00	8.00	6.70
06	6.25	9.25	7.95
07	7.50	10.50	9.20
08	8.75	11.75	10.45
09	10.00	13.00	11.70
Poles			
A			
B			
C			
Dimensions(mm)			
02	12.95	14.25	11.25
03	14.20	15.50	12.50
04	15.45	16.75	13.75
05	16.70	18.00	15.00
06	17.95	19.25	16.25
07	19.20	20.50	17.50
08	20.45	21.75	18.75
09	20.45	21.75	18.75

X9821 H X-XX A-XX HF

- ① Series No.
- ② Category: H-HSG
- ③ Welding Board Angle: Blank-ordinary
- ④ Row No./Pin No.: XX-02P~16P
- ⑤ Plug the Pin & special No.: A-No Gap
- ⑥ Material: NO-PA66 94V-0; PT-PBT UL 94V-0
- ⑦ HF-Halogen free

- Specifications :
- Voltage rating: 125V AC / DC
 - Current rating: 1A AC / DC
 - Withstanding voltage: 250V AC/minute
 - Temperature range: -25°C~+85°C
 - Insulation resistance: ≥100MΩ
 - Contact resistance: ≤20mΩ
 - After environmental testing: ≤40mΩ

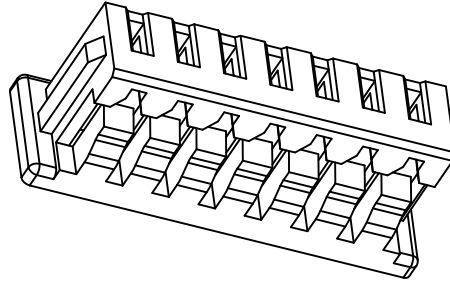
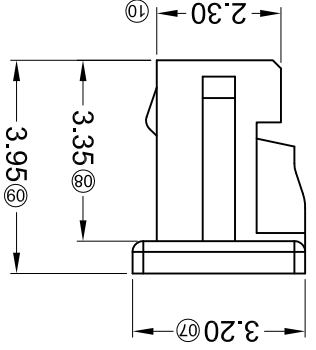
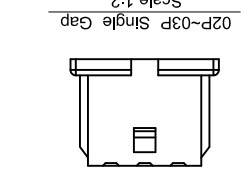
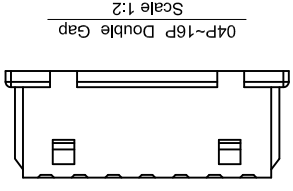
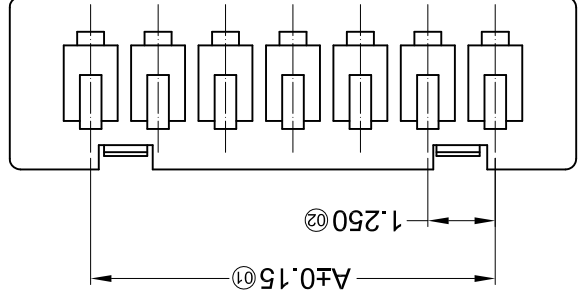
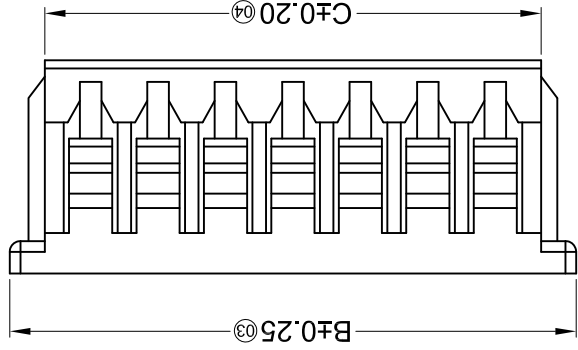
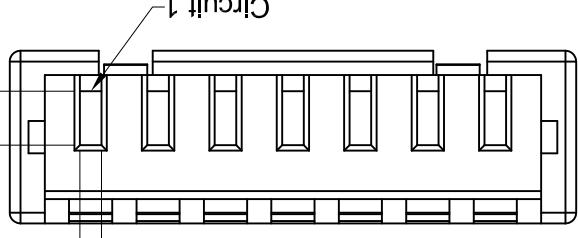


For and on behalf of
XKB INDUSTRIAL PRECISION CO., LIMITED
 香港星洲工業精密有限公司

REVISIONS
 Authorized Signature(s)

MARK	DESCRIPTION	DATE	REVISED	APPROVED	UNSPECIFIED TOLERANCES
△ X					L > 63
△ X					16 < L ≤ 63
△ X					4 < L ≤ 16
△ X					L ≤ 4
					ANGULAR
					±5°

DATE	SCALE: N/A	MODEL TYPE: X9821H-XXXX-XXXX
DNSD		
DWN		
CHKD		
APPD		
DATE		
VIEW:		
UNIT: mm		
SIZE: A4		
WEIGHT: 1.0g		
SHEET: 1/1		
REVISION: A0		



PART NO	Material	Suitable XKB Terminal
X9821H-XX-PT	PBT UL 94V-0	Suitable XKB Terminal
X9821H-XX-NOHF	Nylon 66 UL 94V-0 Halogen-Free	
X9821H-XX-N0	Nylon 66 UL 94V-0	

Poles	Dimensions(mm)		
	A	B	C
02	1.25	4.25	11.25
03	2.50	5.50	12.50
04	3.75	6.75	13.75
05	5.00	8.00	15.00
06	6.25	9.25	16.25
07	7.50	10.50	17.50
08	8.75	11.75	18.75
09	10.00	13.00	20.00

① Series No. X9821 H X-XX XX-N0 HF
 ② Category: H-HSG
 ③ Welding Board Angle: Blank-ordinary
 ④ Row No.-Pin No.: XX-02P~16P
 ⑤ Plug the Pin & special No.:
 ⑥ Material: N0-PA66 94V-0; PT-PBT UL 94V-0
 ⑦ HF-Halogen free

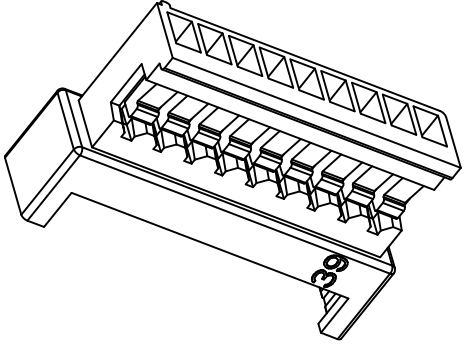
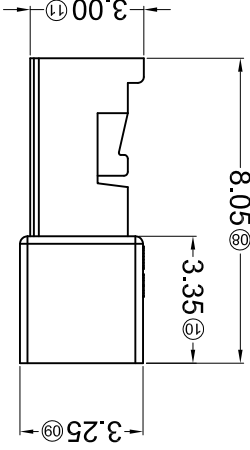
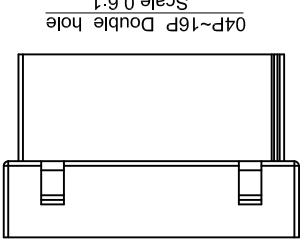
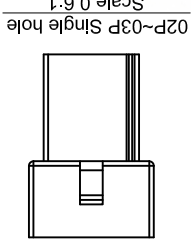
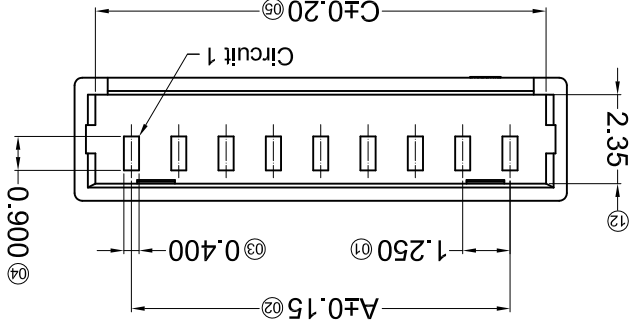
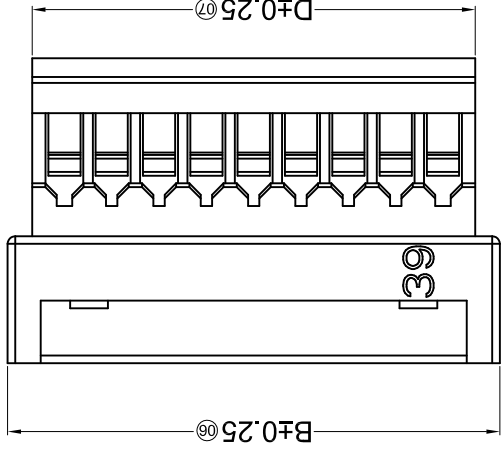
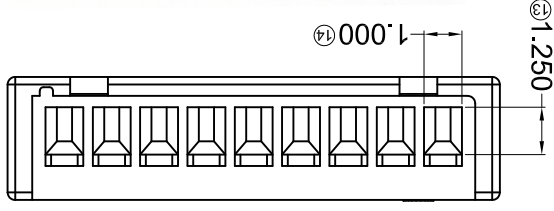
- Specifications:
- Voltage rating: 125V AC / DC
 - Current rating: 1A AC / DC
 - Withstanding voltage: 250V AC/minute
 - Temperature range: -25°C~+85°C
 - Insulation resistance: ≥100MΩ
 - Contact resistance: ≤20mΩ
 - After environmental testing: ≤40mΩ

For and on behalf of
XKB INDUSTRIAL PRECISION CO., LIMITED
 香港星坤工業精密有限公司

REVISIONS
 Authorized Signature(s)

MARK	DESCRIPTION	DATE	REVISED	APPROVED	UNSPECIFIED TOLERANCES
△ X					$L > \text{63}$
△ X					$16 < L \leq \text{63}$
△ X					$4 < L \leq 16$
△ X					$L \leq 4$
					ANGULAR $\pm 5^\circ$

REVISION	SHEET	WEIGHT	SIZE	DATE	DATE	DATE	DATE
A0	1/1	1.0g	A4				



PART NO	Material	Suitable XKB Terminal	Suitable XKB Terminal
X9821HF-XX-PT	PBT UL 94V-0	X9821TM	X9821H
X9821HF-XX-N0HF	Nylon 66 UL 94V-0 Halogen-free		
X9821HF-XX-N0	Nylon 66 UL 94V-0		

Poles	Dimensions(mm)			
	A	B	C	D
02	1.25	4.25	3.15	2.95
03	2.50	5.50	4.40	4.20
04	3.75	6.75	5.65	5.45
05	5.00	8.00	6.90	6.70
06	6.25	9.25	8.15	7.95
07	7.50	10.50	9.40	9.20
08	8.75	11.75	10.65	10.45
09	10.00	13.00	11.90	11.70
				16
				15
				14
				13
				12
				11
				10
				9
				8
				7
				6
				5
				4
				3
				2
				1

- ① Series No.
- ② Category: H-HSG
- ③ Welding Board Angle: F-Female HSG
- ④ Row No.-Pin No.: XX-02P~16P
- ⑤ Plug the Pin & special No.:
- ⑥ Material: N0-PA66 94V-0; PT-PBT UL 94V-0
- ⑦ HF-Halogen free

X9821 H F-XX X-N0 HF
 ① ② ③ ④ ⑤ ⑥ ⑦

- Voltage rating: 125V AC / DC
- Current rating: 1A AC / DC
- Withstanding voltage: 250V AC/minute
- Temperature range: -25°C~+85°C
- Insulation resistance: ≥100MΩ
- Contact resistance: ≤20mΩ
- After environmental testing: ≤40mΩ

■ Specifications :

For and on behalf of
XKB INDUSTRIAL PRECISION CO., LIMITED
 香港星坤工業精密有限公司

REVISIONS
 Authorized Signature(s)

MARK	DESCRIPTION	DATE	REVISED	APPROVED	UNSPECIFIED TOLERANCES
△ X					L > 63
△ X					16 < L ≤ 63
△ X					4 < L ≤ 16
△ X					L ≤ 4
					ANGULAR
					±5°

REVISION	SHEET	WEIGHT	DATE	DATE	DATE	DATE	DATE
A0	1/1	1.0g					

DSND	DWN	CHKD	APPD
DATE	DATE	DATE	DATE
SCALE: N/A	VIEW:	UNIT: mm	SIZE: A4
MODEL TYPE: X9821H-2*XX-N0	PART NO.:	DWG NO.:	

PART NO	Material	Suitable XKB Terminal	Suitable XKB Terminal
X9821H-2*XX-N0	Nylon 66 UL 94V-0	X9821T-A	X9821W

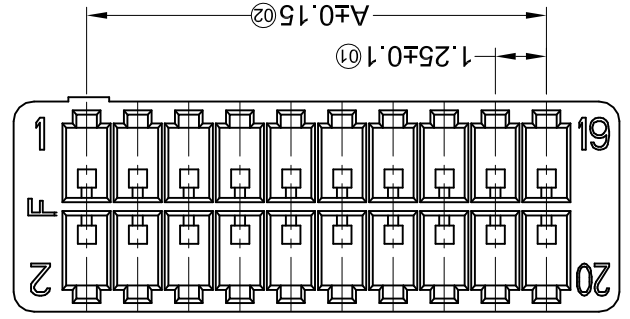
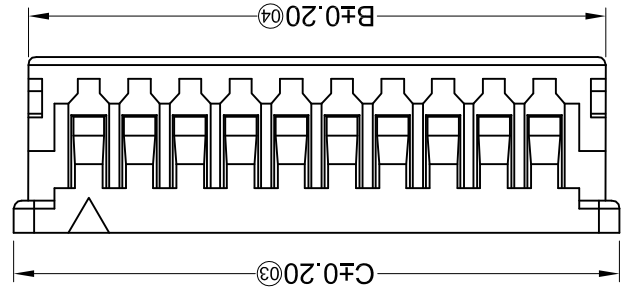
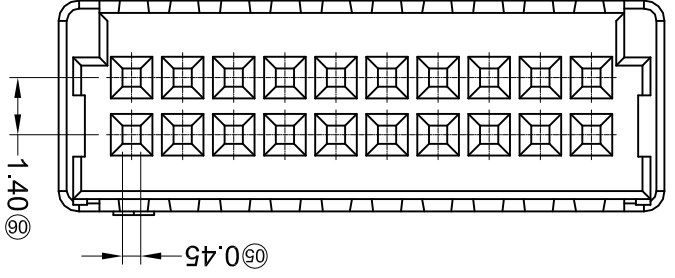
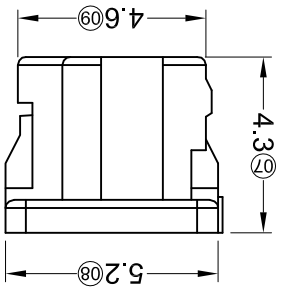
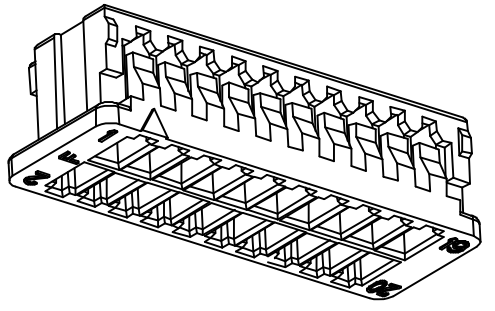
Poles	Dimensions(mm)		
	A	B	C
2*05	5.00	8.00	8.70
2*10	11.25	14.25	14.95
2*15	17.50	20.50	21.20
2*20	23.75	26.75	27.45

- ① Series No.
- ② Category: H-HSG
- ③ Welding Board Angle: Blank-ordinary
- ④ Row No.-Pin No.: 2*XX-02P~16P
- ⑤ Plug the Pin & special No.:
- ⑥ Material: NO-PA66 94V-0;
- ⑦ Color: Blank-natural color

X9821 H X-2*XX XX-N0 XX
 ① ② ③ ④ ⑤ ⑥ ⑦

- Voltage rating: 125V AC / DC
- Current rating: 1A AC / DC
- Withstanding voltage: 250V AC/minute
- Temperature range: -25°C~+85°C
- Insulation resistance: ≥100MΩ
- Contact resistance: ≤20mΩ
- After environmental testing: ≤40mΩ

■ Specifications :



X-ON Electronics

Largest Supplier of Electrical and Electronic Components

Click to view similar products for [Headers & Wire Housings](#) category:

Click to view products by [XKB](#) manufacturer:

Other Similar products are found below :

[95000-104TRLF](#) [10135584-644402LF](#) [DF62W-EP2022PCA](#) [95000-106TRLF](#) [DF62W-2022SCA](#) [DF62W-EP2022PC](#) [2203348](#) [DF62W-2022SC](#) [1084018](#) [1029039](#) [1084017](#) [802-10-012-10-002000](#) [1112640](#) [1112639](#) [891-007-9SS-BST1T](#) [000-34000](#) [0008550134](#) [0009482033](#) [0009507031](#) [57102-F02-18ULF](#) [57102-S06-03LF](#) [57202-S52-04LF](#) [PCN6-15S-2.5E](#) [0039019024](#) [58102-G61-06LF](#) [582553-1](#) [0009485154](#) [0009508121](#) [0022285053](#) [0050291907](#) [018731A](#) [LY20-4P-DT1-P1E-BR](#) [02.125.8002.8](#) [60101931](#) [60598-1 \(Cut Strip\)](#) [M1625-3R/100](#) [61062-3](#) [61082-181009](#) [CSU011177004](#) [636-1427](#) [638009-1](#) [641938-9](#) [641991-4](#) [644168-1](#) [644827-2](#) [647662-1](#) [65039-019ELF](#) [65692-001LF](#) [65781-018](#) [65781-047](#)