

For and on behalf of
KXB INDUSTRIAL PRECISION CO., LIMITED
 香港星坤工業精密有限公司

REVISIONS
 Authorized Signature(s)

MARK	DESCRIPTION	DATE	REVISED	APPROVED	UNSPECIFIED TOLERANCES
△ X					$L > 63$ ± 0.5
△ X					$16 < L \leq 63$ ± 0.4
△ X					$4 < L \leq 16$ ± 0.3
△ X					$L \leq 4$ ± 0.2
					ANGULAR $\pm 5^\circ$

REVISION	SHEET	WEIGHT	1/1	1.0g	8
AO					

DATE	SCALE: N/A	MODEL TYPE: X2011WV-XXAXX-XXXX	REVISION	DATE	SCALE: N/A	MODEL TYPE: X2011WV-XXAXX-XXXX

DATE	VIEW:	UNIT: mm	SIZE: A4

DATE	SCALE: N/A	MODEL TYPE: X2011WV-XXAXX-XXXX	REVISION	DATE	SCALE: N/A	MODEL TYPE: X2011WV-XXAXX-XXXX

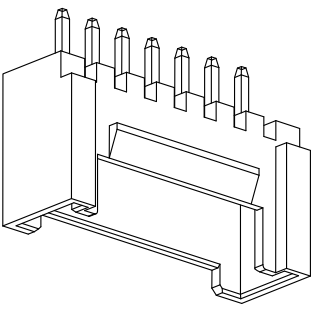
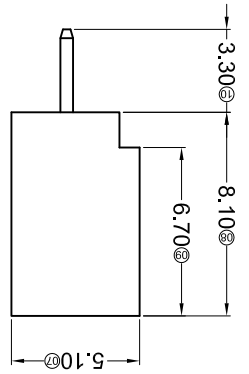
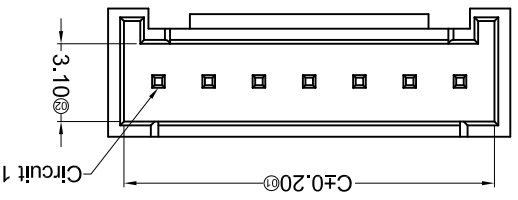
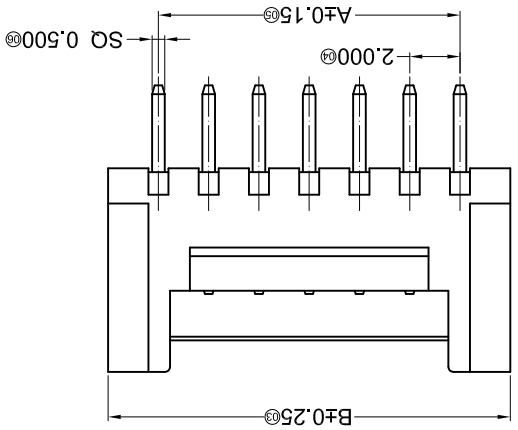
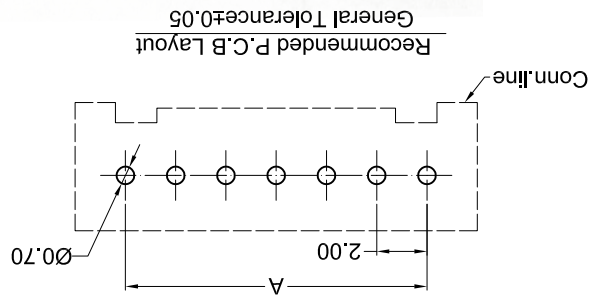
Part No	Material	Material(Fin)	Finish(Fin)	Suitable XKB Terminal
X2011WV-XXA-LPSW	LCP 94V-0	Brass	Tin-Plated	X2011H
X2011WV-XXAHF-N0SN	PA 66 UL 94V-0 Halogen Free	Brass	Tin-Plated	
X2011WV-XXA-N0SN	PA 66 UL 94V-0	Brass	Tin-Plated	

Poles	Dimensions (mm)			A	B	C
	A	B	C			
02	2.00	6.00	4.75	10	18.00	22.00
03	4.00	8.00	6.75	11	20.00	24.00
04	6.00	10.00	8.75	12	22.00	26.00
05	8.00	12.00	10.75	13	24.00	28.00
06	10.00	14.00	12.75	14	26.00	30.00
07	12.00	16.00	14.75	15	28.00	32.00
08	14.00	18.00	16.75	16	30.00	34.00
09	16.00	20.00	18.75			32.75

- ① Series No.
- ② Category: W-WAFER
- ③ Welding Board Angle: V-Straight 180°
- ④ Welding Way: Blank-DIP
- ⑤ Row No.-Pin No.: XX-02P~16P
- ⑥ Plug the Pin & Special No.: A-Without Baffle
- ⑦ HF-Halogen Free
- ⑧ Material: N0 -PA66 UL 94V-0; LCP 94V-0
- ⑨ Plating Category: SN-Bright Tin Plating; SW-Matte Tin Plating
- ⑩ Color: Blank-Natural Color

X2011 W V X-XX A HF-XX XX XX

- Specifications :
- Voltage rating: 250V AC / DC
 - Current rating: 3A AC / DC
 - Withstanding voltage: 1000V AC/minute
 - Temperature range: -25°C~+85°C
 - Insulation resistance: $\geq 1000M\Omega$
 - Contact resistance: $\leq 30m\Omega$
 - After environmental testing: $\leq 40m\Omega$



For and on behalf of
XKB INDUSTRIAL PRECISION CO., LIMITED
 香港星坤工業精密有限公司

REVISIONS
 (Authorized Signature(s))

MARK	DESCRIPTION	DATE	REVISED	APPROVED	UNSPECIFIED TOLERANCES
△ X					L > 63 ± 0.5
△ X					16 < L ≤ 63 ± 0.4
△ X					4 < L ≤ 16 ± 0.3
△ X					L ≤ 4 ± 0.2
					ANGULAR ± 5°

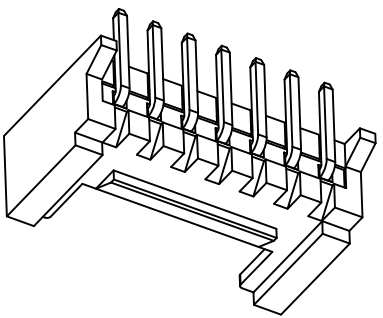
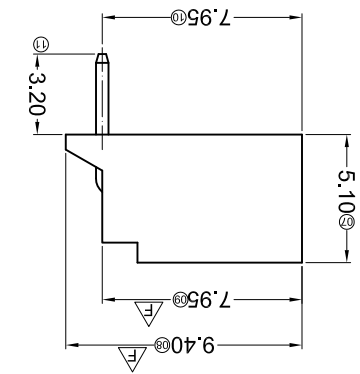
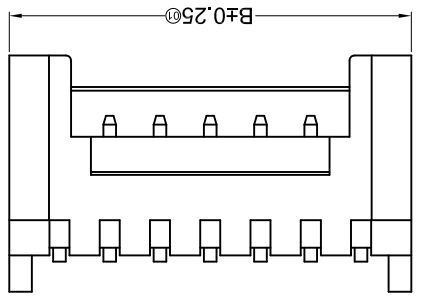
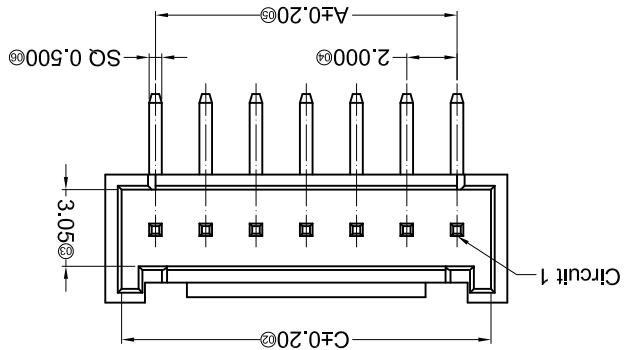
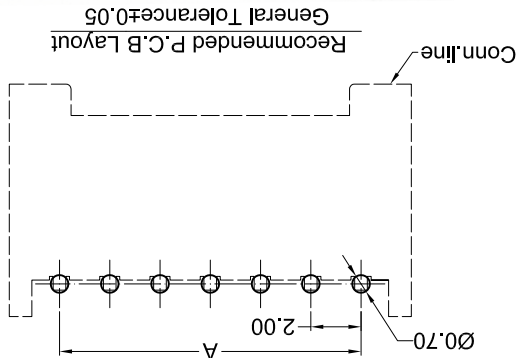
REVISION	SHEET	WEIGHT	SIZE: A4
A0	1/1	1.0g	

DSND	DATE	SCALE: N/A	MODEL TYPE: X2011WR-XXA-N0SN

DWN	DATE	VIEW:	PART NO.:
		VIEW:	

CHKD	DATE	UNIT: mm	DWG NO.:
			2.00mm Crimp Style Connector

APPD	DATE		

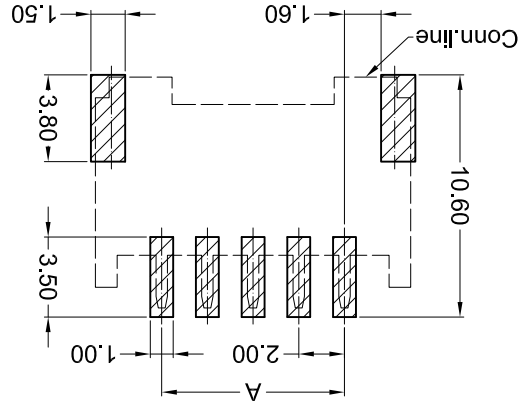
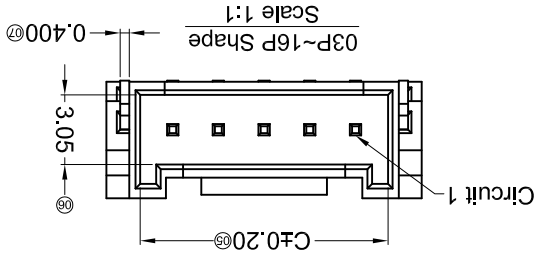
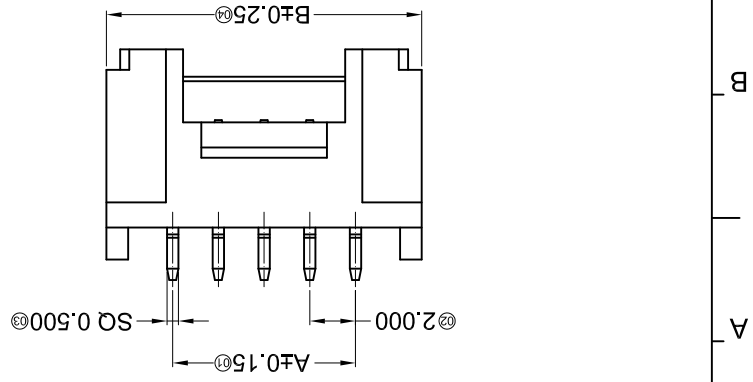


PART NO	Material	Material(Fin)	Finish(Fin)	Suitable XKB Terminal
X2011WR-XXA-N0SN	PA 66 UL 94V-0	Brass	Tin-Plated	X2011H
X2011WR-XXAHF-N0SN	Halogen Free PA 66 UL 94V-0			

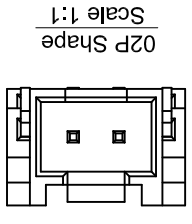
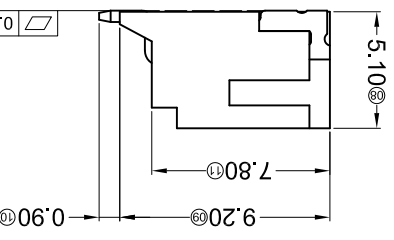
Poles	Dimensions (mm)			Poles	Dimensions (mm)		
	A	B	C		A	B	C
02	2.00	6.00	4.70	10	18.00	22.00	20.70
03	4.00	8.00	6.70	11	20.00	24.00	22.70
04	6.00	10.00	8.70	12	22.00	26.00	24.70
05	8.00	12.00	10.70	13	24.00	28.00	26.70
06	10.00	14.00	12.70	14	26.00	30.00	28.70
07	12.00	16.00	14.70	15	28.00	32.00	30.70
08	14.00	18.00	16.70	16	30.00	34.00	32.70
09	16.00	20.00	18.70				

- ① Series No. X2011 W R X-XX A HF-N0 SN XX
 ② Category: W-WAFER
 ③ Welding Board Angle: R-Right Angle 90°
 ④ Welding Way: Blank-DIP
 ⑤ Row No.-Pin No.: XX-02P~16P
 ⑥ Plug the Pin & Special No.: A-With Link Stopper DIP-3.20mm
 ⑦ HF-Halogen Free
 ⑧ Material: NO -PA66 UL 94V-0
 ⑨ Plating Category: SN-Bright Tin Plating
 ⑩ Color: Blank-Natural Color

- Specifications:
- Voltage rating: 250V AC / DC
 - Current rating: 3A AC / DC
 - Withstanding voltage: 1000V AC/minute
 - Temperature range: -25°C~+85°C
 - Insulation resistance: ≥1000MΩ
 - Contact resistance: ≤30mΩ
 - After environmental testing: ≤40mΩ



For and on behalf of
XKB INDUSTRIAL PRECISION CO., LIMITED
 香港星坤工業精密有限公司



MARK	DESCRIPTION	DATE	REVISED	APPROVED	UNSPECIFIED TOLERANCES
△X					L > 63
△X					16 > L ≤ 63
△X					4 < L ≤ 16
△X					L ≤ 4
					ANGULAR
					±5°

- Specifications :
- Voltage rating: 250V AC / DC
 - Current rating: 3A AC / DC
 - Withstanding voltage: 1000V AC/minute
 - Temperature range: -25°C~+85°C
 - Insulation resistance: ≥1000MΩ
 - Contact resistance: ≤30mΩ
 - After environmental testing: ≤40mΩ

X2011 W R S-XX A - LP SN XX

- Series No.
- Category: W-WAFER
- Welding Board Angle: R-Right Angle 90°
- Welding Way: S-SMT
- Row No.-Pin No.: XX-02P~16P
- Plug the Pin & Special No.: A-With Located Block
- Material: LP-LCP UL 94V-0
- Plating Category: SN-Bright Tin Plating
- Color: Blank-Natural Color

Poles	Dimensions (mm)		
	A	B	C
02	2.00	7.80	4.85
03	4.00	9.80	6.85
04	6.00	11.80	8.85
05	8.00	13.80	10.85
06	10.00	15.80	12.85
07	12.00	17.80	14.85
08	14.00	19.80	16.85
09	16.00	21.80	18.85

PART NO	Material	Material(Fin)	Material (Solder Tab)	Finish(Pin and Solder Tab)	Suitable XKB Terminal
X2011WRS-XXA-LPSN	LCP UL 94V-0	Brass	Phosphor Bronze	Tin-Plated	X2011H-A

DSND	DATE	SCALE: N/A	MODEL TYPE: X2011WRS-XXA-LPSN
CHKD	DATE <td>UNIT: mm</td> <td>DWG NO.: 2.00mm Crimp Style Connector</td>	UNIT: mm	DWG NO.: 2.00mm Crimp Style Connector
APPD	DATE <td>SIZE: A4</td> <td></td>	SIZE: A4	

REVISION	SHEET	WEIGHT
A0	1/1	1.0g

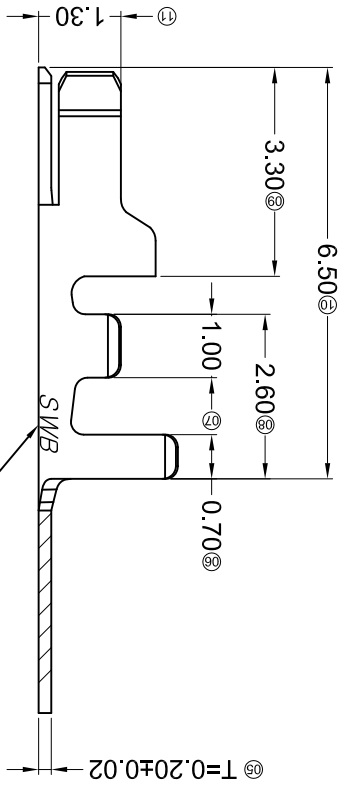
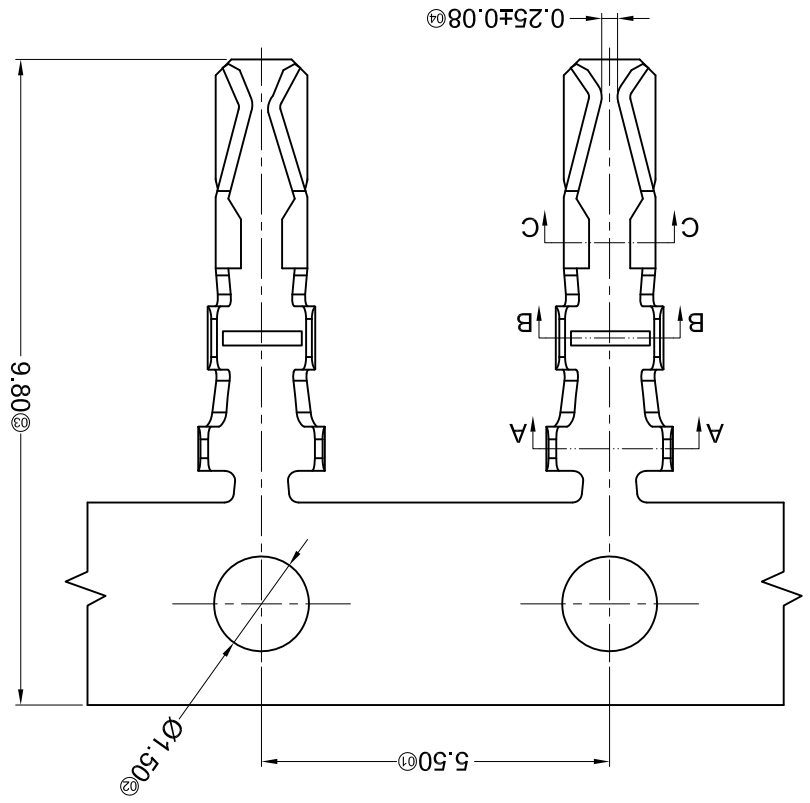
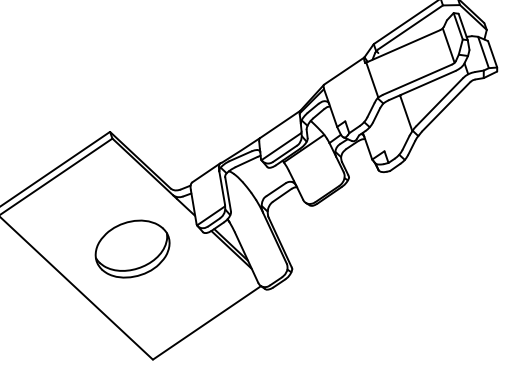
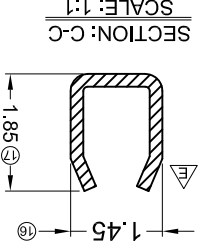
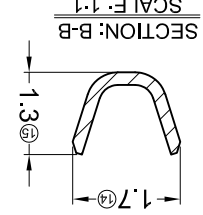
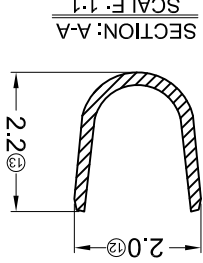
For and on behalf of
XKB INDUSTRIAL PRECISION CO., LIMITED
 香港星坤工業精密有限公司

Authorized Signature(s)

MARK	DESCRIPTION	DATE	REVISD	APPROVED	UNSPECIFIED TOLERANCES
△ X					L > 63 ± 0.5
△ X					16 > L ≤ 63 ± 0.4
△ X					4 < L ≤ 16 ± 0.3
△ X					L ≤ 4 ± 0.2
					ANGULAR ± 5°

REVISION	SHEET	WEIGHT	SIZE: A4	DATE	DATE	DATE	DATE	DATE
AO	1/1	1.0g						
2.00mm Crimp Style Connectors			UNIT: mm	DATE	DATE	DATE	DATE	DATE
PART NO.:			VIEW:	DATE	DATE	DATE	DATE	DATE
MODEL TYPE: 2011T-PSN-A			SCALE: N/A	DATE	DATE	DATE	DATE	DATE

PART NO	Material	Wire Range	Insulation O.D.	Finish	Suitable XKB Terminal
X2011T-PSN-A	Phosphor Bronze	AWG#22-30	1.45mm(Max)	Stamping Before Plating: 30u" MIN. 70u" MIN. Sn	X2011H-A



- ① Series Number
 ② Category: T-terminal
 ③ Shape: Blank-ordinary
 ④ Material: P-Phosphor bronze
 ⑤ Plating style: SN-Bright tin plating
 ⑥ Plating method: Blank-Stamping before plating
 ⑦ Mold No./Mark/Special No.: A-Mating 2011-A HSG

X2011 T-X-P-SN X-A

- Specifications:
- Voltage rating: 250V AC / DC
 - Current rating: 3A AC / DC
 - Withstanding voltage: 1000V AC/minute
 - Temperature range: -25°C~+85°C
 - Insulation resistance: ≥1000MΩ
 - Contact resistance: ≤30mΩ
 - After environmental testing: ≤40mΩ

For and on behalf of
KKB INDUSTRIAL PRECISION CO., LIMITED
 香港星坤工業精密有限公司

REVISIONS
 Authorized Signature(s)

MARK	DESCRIPTION	DATE	REVISED	APPROVED	UNSPECIFIED TOLERANCES
△ X					L > 63
△ X					16 > L ≤ 63
△ X					4 < L ≤ 16
△ X					L ≤ 4
					ANGULAR
					± 5°

REVISION	SHEET	WEIGHT	DATE	DATE	DATE	DATE	DATE
A0	1/1	1.0g					

DSND	DWN	CHKD	APPD
DATE	DATE	DATE	DATE
SCALE: N/A	VIEW:	UNIT: mm	SIZE: A4
MODEL TYPE: X2011H-XXA-N0	PART NO.:	DWG NO.:	

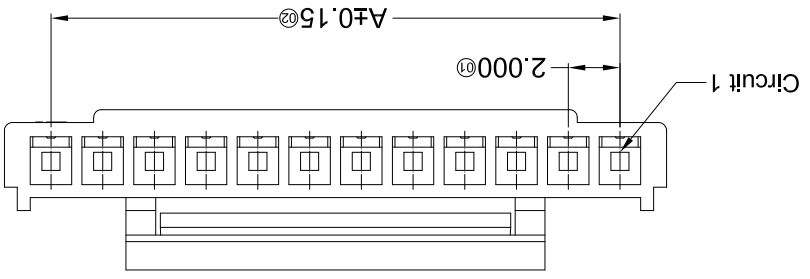
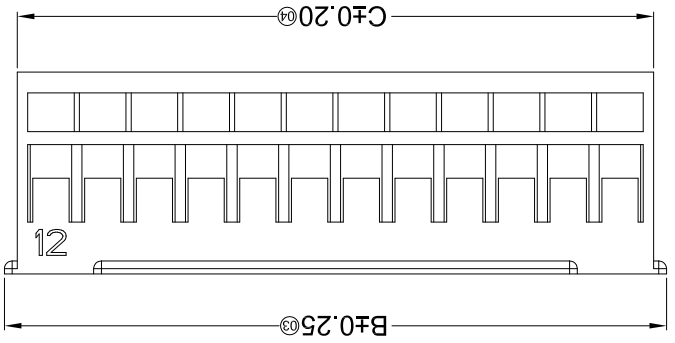
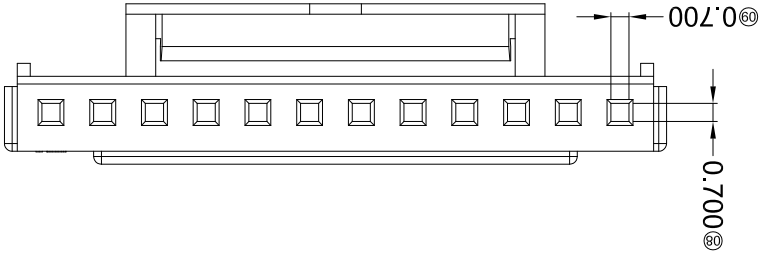
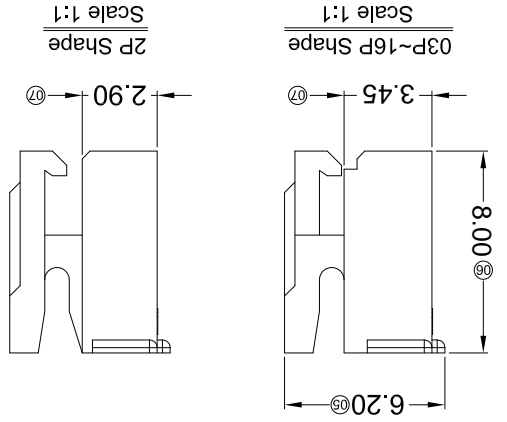
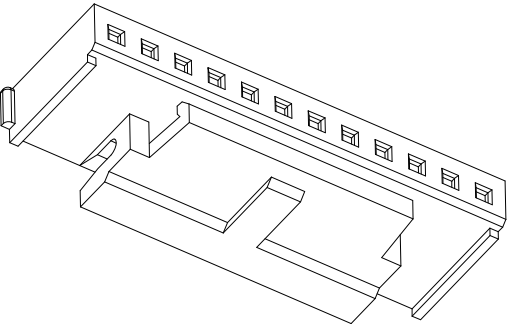
PART NO	Material	Suitable XKB Terminal	Suitable XKB Terminal
X2011H-XXA-N0	PA 66 UL 94V-0	X2011T-A	X2011W-A
X2011H-XXA-N0BK	Black		

Poles	Dimensions (mm)		
	A	B	C
02	2.00	5.60	4.60
03	4.00	7.60	6.60
04	6.00	9.60	8.60
05	8.00	11.60	10.60
06	10.00	13.60	12.60
07	12.00	15.60	14.60
08	14.00	17.60	16.60
09	16.00	19.60	18.60
Poles			
	A	B	C
	20.60	21.60	20.60
	22.60	23.60	22.60
	24.60	25.60	24.60
	26.60	27.60	26.60
	28.60	29.60	28.60
	30.60	31.60	30.60
	32.60	33.60	32.60

- ① Series No.
- ② Category: H-HSG
- ③ Appearance type: Blank-Ordinary
- ④ Row No.-Pin No.: XX-02P~16P
- ⑤ Plug the Pin & Special No.: A-With Lock
- ⑥ Material: N0-PA66 UL 94V-0
- ⑦ Color: Blank-Natural Color
- ⑧ BK-Black
- ⑨ Whether containing halogen: HF-Halogen free
- ⑩ Blank-Containing halogen

X2011 H X-XX A-N0 XX XX

- Specifications :
- Voltage rating: 250V AC / DC
 - Current rating: 3A AC / DC
 - Withstanding voltage: 1000V AC/minute
 - Temperature range: -25°C~+85°C
 - Insulation resistance: ≥1000MΩ
 - Contact resistance: ≤30mΩ
 - After environmental testing: ≤40mΩ



X-ON Electronics

Largest Supplier of Electrical and Electronic Components

Click to view similar products for [Headers & Wire Housings](#) category:

Click to view products by [XKB](#) manufacturer:

Other Similar products are found below :

[95000-104TRLF](#) [10135584-644402LF](#) [DF62W-EP2022PCA](#) [95000-106TRLF](#) [DF62W-2022SCA](#) [DF62W-EP2022PC](#) [2203348](#) [DF62W-2022SC](#) [1084018](#) [1029039](#) [1084017](#) [802-10-012-10-002000](#) [1112640](#) [1112639](#) [891-007-9SS-BST1T](#) [000-34000](#) [0008550134](#) [0009482033](#) [0009507031](#) [57102-F02-18ULF](#) [57102-S06-03LF](#) [57202-S52-04LF](#) [PCN6-15S-2.5E](#) [0039019024](#) [58102-G61-06LF](#) [582553-1](#) [0009485154](#) [0009508121](#) [0022285053](#) [0050291907](#) [018731A](#) [LY20-4P-DT1-P1E-BR](#) [02.125.8002.8](#) [60101931](#) [60598-1 \(Cut Strip\)](#) [M1625-3R/100](#) [61062-3](#) [61082-181009](#) [CSU011177004](#) [636-1427](#) [638009-1](#) [641938-9](#) [641991-4](#) [644168-1](#) [644827-2](#) [647662-1](#) [65039-019ELF](#) [65692-001LF](#) [65781-018](#) [65781-047](#)