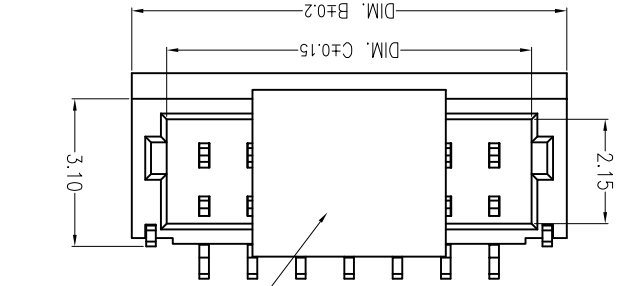
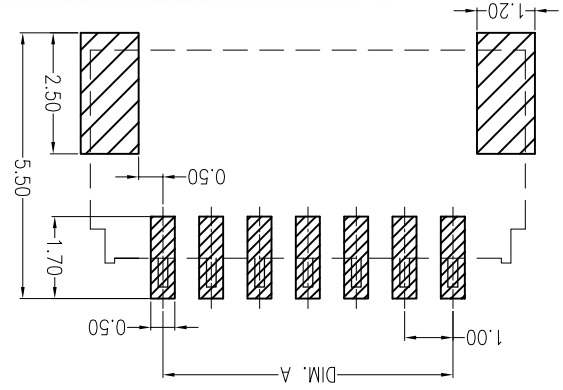


Recommend PCB Layout  
for and on behalf of  
XKB INDUSTRIAL PRECISION CO., LIMITED  
香港星坤工業精密有限公司

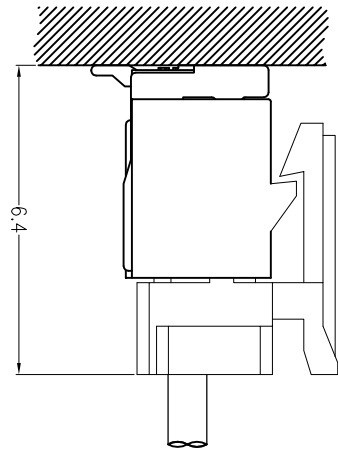
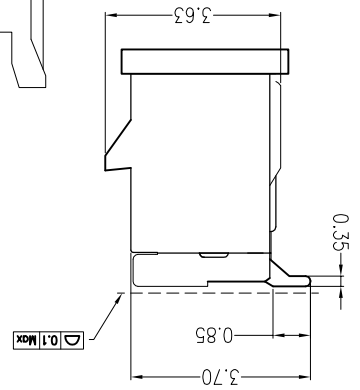
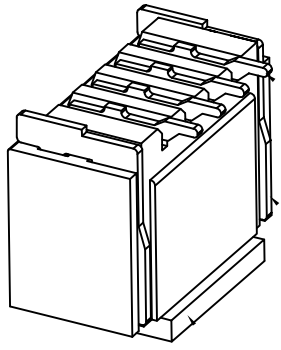
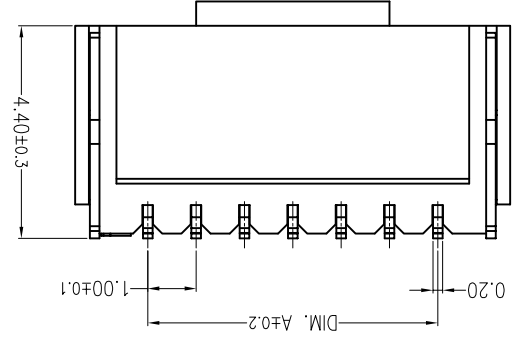
REVISIONS  
(Authorized Signatures)

MARK	DESCRIPTION	DATE	REVISED	APPROVED	UNSPECIFIED TOLERANCES
△ X					$\pm 0.5$
△ X					$16 < L \leq 63$
△ X					$4 < L \leq 16$
					$L \leq 4$
					ANGULAR $\pm 5^\circ$

DSND	DATE	SCALE: N/A	MODEL TYPE: X1002WVS-XXL-HF-LPSN
APPD	DATE <td>SIZE: A4</td> <td></td>	SIZE: A4	
CHKD	DATE	UNIT: mm	DWG NO.:
DWN	DATE	VIEW:	PART NO.:
			1.00mm Crimp Style Connectors
			WEIGHT 1.0g
			SHEET 1/1
			REVISION A0



吸盘装于产品中心



PART NO	Material	Solder (Pin And Solder Tabs)	Finish (Pin And Solder Tabs)	Suitable XKB Terminal
X1002WVS-XXL-HF-LPSN	Nylon 46 UL 94V-0	Brass	Tin-Plated	X1002H-L

Poles	Dimensions(mm)		Poles	Dimensions(mm)	
	A	B		C	B
02	1.00	4.00	10	9.00	12.00
03	2.00	5.00	11	10.00	13.00
04	3.00	6.00	12	11.00	14.00
05	4.00	7.00	13	12.00	15.00
06	5.00	8.00	14	13.00	16.00
07	6.00	9.00	15	14.00	17.00
08	7.00	10.00	16	15.00	18.00
09	8.00	11.00	20	19.00	22.00
					20.50

■ Specifications :

- Voltage rating: 50V AC / DC
- Current rating: 1A AC / DC
- Withstanding voltage: 500V AC/minute
- Temperature range: -25°C~+85°C
- Insulation resistance: ≥100MΩ
- Contact resistance: ≤20mΩ
- After environmental testing: ≤40mΩ

X1002 W V S-XX L-P SN XX  
① ② ③ ④ ⑤ ⑥ ⑦ ⑧ ⑨

- ① Series No.
- ② Category: W-water
- ③ Welding Board Angle: V-180°
- ④ Welding Way: S-SMT
- ⑤ Row No.-Pin No.: XX-Single row
- ⑥ Plug the Pin & Special NO.: L-With Lock
- ⑦ Material: LP-LCP 94V-0
- ⑧ Planting Category: SN-Bright tin plating
- ⑨ Color: Blank-natural color

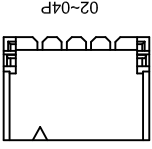
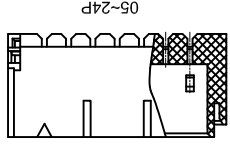
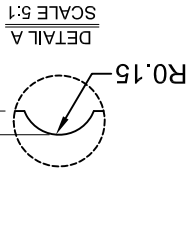
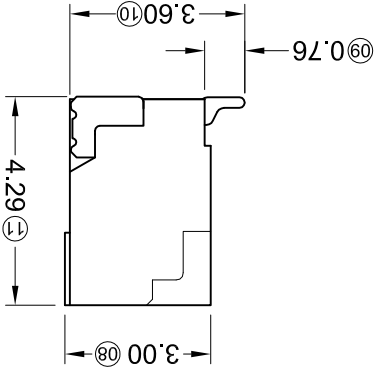
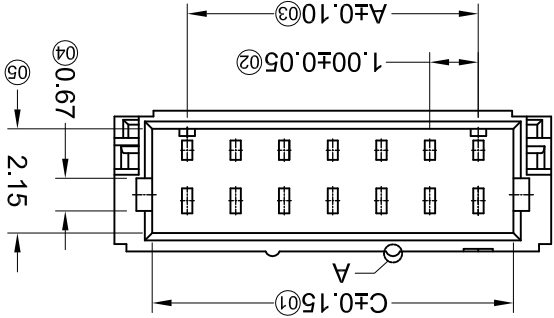
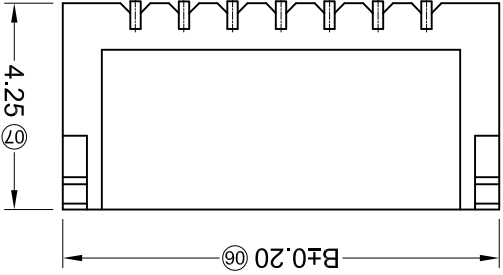
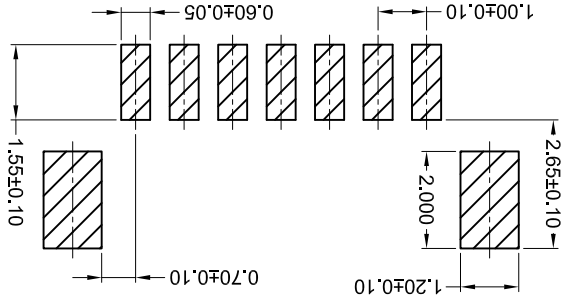


For and on behalf of  
XKB INDUSTRIAL PRECISION CO., LIMITED  
香港星坤工業精密有限公司

REVISIONS  
(Authorized Signatures)

MARK	DESCRIPTION	DATE	REVISED	APPROVED	UNSPECIFIED TOLERANCES
△ X					L > 63 ± 0.5
△ X					16 < L ≤ 63 ± 0.4
△ X					4 < L ≤ 16 ± 0.3
△ X					L ≤ 4 ± 0.2
					ANGULAR ± 5°

### Recommend PCB Layout



PART NO	Material(Water And Cap)	Material(Fin And Solder Tabs)	Finish(Fin And Solder Tabs)	Suitable XKB Terminal
X1002WVS-XXHF-LPSN	LCP UL 94V-0 Halogen Free	Phosphor Bronze Or Brass	Tin-Plated	X1002H
X1002WVS-XX-6TSN	Nylon 6T UL 94V-0	Phosphor Bronze Or Brass	Tin-Plated	

Poles	Dimensions(mm)		
	A	B	C
02	1.00	4.00	2.45
03	2.00	5.00	3.45
04	3.00	6.00	4.45
05	4.00	7.00	5.45
06	5.00	8.00	6.45
07	6.00	9.00	7.45
08	7.00	10.00	8.45
09	8.00	11.00	9.45
10	9.00	12.00	10.45
11	10.00	13.00	11.45
Poles			
A			
B			
C			
Dimensions(mm)			
02	1.00	14.00	12.45
03	2.00	15.00	13.45
04	3.00	16.00	14.45
05	4.00	17.00	15.45
06	5.00	18.00	16.45
07	6.00	19.00	17.45
08	7.00	20.00	18.45
09	8.00	21.00	19.45
10	9.00	22.00	20.45
11	10.00	23.00	21.45
Poles			
A			
B			
C			
Dimensions(mm)			
02	11.00	24.00	24.45
03	12.00	25.00	25.45
04	13.00	26.00	26.45
05	14.00	27.00	27.45
06	15.00	28.00	28.45
07	16.00	29.00	29.45
08	17.00	30.00	30.45
09	18.00	31.00	31.45
10	19.00	32.00	32.45
11	20.00	33.00	33.45

X1002 W V S-XX X-XX XXX XX

① Series No.

② Category: W-water

③ Welding Board Angle: V- Straight 180°

④ Welding Way: S-SMT

⑤ Row No./Pin No.: XX-02P~24P

⑥ Plug the Pin & Special No.

⑦ Material: 6T-PA6T 94V-0 ; LP-LCP 94V-0;

9T-PA9T 94V-0

⑧ Plating Category: SN-Bright tin plating

⑨ Color: Blank-Natural Color

### Specifications :

- Voltage rating: 100V AC / DC
- Current rating: 2A AC / DC
- Withstanding voltage: 800V AC/minute
- Temperature range: -25°C~+85°C
- Insulation resistance: ≥1000MΩ
- Contact resistance: ≤20mΩ
- After environmental testing: ≤30mΩ

DATE

VIEW:

DATE

DATE

DATE

SCALE: N/A

MODEL TYPE: X1002WVS-XX-XXSN

PART NO.:

DWG NO.:

SIZE: A4

WEIGHT 1.0g

SHEET 1/1

REVISION A0

DATE

VIEW:

DATE

DATE

DATE

SCALE: N/A

MODEL TYPE: X1002WVS-XX-XXSN

PART NO.:

DWG NO.:

SIZE: A4

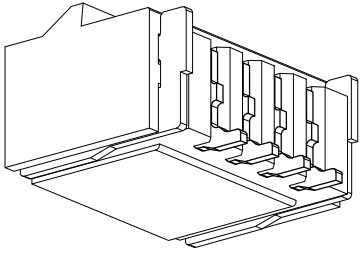
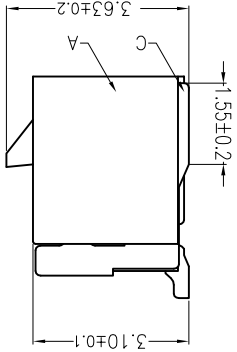
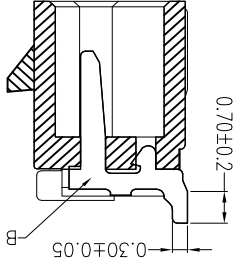
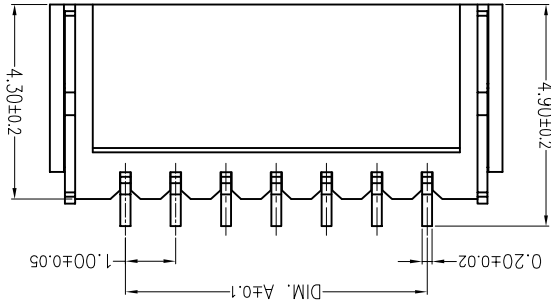
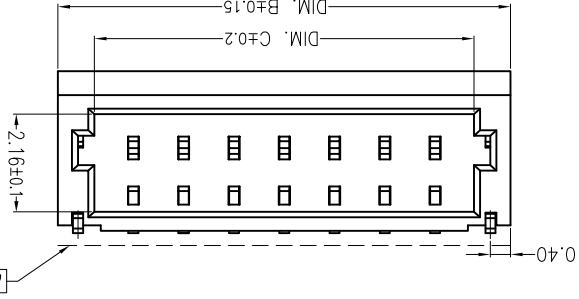
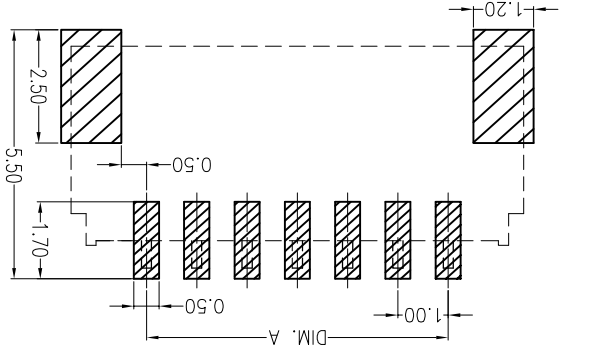
WEIGHT 1.0g

SHEET 1/1

REVISION A0

*For and on behalf of*  
**KXB INDUSTRIAL PRECISION CO., LIMITED**  
 香港星坤工業精密有限公司

Recommend PCB Layout



PART NO	Material	Solder Tab(s)	Material(Pin And Solder Tabs)	Finish(Pin And Solder Tabs)	Suitable XKB Terminal
X1002WRS-XXL-HF-LPSN	PA46 UL 94V-0	Brass		Bright tin plating	X 1002H-L

Poles	Dimensions(mm)		Poles	Dimensions(mm)	
	A	B		A	B
02	1.00	4.00	10	9.00	12.00
03	2.00	5.00	11	10.00	13.00
04	3.00	6.00	12	11.00	14.00
05	4.00	7.00	13	12.00	15.00
06	5.00	8.00	14	13.00	16.00
07	6.00	9.00	15	14.00	17.00
08	7.00	10.00	16	15.00	18.00
09	8.00	11.00	20	19.00	22.00
					20.50

X1002 W R S-XX L-LPXX XX

① Series No.

② Category: W-water

③ Welding Board Angle: R-90°

④ Welding Way: S-SMT

⑤ Row No.-Pin No.: XX-02P~20P

⑥ Plug the Pin & Special No.: L-With Lock

⑦ Material: 6T-PA6T 94V-0; LP-LCP 94V-0;

⑧ 9T-PA9T 94V-0

⑨ Planting Category: SN-Bright Tin plating

⑩ Color: Blank-natural color

■ Specifications :

- Voltage rating: 50V AC / DC
- Current rating: 1A AC / DC
- Withstanding voltage: 500V AC/minute
- Temperature range: -25°C~+85°C
- Insulation resistance: ≥100MΩ
- Contact resistance: ≤20mΩ
- After environmental testing: ≤40mΩ

REVISIONS (Authorized Signatures)

MARK	DESCRIPTION	DATE	REVISED	APPROVED	UNSPECIFIED TOLERANCES
△ X					L > 63
△ X					16 < L ≤ 63
△ X					4 < L ≤ 16
△ X					L ≤ 4
					ANGULAR

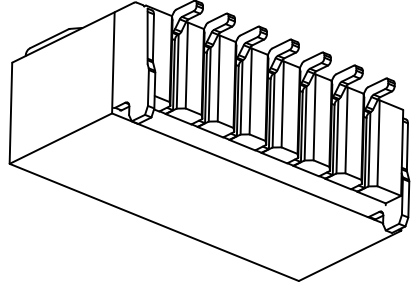
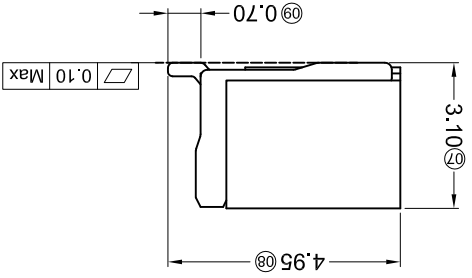
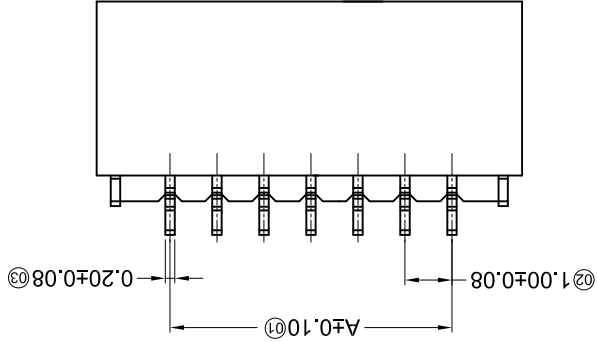
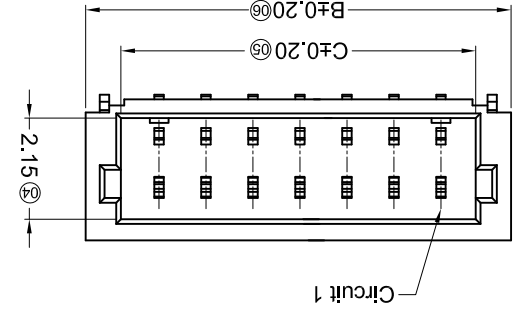
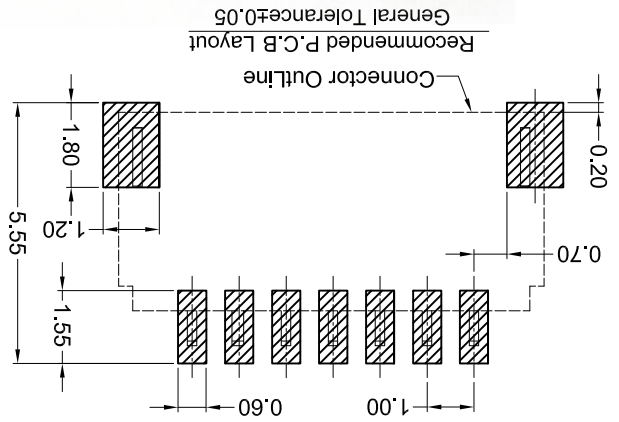
DSND	DATE	SCALE: N/A	MODEL TYPE: X1002WRS-XXL-HF-LPSN
DWN	DATE	VIEW:	PART NO.:
CHKD	DATE	UNIT: mm	DWG NO.:
APPD	DATE	SIZE: A4	
<b>KXB INDUSTRIAL PRECISION CO., LIMITED</b>			
WEIGHT	1.0g	SHEET	1/1
REVISION			AO

For and on behalf of  
**XKB INDUSTRIAL PRECISION CO., LIMITED**  
 香港星坤工業精密有限公司

MARK	DESCRIPTION	DATE	REVISD	APPROVED	UNSPCIFIED TOLERANCES
△ X					$\pm 0.5$
△ X					$16 < L \leq 63$
△ X					$4 < L \leq 16$
					$L \leq 4$
					$\pm 0.2$
					ANGULAR
					$\pm 5^\circ$

REVISION	SHEET	WEIGHT	SIZE: A4
A0	1/1	1.0g	

**XKB INDUSTRIAL PRECISION CO., LIMITED**



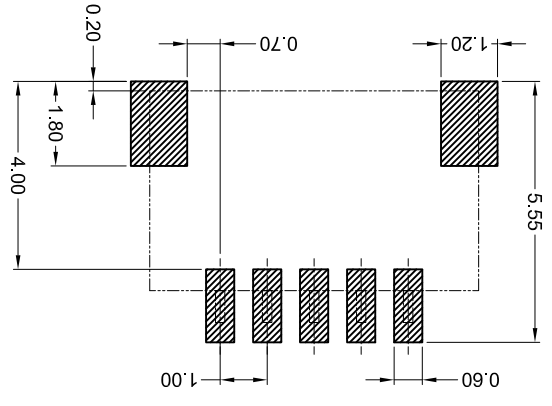
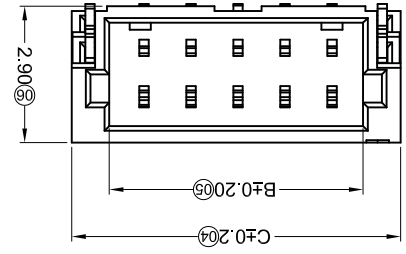
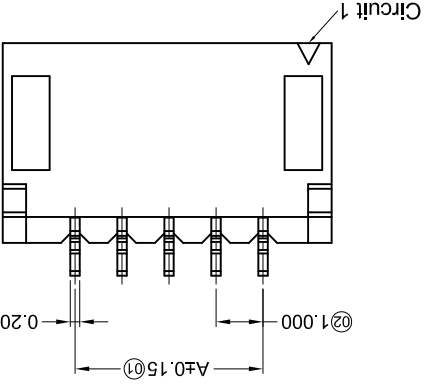
Poles	Dimensions(mm)		
	A	B	C
02	1.00	4.00	2.50
03	2.00	5.00	3.50
04	3.00	6.00	4.50
05	4.00	7.00	5.50
06	5.00	8.00	6.50
07	6.00	9.00	7.50
08	7.00	10.00	8.50
09	8.00	11.00	9.50

PART NO	Material	Material (Plating)	Material (Solder Tabs)	Finish (Pin and Solder Tabs)	Suitable XKB Terminal
X1002WRS-XXE-LPVS	LCP UL 94V-0	Bronze	Brass	Gold Flash	
X1002WRS-XXE-LPV01	LCP UL 94V-0	Phosphor	Brass	Matte Tin	

X1002 W R S-XX E-LP XX XX

- ① Series No.
- ② Category: W-wafer
- ③ Welding Board Angle: R-90°
- ④ Welding Way: S-SMT
- ⑤ Row No.-Pin No.: XX-02P~20P
- ⑥ Plug the Pin & Special No.: E-Ear clip
- ⑦ Material: LP-LCP 94V-0
- ⑧ Plating Category: SW-Fog Tin plating
- ⑨ Color: Blank-natural color

- Specifications :**
- Voltage rating: 50V AC / DC
  - Current rating: 1A AC / DC
  - Withstanding voltage: 500V AC/minute
  - Temperature range: -25°C~+85°C
  - Insulation resistance: ≥100MΩ
  - Contact resistance: ≤20mΩ
  - After environmental testing: ≤40mΩ

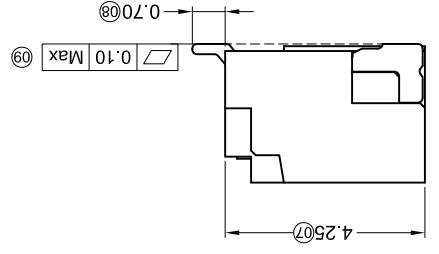


Recommended P.C.B Layout  
General Tolerance±0.05

For and on behalf of  
**XKB INDUSTRIAL PRECISION CO., LIMITED**  
香港星洲工業精密有限公司

REVISIONS  
*Authorized Signatures*

MARK	DESCRIPTION	DATE	REVISD	APPROVED	UNSPCIFIED TOLERANCES
△ X					L > 63
△ X					16 < L ≤ 63
△ X					4 < L ≤ 16
△ X					L ≤ 4
					ANGULAR
					±5°



PART NO	Material	Solder (Pin and Solder Tabs)	Finish (Pin and Solder Tabs)	Suitable XKB Terminal
X1002WRS-XX-LPSN	LCP UL 94V-0	Phosphor Bronze	Tin-Plated	X-1002H

Poles	Dimensions(mm)		
	A	B	C
02	1.00	2.40	4.00
03	2.00	3.40	5.00
04	3.00	4.40	6.00
05	4.00	5.40	7.00
06	5.00	6.40	8.00
07	6.00	7.40	9.00
08	7.00	8.40	10.00
09	8.00	9.40	11.00
10	9.00	10.40	12.00
11	10.00	11.40	13.00
Poles			
Dimensions(mm)			
A	B	C	
12	11.00	12.40	14.00
13	12.00	13.40	15.00
14	13.00	14.40	16.00
15	14.00	15.40	17.00
16	15.00	16.40	18.00
17	16.00	17.40	19.00
18	17.00	18.40	20.00
19	18.00	19.40	21.00
20	19.00	20.40	22.00
21	20.00	21.40	22.40
22	21.00	22.40	24.00

Series No. ① ② ③ ④ ⑤ ⑥ ⑦ ⑧ ⑨  
X1002 W R S-XX X-LP SN XX

- ① Series No.
- ② Category: W-water
- ③ Welding Board Angle: R- Right Angle 90°
- ④ Welding Way: S-SMT
- ⑤ Row No.-Pin No.: XX-02P~22P
- ⑥ Plug the Pin & Special No.:
- ⑦ Material: LCP-LCP 94V-0
- ⑧ Plating Category: SN-Bright tin plating
- ⑨ Color: Blank-Natural Color

■ Specifications :

- Voltage rating: 50V AC / DC
- Current rating: 1A AC / DC
- Withstanding voltage: 500V AC/minute
- Temperature range: -25°C~+85°C
- Insulation resistance: ≥100MΩ
- Contact resistance: ≤20mΩ
- After environmental testing: ≤40mΩ

DATE	SCALE: N/A	MODEL TYPE: X1002WRS-XX-LPSN
DNSD	VIEW:	PART NO.:
DWN	UNIT: mm	DWG NO.:
CHKD	SIZE: A4	WEIGHT: 1.0g
APPD	DATE	SHEET: 1/1
	DATE	REVISION: A0

**XKB INDUSTRIAL PRECISION CO., LIMITED**

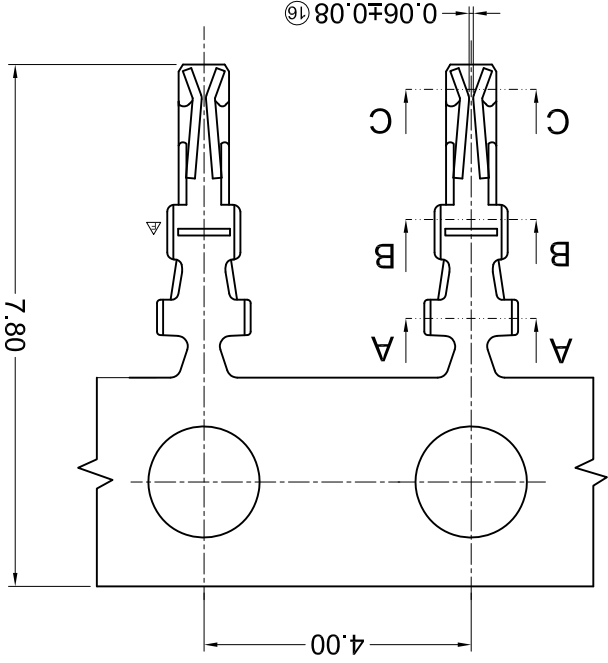
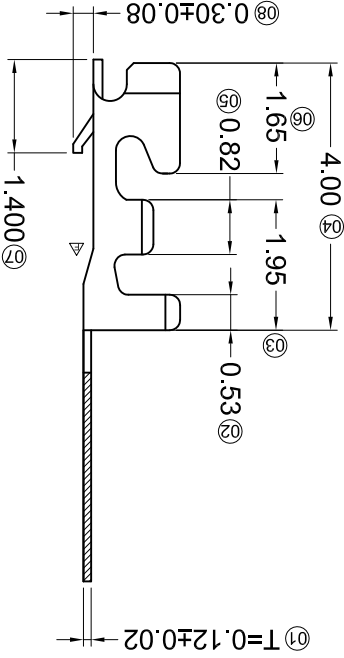
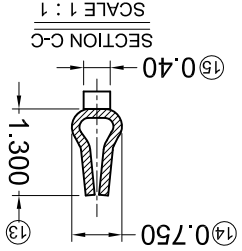
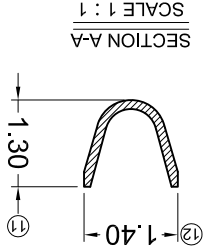
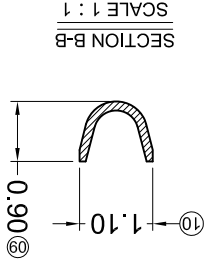


For and on behalf of  
**XKB INDUSTRIAL PRECISION CO., LIMITED**  
 香港星坤工業精密有限公司

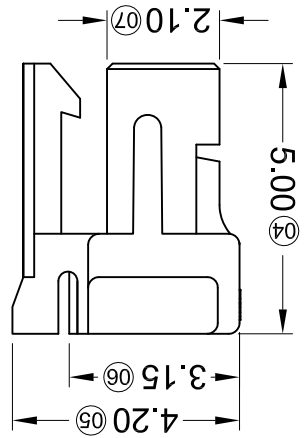
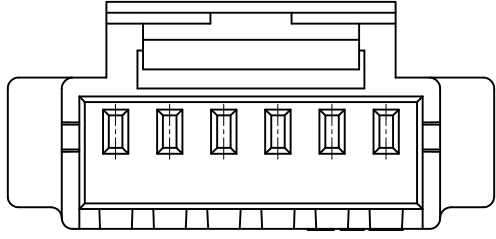
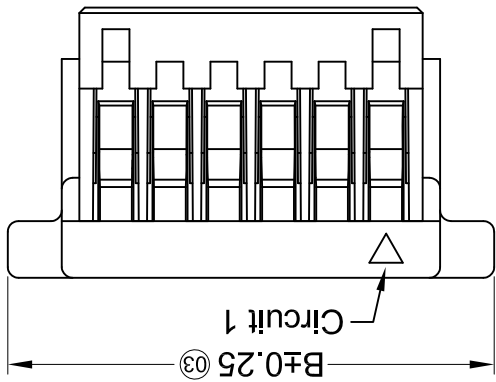
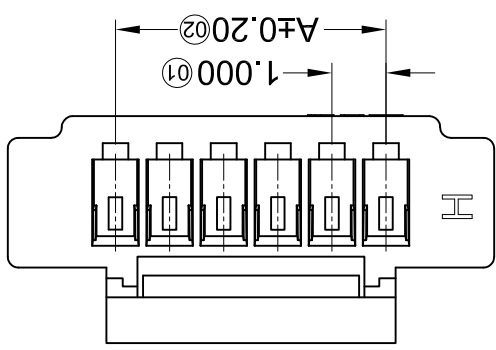
MARK	DESCRIPTION	DATE	REVISED	APPROVED	UNSPECIFIED TOLERANCES
△ X					L > 63
△ X					16 < L ≤ 63
△ X					4 < L ≤ 16
					L ≤ 4
					ANGULAR
					± 5°

REVISIONS	Authorized Signatures(s)				
APPD	DATE	REVISD	APPROVED	UNSPECIFIED TOLERANCES	
CHKD	DATE				
DWN	DATE				
DSND	DATE				
MODEL TYPE:	SCALE: N/A				
X1002T-PXX					
PART NO.:	VIEW:				
1.00 mm Crimp Style Connectors	UNIT: mm				
DWG NO.:	SIZE: A4				
WEIGHT	SHEET				
1.0g	1/1				
REVISION					
A0					

PART NO	Material	Wire Range	Insulation O.D.	Finish	Suitable XKB Terminal
X1002T-PV03	Phosphor Bronze	AWG#26-32	0.80mm(Max)	Stamping Before Plating:30~50u" Ni;Whole Gold :3u" Min.	X1002H
X1002T-PV01				Stamping Before Plating:30~50u" Ni;Whole Gold :3u" Min.	
X1002T-FSN2				Stamping Before Plating:50u" Min Ni;120u"Sn Min	
X1002T-FSN				Stamping Before Plating:30~50u" Ni;70~120u"Sn	



- Specifications :**
- Voltage rating: 50V AC / DC
  - Current rating: 1A AC / DC
  - Withstanding voltage: 500V AC/minute
  - Temperature range: -25°C~+85°C
  - Insulation resistance: ≥100MΩ
  - Contact resistance: ≤20mΩ
  - After environmental testing: ≤40mΩ
- Series Number: X1002 T X-P XX X-X
- ① ② ③ ④ ⑤ ⑥ ⑦
- ① Series Number
  - ② Category: T-terminal
  - ③ Shape: Blank-ordinary
  - ④ Material: P-Phosphor bronze
  - ⑤ Plating style: V\*-All Gold-Plated ; \*01-Gold Flash ; \*03-3u" SN2-Bright tin plating 70-120u" SN2-Bright tin plating 120u"Min. Ni ; 50u" Min.
  - ⑥ Plating method: Blank-Stamping before plating
  - ⑦ Mold No./Mark/Special No.



For and on behalf of  
 XKB INDUSTRIAL PRECISION CO., LIMITED  
 香港星坤工業精密有限公司

REVISIONS  
 Authorized Signatures(s)

MARK	DESCRIPTION	DATE	REVISED	APPROVED	UNSPECIFIED TOLERANCES
△ X					L > 63 ±0.5
△ X					16 < L ≤ 63 ±0.4
△ X					4 < L ≤ 16 ±0.3
△ X					L ≤ 4 ±0.2
					ANGULAR ±5°

PART NO	Material	Suitable XKB Terminal	Suitable XKB Terminal
X1002H-XXL-N0XX	PA66 UL 94V-0	X1002T	X1002W-L

Poles	Dimensions(mm)		Poles	
	A	B	A	B
02	1.00	5.00	12	11.00
03	2.00	6.00	13	12.00
04	3.00	7.00	14	13.00
05	4.00	8.00	15	14.00
06	5.00	9.00	16	15.00
07	6.00	10.00	17	16.00
08	7.00	11.00	18	17.00
09	8.00	12.00	19	18.00
10	9.00	13.00	20	19.00
11	10.00	14.00		23.00

X1002 H X-XX L-N0 XX  
 ① Series No.  
 ② Category: H-HSG  
 ③ Welding Board Angle: Blank-ordinary  
 ④ Row No.-Pin No.: XX-02P~12P  
 ⑤ Plug the Pin & special No.: L-With Lock  
 ⑥ Material: N0-PA66 94V-0  
 ⑦ Color: Blank-Natural color ; BK-Black

- Specifications :
- Voltage rating: 50V AC / DC
  - Current rating: 1A AC / DC
  - Withstanding voltage: 500V AC/minute
  - Temperature range: -25°C~+85°C
  - Insulation resistance: ≥100MΩ
  - Contact resistance: ≤20mΩ
  - After environmental testing : ≤40mΩ

DATE	SCALE: N/A	MODEL TYPE: X1002H-XXL-N0XX
DNSD		
DWN		
CHKD		
APPD		
DATE		
DATE		
DATE		
VIEW:		
UNIT: mm		
SIZE: A4		
1.00 mm Crimp Style Connectors		
DWG NO.:		
PART NO.:		
WEIGHT: 1.0g		
SHEET: 1/1		
REVISION: A0		




For and on behalf of  
**KXB INDUSTRIAL PRECISION CO., LIMITED**  
 香港星洲工業精密有限公司

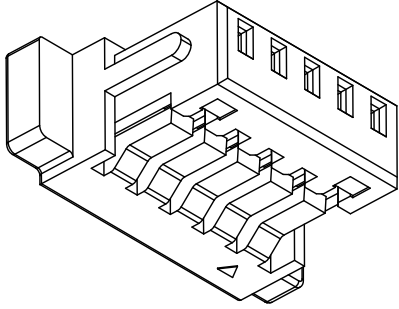
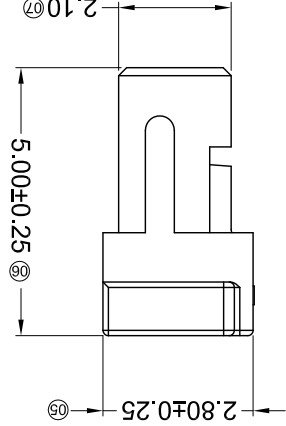
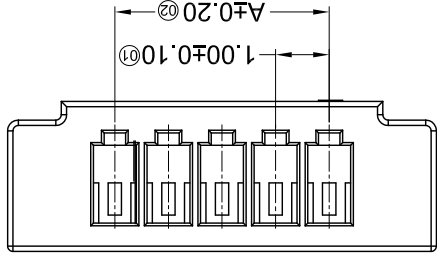
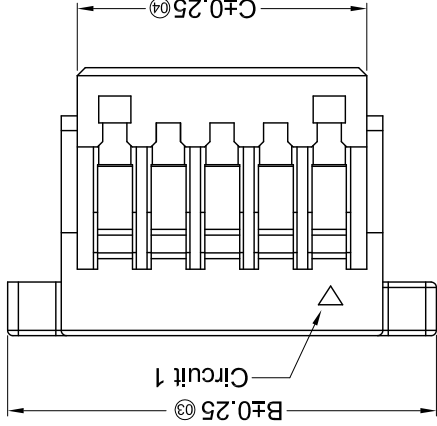
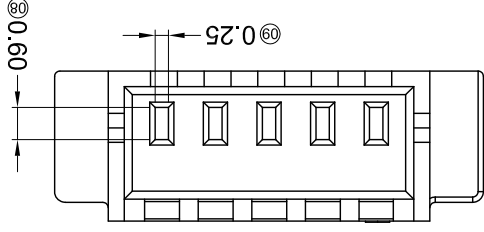
MARK	DESCRIPTION	DATE	REVISD	APPROVED	UNSPCIFIED TOLERANCES
△ X					L > 63
△ X					16 < L ≤ 63
△ X					4 < L ≤ 16
△ X					L ≤ 4
					ANGULAR

REVISION	SHEET	WEIGHT	SIZE	DATE	DATE	DATE	DATE
A0	1/1	1.0g	A4				

**KXB INDUSTRIAL PRECISION CO., LIMITED**

APPD	CHKD	DWN	DSND

UNIT: mm  
 VIEW:   
 SCALE: N/A  
 MODEL TYPE: X1002H-XXE-XXHF  
 PART NO.:  
 1.00 mm Crimp Style Commctors  
 DWG NO.:



PART NO	Material	Suitable XKB Terminal	Suitable XKB Terminal
X1002H-XXE-PT	PBT UL 94V-0		Suitable XKB Terminal
X1002H-XXE-N0	PA66 UL 94V-0		
X1002H-XXE-N0HF	Halogen Free PA66 UL 94V-0		
X1002H-XXE-PGN0HF	Halogen Free P-640PG3G-NC(15%GF)	X1002T	X1002W

Poles	Dimensions(mm)		
	A	B	C
02	1.00	5.00	2.40
03	2.00	6.00	3.40
04	3.00	7.00	4.40
05	4.00	8.00	5.40
06	5.00	9.00	6.40
07	6.00	10.00	7.40
08	7.00	11.00	8.40
09	8.00	12.00	9.40
10	9.00	13.00	10.40
11	10.00	14.00	11.40
12	11.00	15.00	12.40

- Specifications :**
- Voltage rating: 50V AC / DC
  - Current rating: 1A AC / DC
  - Withstanding voltage: 500V AC/minute
  - Temperature range: -25°C~+85°C
  - Insulation resistance: ≥100MΩ
  - Contact resistance: ≤20mΩ
  - After environmental testing: ≤40mΩ
- X1002 H X-XX E-XX XX XX**
- ① Series No.  
 ② Category: H-HSG  
 ③ Welding Board Angle: Blank-ordinary  
 ④ Row No.-Pin No.: XX-02P-24P  
 ⑤ Plug the Pin & special No.: E-Have ears  
 ⑥ Material: PT-PBT; N0-PA66 94V-0  
 PGN0-P-640PG3G-NC(15%GF)  
 ⑦ Color: Blank-natural color  
 ⑧ HF- Halogen Free; Blank- Halogen

For and on behalf of  
**XKB INDUSTRIAL PRECISION CO., LIMITED**  
 香港星洲工業精密有限公司

REVISIONS  
 (Authorized Signatures)

MARK	DESCRIPTION	DATE	REVISED	APPROVED	UNSPECIFIED TOLERANCES
△ X					L > 63
△ X					16 < L ≤ 63
△ X					4 < L ≤ 16
					L ≤ 4
					ANGULAR
					± 5°

REVISION	SHEET	WEIGHT	1/1	1.0g
A0				

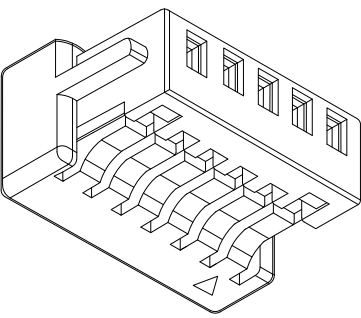
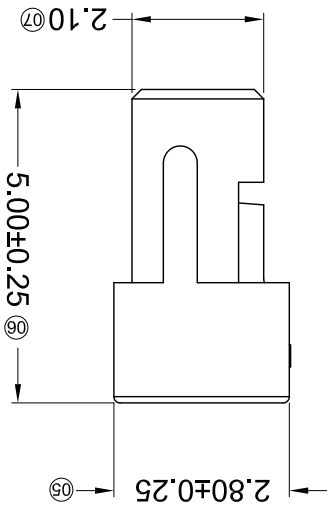
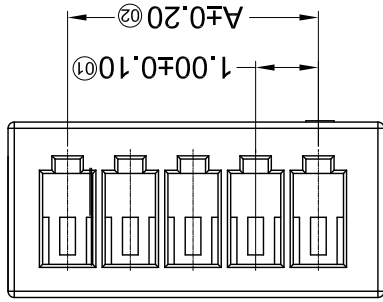
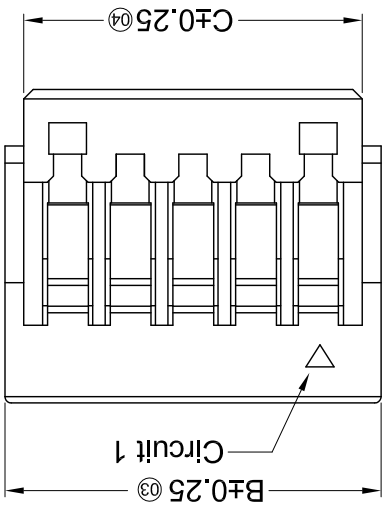
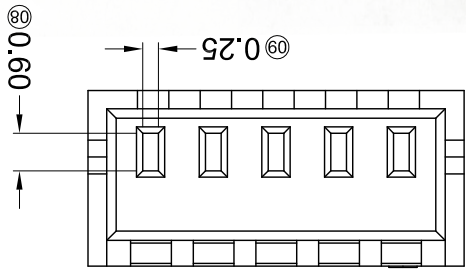
**XKB INDUSTRIAL PRECISION CO., LIMITED**

DSND	DATE	SCALE: N/A	MODEL TYPE: X1002H-XX-XXHF

DWN	DATE	VIEW:	PART NO.:

CHKD	DATE	UNIT: mm	DWG NO.:
			1.00 mm Crimp Style Connectors

APPD	DATE	SIZE: A4



PART NO	Material	Suitable XKB Terminal
X1002H-XX-PT	PBT UL 94V-0	Suitable XKB Terminal
X1002H-XX-N0	PA66 UL 94V-0	
X1002H-XX-N0HF	PA66 UL 94V-0 Halogen Free	

Poles	Dimensions(m)		
	A	B	C
02	1.00	3.00	2.40
03	2.00	4.00	3.40
04	3.00	5.00	4.40
05	4.00	6.00	5.40
06	5.00	7.00	6.40
07	6.00	8.00	7.40
08	7.00	9.00	8.40
09	8.00	10.00	9.40
10	9.00	11.00	10.40
11	10.00	12.00	11.40
12	11.00	13.00	12.40

Poles	Dimensions(m)		
	A	B	C
02	12.00	14.00	13.40
03	13.00	15.00	14.40
04	14.00	16.00	15.40
05	15.00	17.00	16.40
06	16.00	18.00	17.40
07	17.00	19.00	18.40
08	18.00	20.00	19.40
09	19.00	21.00	20.40
10	20.00	22.00	21.40
11	21.00	23.00	22.40
12	22.00	24.00	23.40

- X1002 H X-XX X-XX XX XX
- ① Series No.
  - ② Category: H-HSG
  - ③ Welding Board Angle: Blank-ordinary
  - ④ Row No.-Pin No.: XX-02P~24P
  - ⑤ Plug the Pin & special No.
  - ⑥ Material: PT-PBT N0-PA66 94V-0
  - ⑦ Color: Blank-natural color
  - ⑧ HF-Halogen Free ; Blank- Halogen
- Specifications :
- Voltage rating: 50V AC / DC
  - Current rating: 1A AC / DC
  - Withstanding voltage: 500V AC/minute
  - Temperature range: -25°C~+85°C
  - Insulation resistance: ≥100MΩ
  - Contact resistance: ≤20mΩ
  - After environmental testing: ≤40mΩ

## X-ON Electronics

Largest Supplier of Electrical and Electronic Components

*Click to view similar products for [Headers & Wire Housings](#) category:*

*Click to view products by [XKB](#) manufacturer:*

Other Similar products are found below :

[95000-104TRLF](#) [10135584-644402LF](#) [DF62W-EP2022PCA](#) [95000-106TRLF](#) [DF62W-2022SCA](#) [DF62W-EP2022PC](#) [2203348](#) [DF62W-2022SC](#) [1084018](#) [1029039](#) [1084017](#) [802-10-012-10-002000](#) [1112640](#) [1112639](#) [891-007-9SS-BST1T](#) [000-34000](#) [0008550134](#) [0009482033](#) [0009507031](#) [57102-F02-18ULF](#) [57102-S06-03LF](#) [57202-S52-04LF](#) [PCN6-15S-2.5E](#) [0039019024](#) [58102-G61-06LF](#) [582553-1](#) [0009485154](#) [0009508121](#) [0022285053](#) [0050291907](#) [018731A](#) [LY20-4P-DT1-P1E-BR](#) [02.125.8002.8](#) [60101931](#) [60598-1 \(Cut Strip\)](#) [M1625-3R/100](#) [61062-3](#) [61082-181009](#) [CSU011177004](#) [636-1427](#) [638009-1](#) [641938-9](#) [641991-4](#) [644168-1](#) [644827-2](#) [647662-1](#) [65039-019ELF](#) [65692-001LF](#) [65781-018](#) [65781-047](#)