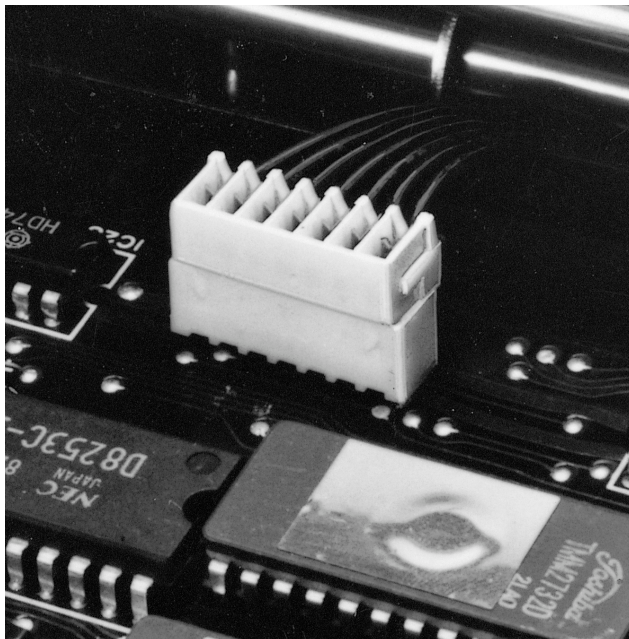
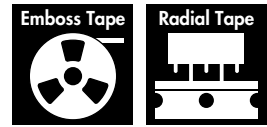
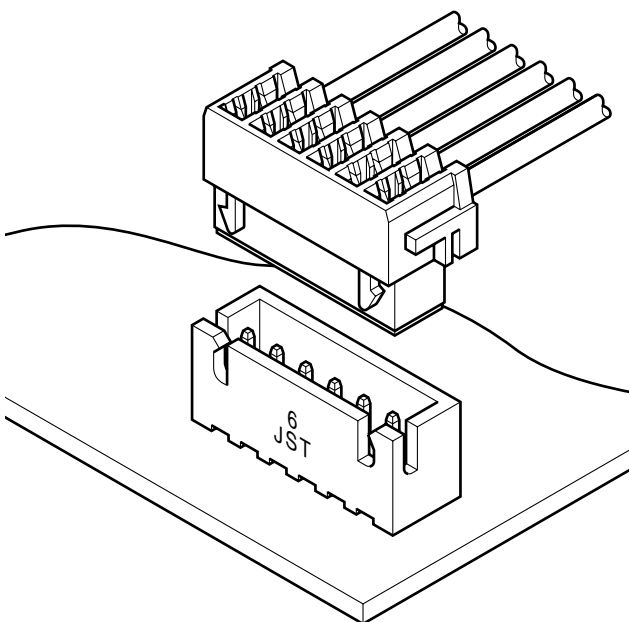


NR CONNECTOR

Disconnectable Insulation displacement connectors



The NR connector is our first insulation displacement connector designed for printed circuit boards and has a justified reputation for reliability. The receptacle accepts both discrete wires and ribbon cables.



Features

• Twin U-slot insulation displacement section

The insulation displacement section connected to each wire consists of two tin-plated slots (twin U-slot), which ensures reliable connection.

• Strain relief

The housing has a strain relief feature that supports and protects the insulation displacement connection from vibration, shock and bending.

• Interchangeability

The shrouded header is interchangeable with the XH connectors (crimp style), the NRD connectors (IDC style), and the JQ connectors (board-to-board style).

Specifications

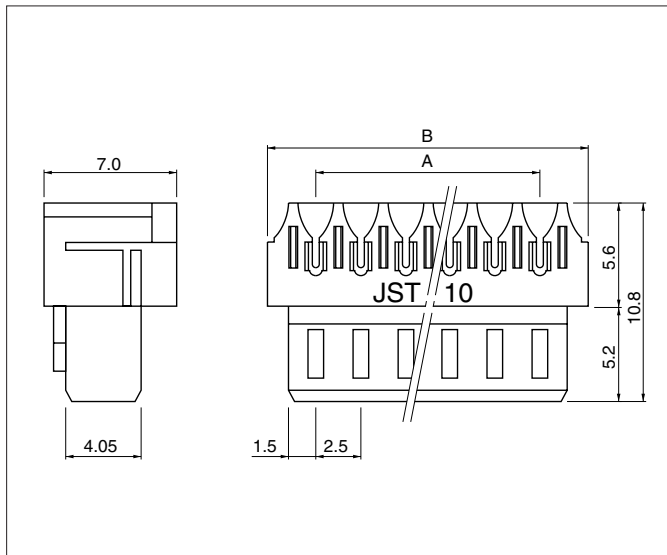
- Current rating: 2A AC, DC (AWG #24)
- Voltage rating: 250V AC, DC
- Temperature range: -25°C to +85°C
(including temperature rise in applying electrical current)
- Contact resistance: Initial value/10m Ω max.
After environmental testing/20m Ω max.
- Insulation resistance: 1,000M Ω min.
- Withstanding voltage: 1,500V AC/minute
- Applicable wire: UL1007(Contact JST for details regarding other UL wires.)
AWG #28, #26, #24
Conductor/7 strands, tin-coated
Insulation O.D./1.1 to 1.5mm
- Applicable PC board thickness: 1.6mm
- * Compliant with RoHS.
- * Refer to "General Instruction and Notice when using Terminals and Connectors" at the end of this catalog.
- * Contact JST for details.

Standards

Recognized E60389

Certified LR20812

Receptacle



| Circuits | Model No. | | | Dimensions (mm) | | Q'ty / box |
|----------|-----------------|-------------------------|-----------------|-----------------|------|------------|
| | AWG #28 (green) | AWG #26 (natural/white) | AWG #24 (black) | A | B | |
| 2 | 02NR-E8M | 02NR-E6S | 02NR-E4K | 2.5 | 7.5 | 1,000 |
| 3 | 03NR-E8M | 03NR-E6S | 03NR-E4K | 5.0 | 10.0 | 1,000 |
| 4 | 04NR-E8M | 04NR-E6S | 04NR-E4K | 7.5 | 12.5 | 1,000 |
| 5 | 05NR-E8M | 05NR-E6S | 05NR-E4K | 10.0 | 15.0 | 500 |
| 6 | 06NR-E8M | 06NR-E6S | 06NR-E4K | 12.5 | 17.5 | 500 |
| 7 | 07NR-E8M | 07NR-E6S | 07NR-E4K | 15.0 | 20.0 | 500 |
| 8 | 08NR-E8M | 08NR-E6S | 08NR-E4K | 17.5 | 22.5 | 500 |
| 9 | 09NR-E8M | 09NR-E6S | 09NR-E4K | 20.0 | 25.0 | 250 |
| 10 | 10NR-E8M | 10NR-E6S | 10NR-E4K | 22.5 | 27.5 | 250 |
| 12 | 12NR-E8M | 12NR-E6S | 12NR-E4K | 27.5 | 32.5 | 200 |
| 13 | 13NR-E8M | 13NR-E6S | 13NR-E4K | 30.0 | 35.0 | 200 |
| 14 | — | 14NR-E6S | — | 32.5 | 37.5 | 200 |

Material and Finish

Contact: Phosphor bronze, nickel-undercoated, tin-plated
Housing: PA 66, UL94V-0

RoHS compliance This product displays (LF) on a label.
Note: 14NR-E6S is not TÜV approved.

<For reference> As the color identification, the following alphabet shall be put in the underlined part. For availability, delivery and minimum order quantity, contact JST.

ex. **02NR-E8M**

K...black [standard color for AWG#24]

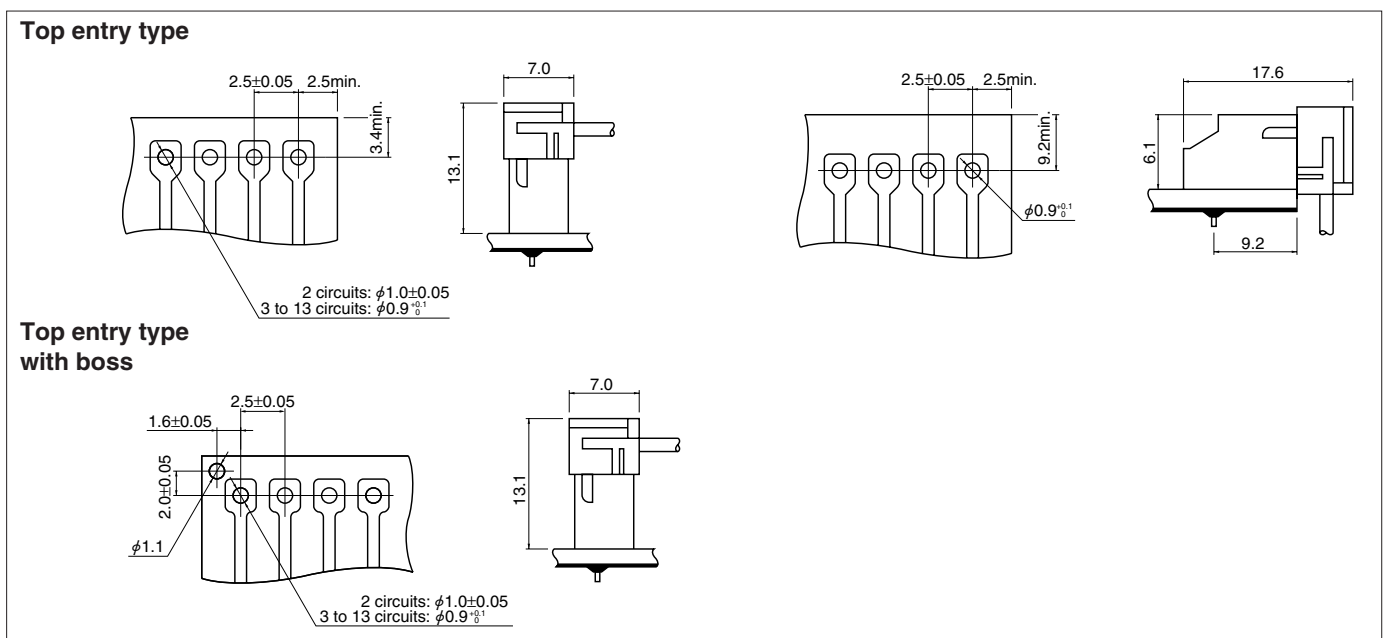
S...natural (white) [standard color for AWG#26]

M...green [standard color for AWG#28]

Shrouded header

The shrouded headers are interchangeable with the XH crimp style connectors, the NRD insulation displacement connectors, and the JQ board-to-board connectors.

PC board layout (viewed from soldering side) and Assembly layout



Note:

1. Tolerances are non-cumulative: $\pm 0.05\text{mm}$ for all centers.
2. Hole dimensions differ according to the kind of PC board and piercing method. If PC boards made of hard material are used, the hole dimensions should be larger. The dimensions above should serve as a guideline. Contact JST for details.

X-ON Electronics

Largest Supplier of Electrical and Electronic Components

Click to view similar products for [Headers & Wire Housings](#) category:

Click to view products by [JST](#) manufacturer:

Other Similar products are found below :

[95000-104TRLF](#) [10135584-644402LF](#) [DF62W-EP2022PCA](#) [95000-106TRLF](#) [DF62W-2022SCA](#) [DF62W-EP2022PC](#) [2203348](#) [DF62W-2022SC](#) [1084018](#) [1029039](#) [1084017](#) [802-10-012-10-002000](#) [1112640](#) [1112639](#) [891-007-9SS-BST1T](#) [000-34000](#) [0008550134](#) [0009482033](#) [0009507031](#) [57102-F02-18ULF](#) [57102-S06-03LF](#) [57202-S52-04LF](#) [PCN6-15S-2.5E](#) [0039019024](#) [58102-G61-06LF](#) [582553-1](#) [0009485154](#) [0009508121](#) [0022285053](#) [0050291907](#) [018731A](#) [LY20-4P-DT1-P1E-BR](#) [02.125.8002.8](#) [60101931](#) [60598-1 \(Cut Strip\)](#) [M1625-3R/100](#) [61062-3](#) [61082-181009](#) [CSU011177004](#) [636-1427](#) [638009-1](#) [641938-9](#) [641991-4](#) [644168-1](#) [644827-2](#) [647662-1](#) [65039-019ELF](#) [65692-001LF](#) [65781-018](#) [65781-047](#)