

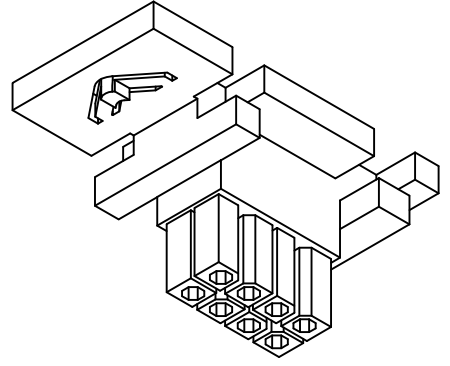
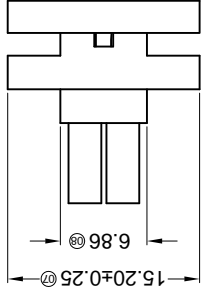
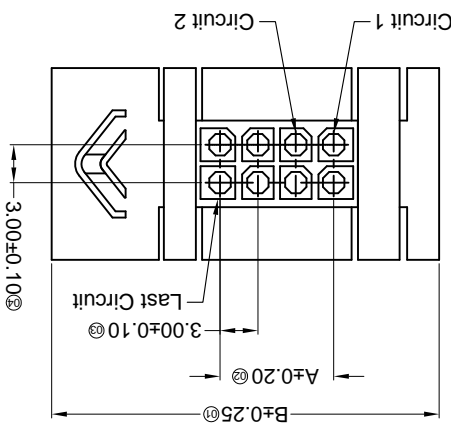
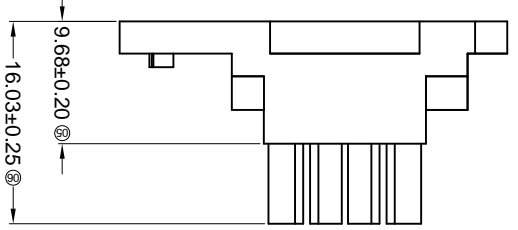
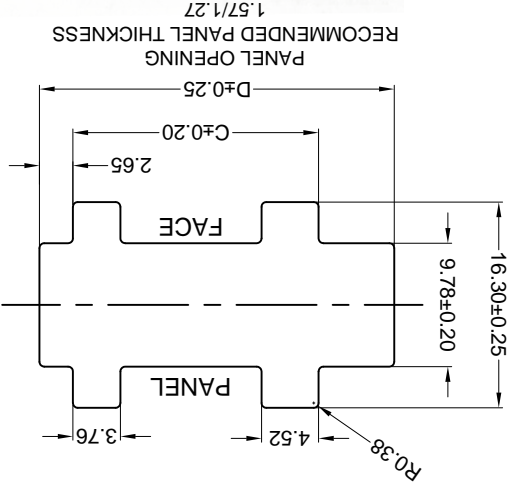
For and on behalf of
XKB INDUSTRIAL PRECISION CO., LIMITED
 香港星坤工業精密有限公司

MARK	DESCRIPTION	DATE	REVISIONS	UNSPECIFIED TOLERANCES
△ X				L > 63 ±0.5
△ X				16 > L ≤ 63 ±0.4
△ X				4 < L ≤ 16 ±0.3
				L ≤ 4 ±0.2
				ANGULAR ±5°

REVISIONS	DATE	REVISIONS	DATE	UNSPECIFIED TOLERANCES
APPROVED		APPROVED		L > 63 ±0.5
REVISED		REVISED		16 > L ≤ 63 ±0.4
				4 < L ≤ 16 ±0.3
				L ≤ 4 ±0.2
				ANGULAR ±5°

DSND	DATE	SCALE: N/A	MODEL TYPE: X3025HM-2*XXWS-N2
DWN	DATE	VIEW:	PART NO.:
CHKD	DATE	UNIT: mm	3.00 mm Crimp Style Connectors
APPD	DATE	SIZE: A4	DWG NO.:

WEIGHT	SHEET	REVISION
1.0g	1/1	A0



PART NO	Material	Suitable SWB Terminal	Mates With XKB Wafer
X3025HM-2*XXWS-N2	Nylon 66 94V-2	X3025TF	X3025W

Poles	A	B	C	D
2*02	3.00	24.60	13.46	22.10
2*03	6.00	27.70	16.46	25.10
2*04	9.00	30.70	19.46	28.10
2*05	12.00	33.80	22.46	31.10
2*06	15.00	36.80	25.46	34.10
2*07	18.00	39.90	28.46	37.10
2*08	21.00	42.90	31.46	40.10
2*09	24.00	46.00	34.46	43.10
2*10	27.00	49.00	37.46	46.10
2*11	30.00	51.80	40.46	49.10
2*12	33.00	54.90	43.46	52.10

- ① Series No.
- ② Category: H-HSG
- ③ Welding Board Angle: M-Male HSG
- ④ Row No.-Pin No.: 2*XX-2*02P~2*10P
- ⑤ Plug the Pin & special No.: WS-With Base
- ⑥ Material: N2-PA66 94V-2;
- ⑦ Color: Blank-natural color Black

X3025 H M-2*XX WS-N2 XX

- Specifications :
- Voltage rating: 250V AC / DC
- Current rating: 5A AC / DC
- Withstanding voltage: 1500V AC/minute
- Temperature range: -25°C~+85°C
- Insulation resistance: ≥1000MΩ
- Contact resistance: ≤10mΩ
- After environmental testing: ≤20mΩ

REVISIONS
Authorized Signatures(s)

MARK	DESCRIPTION	DATE	REVISED	APPROVED	UNSPECIFIED TOLERANCES
△ X					L > 63
△ X					16 < L ≤ 63
△ X					4 < L ≤ 16
					L ≤ 4
					ANGULAR

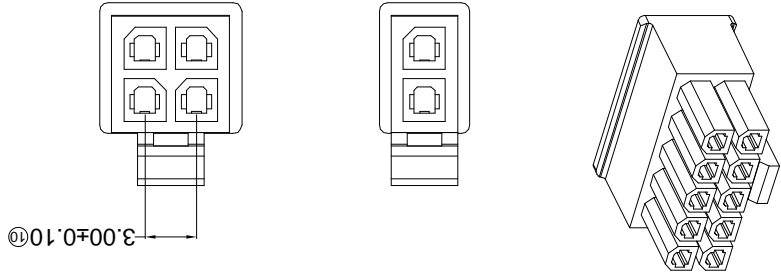
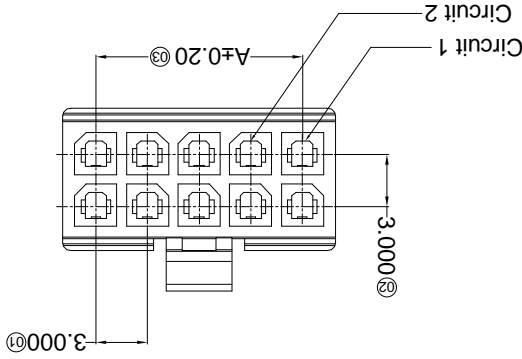
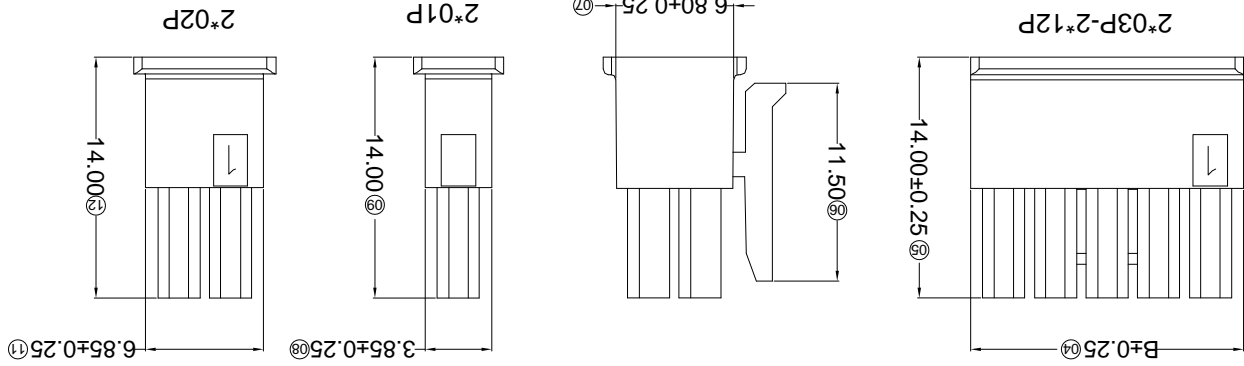
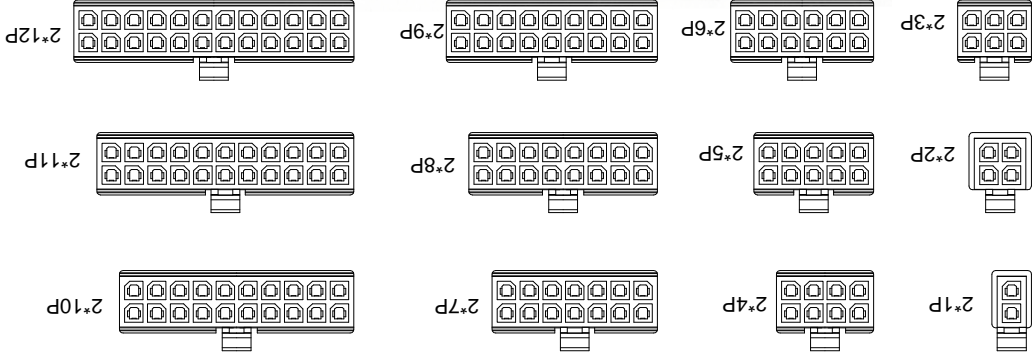
For and on behalf of
KXB INDUSTRIAL PRECISION CO., LIMITED
香港星坤工業精密有限公司

KXB INDUSTRIAL PRECISION CO., LIMITED

MODEL TYPE: X3025HM-2*XX-N2	SCALE: N/A	DATE	DNSD
PART NO.: X3025HM-2*XX-N2	VIEW: 	DATE	DWN
	UNIT: mm	DATE	CHKD
	SIZE: A4	DATE	APPD
WEIGHT 1.0g	SHEET 1/1	REVISION A0	

PART NO	Material	Suitable SWB Terminal	PART NO
X3025HM-2*XX-N2	Nylon 66 94V-2	X3025TF	X3025W
			Mates With XKB Water

Poles	Dimensions(mm)		Poles	Dimensions(mm)	
	A	B		A	B
2*01	2*07	18.00	2*01	2*07	21.85
2*02	3.00	24.00	2*02	2*08	24.85
2*03	6.00	27.85	2*03	2*09	27.85
2*04	9.00	30.85	2*04	2*10	30.85
2*05	12.00	33.85	2*05	2*11	33.85
2*06	15.00	36.85	2*06	2*12	36.85



X3025 H M-2*XX XX-N2 XX

① Series No.

② Category: H-HSG

③ Welding Board Angle: M-Male HSG

④ Row No.-Pin No.: 2*XX-2*01P~2*12P

⑤ Plug the Pin & special No.:

⑥ Material: N2-PA66 94V-2;

⑦ Color: Blank-Natural Color

- Specifications:
- Voltage rating: 250V AC / DC
 - Current rating: 5A AC / DC
 - Withstanding voltage: 1000V AC/minute
 - Temperature range: -25°C~+85°C
 - Insulation resistance: ≥1000MΩ
 - Contact resistance: ≤10mΩ
 - After environmental testing: ≤20mΩ

For and on behalf of
KXB INDUSTRIAL PRECISION CO., LIMITED
 香港星坤工業精密有限公司

MARK	DESCRIPTION	DATE	REVISIONS	UNSPECIFIED TOLERANCES
△ X				ANGULAR ±5°
△ X				L ≤ 4 ±0.2
△ X				4 < L ≤ 16 ±0.3
				16 < L ≤ 63 ±0.4
				L > 63 ±0.5

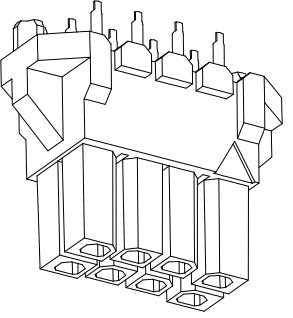
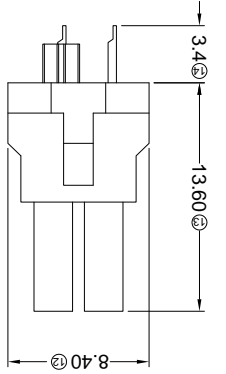
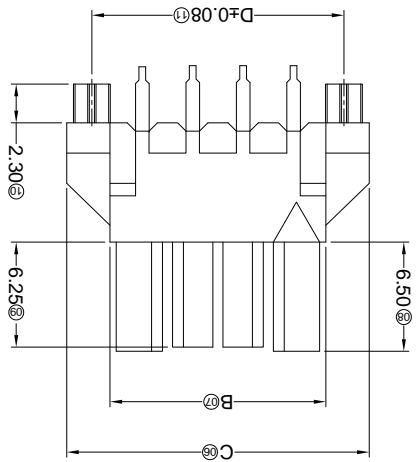
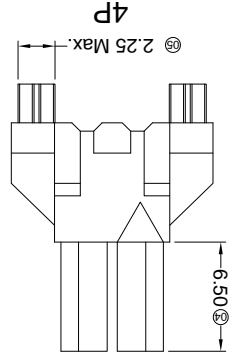
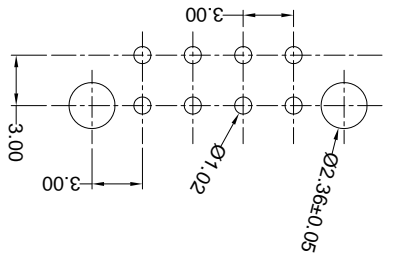
REVISIONS	DATE	APPROVED	REVISED	DESCRIPTION

MARK	DESCRIPTION	DATE	REVISIONS
△ X			
△ X			
△ X			

DSND	DATE	SCALE: N/A	MODEL TYPE: X3025HV-2*XX-LPSN
DWN	DATE	VIEW:	PART NO.: 3.00 mm Crimp Style Connectors
CHKD	DATE	UNIT: mm	DWG NO.:
APPD	DATE	SIZE: A4	

Part No.	Material	Material(Pin)	Finish(Pin)	Mates With KXB Housing
X3025HV-2*XX-LPSN	LCP UL 94V-0	Brass	Tin-Plated	X3025HW or 3025H

Recommended P.C.B Layout



Poles	A	B	C	D
2*02	3.00	6.85	12.00	9.00
2*03	6.00	9.85	15.00	12.00
2*04	9.00	12.85	18.00	15.00
2*05	12.00	15.85	21.00	18.00
2*06	15.00	18.85	24.00	21.00
2*07	18.00	21.85	27.00	24.00
2*08	21.00	24.85	30.00	27.00
2*09	24.00	27.85	33.00	30.00
2*10	27.00	30.85	36.00	33.00
2*11	30.00	33.85	39.00	36.00
2*12	33.00	36.85	42.00	39.00

- ① Series No.
- ② Category: H-HSG
- ③ Welding Board Angle: BOARD-IN: V-180°
- ④ Row No.-Pin No.: 2*XX-2*02P~2*12P
- ⑤ Plug the Pin & special No.:
- ⑥ Material: LP-LCP 94V-0;
- ⑦ Plating Category: SN-Bright tin plating
- ⑧ Color: Blank-Natural Color

X3025 H V-2*XX LP SN XX

- Specifications:
- Voltage rating: 250V AC / DC
 - Current rating: 5A AC / DC
 - Withstanding voltage: 1000V AC/minute
 - Temperature range: -25°C~+85°C
 - Insulation resistance: ≥1000MΩ
 - Contact resistance: ≤10mΩ
 - After environmental testing: ≤20mΩ

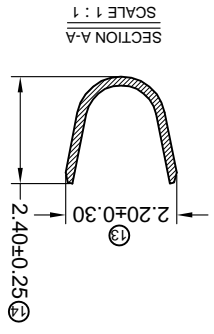
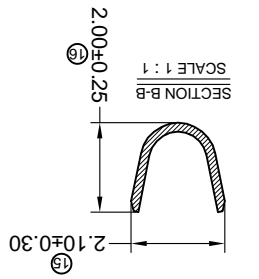
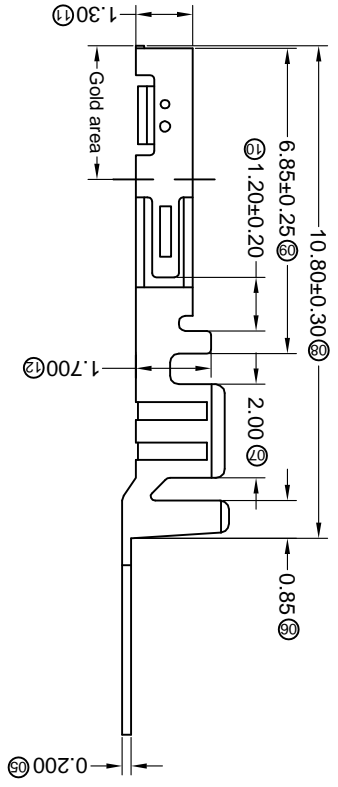
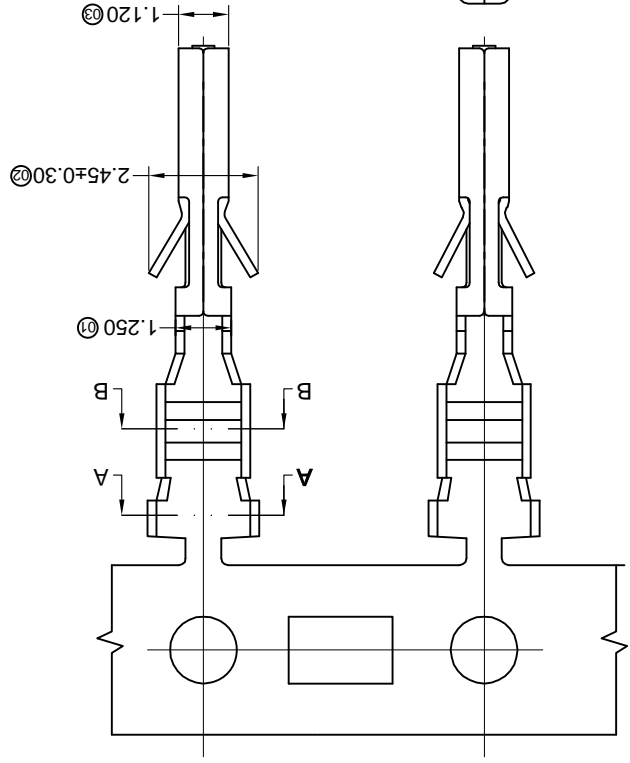
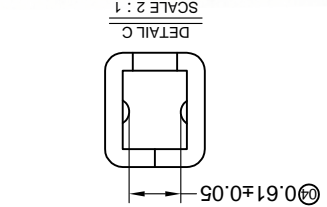
For and on behalf of
XKB INDUSTRIAL PRECISION CO., LIMITED
 香港星坤工業精密有限公司

REVISIONS
 (Unauthorized Signatures)

MARK	DESCRIPTION	DATE	REVISED	APPROVED	UNSPECIFIED TOLERANCES
△ X					L > 63 ± 0.5
△ X					16 > L ≤ 63 ± 0.4
△ X					4 < L ≤ 16 ± 0.3
△ X					L ≤ 4 ± 0.2
					ANGULAR ± 5°

DATE	DATE	DATE	DATE	DATE	DATE	DATE	DATE	DATE
DNSD	DWN	CHKD	APPD					
SCALE: N/A	VIEW:	UNIT: mm	SIZE: A4					
MODEL TYPE: X3025TF-PXXX	PART NO.:	3.00 mm Crimp Style Connectors		DWG NO.:				
WEIGHT: 1.0g	SHEET: 1/1	REVISION		A0				

PART NO	Material	Wire Range	Insulation O.D.	Finish	Used in XKB Housing
X3025TF-PG30	Phosphor Bronze	AWG#20-24	1.85mm(Max)	Stamping Before Plating:30~50u" Ni;Contact Area Gold:30u" Min.	X3025HM
X3025TF-PG15				Stamping Before Plating:30~50u" Ni;Contact Area Gold:15u" Min.	
X3025TF-PG01				Stamping Before Plating:30~50u" Ni;Contact Area Gold Flash	
X3025TF-PSN				Stamping Before Plating:30~50u" Ni;70~120u" Sn	



■ Specifications :

- Voltage rating: 250V AC / DC
- Current rating: 5A AC / DC
- Withstanding voltage: 1000V AC/minute
- Temperature range: -40°C~+85°C
- Insulation resistance: ≥1000MΩ
- Contact resistance: ≤10mΩ
- After environmental testing: ≤20mΩ

X3025 T F-P XX X-X

- ① Series Number
- ② Category: T-terminal
- ③ Shape: F-Female Terminal
- ④ Material: P-Phosphor bronze
- ⑤ Plating style:
- ⑥ G-Gold-Plated Contact
- ⑦ *01-Gold Flash *15-15u" *30-30u"
- ⑧ SN-Bright tin plating 70-120u"
- ⑨ Plating method:
- ⑩ Blank-Stamping before plating
- ⑪ Mold No./Mark/Special No.

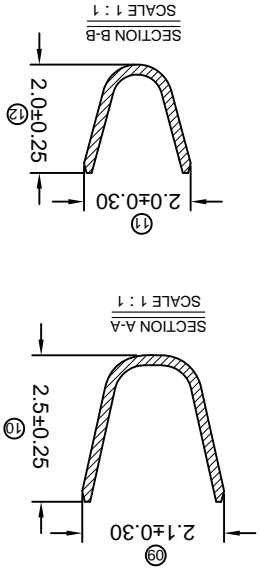
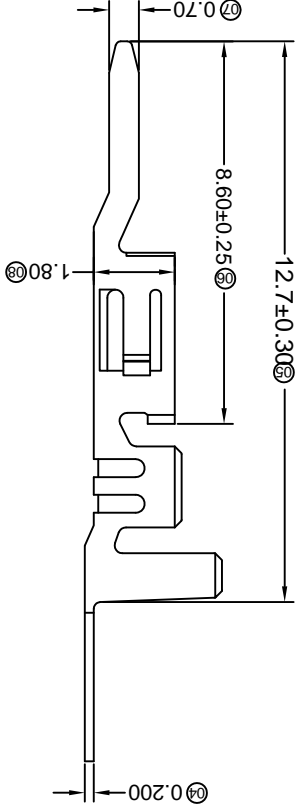
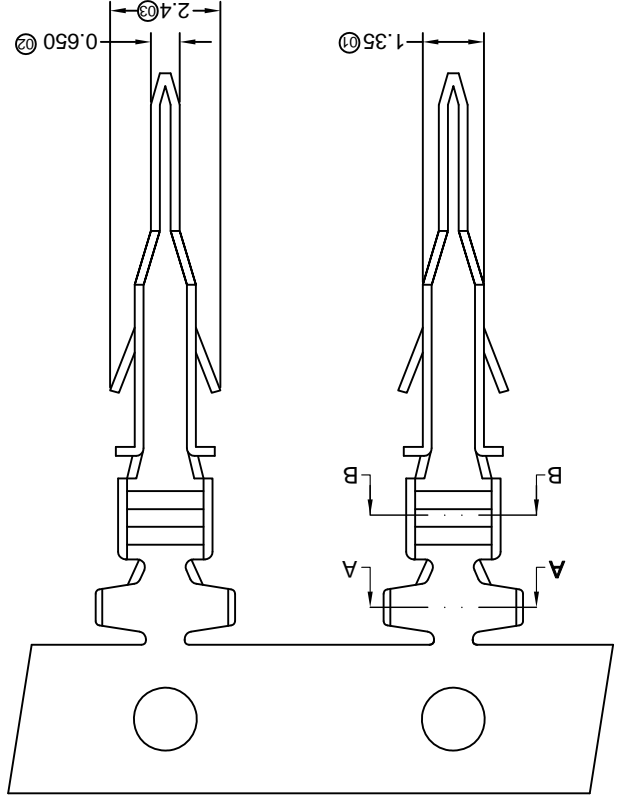
REVISIONS
Authorized Signature(s)

For and on behalf of
XKB INDUSTRIAL PRECISION CO., LIMITED
香港星坤工業精密有限公司

MARK	DESCRIPTION	DATE	REVISED	APPROVED	UNSPECIFIED TOLERANCES
△ X					L > 63
△ X					16 > L ≤ 63
△ X					4 < L ≤ 16
△ X					L ≤ 4
					ANGULAR ± 5°

DATE	SCALE: N/A	MODEL TYPE: X3025TM-PXX
DATE	VIEW:	PART NO.:
DATE	UNIT: mm	DWG NO.:
DATE	SIZE: A4	REVISION
DATE		SHEET
DATE		1/1
DATE		WEIGHT
DATE		1.0g

PART NO	Material	Wire Range	Insulation O.D.	Finish
X3025TM-PSN	Phosphor Bronze	AWG#20-24	1.85mm(Max)	Stamping Before Plating:30u" Ni;70u" Sn
X3025TM-PG01				Stamping Before Plating:30u" Ni>Contact Area Gold Flash
X3025TM-PG15				Stamping Before Plating:30u" Ni>Contact Area Gold:15u" Min.
X3025TM-PG30				Stamping Before Plating:30u" Ni>Contact Area Gold:30u" Min.



- Specifications :**
- Voltage rating: 250V AC / DC
 - Current rating: 5A AC / DC
 - Withstanding voltage: 1000V AC/minute
 - Temperature range: -25°C~+85°C
 - Insulation resistance: ≥1000MΩ
 - Contact resistance: ≤10mΩ
 - After environmental testing: ≤20mΩ
- X3025 T-M-P XX X-X**
- ① Series Number
 - ② Category: T-terminal
 - ③ Shape: M-Male Terminal
 - ④ Material: P-Phosphor bronze
 - ⑤ Plating style: G-Gold-Plated Contact
 - ⑥ SN-Bright tin plating 70u"
 - ⑦ *01-Gold Flash *15-15u" *30-30u"
 - ⑧ Plating method: Blank-Stamping before plating
 - ⑨ Mold No./Mark/Special No.

Used in XKB Housing
X3025HF

APPD	CHKD	DWN	DSND

REVISIONS
Unauthorized Signatures(s)

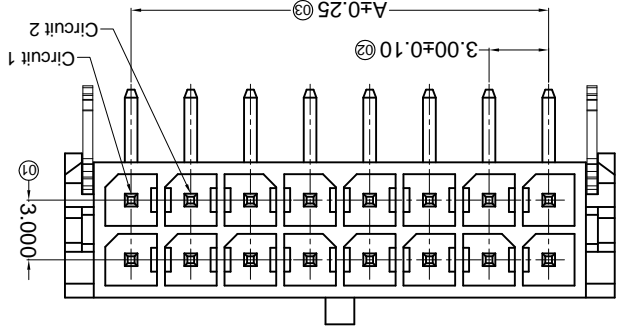
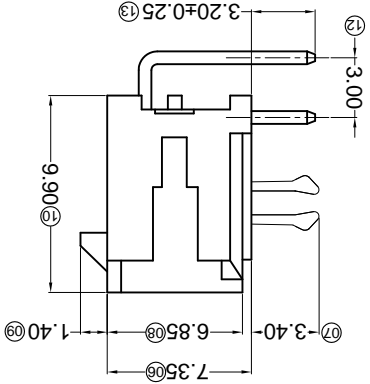
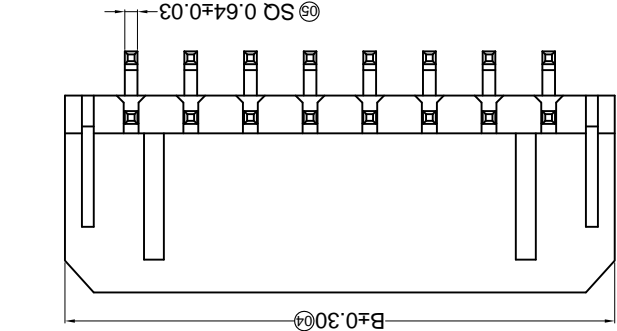
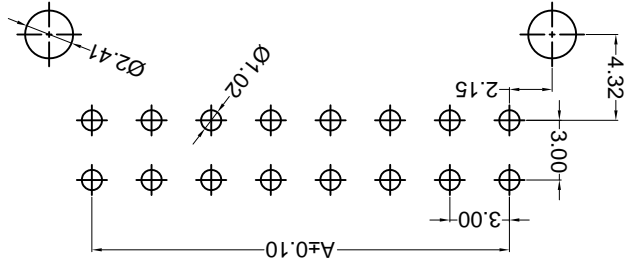
MARK	DESCRIPTION	DATE	REVISED	APPROVED	UNSPECIFIED TOLERANCES
△ X					L > 63 ± 0.5
△ X					16 < L ≤ 63 ± 0.4
△ X					4 < L ≤ 16 ± 0.3
△ X					L ≤ 4 ± 0.2
					ANGULAR ± 5°

For and on behalf of
XKB INDUSTRIAL PRECISION CO., LIMITED
香港星坤工業精密有限公司

XKB INDUSTRIAL PRECISION CO., LIMITED

MODEL TYPE:	SCALE:	DATE	DATE	DATE	DATE
X3025WR-2*XXC-XXX	N/A				
PART NO.:	VIEW:	DATE	DATE	DATE	DATE
3.00 mm Crimp Style Connectors	①				
DWG NO.:	UNIT:	DATE	DATE	DATE	DATE
	mm				
	SIZE:	DATE	DATE	DATE	DATE
	A4				
REVISION	WEIGHT	SHEET			
A0	1.0g	1/1			

Recommended P.C.B Layout
General Tolerance±0.05

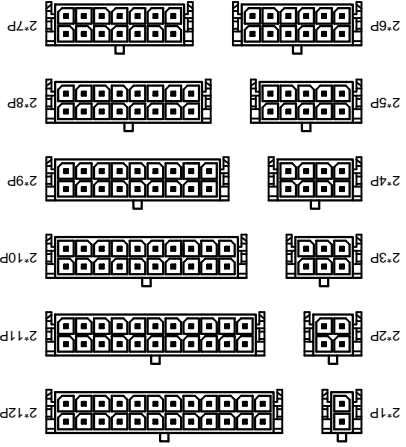


Specifications :

- Voltage rating: 250V AC / DC
- Current rating: 5A AC / DC
- Withstanding voltage: 1000V AC/minute
- Temperature range: -25°C~+85°C
- Insulation resistance: ≥1000MΩ
- Contact resistance: ≤10mΩ
- After environmental testing: ≤20mΩ

- ① Series No.
- ② Category: W-water
- ③ Welding Board Angle: R-90°
- ④ Welding Way: Blank-DIP
- ⑤ Row No.-Pin No.: 2*XX-2*01P~2*12P
- ⑥ Special NO.: C-The harpoon
- ⑦ Material:
- ⑧ 46-PA46 94V-0 NO-PA66 94V-0 LP-LCP 94V-0 Planting Category:
- ⑨ G*:Gold-Plated Contact *02-2u"
- ⑩ SN-Bright tin plating 70u"
- ⑪ Color: Blank-natural color

Scale 1:3



Poles	A	B	Dimensions (mm)	
2*01	---	6.65	2*01	3.00
2*02	3.00	9.65	2*02	3.00
2*03	6.00	12.65	2*03	6.00
2*04	9.00	15.65	2*04	9.00
2*05	12.00	18.65	2*05	12.00
2*06	15.00	21.65	2*06	15.00
2*07	18.00	24.65	2*07	18.00
2*08	21.00	27.65	2*08	21.00
2*09	24.00	30.65	2*09	24.00
2*10	27.00	33.65	2*10	27.00
2*11	30.00	36.65	2*11	30.00
2*12	33.00	39.65	2*12	33.00

Part No.	Material	Material(Pin)	Finish(Pin)	Mates With(XB Housing)
X3025WR-2*XXC-N0S2	Nylon 66 UL 94V-0	Brass	Gold Flash	X3025H
X3025WR-2*XXC-LP5N	LCP UL 94V-0	Brass	Tin-Plated	
X3025WR-2*XXC-46SN	Nylon 46 UL 94V-0			
X3025WR-2*XXC-N0SN	Nylon 66 UL 94V-0			

REVISIONS
 (Authorized Signatures)

MARK	DESCRIPTION	DATE	REVISED	APPROVED	UNSPECIFIED TOLERANCES
△ X					L > 63 ± 0.5
△ X					16 < L ≤ 63 ± 0.4
△ X					4 < L ≤ 16 ± 0.3
△ X					L ≤ 4 ± 0.2
					ANGULAR ± 5°

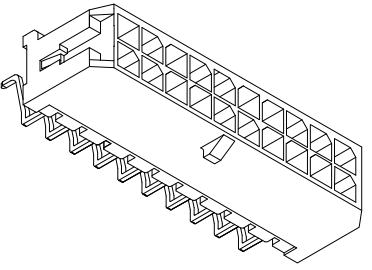
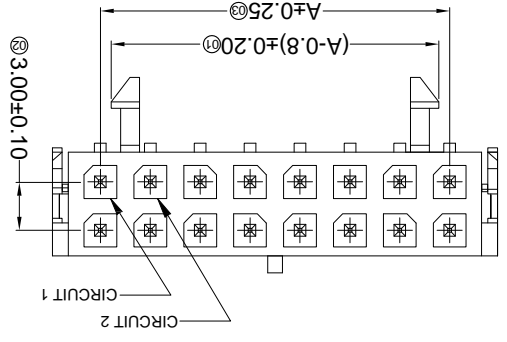
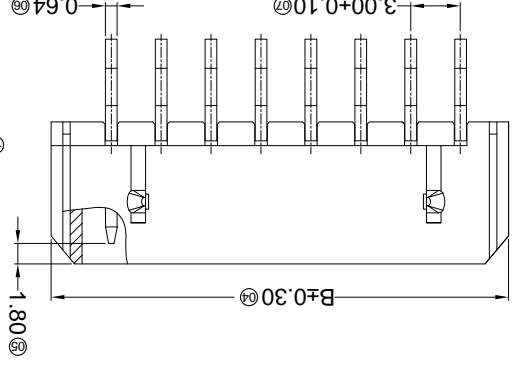
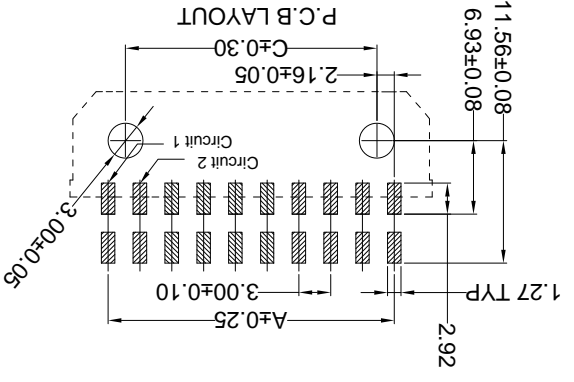
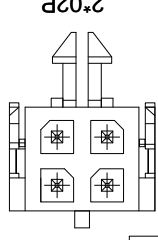
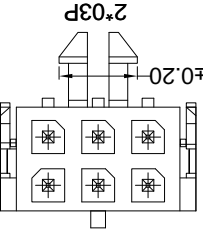
For and on behalf of
 KXB INDUSTRIAL PRECISION CO., LIMITED
 香港星坤工業精密有限公司

KXB INDUSTRIAL PRECISION CO., LIMITED

DATE	SCALE: N/A	MODEL TYPE:
		X3025WRS-2*XXA-LPXX
DATE	VIEW:	PART NO.:
DATE	UNIT: mm	DWG NO.:
		3.00 mm Crimp Style Connectors
DATE	SIZE: A4	REVISION
		A0
WEIGHT	SHEET	REVISION
1.0g	1/1	

PART NO	Material	Material(Pin)	Finish(Pin)	Mates With XKB Housing
X3025WRS-2*XXA-LP5W	LCP UL 94V-0	Brass	Tin-Plated	X3025H
X3025WRS-2*XXA-LP5W	LCP UL 94V-0	Brass	Mate Tin Plating	

Poles	Dimensions (mm)		
	A	B	C
2*01	6.65	6.65	2*07
2*02	3.00	9.65	2*08
2*03	6.00	12.65	2*09
2*04	9.00	15.65	4*07
2*05	12.00	18.65	7*07
2*06	15.00	21.65	10*07
Poles			
Dimensions (mm)			
A	B	C	
18.00	24.65	13.70	
21.00	27.65	16.70	
24.00	30.65	19.70	
27.00	33.65	22.70	
30.00	36.65	25.70	
33.00	39.65	28.70	



- ① Series No.
 ② Category: W-water
 ③ Welding Board Angle: R- Right Angle 90°
 ④ Welding Way: S-SMT
 ⑤ Row No.-Pin No.: 2*XX-2*01P-2*12P
 ⑥ Plug the Pin & Special No.: A-With Post
 ⑦ Material: LP-LCP 94V-0
 ⑧ Planting Category: SN-Bright tin plating
 ⑨ Color: Blank-natural color
 ⑩ SW-Matte Tin plating

- Specifications:
- Voltage rating: 250V AC / DC
 - Current rating: 5A AC / DC
 - Withstanding voltage: 1000V AC/minute
 - Temperature range: -25°C~+85°C
 - Insulation resistance: >1000MΩ
 - Contact resistance: ≤10mΩ
 - After environmental testing: <20mΩ

X3025 W R S-2*XX A-LP XX XX

For and on behalf of
KXB INDUSTRIAL PRECISION CO., LIMITED
 香港星坤工業精密有限公司

REVISIONS
 Authorized Signature(s)

MARK	DESCRIPTION	DATE	REVISED	APPROVED	UNSPECIFIED TOLERANCES
△ X					L > 63
△ X					16 < L ≤ 63
△ X					4 < L ≤ 16
△ X					L ≤ 4
					ANGULAR ± 5°
					± 0.5

REVISION	SHEET	WEIGHT	8
A0	1/1	1.0g	

DATE	SCALE: N/A	MODEL TYPE: X3025WRS-2*XXC-XXXX

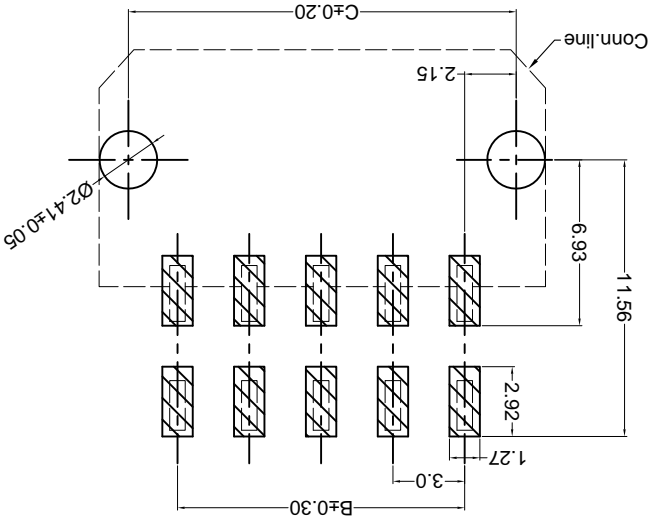
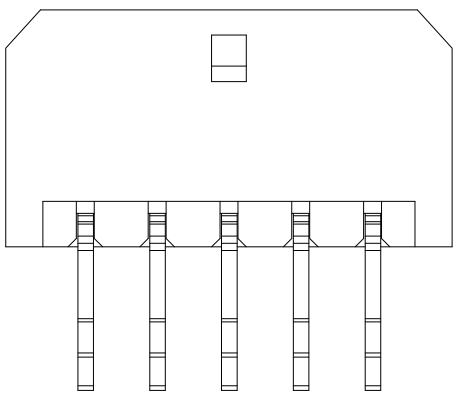
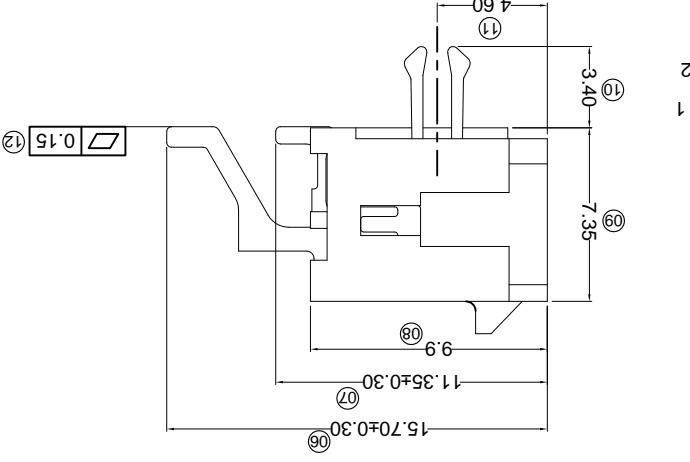
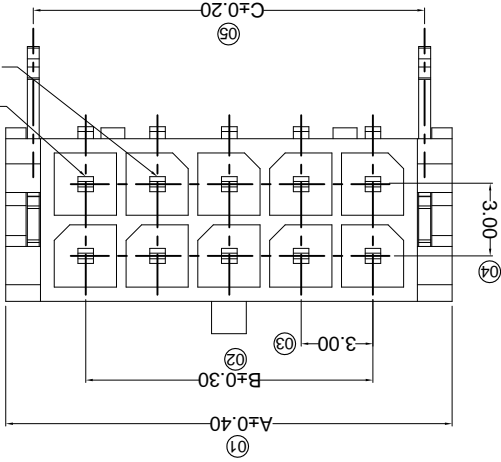
DATE	VIEW:	PART NO.: X3025WRS-2*XXC-XXXX

DATE	UNIT: mm	DWG NO.:
		3.00 mm Crimp Style Connectors

DATE	SIZE: A4	REVISION

KXB INDUSTRIAL PRECISION CO., LIMITED

PART NO	Material	Material(Pin)	Finish(Pin)	(Solder Tabs) Material	(Solder Tabs) Finish	Mates With XKB Housing
X3025WRS-2*XXC-LPSW	LCP UL 94V-0	Brass	Ni:50u"Min:	Brass	Tin-Plated	X3025H
X3025WRS-2*XXC-LPSN	LCP UL 94V-0	Brass	Ni:120u"Min:	Brass	Tin-Plated	
X3025WRS-2*XXC-NOSN	PA66 UL 94V-0	Brass	Ni:120u"Min:	Brass	Finish Tabs	Mates With XKB Housing



- **Specifications :**
- Voltage rating: 250V AC / DC
 - Current rating: 5A AC / DC
 - Withstanding voltage: 1000V AC/minute
 - Temperature range: -25°C~+85°C
 - Insulation resistance: ≥1000MΩ
 - Contact resistance: ≤10mΩ
 - After environmental testing: ≤20mΩ

X3025 W R S-2*XX C-XX XX XX
 ① Series No.
 ② Category: W-water
 ③ Welding Board Angle: R-90°
 ④ Welding Way: S-SMT
 ⑤ Row No.-Pin No.: 2*XX-Double row
 ⑥ Special NO.: C-The harpoon
 ⑦ Material: LP-LCP 94V-0
 ⑧ Material: N0-PA66 94V-0
 ⑨ Plating Category:
 SN-Bright tin plating 70u"
 SW-Fog Tin plating
 Color: Blank-natural color

Poles	A	B	C
02	6.65	---	4.20
04	9.65	3.00	7.20
06	12.65	6.00	10.20
08	15.65	9.00	13.20
10	18.65	12.00	16.20
12	21.65	15.00	19.20
14	24.65	18.00	22.20
16	27.65	21.00	25.20
18	30.65	24.00	28.20
20	33.65	27.00	31.20
22	36.65	30.00	34.20
24	39.65	33.00	37.20

For and on behalf of
XKB INDUSTRIAL PRECISION CO., LIMITED
 香港星坤工業精密有限公司

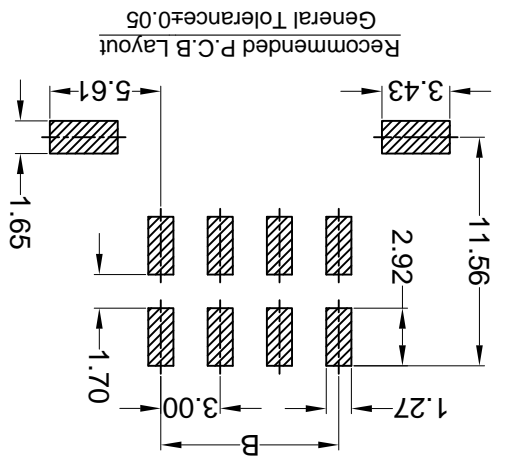
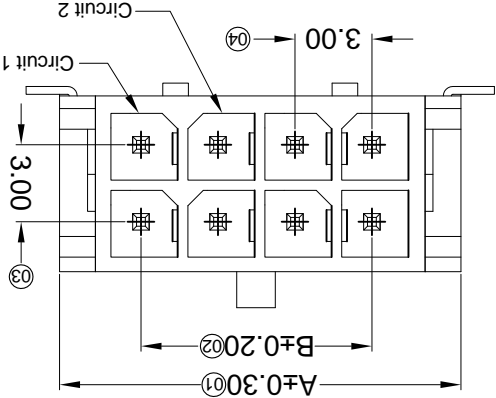
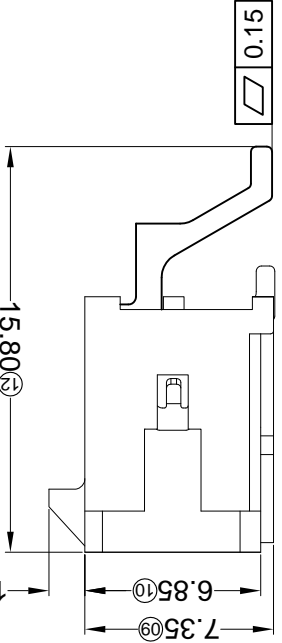
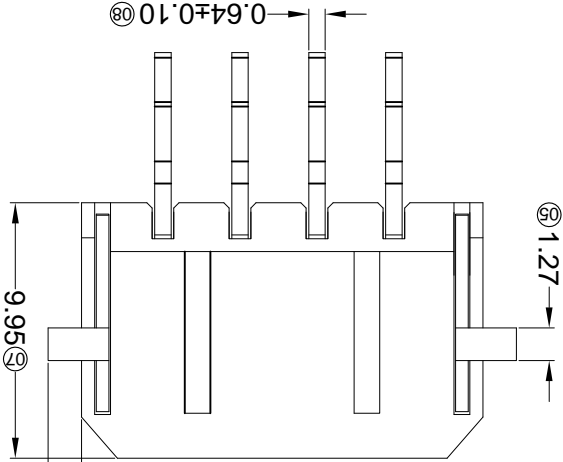
MARK	DESCRIPTION	DATE	REVISID	APPROVED	UNSPECIFIED TOLERANCES
△ X					L > 63
△ X					16 < L ≤ 63
△ X					4 < L ≤ 16
△ X					L ≤ 4
					ANGULAR

REVISION	SHEET	WEIGHT	MODEL TYPE	SCALE	DATE	DSND
A0	1/1	1.0g	X3025WRS-2*XXD-XXXX	N/A		

REVISION	SHEET	WEIGHT	MODEL TYPE	SCALE	DATE	DWN
A0	1/1	1.0g	X3025WRS-2*XXD-XXXX	N/A		

REVISION	SHEET	WEIGHT	MODEL TYPE	SCALE	DATE	CHKD
A0	1/1	1.0g	X3025WRS-2*XXD-XXXX	N/A		

REVISION	SHEET	WEIGHT	MODEL TYPE	SCALE	DATE	APPD
A0	1/1	1.0g	X3025WRS-2*XXD-XXXX	N/A		



Poles	Dimensions (mm)		Poles	Dimensions (mm)	
	A	B		A	B
2*01	6.65	---	2*07	24.65	18.00
2*02	9.65	3.00	2*08	27.65	21.00
2*03	12.65	6.00	2*09	30.65	24.00
2*04	15.65	9.00	2*10	33.65	27.00
2*05	18.65	12.00	2*11	36.65	30.00
2*06	21.65	15.00	2*12	39.65	33.00

- ① Series No.
- ② Category: W-WAFER
- ③ Welding Board Angle: R-Straight 90°
- ④ Welding Way: S-SMT
- ⑤ Row No.-Pin No.: 2*XX-2*02P~2*22P
- ⑥ Plug the Pin & Special No.: D-With Solder Tabs
- ⑦ Material: LP-LCP 94V-0
- ⑧ Plating Category: SN-Bright Tin Plating; G05-Contact Gold 5u"
- ⑨ Color: Blank-Natural Color

- Specifications:**
- Voltage rating: 250V AC / DC
 - Current rating: 5A AC / DC
 - Withstanding voltage: 1000V AC/minute
 - Temperature range: -25°C~+85°C
 - Insulation resistance: ≥1000MΩ
 - Contact resistance: ≤10mΩ
 - After environmental testing: ≤20mΩ

PART NO	Material	Material(Pin)	Finish(Pin)	Material (Solder Tabs)	Finish (Solder Tabs)	Mates With XKB Housing
X3025WRS-2*XXD-LPSN			Tin-Plated			
X3025WRS-2*XXD-LPG05	LCP UL 94V-0	Brass	NI:50u" Min; Ni:120u" Min; Contact Area Gold:5u" Min.	Brass	Tin-Plated	X3025H
X3025WRS-2*XXD-LPSW			Matte tin			

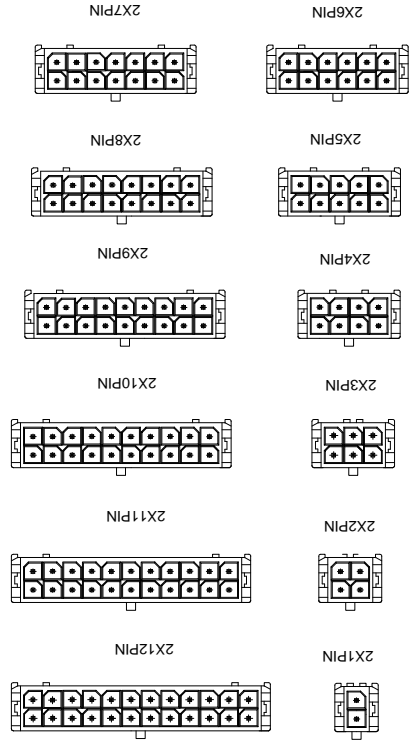
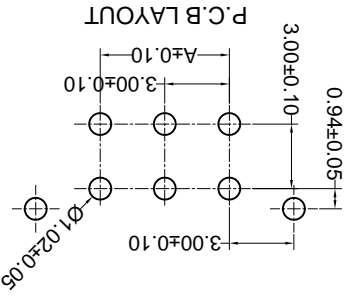
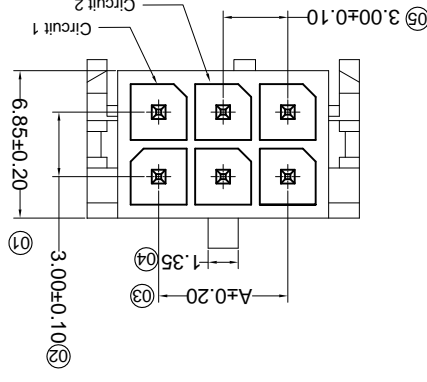
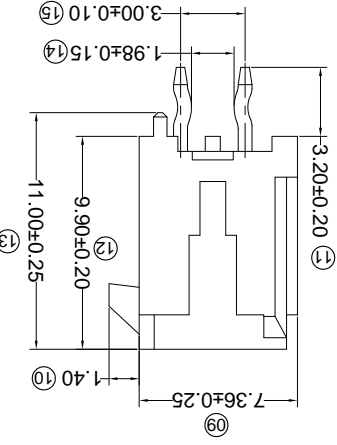
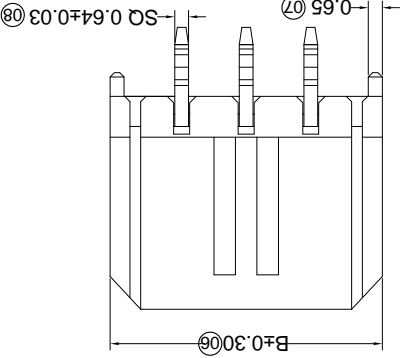
For and on behalf of
XKB INDUSTRIAL PRECISION CO., LIMITED
 香港星坤工業精密有限公司

REVISIONS
 (Authorized Signatures)

MARK	DESCRIPTION	DATE	REVISED	APPROVED	UNSPECIFIED TOLERANCES
△ X					L > 63 ± 0.5
△ X					16 < L ≤ 63 ± 0.4
△ X					4 < L ≤ 16 ± 0.3
					L ≤ 4 ± 0.2
					ANGULAR ± 5°

DATE	SCALE: N/A	MODEL TYPE: X3025WV-2*XX-XXXX
DNSD		
DWN		
CHKD		
APPD		
DATE	VIEW:	PART NO.: 3.00 mm Crimp Style Connectors
DATE	UNIT: mm	DWG NO.:
DATE	SIZE: A4	WEIGHT: 1.0g
		SHEET: 1/1
		REVISION: A0

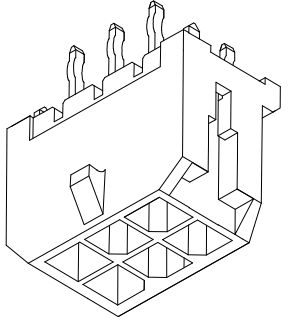
PART NO	Material	Material(Pin)	Finish(Pin)	Mates With XKB Housing
X3025WV-2*XX-PTSN	PBT UL 94V-0	Brass	Tin-Plated	X3025H
X3025WV-2*XX-46SN	PA46 UL 94V-0			
X025WV-2*XX-N0SN	PA66 UL 94V-0			
X3025WV-2*XX-46V01	PA46 UL 94V-0			



Poles	Dimensions (mm)	
	A	B
2*01	---	6.65
2*02	3.00	9.65
2*03	6.00	12.65
2*04	9.00	15.65
2*05	12.00	18.65
2*06	15.00	21.65
2*07	18.00	24.65
2*08	21.00	27.65
2*09	24.00	30.65
2*10	27.00	33.65
2*11	30.00	36.65
2*12	33.00	39.65

- ① Series No. X3025 W V X-2*XX X-XX XX XX ① ② ③ ④ ⑤ ⑥ ⑦ ⑧ ⑨
- ② Category: W-WAFER
 - ③ Welding Board Angle: V-Straight 180°
 - ④ Welding Way: Blank-DIP
 - ⑤ Row No.-Pin No.: 2*XX-2*01P-2*22P
 - ⑥ Plug the Pin & Special No.:
 - ⑦ Material: N0-PA66 94V-0; PT-PBT 94V-0; 46-PA46 94V-0
 - ⑧ Plating Category: SN-Bright Tin Plating; V01-All Gold Flash
 - ⑨ Color: Blank-Natural Color

- Specifications :
- Voltage rating: 250V AC / DC
 - Current rating: 5A AC / DC
 - Withstanding voltage: 1000V AC/minute
 - Temperature range: -25°C~+85°C
 - Insulation resistance: ≥1000MΩ
 - Contact resistance: ≤10mΩ
 - After environmental testing: ≤20mΩ



For and on behalf of
KXB INDUSTRIAL PRECISION CO., LIMITED
 香港星坤工業精密有限公司

Authorized Signatures

MARK	DESCRIPTION	DATE	REVISED	APPROVED	UNSPECIFIED TOLERANCES
△ X					L > 63
△ X					16 > L ≤ 63
△ X					4 < L ≤ 16
△ X					L ≤ 4
					ANGULAR
					± 5°

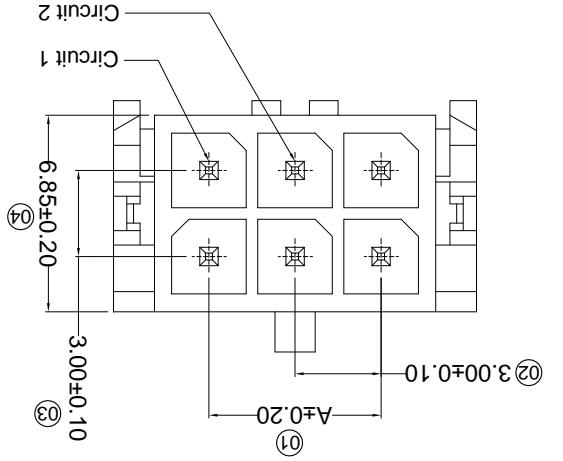
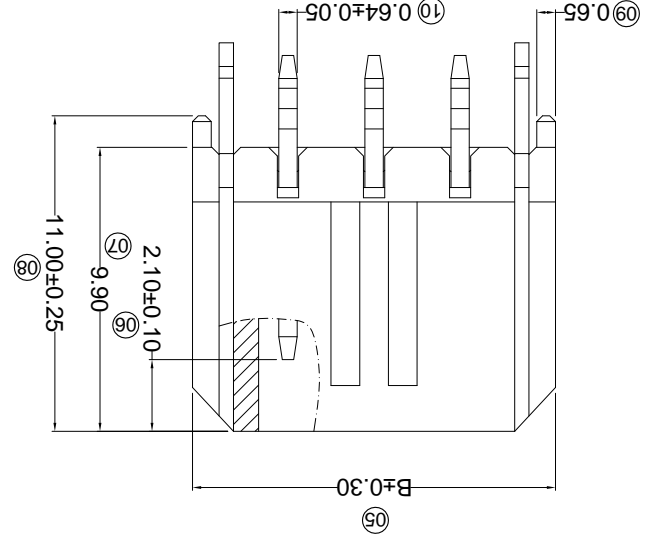
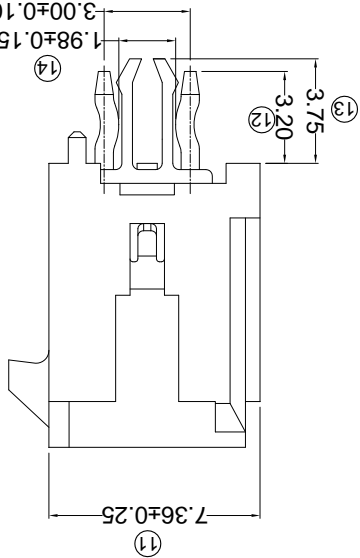
REVISIONS	DATE	REVISED	APPROVED	UNSPECIFIED TOLERANCES
				L > 63
				16 > L ≤ 63
				4 < L ≤ 16
				L ≤ 4
				ANGULAR
				± 5°

MODEL TYPE: X3025WV-2*XXC-XXXX	SCALE: N/A	DATE	DNSD
PART NO.: X3025WV-2*XXC-XXXX	VIEW:	DATE	DWN
DWG NO.: 3.00 mm Crimp Style Connectors	UNIT: mm	DATE	CHKD
	SIZE: A4	DATE	APPD

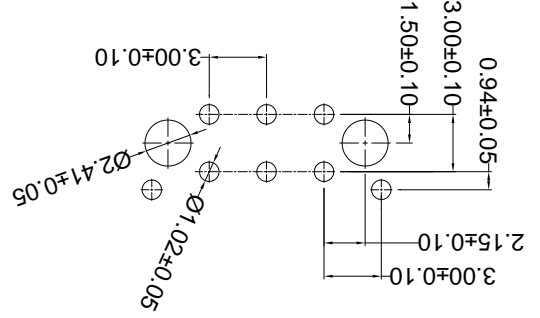
PART NO	Material	Material(Pin)	Finish(Pin)	Mates With
X3025WV-2*XXC-9T5N	Nylon 9T UL 94V-0	Brass	Tin Plating Fog	X3025H
X3025WV-2*XXC-LPSW	LCP UL 94V-0			

Poles	Dimensions (mm)	A	B
02	6.65	--	6.65
04	9.65	3.00	9.65
06	12.65	6.00	12.65
08	15.65	9.00	15.65
10	18.65	12.00	18.65
12	21.65	15.00	21.65
14	24.65	18.00	24.65
16	27.65	21.00	27.65
18	30.65	24.00	30.65
20	33.65	27.00	33.65
22	36.65	30.00	36.65
24	39.65	33.00	39.65

- ① Series No.
- ② Category: W-water
- ③ Welding Board Angle: V-180°
- ④ Welding Way: Blank-DIP
- ⑤ Row No.-Pin No. 2*XX-Double row
- ⑥ Special NO.
- ⑦ Material: LP-LCP 94V-0 9T-PA9T 94V-0
- ⑧ Planting Category: V** All Gold-Plated
- ⑨ *01-Gold Flash : *02-2u" ; *03-3u" ; *05-5u" ; *10-10u" ; *15-15u" ; *30-30u" ; *50-50u"
- ⑩ SN-Bright tin plating 70u"
- ⑪ SN1-Bright tin plating 120u"Min. ;
- ⑫ SW-Fog Tin plating
- ⑬ Color: Blank-natural color



- Specifications :
- Voltage rating: 250V AC / DC
- Current rating: 5A AC / DC
- Withstanding voltage: 1000V AC/minute
- Temperature range: -25°C~+85°C
- Insulation resistance: ≥1000MΩ
- Contact resistance: ≤10mΩ
- After environmental testing: ≤20mΩ



Authorized Signatures

For and on behalf of
XKB INDUSTRIAL PRECISION CO., LIMITED
 香港星坤工業精密有限公司

MARK	DESCRIPTION	DATE	REVISED	APPROVED	UNSPECIFIED TOLERANCES
△ X					L > 63
△ X					16 < L ≤ 63
△ X					4 < L ≤ 16
△ X					L ≤ 4
					ANGULAR
					± 5°

REVISIONS	DATE	REVISED	APPROVED	UNSPECIFIED TOLERANCES
				L > 63
				16 < L ≤ 63
				4 < L ≤ 16
				L ≤ 4
				ANGULAR
				± 5°

DATE	SCALE: N/A	MODEL TYPE: X3025WV-2*XXCN-LPSN

DATE	VIEW:	PART NO.: 3.00 mm Crimp Style Connectors

DATE	FINISH (Pin)	MATERIAL (Pin)	PART NO
	Tin-Plated	Brass	X3025WV-2*XXCN-LPSN

DATE	FINISH (Housing)	MATERIAL (Housing)
	X3025H	

WEIGHT	SHEET	REVISION
1.0g	1/1	A0

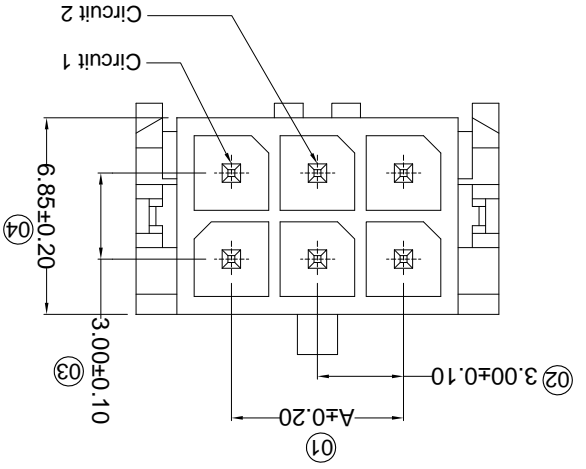
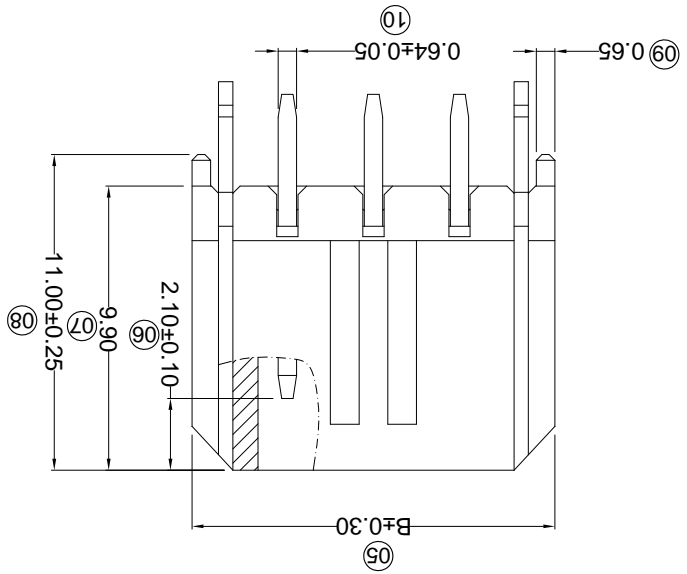
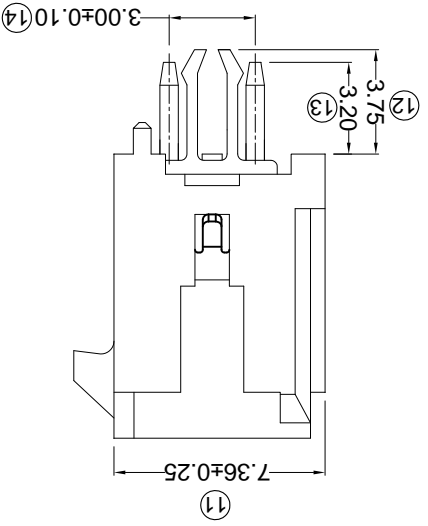
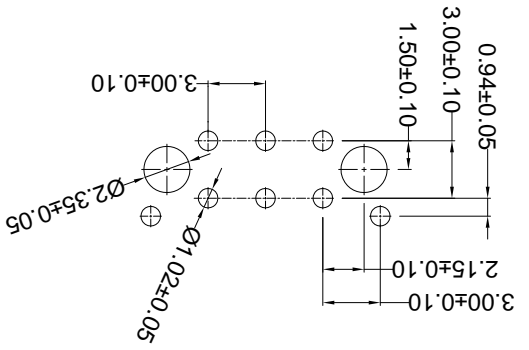
SIZE: A4	DATE	APPD

- Specifications :**
- Voltage rating: 250V AC / DC
 - Current rating: 5A AC / DC
 - Withstanding voltage: 1000V AC/minute
 - Temperature range: -25°C~+85°C
 - Insulation resistance: ≥1000MΩ
 - Contact resistance: ≤10mΩ
 - After environmental testing: ≤20mΩ

X3025 W V X-2*XX CN-LP SN XX

- ① Series No.
- ② Category:
- ③ W-water
- ④ Welding Board Angle:
- ⑤ V-180°
- ⑥ Welding Way:
- ⑦ Blank-DIP
- ⑧ Row No.-Pin No.
- ⑨ 2*XX-Double row
- ⑩ Special NO.
- ⑪ C-The harpoon N-without K the feet
- ⑫ Material:
- ⑬ LP-LCP 94V-0
- ⑭ Planting Category:
- ⑮ V**All Gold-Plated
- ⑯ *01-Gold Flash ; *02-2u" ; *03-3u" ; *05-5u"
- ⑰ *10-10u" ; *15-15u" ; *30-30u" ; *50-50u"
- ⑱ SN-Bright tin plating 70u"
- ⑲ SN1-Bright tin plating 120u"Min. ;
- ⑳ SW-Fog Tin plating
- ㉑ Color:
- ㉒ Blank-natural color

P.C.B LAYOUT



For and on behalf of
KXB INDUSTRIAL PRECISION CO., LIMITED
 香港星坤工業精密有限公司

MARK	DESCRIPTION	DATE	REVISED	APPROVED	UNSPECIFIED TOLERANCES
△ X					L > 63
△ X					16 < L ≤ 63
△ X					4 < L ≤ 16
△ X					L ≤ 4
					ANGULAR

REVISIONS	DATE	REVISIONS	DATE	REVISIONS	DATE
APPROVED		REVISED		APPROVED	

REVISION	SHEET	WEIGHT	1.0g
A0	1/1		

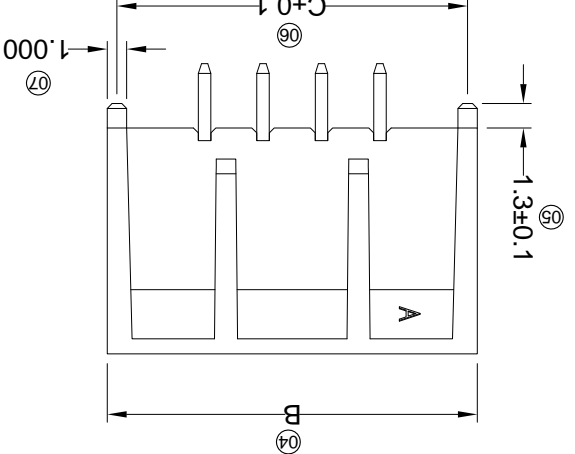
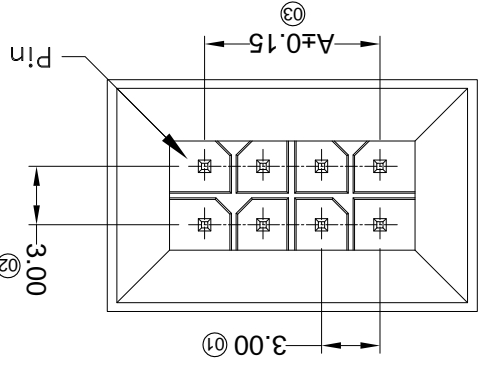
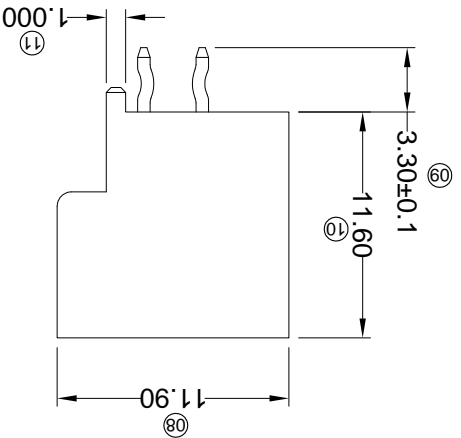
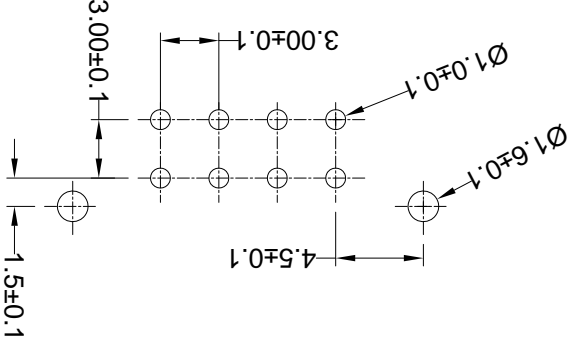
Part No.	X3025WV-2*XXH-LPSN	Material	LCP UL 94V-0	Material(Pin)	Brass	Finish(Pin)	Tin-Plated
Material		Material(Pin)		Material		Finish(Pin)	
Material		Material(Pin)		Material		Finish(Pin)	
Material		Material(Pin)		Material		Finish(Pin)	

Poles	A	B	C
04	3.00	13.00	12.00
06	6.00	16.00	15.00
08	9.00	19.00	18.00
10	12.00	22.00	21.00
12	15.00	25.00	24.00
14	18.00	28.00	27.00
16	21.00	31.00	30.00
18	24.00	34.00	33.00
20	27.00	37.00	36.00
22	30.00	40.00	39.00
24	33.00	43.00	42.00

- ① Series No.
- ② Category: W-water
- ③ Welding Board Angle: V-180°
- ④ Welding Way: Blank-DIP
- ⑤ Row No.-Pin No.
- ⑥ 2*XX-Double row
- ⑦ Special NO.
- ⑧ H-Arrange ushering with positioning column
- ⑦ Material: LP-LCP 94V-0
- ⑧ Planting Category: V**All Gold-Plated
- ⑧ **Gold-Plated Contact
- ⑧ *01-Gold Flash ; *02-2u" ; *03-3u" ; *05-5u"
- ⑧ *10-10u" ; *15-15u" ; *30-30u" ; *50-50u"
- ⑧ SN-Bright tin plating 70u"
- ⑧ SN1-Bright tin plating 120u"Min. ;
- ⑧ SW-Fog Tin plating
- ⑧ Color: Blank-natural color

X3025W V X-2*XXH-LPSNXX
 ① ② ③ ④ ⑤ ⑥ ⑦ ⑧ ⑨

PCB Layout: Component side



- Specifications :
- Voltage rating: 250V AC / DC
 - Current rating: 5A AC / DC
 - Withstanding voltage: 1000V AC/minute
 - Temperature range: -25°C~+85°C
 - Insulation resistance: ≥1000MΩ
 - Contact resistance: ≤10mΩ
 - After environmental testing: ≤20mΩ

REVISIONS
Authorized Signatures(s)

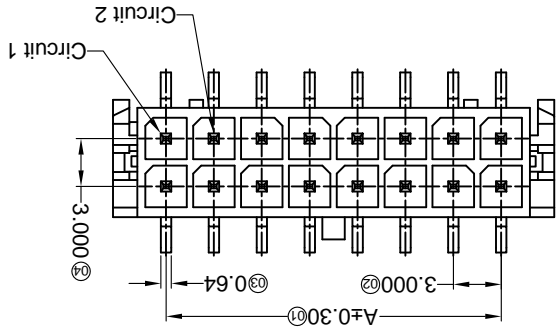
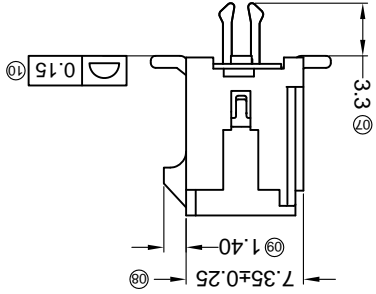
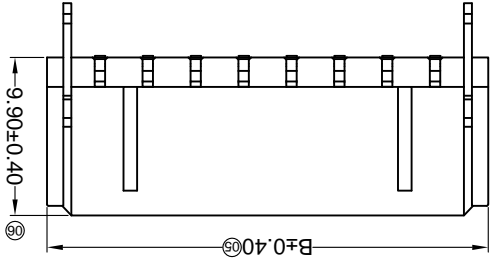
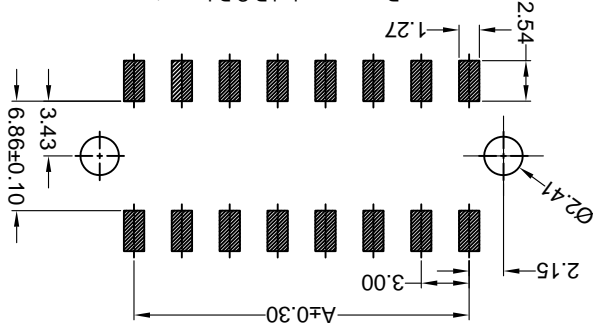
MARK	DESCRIPTION	DATE	REVISED	APPROVED	UNSPECIFIED TOLERANCES
△ X					L > 63
△ X					16 < L ≤ 63
△ X					4 < L ≤ 16
△ X					L ≤ 4
					ANGULAR
					± 5°

For and on behalf of
XKB INDUSTRIAL PRECISION CO., LIMITED
香港星坤工業精密有限公司

XKB INDUSTRIAL PRECISION CO., LIMITED

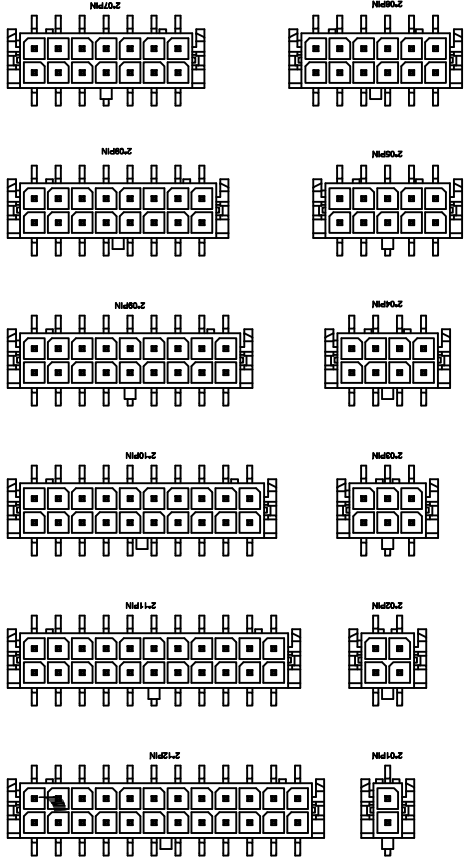
WEIGHT	1.0g
SHEET	1/1
REVISION	A0
DATE	
DATE	
DATE	
DATE	
SCALE: N/A	
MODEL TYPE:	X3025WVS-2*XXC-LPXX
PART NO.:	
VIEW:	
UNIT: mm	
SIZE: A4	
DWG NO.:	3.00 mm Crimp Style Connectors

Recommended P.C.B Layout
General Tolerance±0.05



PART NO	Material	Material (Pn)	Finish (Pn)	Material (Pn)	Material (Pn)	Material (Pn)	Material (Pn)
X3025WVS-2*XXC-LPXX	LCP UL 94V-0	Brass	Tin-Plated	Brass	Tin-Plated	Brass	Tin-Plated
X3025WVS-2*XXC-LPXX	LCP UL 94V-0	Brass	Tin-Plated	Brass	Tin-Plated	Brass	Tin-Plated

Poles	Dimensions(mm)	Dimensions(mm)
2*06	15.00	21.65
2*05	12.00	18.65
2*04	9.00	15.65
2*03	6.00	12.65
2*02	3.00	9.65
2*01	---	6.65
A	18.00	2*07
B	24.65	18.00



- ① Series No.
- ② Category: W-water
- ③ Welding Board Angle: V- Straight 180°
- ④ Welding Way: S-SMT
- ⑤ Row No-Pin No.: 2*XX-2*01P-2*12P
- ⑥ Plug the Pin & Special No.: C-The Harpoon
- ⑦ Material: LP-LCP 94V-0
- ⑧ Plating Category:
- ⑨ SN-Bright tin plating: SW-Matte Tin plating
- ⑩ Color: Blank-Natural color

X3025 W V S-2*XX C-LP XX XX

- Specifications :
- Voltage rating: 250V AC / DC
- Current rating: 5A AC / DC
- Withstanding voltage: 1000V AC/minute
- Temperature range: -25°C~+85°C
- Insulation resistance: ≥1000MΩ
- Contact resistance: ≤10mΩ
- After environmental testing: ≤20mΩ

REVISIONS
Authorized Signatures(s)

MARK	DESCRIPTION	DATE	REVISED	APPROVED	UNSPECIFIED TOLERANCES
△ X					L > 63
△ X					16 > L ≤ 63
△ X					4 < L ≤ 16
					L ≤ 4
					ANGULAR

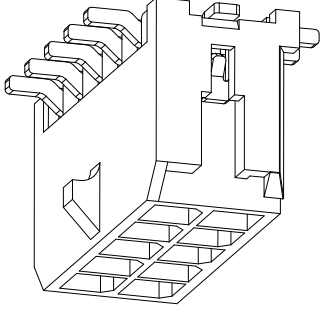
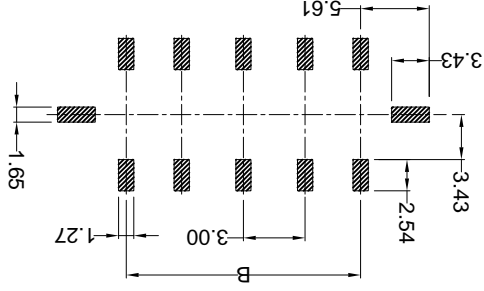
For and on behalf of
KXB INDUSTRIAL PRECISION CO., LIMITED
香港星坤工業精密有限公司

KXB INDUSTRIAL PRECISION CO., LIMITED

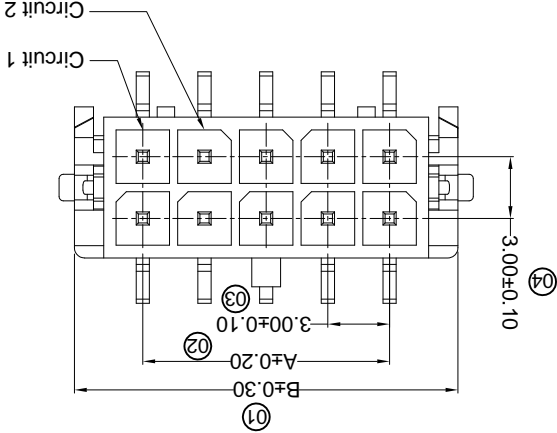
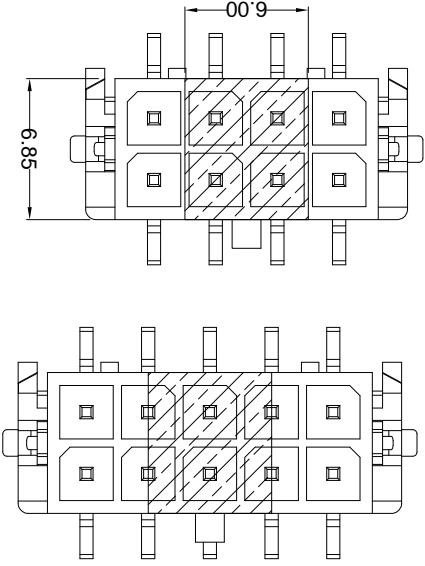
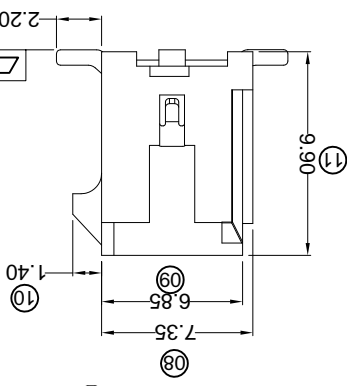
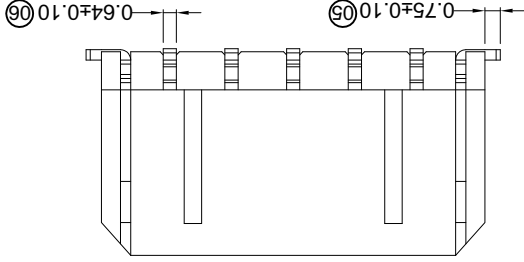
WEIGHT	1.0g
SHEET	1/1
REVISION	A0
SIZE:	A4
UNIT:	mm
VIEW:	
SCALE:	N/A
MODEL TYPE:	X3025WVS-2*XXD-LPSW
PART NO.:	
DWG NO.:	3.00 mm Crimp Style Connectors

PART NO	Material	Material(Pin)	Finish(Pin)	(Solder Tabs) Material	(Solder Tabs) Finish	Mates With KXB Housing
X3025WVS-2*XXD-LPSW	LCP UL 94V-0	Brass	Matte tin	Brass	Matte tin	X3025H

P.C.B. LAYOUT



Poles	Dimensions(mm)	
	A	B
2*01	---	6.65
2*02	3.00	9.65
2*03	6.00	12.65
2*04	9.00	15.65
2*05	12.00	18.65
2*06	15.00	21.65
Poles <th colspan="2">Dimensions(mm)</th>	Dimensions(mm)	
	A	B
2*01	18.00	2*07
2*02	21.00	2*08
2*03	24.00	2*09
2*04	27.00	2*10
2*05	30.00	2*11
2*06	33.00	2*12



- ① Series No.
- ② Category: W-water
- ③ Weiding Board Angle: V- Stright 180°
- ④ Weiding Way: S-SMT
- ⑤ Row No.-Pin No.: 2*XX-2*01P-2*12P
- ⑥ Plug the Pin & Special No.: D-Solder Tabs
- ⑦ Material: LP-LCP 94V-0
- ⑧ Planting Category:
- ⑨ SN-Bright tin plating ; SW-Matte Tin plating
- ⑩ Color: Blank-Natural color

X3025 W V S-2*XX D-LP XX XX

- Voltage rating: 250V AC / DC
- Current rating: 5A AC / DC
- Withstanding voltage: 1000V AC/minute
- Temperature range: -25°C~+85°C
- Insulation resistance: ≥1000MΩ
- Contact resistance: ≤10mΩ
- After environmental testing: ≤20mΩ

Specifications :

X-ON Electronics

Largest Supplier of Electrical and Electronic Components

Click to view similar products for [Headers & Wire Housings](#) category:

Click to view products by [XKB](#) manufacturer:

Other Similar products are found below :

[95000-104TRLF](#) [10135584-644402LF](#) [DF62W-EP2022PCA](#) [95000-106TRLF](#) [DF62W-2022SCA](#) [DF62W-EP2022PC](#) [2203348](#) [DF62W-2022SC](#) [1084018](#) [1029039](#) [1084017](#) [802-10-012-10-002000](#) [1112640](#) [1112639](#) [891-007-9SS-BST1T](#) [000-34000](#) [0008550134](#) [0009482033](#) [0009507031](#) [57102-F02-18ULF](#) [57102-S06-03LF](#) [57202-S52-04LF](#) [PCN6-15S-2.5E](#) [0039019024](#) [58102-G61-06LF](#) [582553-1](#) [0009485154](#) [0009508121](#) [0022285053](#) [0050291907](#) [018731A](#) [LY20-4P-DT1-P1E-BR](#) [02.125.8002.8](#) [60101931](#) [60598-1 \(Cut Strip\)](#) [M1625-3R/100](#) [61062-3](#) [61082-181009](#) [CSU011177004](#) [636-1427](#) [638009-1](#) [641938-9](#) [641991-4](#) [644168-1](#) [644827-2](#) [647662-1](#) [65039-019ELF](#) [65692-001LF](#) [65781-018](#) [65781-047](#)