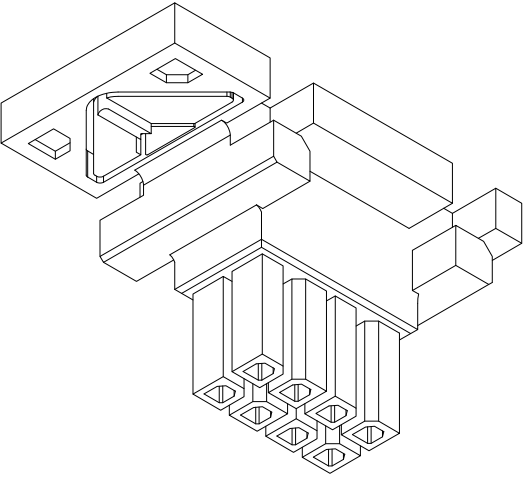
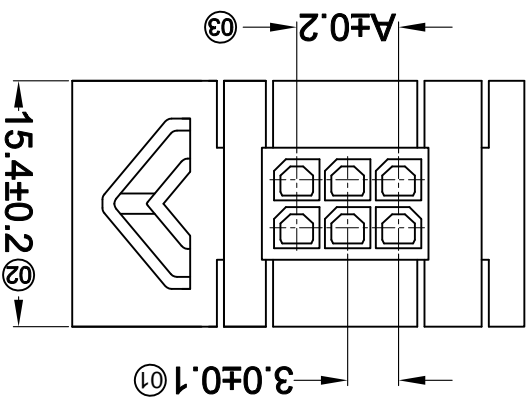
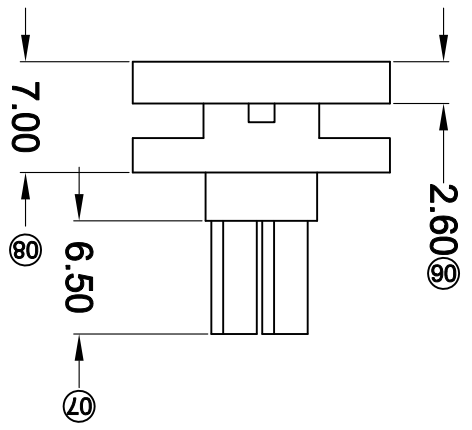
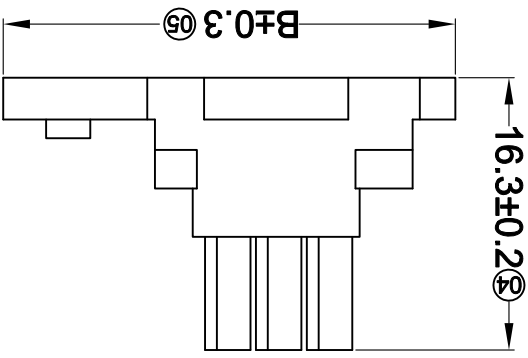


For and on behalf of
KKB INDUSTRIAL PRECISION CO., LIMITED
 香港星坤工業精密有限公司

MARK	DESCRIPTION	DATE	REVISED	APPROVED	UNSPECIFIED TOLERANCES
△ X					L > 63
△ X					16 < L ≤ 63
△ X					4 < L ≤ 16
					L ≤ 4
					ANGULAR
					± 5°

DATE	DATE	DATE	DATE	DATE	DATE
DSND	DWN	CHKD	APPD		
SCALE: N/A	VIEW:	UNIT: mm	SIZE: A4		

WEIGHT	SHEET	REVISION
1.0g	1/1	A0

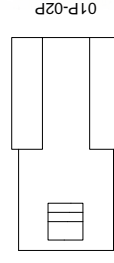
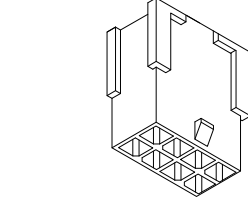
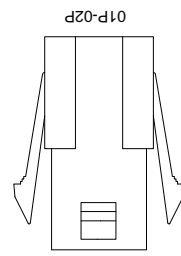
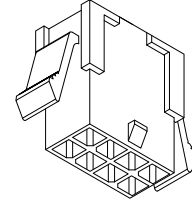
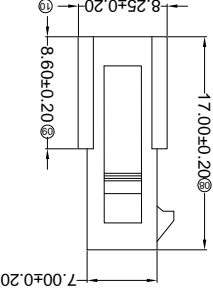
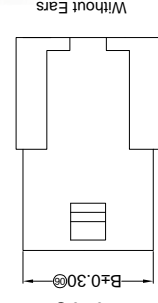
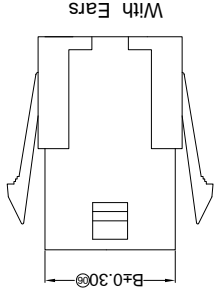
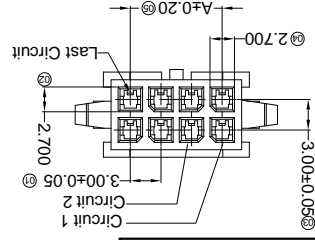


Poles	Dimensions(mm)	
	A	B
2*02	3.00	24.85
2*03	6.00	27.85
2*04	9.00	30.85
2*05	12.00	33.85
2*06	15.00	36.85
2*07	18.00	39.85

- ① Series No.
- ② Category: H-HSG
- ③ Welding Board Angle: F-Female HSG
- ④ Row No.-Pin No.: 2*XX-2*02P~2*12P
- ⑤ Plug the Pin & special No.: WS-With Base
- ⑥ Material: N2-PA66 94V-2;
- ⑦ Color: Blank-natural color

X3025 H F-2*XX WS-N2 XX

- Specifications :
- Voltage rating: 250V AC / DC
 - Current rating: 5A AC / DC
 - Withstanding voltage: 1500V AC/minute
 - Temperature range: -25°C~+85°C
 - Insulation resistance: ≥1000MΩ
 - Contact resistance: ≤10mΩ
 - After environmental testing: ≤17mΩ



For and on behalf of
XKB INDUSTRIAL PRECISION CO., LIMITED
 香港星坤工業精密有限公司

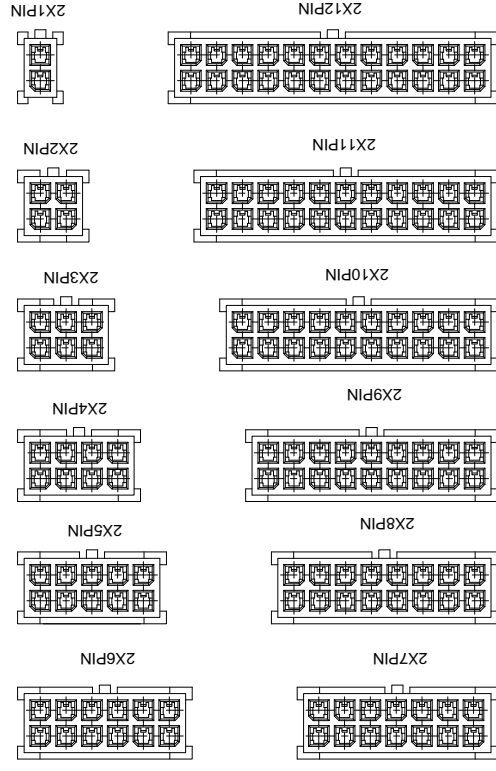
REVISIONS
 (Unauthorized Signature(s))

MARK	DESCRIPTION	DATE	REVISED	APPROVED	UNSPECIFIED TOLERANCES
△ X					L > 63 ±0.5
△ X					16 < L ≤ 63 ±0.4
△ X					4 < L ≤ 16 ±0.3
△ X					L ≤ 4 ±0.2
					ANGULAR ±5°

DSND	DATE	SCALE: N/A	MODEL TYPE: X3025HF-2*XX-N2
DWN	DATE	VIEW:	PART NO.: 3.00 mm Crimp Style Connectors
CHKD	DATE	UNIT: mm	DWG NO.:
APPD	DATE	SIZE: A4	

PART NO	Material	Suitable SWB Terminal	Mates With XKB Housing	Note
X3025HF-2*XXG-N2	Nylon 66 94V-2	X3025TM	X3025HM	With Ears
X3025HF-2*XXI-N2	Nylon 66 94V-2	X3025TM	X3025HM	Without Ears

Poles	Dimensions(mm)		Poles	Dimensions(mm)	
	A	B		A	B
2*01	18.00	22.00	2*07	4.00	2.07
2*02	3.00	7.00	2*08	7.00	2.08
2*03	6.00	10.00	2*09	10.00	2.09
2*04	9.00	13.00	2*10	13.00	2.10
2*05	12.00	16.00	2*11	16.00	2.11
2*06	15.00	19.00	2*12	19.00	2.12



- ① Series No.
 ② Category: H-HSG
 ③ Welding Board Angle: F-Female HSG
 ④ Row No.-Pin No.: 2*XX-2*01P-2*12P
 ⑤ Plug the Pin & special No.: I-Without Ears
 G-With Ears
 ⑥ Material: N2-PA66 94V-2;
 Color: Blank-Natural Color
 ⑦ Color: Blank-Natural Color

- Specifications:
 • Voltage rating: 250V AC / DC
 • Current rating: 5A AC / DC
 • Withstanding voltage: 1000V AC/minute
 • Temperature range: -25°C~+85°C
 • Insulation resistance: ≥1000MΩ
 • Contact resistance: ≤10mΩ
 • After environmental testing: ≤20mΩ

X3025 H F-2*XX XX-N2 XX

① ② ③ ④ ⑤ ⑥ ⑦

① Series No.

② Category: H-HSG

③ Welding Board Angle: F-Female HSG

④ Row No.-Pin No.: 2*XX-2*01P-2*12P

⑤ Plug the Pin & special No.: I-Without Ears

G-With Ears

⑥ Material: N2-PA66 94V-2;

Color: Blank-Natural Color

⑦ Color: Blank-Natural Color

For and on behalf of
XKB INDUSTRIAL PRECISION CO., LIMITED
 香港星坤工業精密有限公司

MARK	DESCRIPTION	DATE	REVISIONS	UNSPECIFIED TOLERANCES
△ X				L > 63 ±0.5
△ X				16 > L ≤ 63 ±0.4
△ X				4 < L ≤ 16 ±0.3
				L ≤ 4 ±0.2
				ANGULAR ±5°

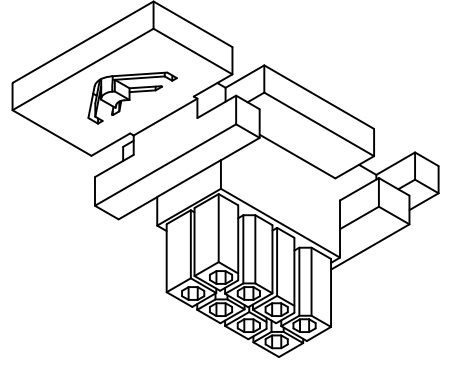
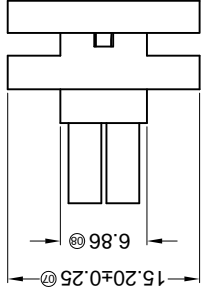
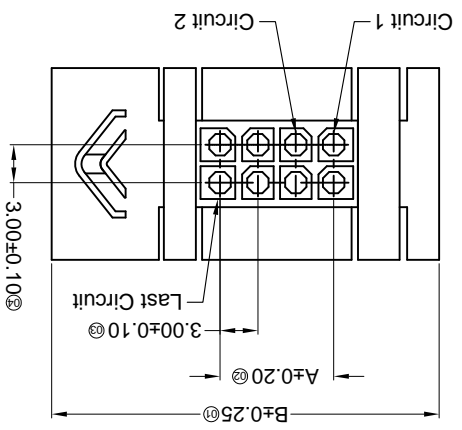
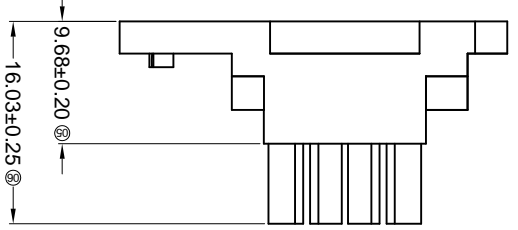
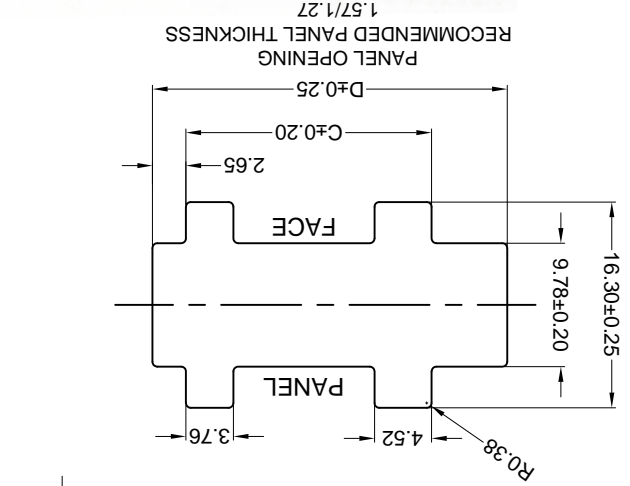
REVISIONS	DATE	REVISOR	DESCRIPTION
1			

DATE	SCALE: N/A	MODEL TYPE: X3025HM-2*XXWS-N2

DATE	VIEW:	PART NO.: 3.00 mm Crimp Style Connectors

DATE	UNIT: mm	DWG NO.:

DATE	SIZE: A4	WEIGHT: 1.0g



PART NO	Material	Suitable SWB Terminal	Mates With XKB Wafer
X3025HM-2*XXWS-N2	Nylon 66 94V-2	X3025TF	X3025W

Poles	A	B	C	D
2*02	3.00	24.60	13.46	22.10
2*03	6.00	27.70	16.46	25.10
2*04	9.00	30.70	19.46	28.10
2*05	12.00	33.80	22.46	31.10
2*06	15.00	36.80	25.46	34.10
2*07	18.00	39.90	28.46	37.10
2*08	21.00	42.90	31.46	40.10
2*09	24.00	46.00	34.46	43.10
2*10	27.00	49.00	37.46	46.10
2*11	30.00	51.80	40.46	49.10
2*12	33.00	54.90	43.46	52.10

- ① Series No.
- ② Category: H-HSG
- ③ Welding Board Angle: M-Male HSG
- ④ Row No.-Pin No.: 2*XX-2*02P~2*10P
- ⑤ Plug the Pin & special No.: WS-With Base
- ⑥ Material: N2-PA66 94V-2;
- ⑦ Color: Blank-natural color Black

X3025 H M-2*XX WS-N2 XX

- Specifications :
- Voltage rating: 250V AC / DC
- Current rating: 5A AC / DC
- Withstanding voltage: 1500V AC/minute
- Temperature range: -25°C~+85°C
- Insulation resistance: ≥1000MΩ
- Contact resistance: ≤10mΩ
- After environmental testing: ≤20mΩ

REVISIONS
Authorized Signatures(s)

MARK	DESCRIPTION	DATE	REVISED	APPROVED	UNSPECIFIED TOLERANCES
△ X					L > 63
△ X					16 < L ≤ 63
△ X					4 < L ≤ 16
					L ≤ 4
					ANGULAR

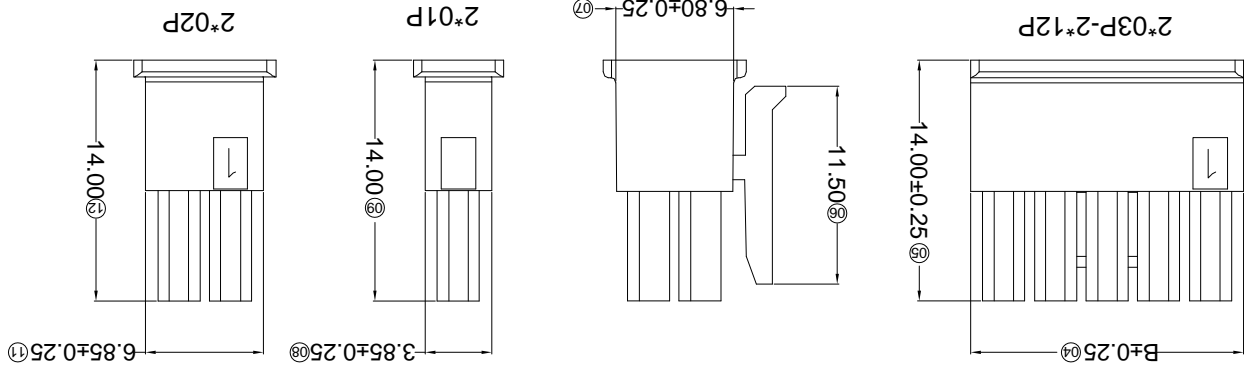
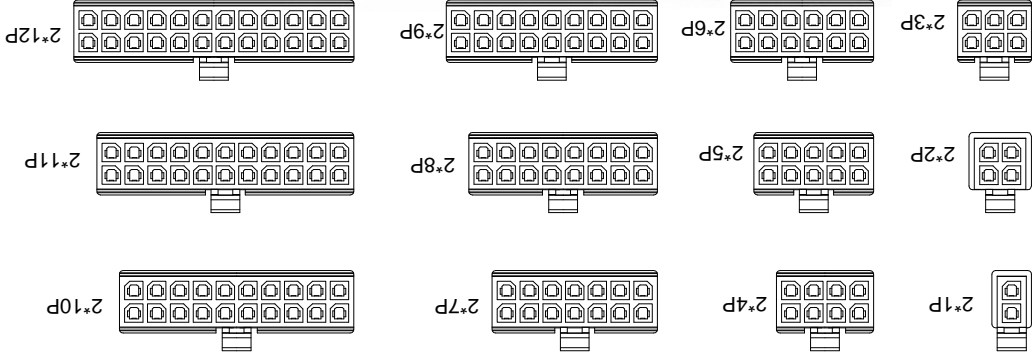
For and on behalf of
KXB INDUSTRIAL PRECISION CO., LIMITED
香港星坤工業精密有限公司

KXB INDUSTRIAL PRECISION CO., LIMITED

MODEL TYPE: X3025HM-2*XX-N2	SCALE: N/A	DATE	DATE	DATE	DATE
PART NO.:	VIEW:	DATE	DATE	DATE	DATE
3.00 mm Crimp Style Connectors		UNIT: mm	DATE	DATE	DATE
DWG NO.:		SIZE: A4	DATE	DATE	DATE
WEIGHT	SHEET	REVISION			
1.0g	1/1	A0			

PART NO	Material	Suitable SWB Terminal	Part No
X3025HM-2*XX-N2	Nylon 66 94V-2	X3025TF	X3025W
			Mates With XKB Water

Poles	Dimensions(mm)		Poles	Dimensions(mm)	
	A	B		A	B
2*01	2*07	18.00	2*01	2*07	21.85
2*02	3.00	24.00	2*02	2*08	24.85
2*03	6.00	27.85	2*03	2*09	27.85
2*04	9.00	30.85	2*04	2*10	30.85
2*05	12.00	33.85	2*05	2*11	33.85
2*06	15.00	36.85	2*06	2*12	36.85



X3025 H M-2*XX XX-N2 XX

① Series No.

② Category: H-HSG

③ Welding Board Angle: M-Male HSG

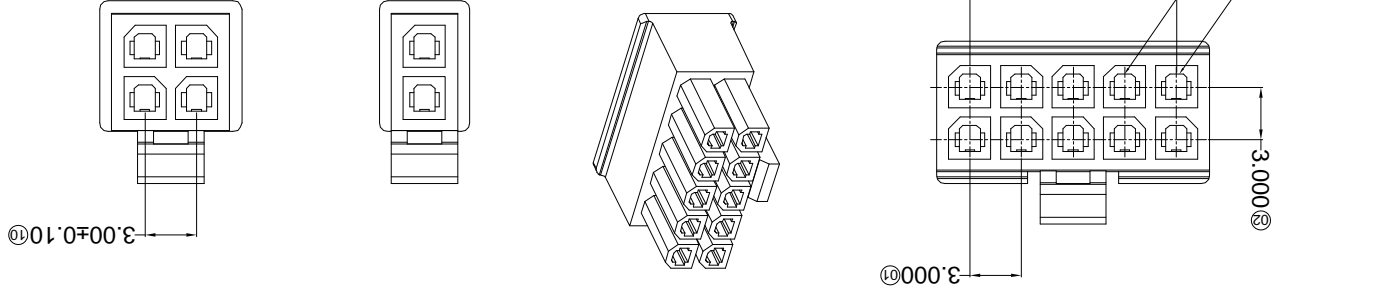
④ Row No.-Pin No.: 2*XX-2*01P~2*12P

⑤ Plug the Pin & special No.:

⑥ Material: N2-PA66 94V-2;

⑦ Color: Blank-Natural Color

- Specifications:
- Voltage rating: 250V AC / DC
 - Current rating: 5A AC / DC
 - Withstanding voltage: 1000V AC/minute
 - Temperature range: -25°C~+85°C
 - Insulation resistance: ≥1000MΩ
 - Contact resistance: ≤10mΩ
 - After environmental testing: ≤20mΩ



For and on behalf of
KXB INDUSTRIAL PRECISION CO., LIMITED
 香港星坤工業精密有限公司

MARK	DESCRIPTION	DATE	REVISIONS	UNSPECIFIED TOLERANCES
△ X				ANGULAR ±5°
△ X				L ≤ 4 ±0.2
△ X				4 < L ≤ 16 ±0.3
				16 < L ≤ 63 ±0.4
				L > 63 ±0.5

REVISIONS	DATE	DESCRIPTION	UNSPECIFIED TOLERANCES
APPROVED			
REVISED			

MARK	DESCRIPTION	DATE	REVISIONS
△ X			
△ X			
△ X			

MARK	DESCRIPTION	DATE	REVISIONS
△ X			
△ X			
△ X			

MARK	DESCRIPTION	DATE	REVISIONS
△ X			
△ X			
△ X			

MARK	DESCRIPTION	DATE	REVISIONS
△ X			
△ X			
△ X			

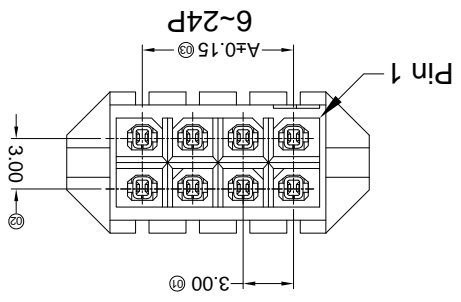
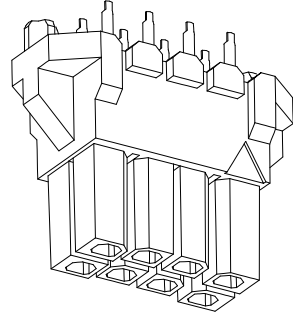
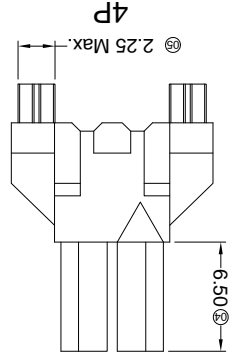
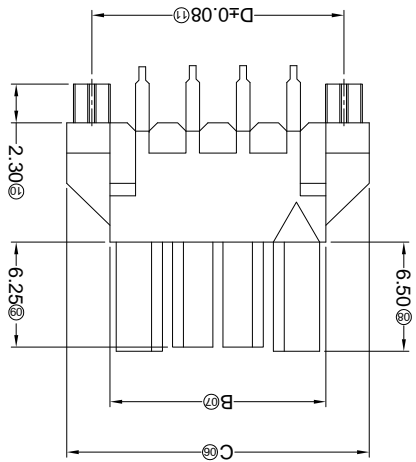
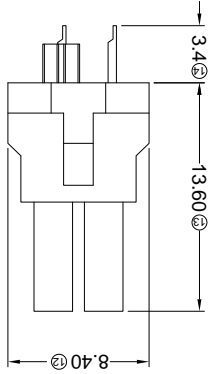
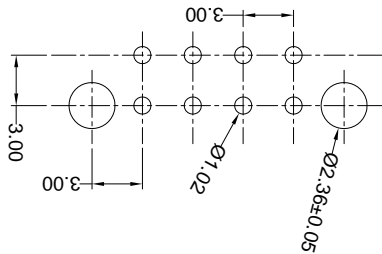
MARK	DESCRIPTION	DATE	REVISIONS
△ X			
△ X			
△ X			

MARK	DESCRIPTION	DATE	REVISIONS
△ X			
△ X			
△ X			

Part No.	Material	Material(Pin)	Finish(Pin)	Mates With KXB Housing
X3025HV-2*XX-LPSN	LCP UL 94V-0	Brass	Tin-Plated	X3025HW or 3025H

Poles	A	B	C	D
2*02	3.00	6.85	12.00	9.00
2*03	6.00	9.85	15.00	12.00
2*04	9.00	12.85	18.00	15.00
2*05	12.00	15.85	21.00	18.00
2*06	15.00	18.85	24.00	21.00
2*07	18.00	21.85	27.00	24.00
2*08	21.00	24.85	30.00	27.00
2*09	24.00	27.85	33.00	30.00
2*10	27.00	30.85	36.00	33.00
2*11	30.00	33.85	39.00	36.00
2*12	33.00	36.85	42.00	39.00

Recommended P.C.B Layout



- ① Series No. X3025 H V-2*XX LP SN XX
- ② Category: H-HSG
- ③ Welding Board Angle: BOARD-IN: V-180°
- ④ Row No.-Pin No.: 2*XX-2*02P~2*12P
- ⑤ Plug the Pin & special No.:
- ⑥ Material: LP-LCP 94V-0;
- ⑦ Plating Category: SN-Bright tin plating
- ⑧ Color: Blank-Natural Color
- Specifications:
- Voltage rating: 250V AC / DC
 - Current rating: 5A AC / DC
 - Withstanding voltage: 1000V AC/minute
 - Temperature range: -25°C~+85°C
 - Insulation resistance: ≥1000MΩ
 - Contact resistance: ≤10mΩ
 - After environmental testing: ≤20mΩ

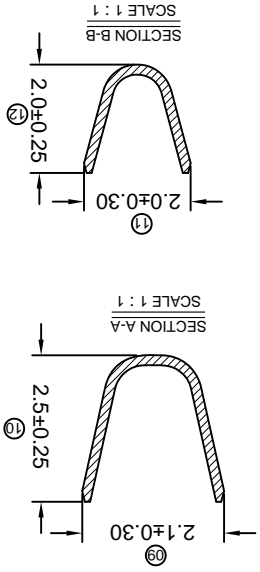
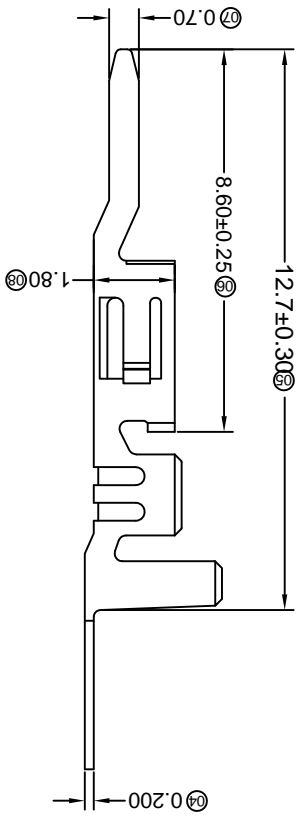
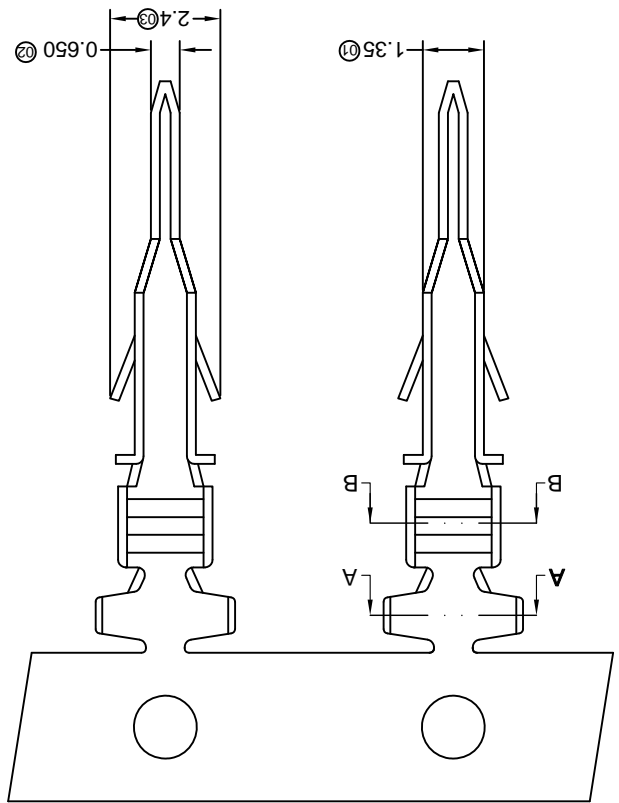
REVISIONS
Authorized Signature(s)

For and on behalf of
KXB INDUSTRIAL PRECISION CO., LIMITED
香港星坤工業精密有限公司

MARK	DESCRIPTION	DATE	REVISED	APPROVED	UNSPECIFIED TOLERANCES
△ X					L > 63
△ X					16 > L ≤ 63
△ X					4 < L ≤ 16
△ X					L ≤ 4
					ANGULAR ± 5°

DATE	SCALE: N/A	MODEL TYPE: X3025TM-PXX
DATE	VIEW:	PART NO.:
DATE	UNIT: mm	DWG NO.:
DATE	SIZE: A4	REVISION
DATE		SHEET
DATE		1/1
DATE		WEIGHT
DATE		1.0g

PART NO	Material	Wire Range	Insulation O.D.	Finish
X3025TM-PSN	Phosphor Bronze	AWG#20-24	1.85mm(Max)	Stamping Before Plating:30u" Ni;70u" Sn
X3025TM-PG01				Stamping Before Plating:30u" Ni>Contact Area Gold Flash
X3025TM-PG15				Stamping Before Plating:30u" Ni>Contact Area Gold:15u" Min.
X3025TM-PG30				Stamping Before Plating:30u" Ni>Contact Area Gold:30u" Min.



- Specifications :**
- Voltage rating: 250V AC / DC
 - Current rating: 5A AC / DC
 - Withstanding voltage: 1000V AC/minute
 - Temperature range: -25°C~+85°C
 - Insulation resistance: ≥1000MΩ
 - Contact resistance: ≤10mΩ
 - After environmental testing: ≤20mΩ
- X3025 T-M-P XX X-X**
- ① Series Number
 - ② Category: T-terminal
 - ③ Shape: M-Male Terminal
 - ④ Material: P-Phosphor bronze
 - ⑤ Plating style: G-Gold-Plated Contact
 - ⑥ SN-Bright tin plating 70u"
 - ⑦ *01-Gold Flash *15-15u" *30-30u"
 - ⑧ Plating method: Blank-Stamping before plating
 - ⑨ Mold No./Mark/Special No.

DATE	SCALE: N/A	MODEL TYPE: X3025TM-PXX
DATE	VIEW:	PART NO.:
DATE	UNIT: mm	DWG NO.:
DATE	SIZE: A4	REVISION
DATE		SHEET
DATE		1/1
DATE		WEIGHT
DATE		1.0g

For and on behalf of
KKB INDUSTRIAL PRECISION CO., LIMITED
 香港星坤工業精密有限公司

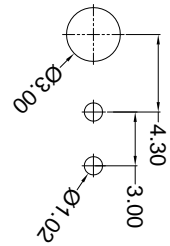
REVISIONS
 Authorized Signatures(s)

MARK	DESCRIPTION	DATE	REVISED	APPROVED	UNSPECIFIED TOLERANCES
△ X					L > 63 ± 0.5
△ X					16 > L ≤ 63 ± 0.4
△ X					4 < L ≤ 16 ± 0.3
					L ≤ 4 ± 0.2
					ANGULAR ± 5°

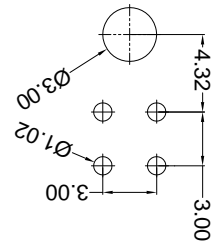
DATE	SCALE: N/A	MODEL TYPE: X3025WR-2*XX-N0XXX	VIEW:	DATE	DATE	DATE	SIZE: A4	WEIGHT: 1.0g	SHEET: 1/1	REVISION: A0
DNSD										
DWN										
CHKD										
APPD										

Part No.	Material	Material(Pin)	Finish(Pin)	Mates With KKB Housing
X3025WR-2*XX-N0G01	Nylon 66 UL 94V-0	Brass	Tin-Plated	X3025H
X3025WR-2*XX-N0SN	Nylon 66 UL 94V-0	Brass	Contact Gold	

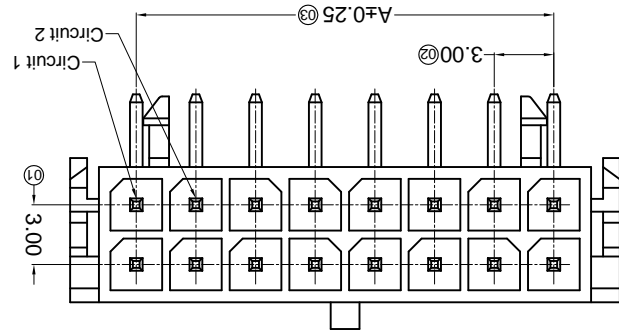
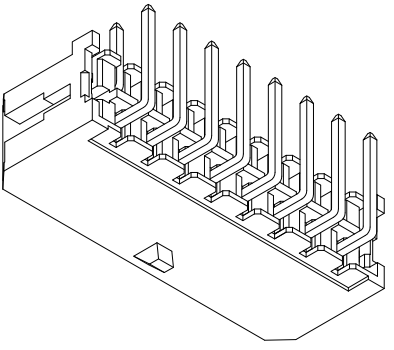
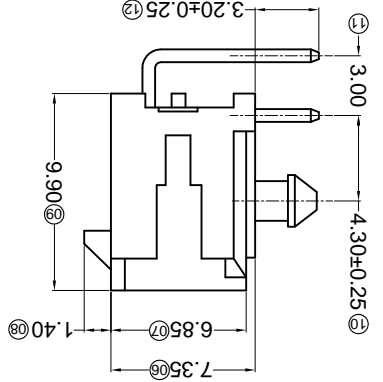
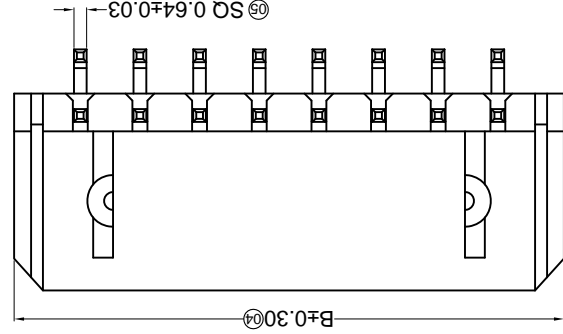
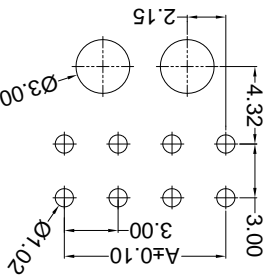
2P P.C.B LAYOUT



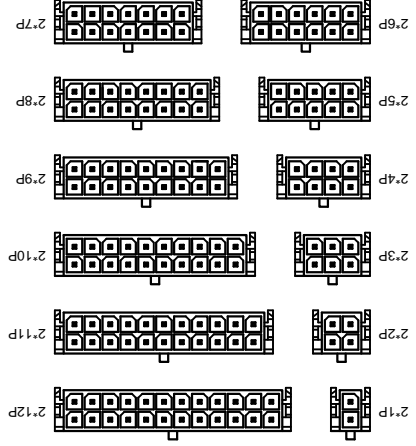
4P-6P P.C.B LAYOUT



8P-24P P.C.B LAYOUT



Scale 1:3



Dimensions (mm)	A	B
2*01	---	6.65
2*02	3.00	9.65
2*03	6.00	12.65
2*04	9.00	15.65
2*05	12.00	18.65
2*06	15.00	21.65
2*07	18.00	24.65
2*08	21.00	27.65
2*09	24.00	30.65
2*10	27.00	33.65
2*11	30.00	36.65
2*12	33.00	39.65

- ① Series No.
- ② Category: W-water
- ③ Welding Board Angle: R-90°
- ④ Welding Way: Blank-DIP
- ⑤ Row No.-Pin No.: 2*XX-2*01P-2*12P
- ⑥ Special NO.:
- ⑦ Material: N0-PA66 94V-0
- ⑧ Plating Category: G01-Contact Gold Flash
- ⑨ Color: Blank-natural color
- ⑩ SN-Bright tin plating
- ⑪ X3025 W R X-2*XX X-N0 XX XX
- ⑫ ⑬ ⑭ ⑮ ⑯ ⑰ ⑱ ⑲ ⑳ ㉑ ㉒ ㉓ ㉔ ㉕ ㉖ ㉗ ㉘ ㉙ ㉚ ㉛ ㉜ ㉝ ㉞ ㉟ ㊱ ㊲ ㊳ ㊴ ㊵ ㊶ ㊷ ㊸ ㊹ ㊺ ㊻ ㊼ ㊽ ㊾ ㊿

- Specifications:
- Voltage rating: 250V AC / DC
- Current rating: 5A AC / DC
- Withstanding voltage: 1000V AC/minute
- Temperature range: -25°C~+85°C
- Insulation resistance: ≥1000MΩ
- Contact resistance: ≤10mΩ
- After environmental testing: ≤20mΩ

REVISIONS
Unauthorized Signatures(s)

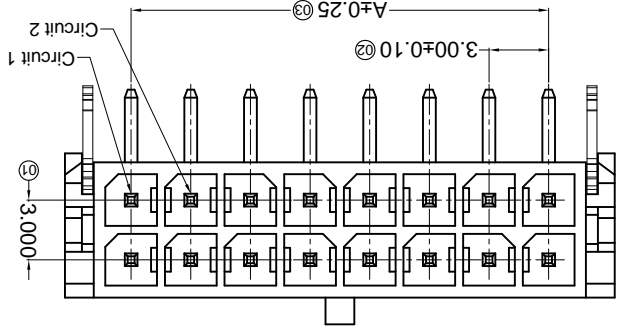
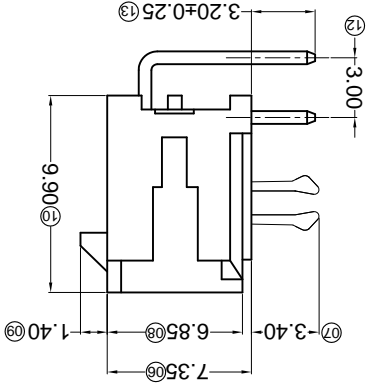
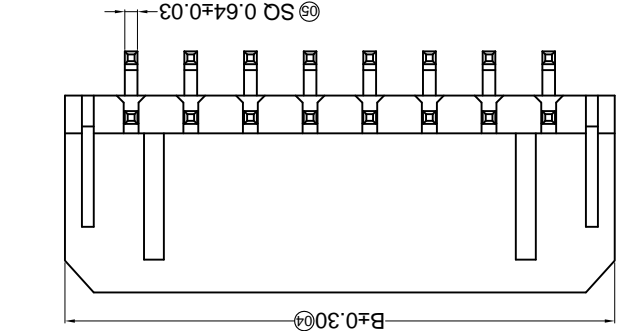
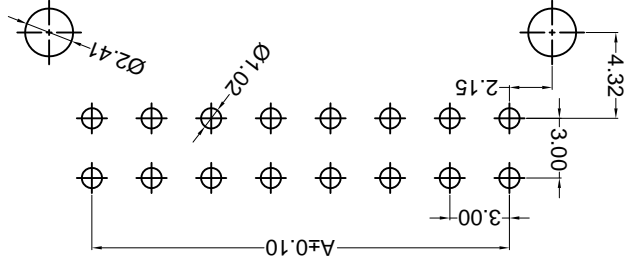
MARK	DESCRIPTION	DATE	REVISED	APPROVED	UNSPECIFIED TOLERANCES
△ X					L > 63 ± 0.5
△ X					16 < L ≤ 63 ± 0.4
△ X					4 < L ≤ 16 ± 0.3
△ X					L ≤ 4 ± 0.2
					ANGULAR ± 5°

For and on behalf of
XKB INDUSTRIAL PRECISION CO., LIMITED
香港星坤工業精密有限公司

XKB INDUSTRIAL PRECISION CO., LIMITED

MODEL TYPE:	SCALE: N/A	DATE	DATE	DATE	DATE
X3025WR-2*XXC-XXX					
PART NO.:	VIEW:	DATE	DATE	DATE	DATE
3.00 mm Crimp Style Connectors					
DWG NO.:	UNIT: mm	DATE	DATE	DATE	DATE
REVISION	SHEET	WEIGHT	SIZE: A4	REVISION	REVISION
A0	1/1	1.0g			

Recommended P.C.B Layout
General Tolerance±0.05

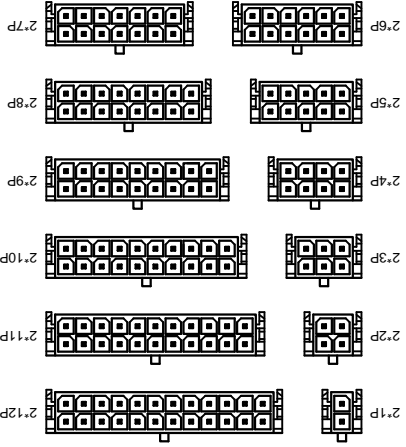


■ Specifications :

- Voltage rating: 250V AC / DC
- Current rating: 5A AC / DC
- Withstanding voltage: 1000V AC/minute
- Temperature range: -25°C~+85°C
- Insulation resistance: ≥1000MΩ
- Contact resistance: ≤10mΩ
- After environmental testing: ≤20mΩ

- ① Series No.
- ② Category: W-water
- ③ Welding Board Angle: R-90°
- ④ Welding Way: Blank-DIP
- ⑤ Row No.-Pin No.: 2*XX-2*01P~2*12P
- ⑥ Special NO.: C-The harpoon
- ⑦ Material:
- ⑧ 46-PA46 94V-0 NO-PA66 94V-0 LP-LCP 94V-0 Planting Category:
- ⑨ G*:Gold-Plated Contact *02-2u"
- ⑩ SN-Bright tin plating 70u"
- ⑪ Color: Blank-natural color

Scale 1:3



Poles	A	B	Dimensions (mm)
2*01	---	6.65	
2*02	3.00	9.65	
2*03	6.00	12.65	
2*04	9.00	15.65	
2*05	12.00	18.65	
2*06	15.00	21.65	
2*07	18.00	24.65	
2*08	21.00	27.65	
2*09	24.00	30.65	
2*10	27.00	33.65	
2*11	30.00	36.65	
2*12	33.00	39.65	

Part No.	Material	Material(Pin)	Finish(Pin)	Mates With(XB Housing)
X3025WR-2*XXC-NOG02	Nylon 66 UL 94V-0	LCP UL 94V-0	Gold Flash	X3025H
X3025WR-2*XXC-LPSN	Nylon 66 UL 94V-0	LCP UL 94V-0	Tin-Plated	
X3025WR-2*XXC-46SN	Nylon 46 UL 94V-0	Nylon 46 UL 94V-0	Tin-Plated	
X3025WR-2*XXC-NO5N	Nylon 66 UL 94V-0	Nylon 66 UL 94V-0	Tin-Plated	

REVISIONS
 Authorized Signatures(s)

MARK	DESCRIPTION	DATE	REVISED	APPROVED	UNSPECIFIED TOLERANCES
△ X					L > 63 ± 0.5
△ X					16 < L ≤ 63 ± 0.4
△ X					4 < L ≤ 16 ± 0.3
△ X					L ≤ 4 ± 0.2
					ANGULAR ± 5°

For and on behalf of
 KXB INDUSTRIAL PRECISION CO., LIMITED
 香港星坤工業精密有限公司

KXB INDUSTRIAL PRECISION CO., LIMITED

DATE	SCALE: N/A	MODEL TYPE: X3025WRS-2*XXA-LPXX
DATE	VIEW:	PART NO.: 3.00 mm Crimp Style Connectors
DATE	UNIT: mm	DWG NO.:
DATE	SIZE: A4	WEIGHT: 1.0g
		SHEET: 1/1
		REVISION: A0

PART NO	Material	Material(Pin)	Finish(Pin)	Mates With XKB Housing
X3025WRS-2*XXA-LP5W	LCP UL 94V-0	Brass	Tin-Plated	X3025H
X3025WRS-2*XXA-LP5W	LCP UL 94V-0	Brass	Mate Tin Plating	

Poles	Dimensions (mm)		
	A	B	C
2*01	6.65	2*07	18.00
2*02	3.00	2*08	21.00
2*03	6.00	2*09	24.00
2*04	9.00	2*10	27.00
2*05	12.00	2*11	30.00
2*06	15.00	2*12	33.00
2*07	18.00	2*13	36.00
2*08	21.00	2*14	39.00
2*09	24.00	2*15	42.00
2*10	27.00	2*16	45.00
2*11	30.00	2*17	48.00
2*12	33.00	2*18	51.00
2*13	36.00	2*19	54.00
2*14	39.00	2*20	57.00
2*15	42.00	2*21	60.00
2*16	45.00	2*22	63.00
2*17	48.00	2*23	66.00
2*18	51.00	2*24	69.00
2*19	54.00	2*25	72.00
2*20	57.00	2*26	75.00
2*21	60.00	2*27	78.00
2*22	63.00	2*28	81.00
2*23	66.00	2*29	84.00
2*24	69.00	2*30	87.00
2*25	72.00	2*31	90.00
2*26	75.00	2*32	93.00
2*27	78.00	2*33	96.00
2*28	81.00	2*34	99.00
2*29	84.00	2*35	102.00
2*30	87.00	2*36	105.00
2*31	90.00	2*37	108.00
2*32	93.00	2*38	111.00
2*33	96.00	2*39	114.00
2*34	99.00	2*40	117.00
2*35	102.00	2*41	120.00
2*36	105.00	2*42	123.00
2*37	108.00	2*43	126.00
2*38	111.00	2*44	129.00
2*39	114.00	2*45	132.00
2*40	117.00	2*46	135.00
2*41	120.00	2*47	138.00
2*42	123.00	2*48	141.00
2*43	126.00	2*49	144.00
2*44	129.00	2*50	147.00
2*45	132.00	2*51	150.00
2*46	135.00	2*52	153.00
2*47	138.00	2*53	156.00
2*48	141.00	2*54	159.00
2*49	144.00	2*55	162.00
2*50	147.00	2*56	165.00
2*51	150.00	2*57	168.00
2*52	153.00	2*58	171.00
2*53	156.00	2*59	174.00
2*54	159.00	2*60	177.00
2*55	162.00	2*61	180.00
2*56	165.00	2*62	183.00
2*57	168.00	2*63	186.00
2*58	171.00	2*64	189.00
2*59	174.00	2*65	192.00
2*60	177.00	2*66	195.00
2*61	180.00	2*67	198.00
2*62	183.00	2*68	201.00
2*63	186.00	2*69	204.00
2*64	189.00	2*70	207.00
2*65	192.00	2*71	210.00
2*66	195.00	2*72	213.00
2*67	198.00	2*73	216.00
2*68	201.00	2*74	219.00
2*69	204.00	2*75	222.00
2*70	207.00	2*76	225.00
2*71	210.00	2*77	228.00
2*72	213.00	2*78	231.00
2*73	216.00	2*79	234.00
2*74	219.00	2*80	237.00
2*75	222.00	2*81	240.00
2*76	225.00	2*82	243.00
2*77	228.00	2*83	246.00
2*78	231.00	2*84	249.00
2*79	234.00	2*85	252.00
2*80	237.00	2*86	255.00
2*81	240.00	2*87	258.00
2*82	243.00	2*88	261.00
2*83	246.00	2*89	264.00
2*84	249.00	2*90	267.00
2*85	252.00	2*91	270.00
2*86	255.00	2*92	273.00
2*87	258.00	2*93	276.00
2*88	261.00	2*94	279.00
2*89	264.00	2*95	282.00
2*90	267.00	2*96	285.00
2*91	270.00	2*97	288.00
2*92	273.00	2*98	291.00
2*93	276.00	2*99	294.00
2*94	279.00	2*100	297.00
2*95	282.00	2*101	300.00
2*96	285.00	2*102	303.00
2*97	288.00	2*103	306.00
2*98	291.00	2*104	309.00
2*99	294.00	2*105	312.00
2*100	297.00	2*106	315.00
2*101	300.00	2*107	318.00
2*102	303.00	2*108	321.00
2*103	306.00	2*109	324.00
2*104	309.00	2*110	327.00
2*105	312.00	2*111	330.00
2*106	315.00	2*112	333.00
2*107	318.00	2*113	336.00
2*108	321.00	2*114	339.00
2*109	324.00	2*115	342.00
2*110	327.00	2*116	345.00
2*111	330.00	2*117	348.00
2*112	333.00	2*118	351.00
2*113	336.00	2*119	354.00
2*114	339.00	2*120	357.00
2*115	342.00	2*121	360.00
2*116	345.00	2*122	363.00
2*117	348.00	2*123	366.00
2*118	351.00	2*124	369.00
2*119	354.00	2*125	372.00
2*120	357.00	2*126	375.00
2*121	360.00	2*127	378.00
2*122	363.00	2*128	381.00
2*123	366.00	2*129	384.00
2*124	369.00	2*130	387.00
2*125	372.00	2*131	390.00
2*126	375.00	2*132	393.00
2*127	378.00	2*133	396.00
2*128	381.00	2*134	399.00
2*129	384.00	2*135	402.00
2*130	387.00	2*136	405.00
2*131	390.00	2*137	408.00
2*132	393.00	2*138	411.00
2*133	396.00	2*139	414.00
2*134	399.00	2*140	417.00
2*135	402.00	2*141	420.00
2*136	405.00	2*142	423.00
2*137	408.00	2*143	426.00
2*138	411.00	2*144	429.00
2*139	414.00	2*145	432.00
2*140	417.00	2*146	435.00
2*141	420.00	2*147	438.00
2*142	423.00	2*148	441.00
2*143	426.00	2*149	444.00
2*144	429.00	2*150	447.00
2*145	432.00	2*151	450.00
2*146	435.00	2*152	453.00
2*147	438.00	2*153	456.00
2*148	441.00	2*154	459.00
2*149	444.00	2*155	462.00
2*150	447.00	2*156	465.00
2*151	450.00	2*157	468.00
2*152	453.00	2*158	471.00
2*153	456.00	2*159	474.00
2*154	459.00	2*160	477.00
2*155	462.00	2*161	480.00
2*156	465.00	2*162	483.00
2*157	468.00	2*163	486.00
2*158	471.00	2*164	489.00
2*159	474.00	2*165	492.00
2*160	477.00	2*166	495.00
2*161	480.00	2*167	498.00
2*162	483.00	2*168	501.00
2*163	486.00	2*169	504.00
2*164	489.00	2*170	507.00
2*165	492.00	2*171	510.00
2*166	495.00	2*172	513.00
2*167	498.00	2*173	516.00
2*168	501.00	2*174	519.00
2*169	504.00	2*175	522.00
2*170	507.00	2*176	525.00
2*171	510.00	2*177	528.00
2*172	513.00	2*178	531.00
2*173	516.00	2*179	534.00
2*174	519.00	2*180	537.00
2*175	522.00	2*181	540.00
2*176	525.00	2*182	543.00
2*177	528.00	2*183	546.00
2*178	531.00	2*184	549.00
2*179	534.00	2*185	552.00
2*180	537.00	2*186	555.00
2*181	540.00	2*187	558.00
2*182	543.00	2*188	561.00
2*183	546.00	2*189	564.00
2*184	549.00	2*190	567.00
2*185	552.00	2*191	570.00
2*186	555.00	2*192	573.00
2*187	558.00	2*193	576.00
2*188	561.00	2*194	579.00
2*189	564.00	2*195	582.00
2*190	567.00	2*196	585.00
2*191	570.00	2*197	588.00
2*192	573.00	2*198	591.00
2*193	576.00	2*199	594.00
2*194	579.00	2*200	597.00
2*195	582.00	2*201	600.00
2*196	585.00	2*202	603.00
2*197	588.00	2*203	606.00
2*198	591.00	2*204	609.00
2*199	594.00	2*205	612.00
2*200	597.00	2*206	615.00
2*201	600.00	2*207	618.00
2*202	603.00	2*208	621.00
2*203	606.00	2*209	624.00
2*204	609.00	2*210	627.00
2*205	612.00	2*211	630.00
2*206	615.00	2*212	633.00
2*207	618.00	2*213	636.00
2*208	621.00	2*214	639.00
2*209	624.00	2*215	642.00
2*210	627.00	2*216	645.00
2*211	630.00	2*217	648.00
2*212	633.00	2*218	651.00
2*213	636.00	2*219	654.00
2*214	639.00	2*220	657.00
2*215	642.00	2*221	660.00
2*216	645.00	2*222	663.00
2*217	648.00	2*223	666.

For and on behalf of
KXB INDUSTRIAL PRECISION CO., LIMITED
 香港星坤工業精密有限公司

REVISIONS
 Authorized Signature(s)

MARK	DESCRIPTION	DATE	REVISED	APPROVED	UNSPECIFIED TOLERANCES
△ X					L > 63
△ X					16 < L ≤ 63
△ X					4 < L ≤ 16
△ X					L ≤ 4
					ANGULAR
					± 5°
					± 0.2
					± 0.3
					± 0.4
					± 0.5

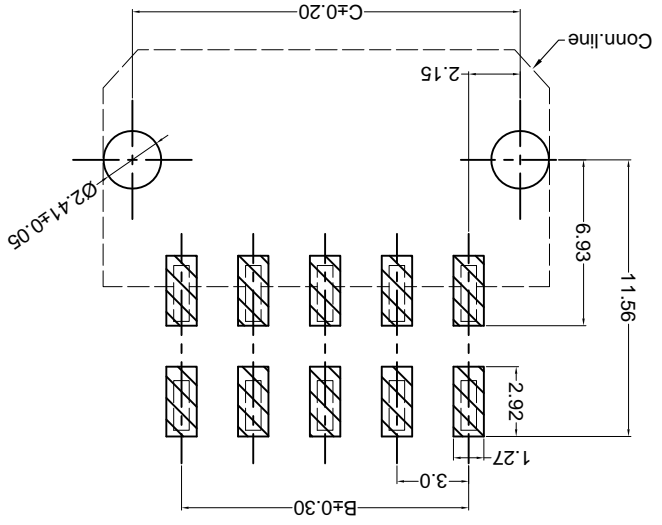
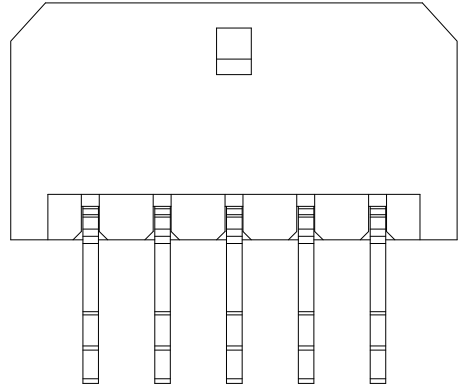
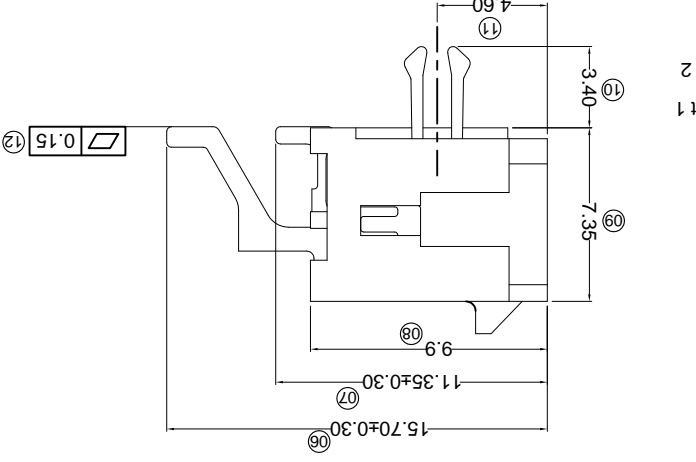
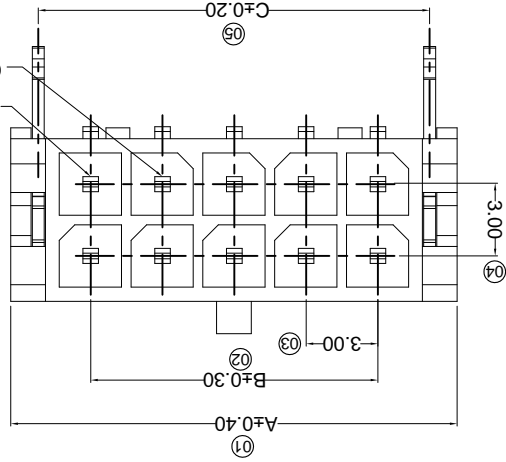
REVISION	SHEET	WEIGHT	DATE	DATE	DATE	DATE	DATE	DATE
A0	1/1	1.0g						

KXB INDUSTRIAL PRECISION CO., LIMITED

DSND	SCALE: N/A	DATE
DWN	VIEW:	DATE
CHKD	UNIT: mm	DATE
APPD	SIZE: A4	DATE

MODEL TYPE: X3025WRS-2*XXC-XXXX
 PART NO.:
 DWG NO.:
 3.00 mm Crimp Style Connectors

PART NO	Material	Material(Pin)	Finish(Pin)	(Solder Tabs) Material	(Solder Tabs) Finish	Mates With XKB Housing
X3025WRS-2*XXC-LPSW	LCP UL 94V-0	Brass	Ni:50u"Min:	Brass	Tin-Plated	X3025H
X3025WRS-2*XXC-LPSN	LCP UL 94V-0	Brass	Ni:120u"Min:	Brass	Plating	
X3025WRS-2*XXC-NOSN	PA66 UL 94V-0				Finish Tabs	Mates With XKB Housing



- **Specifications :**
- Voltage rating: 250V AC / DC
 - Current rating: 5A AC / DC
 - Withstanding voltage: 1000V AC/minute
 - Temperature range: -25°C~+85°C
 - Insulation resistance: ≥1000MΩ
 - Contact resistance: ≤10mΩ
 - After environmental testing: ≤20mΩ

X3025 W R S-2*XX C-XX XX XX
 ① Series No.
 ② Category: W-water
 ③ Welding Board Angle: R-90°
 ④ Welding Way: S-SMT
 ⑤ Row No.-Pin No.: 2*XX-Double row
 ⑥ Special NO.: C-The harpoon
 ⑦ Material: LP-LCP 94V-0
 ⑧ Material: N0-PA66 94V-0
 ⑨ Plating Category:
 SN-Bright tin plating 70u"
 SW-Fog Tin plating
 Color: Blank-natural color

Poles	A	B	C
02	6.65	---	4.20
04	9.65	3.00	7.20
06	12.65	6.00	10.20
08	15.65	9.00	13.20
10	18.65	12.00	16.20
12	21.65	15.00	19.20
14	24.65	18.00	22.20
16	27.65	21.00	25.20
18	30.65	24.00	28.20
20	33.65	27.00	31.20
22	36.65	30.00	34.20
24	39.65	33.00	37.20

Dimensions(mm)

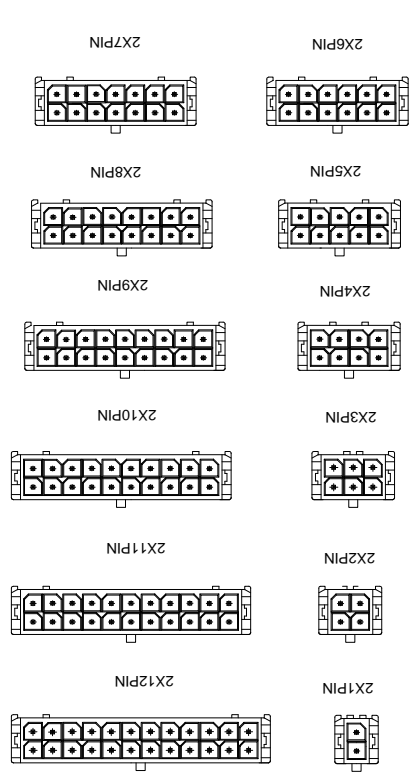
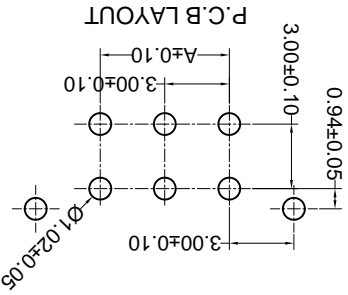
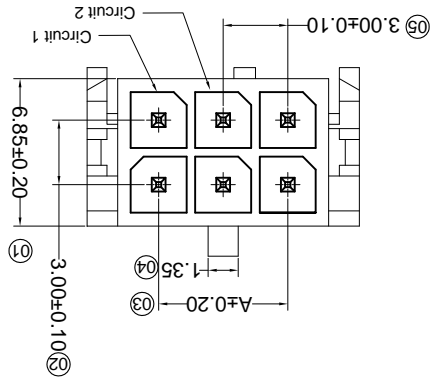
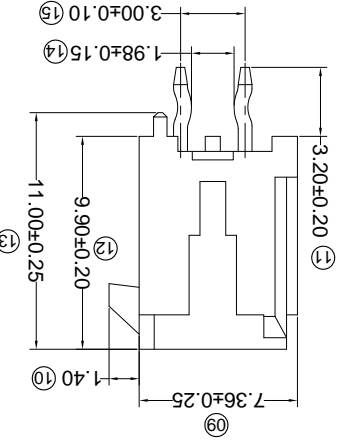
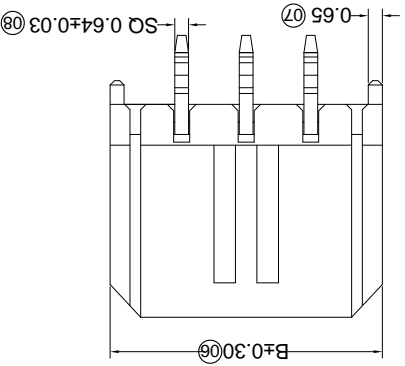
For and on behalf of
XKB INDUSTRIAL PRECISION CO., LIMITED
 香港星坤工業精密有限公司

REVISIONS
 Authorized Signature(s)

MARK	DESCRIPTION	DATE	REVISED	APPROVED	UNSPECIFIED TOLERANCES
△ X					L > 63 ± 0.5
△ X					16 < L ≤ 63 ± 0.4
△ X					4 < L ≤ 16 ± 0.3
					L ≤ 4 ± 0.2
					ANGULAR ± 5°

DATE	SCALE: N/A	MODEL TYPE: X3025WV-2*XX-XXXX
DNSD		
DWN		
CHKD		
APPD		
DATE	VIEW:	PART NO.: 3.00 mm Crimp Style Connectors
DATE	UNIT: mm	DWG NO.:
DATE	SIZE: A4	WEIGHT 1.0g
		SHEET 1/1
		REVISION A0

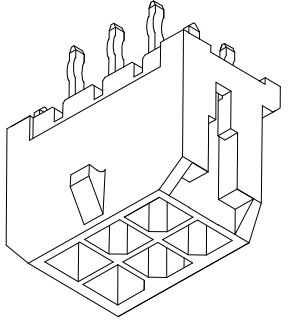
PART NO	Material	Material(Pin)	Finish(Pin)	Mates With XKB Housing
X3025WV-2*XX-PTSN	PBT UL 94V-0	Brass	Tin-Plated	X3025H
X3025WV-2*XX-46SN	PA46 UL 94V-0			
X025WV-2*XX-N0SN	PA66 UL 94V-0			
X3025WV-2*XX-46V01	PA46 UL 94V-0			



Poles	Dimensions (mm)	
	A	B
2*01	6.65	2*07
2*02	3.00	2*08
2*03	6.00	2*09
2*04	9.00	2*10
2*05	12.00	2*11
2*06	15.00	2*12
2*07	---	---
2*08	9.65	2*08
2*09	12.65	2*09
2*10	15.65	2*10
2*11	18.65	2*11
2*12	21.65	2*12

- ① Series No. X3025 W V X-2*XX X-XX XX XX
- ② Category: W-WAFER
- ③ Welding Board Angle: V-Straight 180°
- ④ Welding Way: Blank-DIP
- ⑤ Row No.-Pin No.: 2*XX-2*01P-2*22P
- ⑥ Plug the Pin & Special No.:
- ⑦ Material: N0-PA66 94V-0; T-PBT 94V-0; 46-PA46 94V-0
- ⑧ Plating Category: SN-Bright Tin Plating; V01-All Gold Flash
- ⑨ Color: Blank-Natural Color

- Specifications:
- Voltage rating: 250V AC / DC
 - Current rating: 5A AC / DC
 - Withstanding voltage: 1000V AC/minute
 - Temperature range: -25°C~+85°C
 - Insulation resistance: ≥1000MΩ
 - Contact resistance: ≤10mΩ
 - After environmental testing: ≤20mΩ



For and on behalf of
KXB INDUSTRIAL PRECISION CO., LIMITED
 香港星坤工業精密有限公司

Authorized Signatures

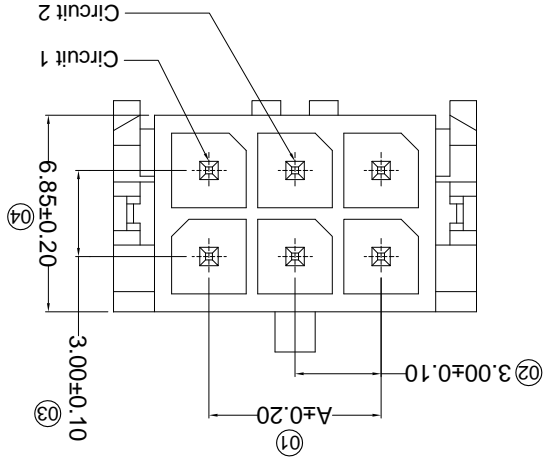
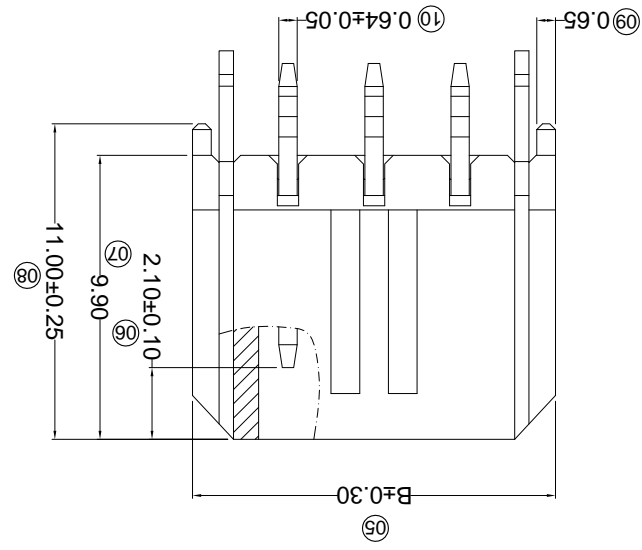
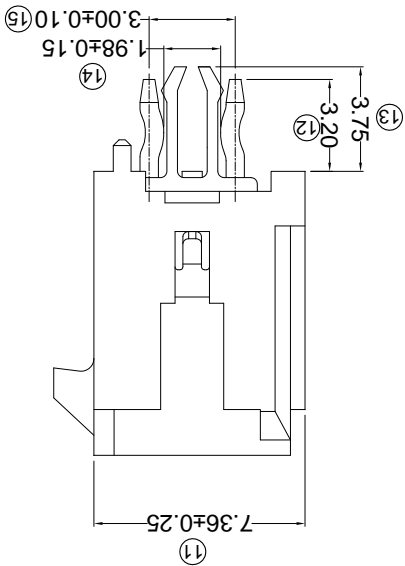
MARK	DESCRIPTION	DATE	REVISD	APPROVED	UNSPECIFIED TOLERANCES
△ X					L > 63
△ X					16 > L ≤ 63
△ X					4 < L ≤ 16
△ X					L ≤ 4
					ANGULAR
					± 5°

REVISIONS	DATE	APPD	CHKD	DWN	DSND

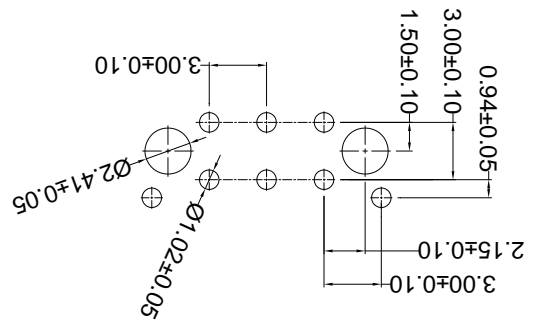
DATE	VIEW	SCALE	MODEL TYPE	PART NO.	DWG NO.:

WEIGHT	SHEET	REVISION
1.0g	1/1	A0

PART NO	Material	Material(Pin)	Finish(Pin)	Mates With
X3025WV-2*XXC-9TSN	Nylon 9T UL 94V-0	Brass	Tin Plating Fog	X3025H
X3025WV-2*XXC-LPSW	LCP UL 94V-0			



P.C.B LAYOUT



- Specifications :
- Voltage rating: 250V AC / DC
 - Current rating: 5A AC / DC
 - Withstanding voltage: 1000V AC/minute
 - Temperature range: -25°C~+85°C
 - Insulation resistance: ≥1000MΩ
 - Contact resistance: ≤10mΩ
 - After environmental testing: ≤20mΩ

- X3025 W V X-2*XX C-XX XX XX
- ① Series No.
 - ② Category: W-water
 - ③ Welding Board Angle: V-180°
 - ④ Welding Way: Blank-DIP
 - ⑤ Row No.-Pin No. 2*XX-Double row
 - ⑥ Special NO. C-The harpoon
 - ⑦ Material: LP-LCP 94V-0 9T-PA9T 94V-0
 - ⑧ Planting Category: V** All Gold-Plated
 - ⑨ *01-Gold Flash : *02-2u" ; *03-3u" ; *05-5u" ; *10-10u" ; *15-15u" ; *30-30u" ; *50-50u"
 - ⑩ SN-Bright tin plating 70u"
 - ⑪ SN1-Bright tin plating 120u"Min. ;
 - ⑫ SW-Fog Tin plating
 - ⑬ Color: Blank-natural color

Poles	Dimensions (mm)
A	6.65
B	9.65
	12.65
	15.65
	18.65
	21.65
	24.65
	27.65
	30.65
	33.65
	36.65
	39.65

Authorized Signatures

For and on behalf of
XKB INDUSTRIAL PRECISION CO., LIMITED
 香港星坤工業精密有限公司

MARK	DESCRIPTION	DATE	REVISED	APPROVED	UNSPECIFIED TOLERANCES
△ X					L > 63
△ X					16 < L ≤ 63
△ X					4 < L ≤ 16
△ X					L ≤ 4
					ANGULAR ± 5°

REVISIONS	DATE	REVISED	APPROVED	APPD	DATE	SIZE: A4

WEIGHT	SHEET	REVISION
1.0g	1/1	A0

MODEL TYPE:	SCALE: N/A	DATE	DNSD	DATE	DWN	DATE	CHKD	DATE	APPD	DATE
X3025WV-2*XXCN-LPSN										

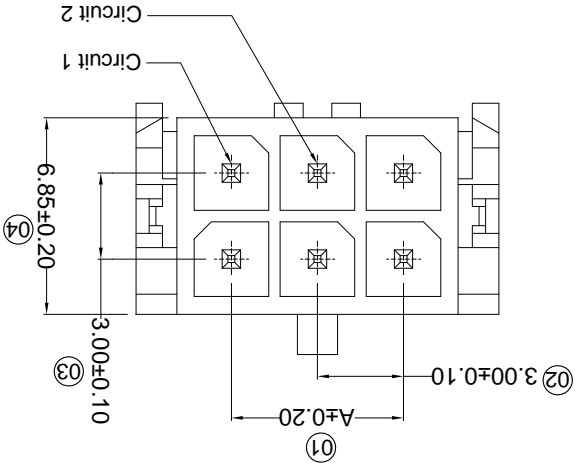
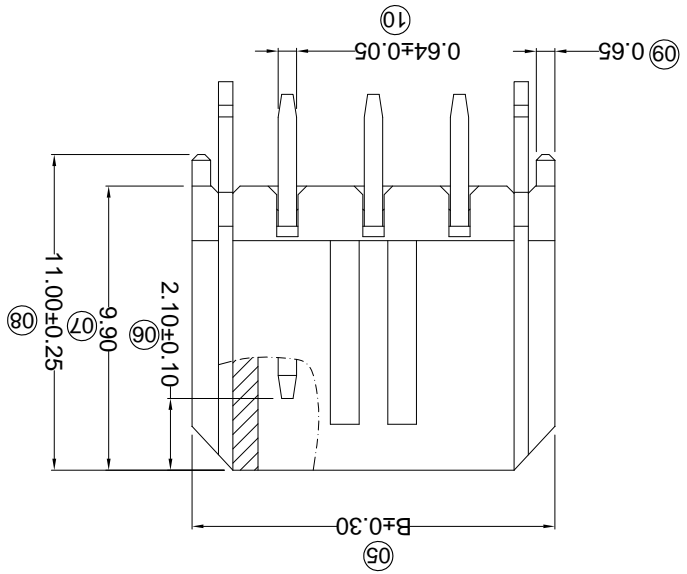
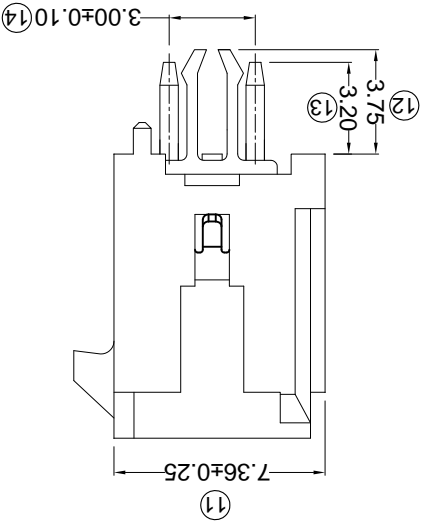
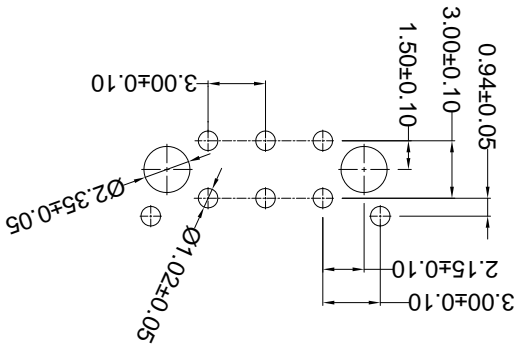
PART NO	Material	Material(Pin)	Finish(Pin)	Mates With XKB Housing
X3025WV-2*XXCN-LPSN	LCP UL 94V-0	Brass	Tin-Plated	X3025H

Poles	A	B
02	--	6.65
04	3.00	9.65
06	6.00	12.65
08	9.00	15.65
10	12.00	18.65
12	15.00	21.65
14	18.00	24.65
16	21.00	27.65
18	24.00	30.65
20	27.00	33.65
22	30.00	36.65
24	33.00	39.65

- ① Series No.
- ② Category:
- ③ W-water
- ④ Welding Board Angle:
- ⑤ V-180°
- ⑥ Welding Way:
- ⑦ Blank-DIP
- ⑧ Row No.-Pin No.
- ⑨ 2*XX-Double row
- ⑩ Special NO.
- ⑪ C-The harpoon N-without K the feet
- ⑫ Material:
- ⑬ LP-LCP 94V-0
- ⑭ Planting Category:
- ⑮ V**All Gold-Plated
- ⑯ *01-Gold Flash ; *02-2u" ; *03-3u" ; *05-5u"
- ⑰ *10-10u" ; *15-15u" ; *30-30u" ; *50-50u"
- ⑱ SN-Bright tin plating 70u"
- ⑲ SN1-Bright tin plating 120u"Min.
- ⑳ SW-Fog Tin plating
- ㉑ Color:
- ㉒ Blank-natural color

- Specifications :**
- Voltage rating: 250V AC / DC
 - Current rating: 5A AC / DC
 - Withstanding voltage: 1000V AC/minute
 - Temperature range: -25°C~+85°C
 - Insulation resistance: ≥1000MΩ
 - Contact resistance: ≤10mΩ
 - After environmental testing: ≤20mΩ

P.C.B LAYOUT



For and on behalf of
KXB INDUSTRIAL PRECISION CO., LIMITED
 香港星坤工業精密有限公司

MARK	DESCRIPTION	DATE	REVISED	APPROVED	UNSPECIFIED TOLERANCES
△ X					L > 63
△ X					16 < L ≤ 63
△ X					4 < L ≤ 16
△ X					L ≤ 4
					ANGULAR

REVISIONS	DATE	REVISIONS	DATE
APPROVED		APPROVED	
REVISED		REVISED	
DATE		DATE	

Part No.	X3025WV-2*XXH-LPSN
Material	LCP UL 94V-0
Material(Pin)	Brass
Finish(Pin)	Tin-Plated
Material(Pin)	X3025H
Material	Mates With XKB Housing

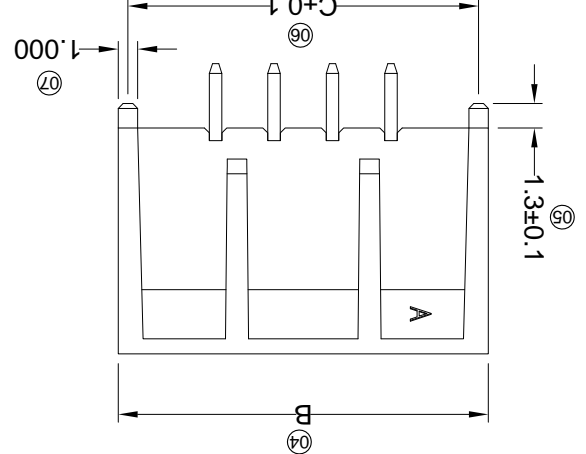
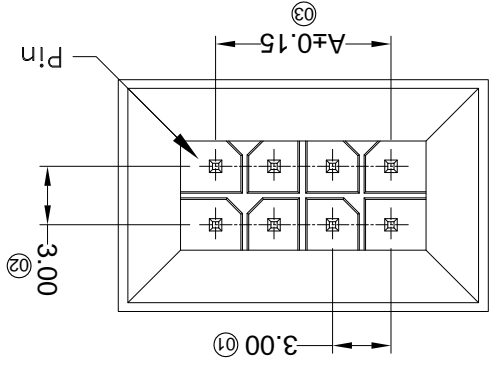
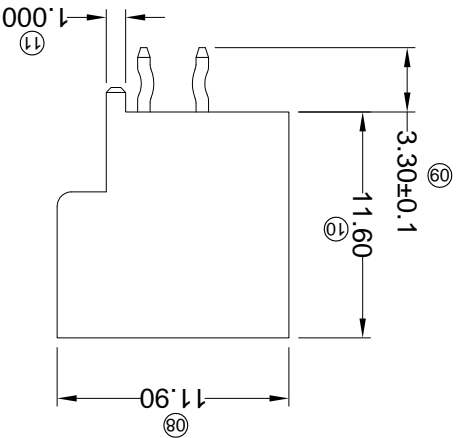
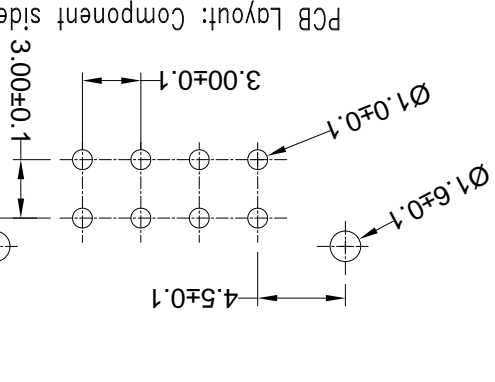
Part No.	Material	Material(Pin)	Finish(Pin)	Tin-Plated	Dimensions (mm)
X3025WV-2*XXH-LPSN	LCP UL 94V-0	Brass	Tin-Plated	X3025H	
					A
					B
					C
					24
					22
					20
					18
					16
					14
					12
					10
					08
					06
					04

Model Type	Scale	Date	View	Unit	Size
X3025WV-2*XXH-LPSN	N/A			mm	A4

Model Type	Scale	Date	View	Unit	Size
X3025WV-2*XXH-LPSN	N/A			mm	A4

- Specifications :**
- Voltage rating: 250V AC / DC
 - Current rating: 5A AC / DC
 - Withstanding voltage: 1000V AC/minute
 - Temperature range: -25°C~+85°C
 - Insulation resistance: ≥1000MΩ
 - Contact resistance: ≤10mΩ
 - After environmental testing: ≤20mΩ

X3025W V X-2*XXH-LPSNXX
 ① Series No.
 ② Category:
 W-water
 ③ Welding Board Angle:
 V-180°
 ④ Welding Way:
 Blank-DIP
 ⑤ Row No.-Pin No.
 2*XX-Double row
 ⑥ Special NO.
 H-Arrange ushering with positioning column
 ⑦ Material:
 LP-LCP 94V-0
 ⑧ Planting Category:
 V*:All Gold-Plated
 G*:Gold-Plated Contact
 *04-Gold Flash ; *02-2u" ; *03-3u" ; *05-5u"
 *10-10u" ; *15-15u" ; *30-30u" ; *50-50u"
 SN-Bright tin plating 70u"
 SN1-Bright tin plating 120u"Min. ;
 SW-Fog Tin plating
 ⑨ Color:
 Blank-natural color



REVISIONS
Authorized Signatures(s)

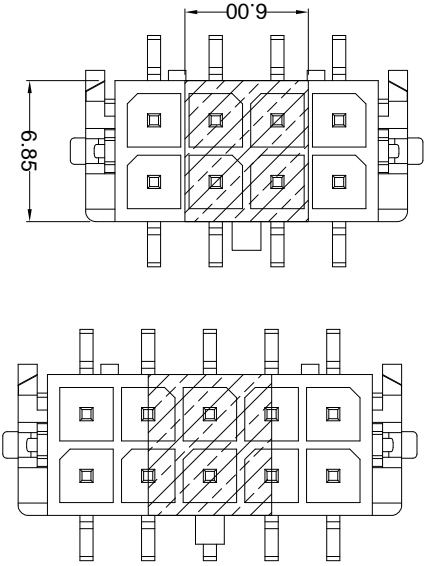
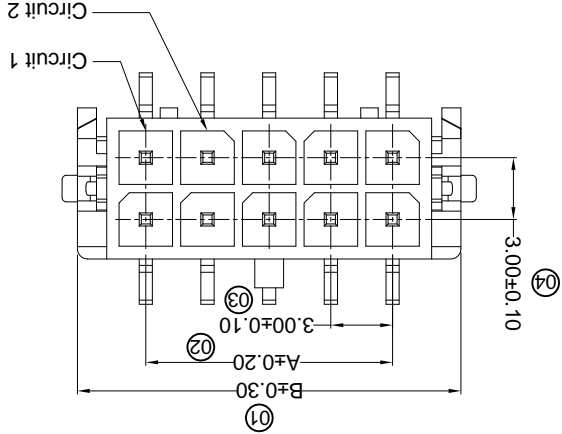
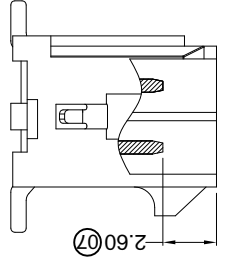
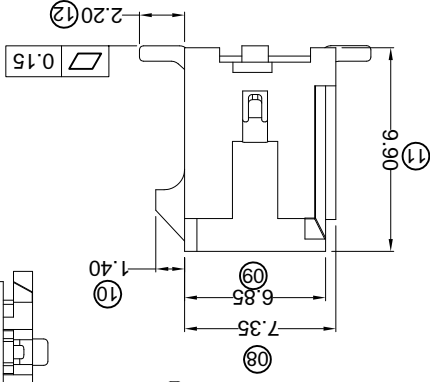
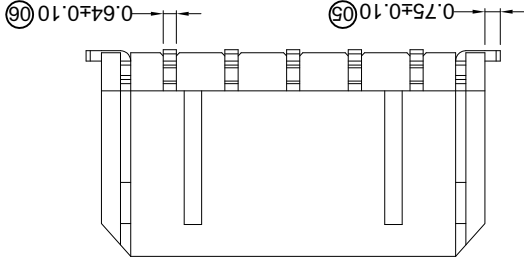
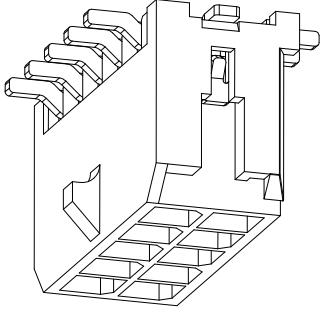
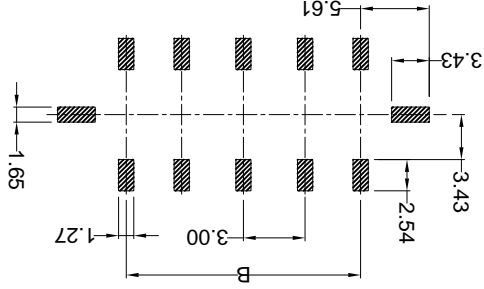
MARK	DESCRIPTION	DATE	REVISED	APPROVED	UNSPECIFIED TOLERANCES
△ X					L > 63 ± 0.5
△ X					16 > L ≤ 63 ± 0.4
△ X					4 < L ≤ 16 ± 0.3
					L ≤ 4 ± 0.2
					ANGULAR ± 5°

For and on behalf of
KXB INDUSTRIAL PRECISION CO., LIMITED
香港星坤工業精密有限公司

KXB INDUSTRIAL PRECISION CO., LIMITED

WEIGHT	1.0g
SHEET	1/1
REVISION	A0
SIZE:	A4
DATE:	
UNIT:	mm
VIEW:	
SCALE:	N/A
MODEL TYPE:	X3025WVS-2*XXD-LPSW
PART NO.:	
3.00 mm Crimp Style Connectors	
DWG NO.:	

P.C.B. LAYOUT



PART NO	Material	Material(Pin)	Finish(Pin)	Dimensions(mm)		Poles	
				A	B	A	B
X3025WVS-2*XXD-LPSW	LCP UL 94V-0	Brass	Matte tin	2*06	15.00	2*12	33.00
		Brass	Matte tin	2*05	12.00	2*11	30.00
		Brass	Matte tin	2*04	9.00	2*10	27.00
		Brass	Matte tin	2*03	6.00	2*09	24.00
		Brass	Matte tin	2*02	3.00	2*08	21.00
		Brass	Matte tin	2*01	---	2*07	18.00
						A	B
						Dimensions(mm)	

- ① Series No.
- ② Category: W-water
- ③ Weiding Board Angle: V- Stright 180°
- ④ Weiding Way: S-SMT
- ⑤ Row No.-Pin No.: 2*XX-2*01P-2*12P
- ⑥ Plug the Pin & Special No.: D-Solder Tabs
- ⑦ Material: LP-LCP 94V-0
- ⑧ Planting Category:
- ⑨ SN-Bright tin plating ; SW-Matte Tin plating
- ⑩ Color: Blank-Natural color

X3025 W V S-2*XX D-LP XX XX

- Voltage rating: 250V AC / DC
- Current rating: 5A AC / DC
- Withstanding voltage: 1000V AC/minute
- Temperature range: -25°C~+85°C
- Insulation resistance: ≥1000MΩ
- Contact resistance: ≤10mΩ
- After environmental testing: ≤20mΩ

Specifications :

X-ON Electronics

Largest Supplier of Electrical and Electronic Components

Click to view similar products for [Headers & Wire Housings](#) category:

Click to view products by [XKB](#) manufacturer:

Other Similar products are found below :

[95000-104TRLF](#) [10135584-644402LF](#) [DF62W-EP2022PCA](#) [95000-106TRLF](#) [DF62W-2022SCA](#) [DF62W-EP2022PC](#) [2203348](#) [DF62W-2022SC](#) [1084018](#) [1029039](#) [1084017](#) [802-10-012-10-002000](#) [1112640](#) [1112639](#) [891-007-9SS-BST1T](#) [000-34000](#) [0008550134](#) [0009482033](#) [0009507031](#) [57102-F02-18ULF](#) [57102-S06-03LF](#) [57202-S52-04LF](#) [PCN6-15S-2.5E](#) [0039019024](#) [58102-G61-06LF](#) [582553-1](#) [0009485154](#) [0009508121](#) [0022285053](#) [0050291907](#) [018731A](#) [LY20-4P-DT1-P1E-BR](#) [02.125.8002.8](#) [60101931](#) [60598-1 \(Cut Strip\)](#) [M1625-3R/100](#) [61062-3](#) [61082-181009](#) [CSU011177004](#) [636-1427](#) [638009-1](#) [641938-9](#) [641991-4](#) [644168-1](#) [644827-2](#) [647662-1](#) [65039-019ELF](#) [65692-001LF](#) [65781-018](#) [65781-047](#)