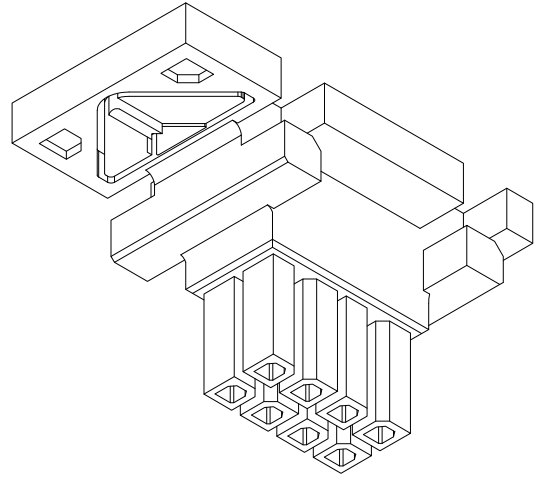
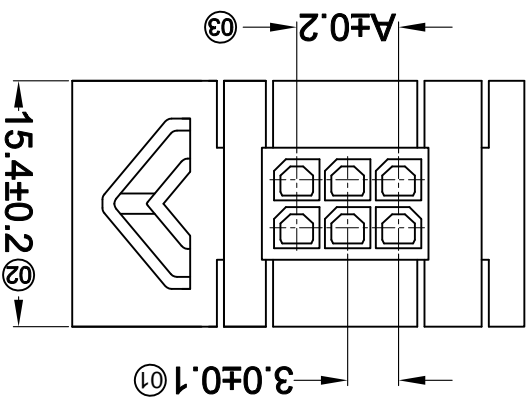
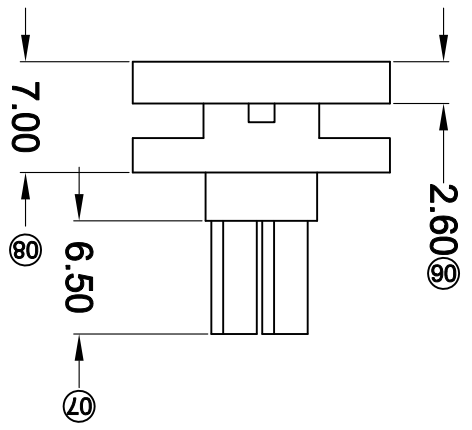
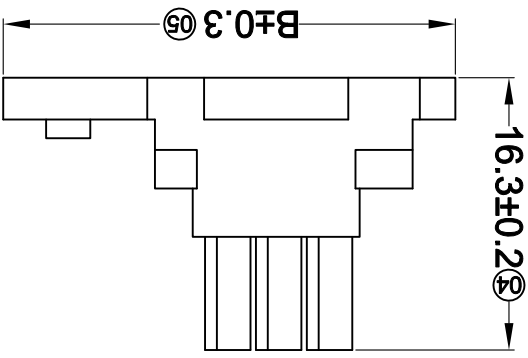


For and on behalf of
XKB INDUSTRIAL PRECISION CO., LIMITED
 香港星坤工業精密有限公司

| MARK | DESCRIPTION | DATE | REVISED | APPROVED | UNSPECIFIED TOLERANCES |
|------|-------------|------|---------|----------|------------------------|
| △ X | | | | | L > 63 |
| △ X | | | | | 16 < L ≤ 63 |
| △ X | | | | | 4 < L ≤ 16 |
| | | | | | L ≤ 4 |
| | | | | | ANGULAR |
| | | | | | ± 5° |

| DATE | DATE | DATE | DATE | DATE | DATE | DATE | DATE |
|------------|-------|----------|----------|------|------|------|------|
| DSND | DWN | CHKD | APPD | | | | |
| SCALE: N/A | VIEW: | UNIT: mm | SIZE: A4 | | | | |

| WEIGHT | SHEET | REVISION |
|--------|-------|----------|
| 1.0g | 1/1 | A0 |

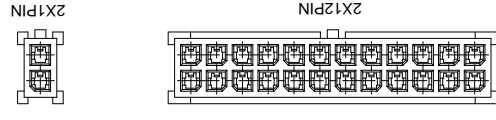
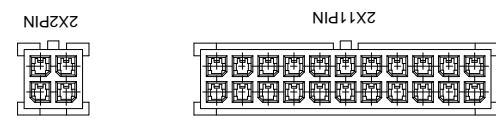
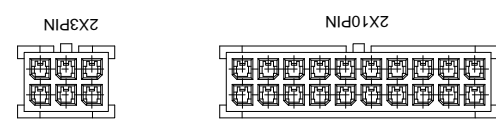
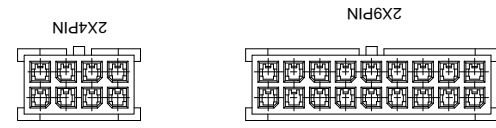
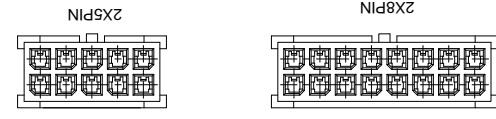
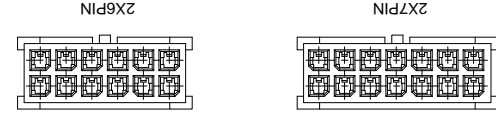
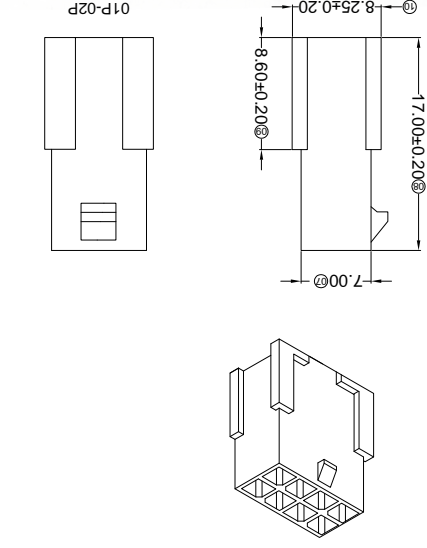
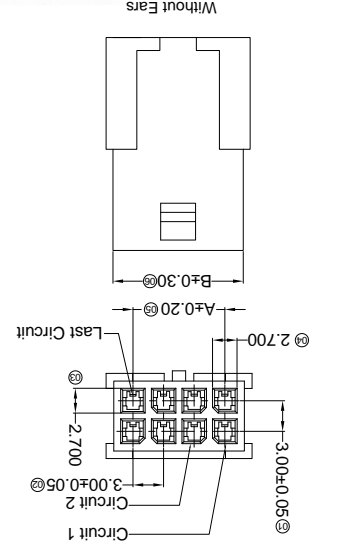
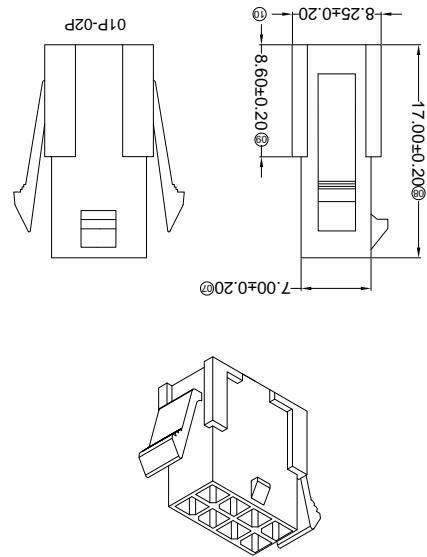
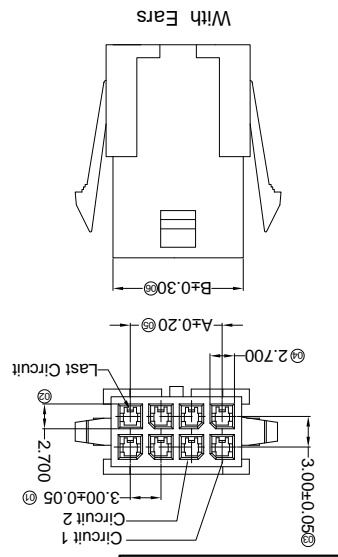


| Poles | Dimensions(mm) | |
|-------|----------------|-------|
| | A | B |
| 2*02 | 3.00 | 2*08 |
| 2*03 | 6.00 | 2*09 |
| 2*04 | 9.00 | 2*10 |
| 2*05 | 12.00 | 2*11 |
| 2*06 | 15.00 | 2*12 |
| 2*07 | 18.00 | 39.85 |

- ① Series No.
- ② Category: H-HSG
- ③ Welding Board Angle: F-Female HSG
- ④ Row No.-Pin No.: 2*XX-2*02P~2*12P
- ⑤ Plug the Pin & special No.: WS-With Base
- ⑥ Material: N2-PA66 94V-2;
- ⑦ Color: Blank-natural color

X3025 H F-2*XX WS-N2 XX

- Specifications :
- Voltage rating: 250V AC / DC
 - Current rating: 5A AC / DC
 - Withstanding voltage: 1500V AC/minute
 - Temperature range: -25°C~+85°C
 - Insulation resistance: ≥1000MΩ
 - Contact resistance: ≤10mΩ
 - After environmental testing: ≤17mΩ



- Specifications:**
- Voltage rating: 250V AC / DC
 - Current rating: 5A AC / DC
 - Withstanding voltage: 1000V AC/minute
 - Temperature range: -25°C~+85°C
 - Insulation resistance: ≥1000MΩ
 - Contact resistance: ≤10mΩ
 - After environmental testing: ≤20mΩ

X3025 H F-2*XX XX-N2 XX

- ① Series No.
- ② Category: H-HSG
- ③ Welding Board Angle: F-Female HSG
- ④ Row No.-Pin No.: 2*XX-2*01P-2*12P
- ⑤ Plug the Pin & special No.: I-Without Ears
- ⑥ G-With Ears
- ⑦ Material: N2-PA66 94V-2;

⑦ Color: Blank-Natural Color

| Poles | Dimensions(mm) | |
|----------------|----------------|-------|
| | A | B |
| 2*01 | 4.00 | 2*07 |
| 2*02 | 3.00 | 2*08 |
| 2*03 | 6.00 | 10.00 |
| 2*04 | 9.00 | 13.00 |
| 2*05 | 12.00 | 16.00 |
| 2*06 | 15.00 | 19.00 |
| Poles | | |
| Dimensions(mm) | | |
| A | 18.00 | 22.00 |
| B | 21.00 | 25.00 |
| Dimensions(mm) | | |
| A | 24.00 | 28.00 |
| B | 27.00 | 31.00 |
| Dimensions(mm) | | |
| A | 30.00 | 34.00 |
| B | 33.00 | 37.00 |

| PART NO | Material | Suitable SWB Terminal | Mates With XKB Housing | Note |
|------------------|----------------|-----------------------|------------------------|--------------|
| X3025HF-2*XXG-N2 | Nylon 66 94V-2 | X3025TM | X3025HM | With Ears |
| X3025HF-2*XXI-N2 | Nylon 66 94V-2 | X3025TM | X3025HM | Without Ears |

For and on behalf of
XKB INDUSTRIAL PRECISION CO., LIMITED
 香港星坤工業精密有限公司

REVISIONS
 Authorized Signature(s)

| MARK | DESCRIPTION | DATE | REVISED | APPROVED | UNSPECIFIED TOLERANCES |
|------|-------------|------|---------|----------|------------------------|
| △ X | | | | | L > 63 ±0.5 |
| △ X | | | | | 16 < L ≤ 63 ±0.4 |
| △ X | | | | | 4 < L ≤ 16 ±0.3 |
| △ X | | | | | L ≤ 4 ±0.2 |
| | | | | | ANGULAR ±5° |

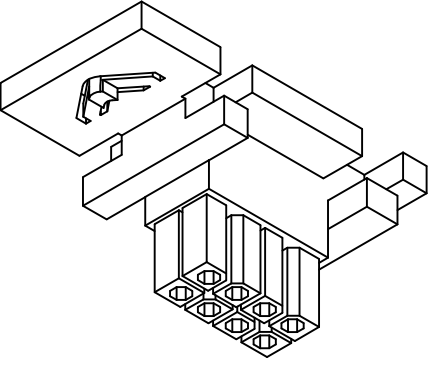
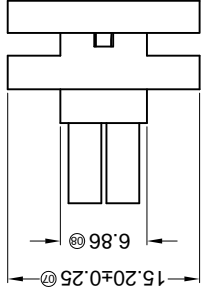
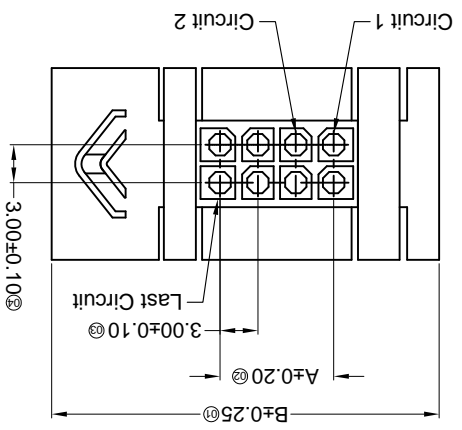
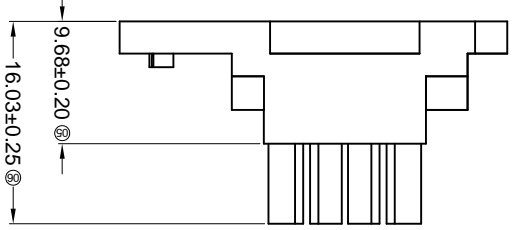
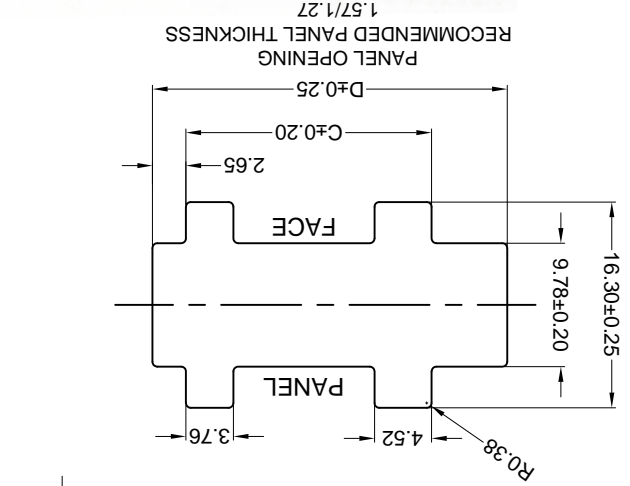
| DSND | DATE | SCALE: N/A | MODEL TYPE: X3025HF-2*XXX-N2 |
|-------------|------|------------|--------------------------------|
| DWN | DATE | VIEW: | PART NO.: |
| CHKD | DATE | UNIT: mm | 3.00 mm Crimp Style Connectors |
| APPD | DATE | SIZE: A4 | DWG NO.: |
| WEIGHT 1.0g | | | |
| SHEET 1/1 | | | |
| REVISION A0 | | | |

For and on behalf of
XKB INDUSTRIAL PRECISION CO., LIMITED
 香港星坤工業精密有限公司

| MARK | DESCRIPTION | DATE | REVISID | APPROVED | UNSPECIFIED TOLERANCES |
|------|-------------|------|---------|----------|------------------------|
| △ X | | | | | L > 63 ± 0.5 |
| △ X | | | | | 16 > L ≤ 63 ± 0.4 |
| △ X | | | | | 4 < L ≤ 16 ± 0.3 |
| △ X | | | | | L ≤ 4 ± 0.2 |
| | | | | | ANGULAR ± 5° |

| REVISIONS | DATE | REVISID | APPROVED | UNSPECIFIED TOLERANCES |
|-----------|------|---------|----------|------------------------|
| | | | | L > 63 ± 0.5 |
| | | | | 16 > L ≤ 63 ± 0.4 |
| | | | | 4 < L ≤ 16 ± 0.3 |
| | | | | L ≤ 4 ± 0.2 |
| | | | | ANGULAR ± 5° |

| DATE | SCALE: N/A | MODEL TYPE: X3025HM-2*XXWS-N2 | DNSD |
|----------|------------|--|----------|
| | | | |
| DATE | VIEW: | PART NO.: 3.00 mm Crimp Style Connectors | DWN |
| | | | |
| DATE | UNIT: mm | DWG NO.: | CHKD |
| | | | |
| DATE | SIZE: A4 | WEIGHT: 1.0g | APPD |
| | | | |
| REVISION | SHEET | 1/1 | REVISION |
| | | | |



| PART NO | Material | Suitable SWB Terminal | Mates With XKB Wafer |
|-------------------|----------------|-----------------------|----------------------|
| X3025HM-2*XXWS-N2 | Nylon 66 94V-2 | X3025TF | X3025W |

| Poles | Dimensions(mm) | |
|-------|----------------|-------|
| | A | B |
| 2*02 | 3.00 | 24.60 |
| 2*03 | 6.00 | 27.70 |
| 2*04 | 9.00 | 30.70 |
| 2*05 | 12.00 | 33.80 |
| 2*06 | 15.00 | 36.80 |
| 2*07 | 18.00 | 39.90 |
| 2*08 | 21.00 | 42.90 |
| 2*09 | 24.00 | 46.00 |
| 2*10 | 27.00 | 49.00 |
| 2*11 | 30.00 | 51.80 |
| 2*12 | 33.00 | 54.90 |
| | | 43.46 |
| | | 49.10 |

- ① Series No. X3025 H M-2*XX WS-N2 XX
 ② Category: H-HSG
 ③ Welding Board Angle: M-Male HSG
 ④ Row No.-Pin No.: 2*XX-2*02P~2*10P
 ⑤ Plug the Pin & special No.: WS-With Base
 ⑥ Material: N2-PA66 94V-2;
 ⑦ Color: Blank-natural color Black

- Specifications:
- Voltage rating: 250V AC / DC
 - Current rating: 5A AC / DC
 - Withstanding voltage: 1500V AC/minute
 - Temperature range: -25°C~+85°C
 - Insulation resistance: ≥1000MΩ
 - Contact resistance: ≤10mΩ
 - After environmental testing: ≤20mΩ

Authorized Signatures

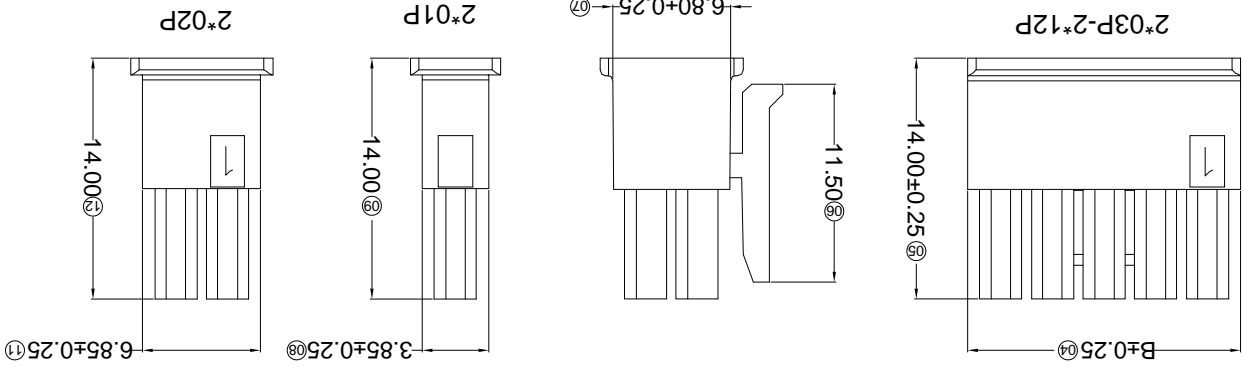
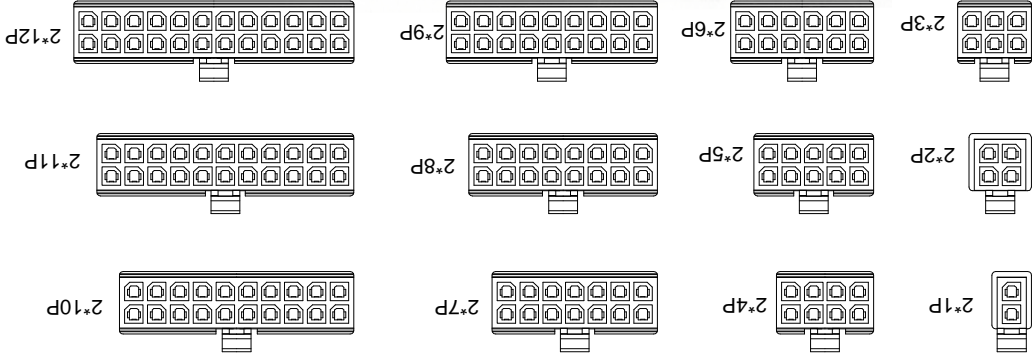
For and on behalf of
KXB INDUSTRIAL PRECISION CO., LIMITED
 香港星坤工業精密有限公司

| MARK | DESCRIPTION | DATE | REVISID | APPROVED | UNSPECIFIED TOLERANCES |
|------|-------------|------|---------|----------|------------------------|
| △ X | | | | | L > 63 |
| △ X | | | | | 16 < L ≤ 63 |
| △ X | | | | | 4 < L ≤ 16 |
| | | | | | L ≤ 4 |
| | | | | | ANGULAR |

| DATE | DATE | DATE | DATE | DATE | DATE |
|--------------|------------|--------------|------------|-----------------------------|---------------------------|
| APPD | CHKD | DWN | DSND | | |
| SIZE: A4 | UNIT: mm | VIEW: | SCALE: N/A | MODEL TYPE: X3025HM-2*XX-N2 | PART NO.: X3025HM-2*XX-N2 |
| WEIGHT: 1.0g | SHEET: 1/1 | REVISION: A0 | | | |

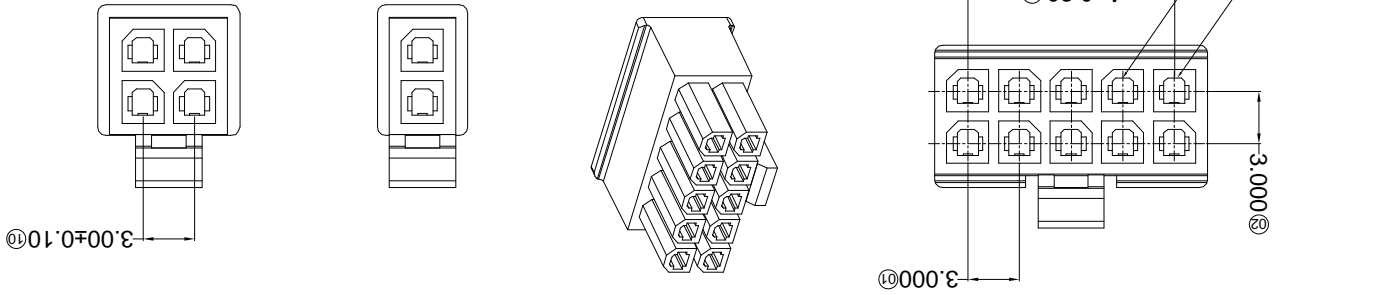
| PART NO | Material | Suitable SWB Terminal | Mates With XKB Water |
|-----------------|----------------|-----------------------|----------------------|
| X3025HM-2*XX-N2 | Nylon 66 94V-2 | X3025TF | X3025W |

| Poles | Dimensions(mm) | | Poles | Dimensions(mm) | |
|-------|----------------|-------|-------|----------------|-------|
| | A | B | | A | B |
| 2*01 | 2*07 | 18.00 | 2*01 | 18.00 | 21.85 |
| 2*02 | 3.00 | 24.00 | 2*02 | 21.00 | 24.85 |
| 2*03 | 6.00 | 27.85 | 2*03 | 24.00 | 27.85 |
| 2*04 | 9.00 | 30.85 | 2*04 | 27.00 | 30.85 |
| 2*05 | 12.00 | 33.85 | 2*05 | 30.00 | 33.85 |
| 2*06 | 15.00 | 36.85 | 2*06 | 33.00 | 36.85 |



- ① Series No. X3025 H M-2*XX XX-N2 XX
 ② Category: H-HSG
 ③ Welding Board Angle: M-Male HSG
 ④ Row No.-Pin No.: 2*XX-2*01P~2*12P
 ⑤ Plug the Pin & special No.:
 ⑥ Material: N2-PA66 94V-2;
 ⑦ Color: Blank-Natural Color

- Specifications:
 • Voltage rating: 250V AC / DC
 • Current rating: 5A AC / DC
 • Withstanding voltage: 1000V AC/minute
 • Temperature range: -25°C~+85°C
 • Insulation resistance: ≥1000MΩ
 • Contact resistance: ≤10mΩ
 • After environmental testing: ≤20mΩ



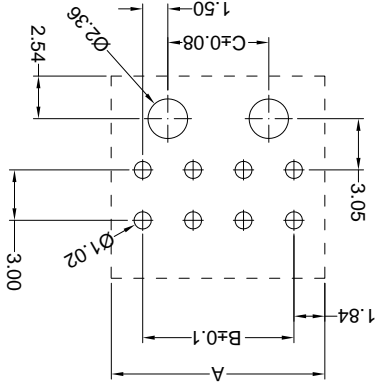
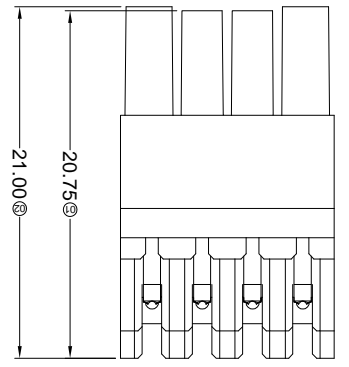
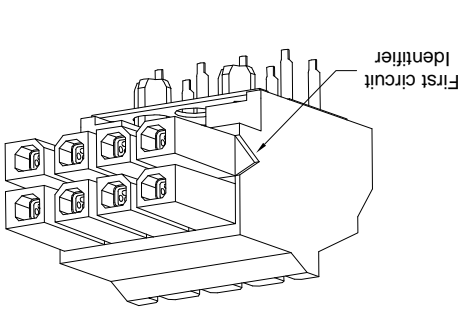
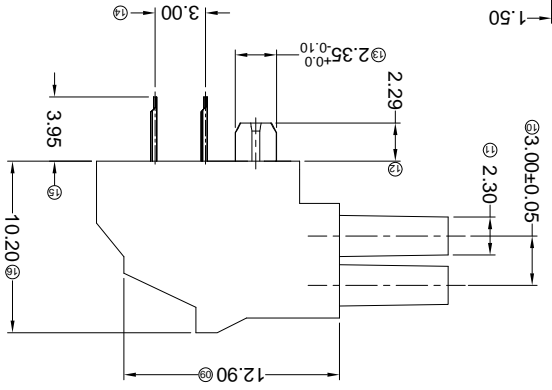
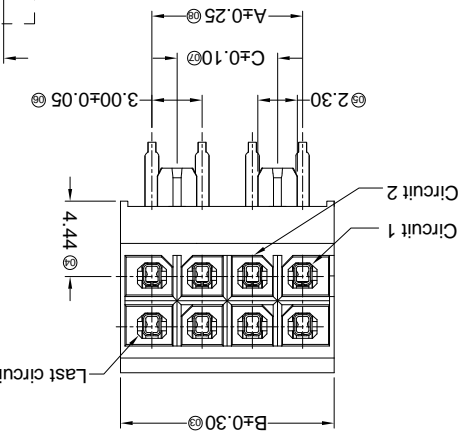
For and on behalf of
KKB INDUSTRIAL PRECISION CO., LIMITED
 香港星坤工業精密有限公司
 (Authorized Signature)

| MARK | DESCRIPTION | DATE | REVISED | APPROVED | UNSPECIFIED TOLERANCES |
|------|-------------|------|---------|----------|------------------------|
| △ X | | | | | L > 63 ± 0.5 |
| △ X | | | | | 16 > L ≤ 63 ± 0.4 |
| △ X | | | | | 4 < L ≤ 16 ± 0.3 |
| △ X | | | | | L ≤ 4 ± 0.2 |
| | | | | | ANGULAR ± 5° |

| | | | |
|----------|-------|------------|--------------------------------|
| DNSD | DATE | SCALE: N/A | MODEL TYPE: X3025HR-2*XX-LPSN |
| DWN | DATE | VIEW: | PART NO.: |
| CHKD | DATE | UNIT: mm | 3.00 mm Crimp Style Connectors |
| APPD | DATE | SIZE: A4 | DWG NO.: |
| REVISION | SHEET | WEIGHT | 1.0g |
| | | | 1/1 |
| | | | A0 |

| Part No. | Material | Material(Pin) | Finish(Pin) | Mates With |
|-------------------|--------------|---------------|-------------|---|
| X3025HR-2*XX-LPSN | LCP UL 94V-0 | Brass | Tin-Plated | X3025HW or 3025H Mates With XKB Housing |

| Poles | Dimensions(mm) | | |
|-------|----------------|-------|-------|
| | A | B | C |
| 2'02 | 3.00 | 6.70 | 2'08 |
| 2'03 | 6.00 | 9.70 | 2'09 |
| 2'04 | 9.00 | 12.70 | 2'10 |
| 2'05 | 12.00 | 15.70 | 2'11 |
| 2'06 | 15.00 | 18.70 | 2'12 |
| 2'07 | 18.00 | 21.70 | 15.00 |



- ① Series No.
- ② Category: H-HSG
- ③ Welding Board Angle: BOARD-IN-R-90°
- ④ Row No.-Pin No.: 2*XX-2*02P~2*12P
- ⑤ Plug the Pin & special No.:
- ⑥ Material: LP-LCP 94V-0;
- ⑦ Plating Category: SN-Bright tin plating
- ⑧ Color: Blank-Natural Color

X3025 H R-2*XX LP SN XX
 ① ② ③ ④ ⑤ ⑥ ⑦ ⑧

- Specifications :
- Voltage rating: 250V AC / DC
 - Current rating: 5A AC / DC
 - Withstanding voltage: 1000V AC/minute
 - Temperature range: -25°C~+85°C
 - Insulation resistance: ≥1000MΩ
 - Contact resistance: ≤10mΩ
 - After environmental testing: ≤20mΩ

For and on behalf of
KXB INDUSTRIAL PRECISION CO., LIMITED
 香港星坤工業精密有限公司

| MARK | DESCRIPTION | DATE | REVISIONS | UNSPECIFIED TOLERANCES |
|------|-------------|------|-----------|------------------------|
| △ X | | | | L > 63 ±0.5 |
| △ X | | | | 16 < L ≤ 63 ±0.4 |
| △ X | | | | 4 < L ≤ 16 ±0.3 |
| △ X | | | | L ≤ 4 ±0.2 |
| | | | | ANGULAR ±5° |

| REVISIONS | DATE | APPROVED | REVISED | DESCRIPTION |
|-----------|------|----------|---------|-------------|
| | | | | |

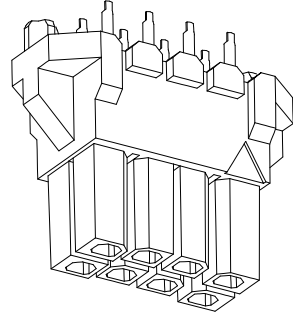
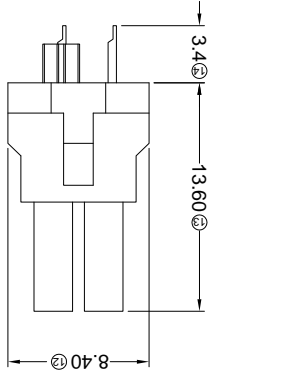
| MARK | DESCRIPTION | DATE | REVISIONS |
|------|-------------|------|-----------|
| △ X | | | |
| △ X | | | |
| △ X | | | |

| Part No. | Material | Material(Pin) | Finish(Pin) | Mates With |
|-------------------|--------------|---------------|-------------|---|
| X3025HV-2*XX-LPSN | LCP UL 94V-0 | Brass | Tin-Plated | X3025HW or 3025H Mates With KXB Housing |

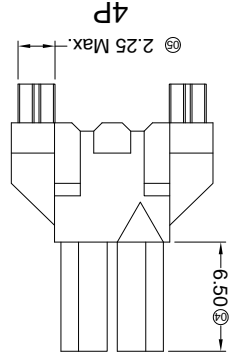
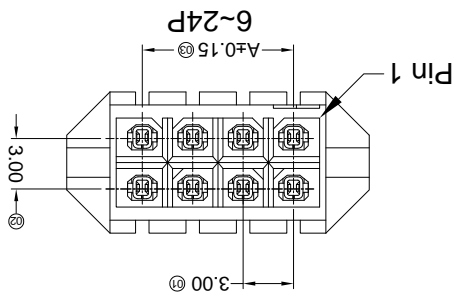
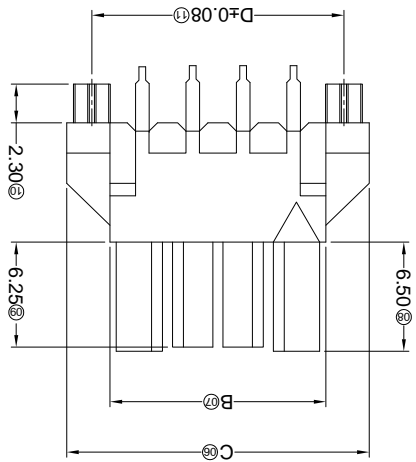
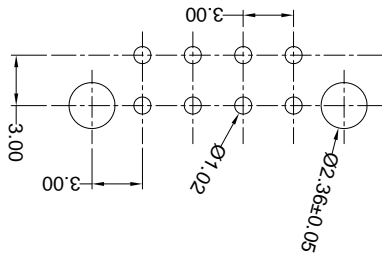
| Poles | Dimensions(mm) | | | |
|-------|----------------|-------|-------|-------|
| | A | B | C | D |
| 2*02 | 3.00 | 6.85 | 12.00 | 9.00 |
| 2*03 | 6.00 | 9.85 | 15.00 | 12.00 |
| 2*04 | 9.00 | 12.85 | 18.00 | 15.00 |
| 2*05 | 12.00 | 15.85 | 21.00 | 18.00 |
| 2*06 | 15.00 | 18.85 | 24.00 | 21.00 |
| 2*07 | 18.00 | 21.85 | 27.00 | 24.00 |
| 2*08 | 21.00 | 24.85 | 30.00 | 27.00 |
| 2*09 | 24.00 | 27.85 | 33.00 | 30.00 |
| 2*10 | 27.00 | 30.85 | 36.00 | 33.00 |
| 2*11 | 30.00 | 33.85 | 39.00 | 36.00 |
| 2*12 | 33.00 | 36.85 | 42.00 | 39.00 |

- ① Series No.
 - ② Category: H-HSG
 - ③ Welding Board Angle: BOARD-IN: V-180°
 - ④ Row No.-Pin No.: 2*XX-2*02P~2*12P
 - ⑤ Plug the Pin & special No.:
 - ⑥ Material: LP-LCP 94V-0;
 - ⑦ Plating Category: SN-Bright tin plating
 - ⑧ Color: Blank-Natural Color
- X3025 H V-2*XX LP SN XX

- Specifications:
- Voltage rating: 250V AC / DC
 - Current rating: 5A AC / DC
 - Withstanding voltage: 1000V AC/minute
 - Temperature range: -25°C~+85°C
 - Insulation resistance: ≥1000MΩ
 - Contact resistance: ≤10mΩ
 - After environmental testing: ≤20mΩ



Recommended P.C.B Layout



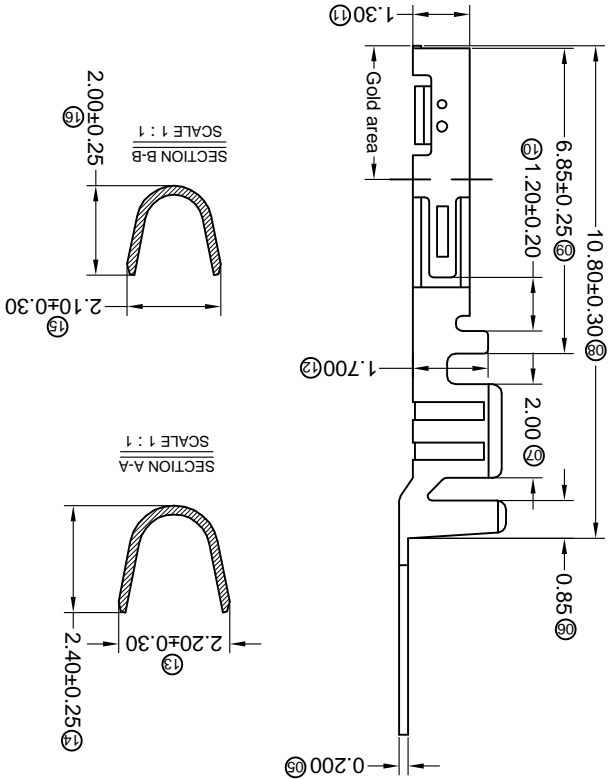
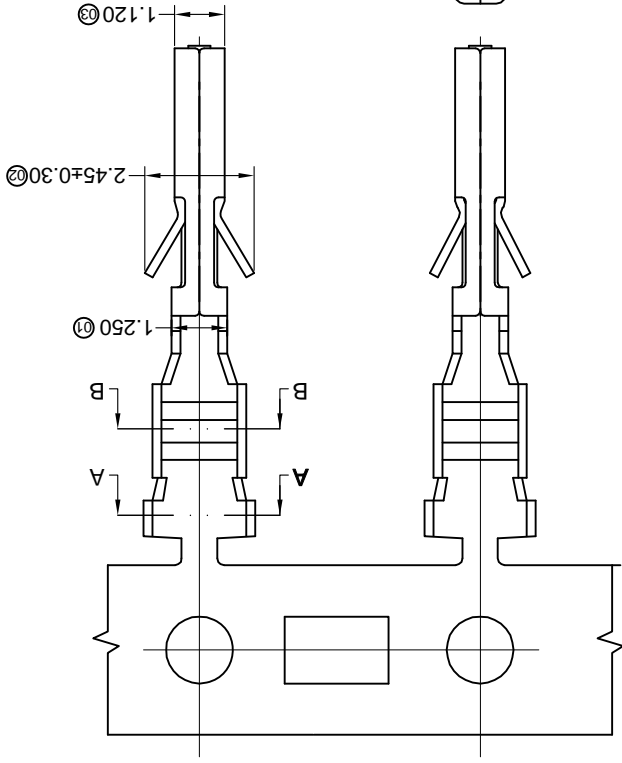
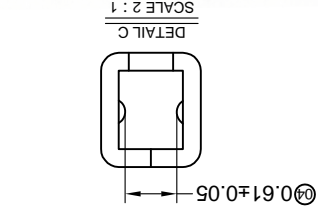
For and on behalf of
XKB INDUSTRIAL PRECISION CO., LIMITED
 香港星坤工業精密有限公司

REVISIONS
 (Authorized Signatures)

| MARK | DESCRIPTION | DATE | REVISED | APPROVED | UNSPECIFIED TOLERANCES |
|------|-------------|------|---------|----------|------------------------|
| △ X | | | | | L > 63 ± 0.5 |
| △ X | | | | | 16 > L ≤ 63 ± 0.4 |
| △ X | | | | | 4 < L ≤ 16 ± 0.3 |
| △ X | | | | | L ≤ 4 ± 0.2 |
| | | | | | ANGULAR ± 5° |

| DATE | DATE | DATE | DATE | DATE | DATE |
|--------------------------|-----------|--------------------------------|----------|--------------|------|
| DNSD | DWN | CHKD | APPD | | |
| SCALE: N/A | VIEW: | UNIT: mm | SIZE: A4 | | |
| MODEL TYPE: X3025TF-PXXX | PART NO.: | 3.00 mm Crimp Style Connectors | | DWG NO.: | |
| | | | | WEIGHT: 1.0g | |
| | | | | SHEET: 1/1 | |
| | | | | REVISION: A0 | |

| PART NO | Material | Wire Range | Insulation O.D. | Finish | Used in XKB Housing |
|--------------|-----------------|------------|-----------------|--|---------------------|
| X3025TF-PG30 | Phosphor Bronze | AWG#20-24 | 1.85mm(Max) | Stamping Before Plating:30~50u" Ni;Contact Area Gold:30u" Min. | X3025HM |
| X3025TF-PG15 | | | | Stamping Before Plating:30~50u" Ni;Contact Area Gold:15u" Min. | |
| X3025TF-PG01 | | | | Stamping Before Plating:30~50u" Ni;Contact Area Gold Flash | |
| X3025TF-PSN | | | | Stamping Before Plating:30~50u" Ni;70~120u" Sn | |



X3025 T F-P XX X-X
 ① Series Number
 ② Category: T-terminal
 ③ Shape: F-Female Terminal
 ④ Material: P-Phosphor bronze
 ⑤ Plating style:
 ⑥ G-Gold-Plated Contact
 *01-Gold Flash *15-15u" *30-30u"
 SN-Bright tin plating 70-120u"
 ⑦ Plating method:
 Blank-Stamping before plating
 ⑧ Mold No./Mark/Special No.

- Specifications :
- Voltage rating: 250V AC / DC
 - Current rating: 5A AC / DC
 - Withstanding voltage: 1000V AC/minute
 - Temperature range: -40°C~+85°C
 - Insulation resistance: ≥1000MΩ
 - Contact resistance: ≤10mΩ
 - After environmental testing: ≤20mΩ

For and on behalf of
KXB INDUSTRIAL PRECISION CO., LIMITED
 香港星坤工業精密有限公司

REVISIONS
 Authorized Signature(s)

| MARK | DESCRIPTION | DATE | REVISED | APPROVED | UNSPECIFIED TOLERANCES |
|------|-------------|------|---------|----------|------------------------|
| △ X | | | | | L > 63 |
| △ X | | | | | 16 > L ≤ 63 |
| △ X | | | | | 4 < L ≤ 16 |
| | | | | | L ≤ 4 |
| | | | | | ANGULAR |
| | | | | | ± 5° |

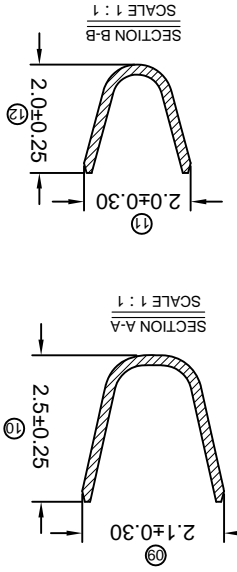
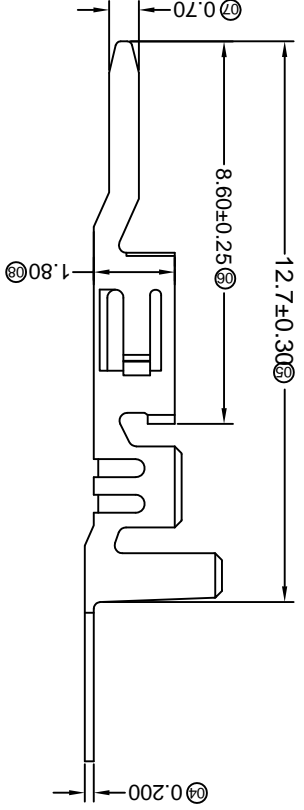
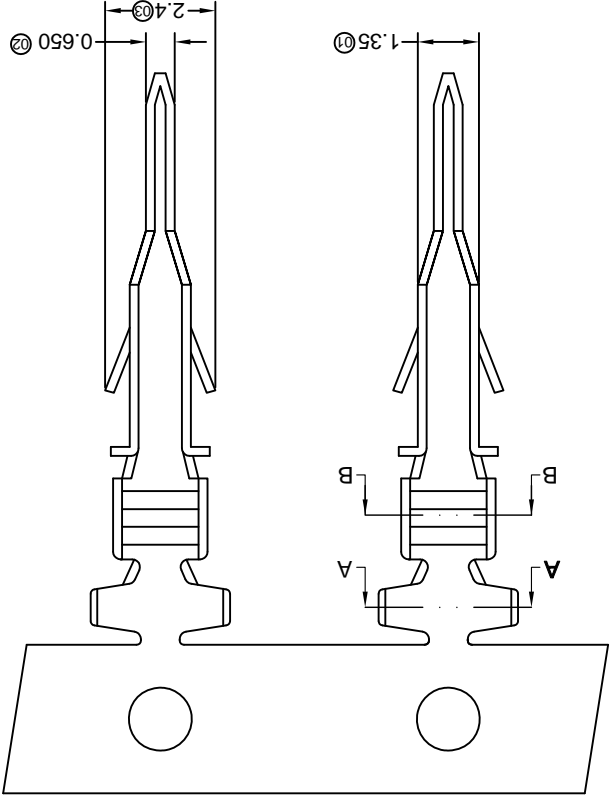
| REVISION | SHEET | WEIGHT | SIZE | DATE | DATE | DATE | DATE |
|----------|-------|--------|------|------|------|------|------|
| A0 | 1/1 | 1.0g | A4 | | | | |

KXB INDUSTRIAL PRECISION CO., LIMITED

| MODEL TYPE | SCALE | DATE | VIEW | UNIT | DATE | DATE | DATE |
|--------------------------------|-------|------|-------|------|------|------|------|
| X3025TM-PXX | N/A | | VIEW: | mm | | | |
| PART NO.: | | | | | | | |
| 3.00 mm Crimp Style Connectors | | | | | | | |
| DWG NO.: | | | | | | | |

| PART NO | Material | Wire Range | Insulation O.D. | Finish |
|--------------|-----------------|------------|-----------------|---|
| X3025TM-PSN | Phosphor Bronze | AWG#20-24 | 1.85mm(Max) | Stamping Before Plating:30u" Ni;70u" Sn |
| X3025TM-PG01 | | | | Stamping Before Plating:30u" Ni>Contact Area Gold Flash |
| X3025TM-PG15 | | | | Stamping Before Plating:30u" Ni>Contact Area Gold:15u" Min. |
| X3025TM-PG30 | | | | Stamping Before Plating:30u" Ni>Contact Area Gold:30u" Min. |

Used in XKB Housing



- Specifications :**
- Voltage rating: 250V AC / DC
 - Current rating: 5A AC / DC
 - Withstanding voltage: 1000V AC/minute
 - Temperature range: -25°C~+85°C
 - Insulation resistance: ≥1000MΩ
 - Contact resistance: ≤10mΩ
 - After environmental testing: ≤20mΩ
- X3025 T-M-P XX X-X
- ① Series Number
 - ② Category: T-terminal
 - ③ Shape: M-Male Terminal
 - ④ Material: P-Phosphor bronze
 - ⑤ Plating style: G-Gold-Plated Contact
 - ⑥ SN-Bright tin plating 70u"
 - ⑦ *01-Gold Flash *15-15u" *30-30u"
 - ⑧ Plating method: Blank-Stamping before plating
 - ⑨ Mold No./Mark/Special No.

For and on behalf of
KKB INDUSTRIAL PRECISION CO., LIMITED
 香港星坤工業精密有限公司

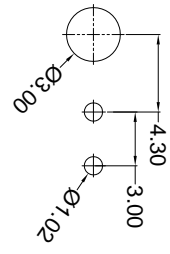
REVISIONS
 Authorized Signatures(s)

| MARK | DESCRIPTION | DATE | REVISED | APPROVED | UNSPECIFIED TOLERANCES |
|------|-------------|------|---------|----------|------------------------|
| △ X | | | | | L > 63 ± 0.5 |
| △ X | | | | | 16 > L ≤ 63 ± 0.4 |
| △ X | | | | | 4 < L ≤ 16 ± 0.3 |
| | | | | | L ≤ 4 ± 0.2 |
| | | | | | ANGULAR ± 5° |

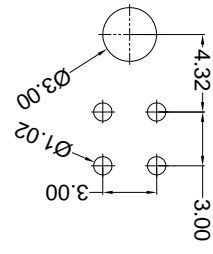
| DATE | SCALE: N/A | MODEL TYPE: X3025WR-2*XX-N0XXX | VIEW: | DATE | DATE | DATE | SIZE: A4 | WEIGHT: 1.0g | SHEET: 1/1 | REVISION: A0 |
|------|------------|--------------------------------|-------|------|------|------|----------|--------------|------------|--------------|
| DNSD | | | | | | | | | | |
| DWN | | | | | | | | | | |
| CHKD | | | | | | | | | | |
| APPD | | | | | | | | | | |

| Part No. | Material | Material(Pin) | Finish(Pin) | Mates With KKB Housing |
|--------------------|-------------------|---------------|--------------|------------------------|
| X3025WR-2*XX-N0S0N | Nylon 66 UL 94V-0 | Brass | Tin-Plated | X3025H |
| X3025WR-2*XX-N0G01 | Nylon 66 UL 94V-0 | Brass | Contact Gold | |

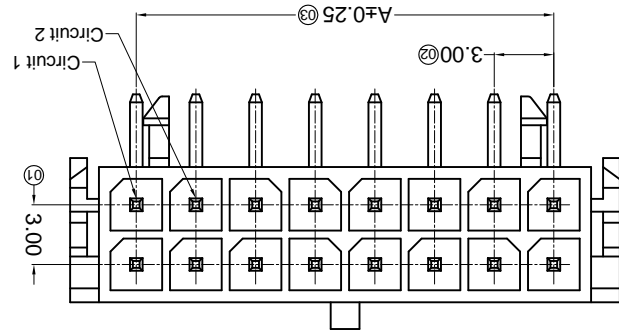
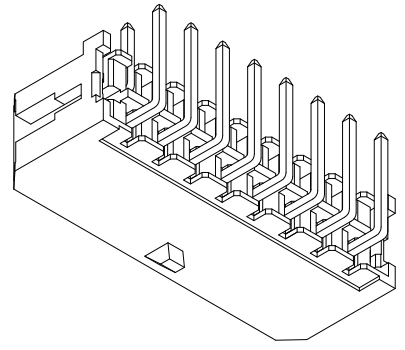
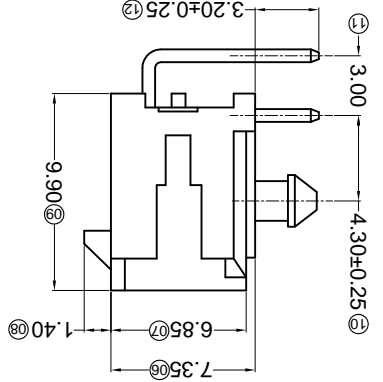
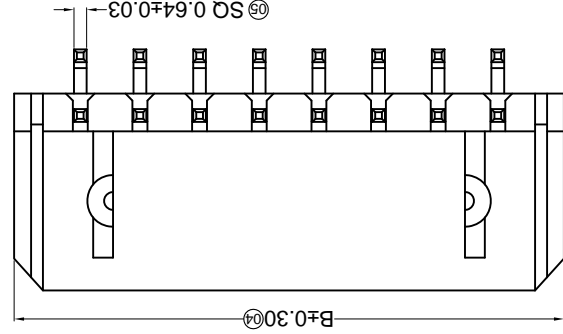
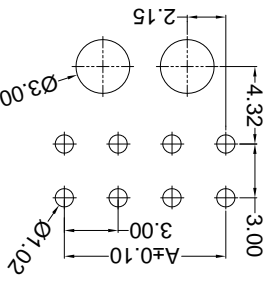
2P P.C.B LAYOUT



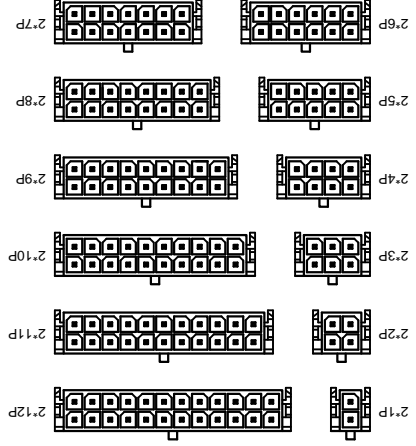
4P-6P P.C.B LAYOUT



8P-24P P.C.B LAYOUT



Scale 1:3



| Dimensions (mm) | A | B |
|-----------------|-------|-------|
| 2*01 | --- | 6.65 |
| 2*02 | 3.00 | 9.65 |
| 2*03 | 6.00 | 12.65 |
| 2*04 | 9.00 | 15.65 |
| 2*05 | 12.00 | 18.65 |
| 2*06 | 15.00 | 21.65 |
| 2*07 | 18.00 | 24.65 |
| 2*08 | 21.00 | 27.65 |
| 2*09 | 24.00 | 30.65 |
| 2*10 | 27.00 | 33.65 |
| 2*11 | 30.00 | 36.65 |
| 2*12 | 33.00 | 39.65 |

- ① Series No.
- ② Category: W-water
- ③ Welding Board Angle: R-90°
- ④ Welding Way: Blank-DIP
- ⑤ Row No.-Pin No.: 2*XX-2*01P-2*12P
- ⑥ Special NO.:
- ⑦ Material: N0-PA66 94V-0
- ⑧ Plating Category: G01-Contact Gold Flash; SN-Bright tin plating
- ⑨ Color: Blank-natural color

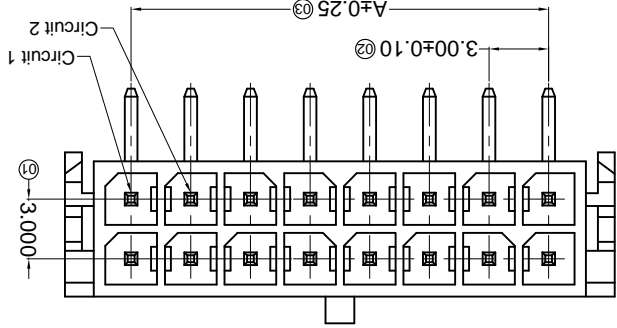
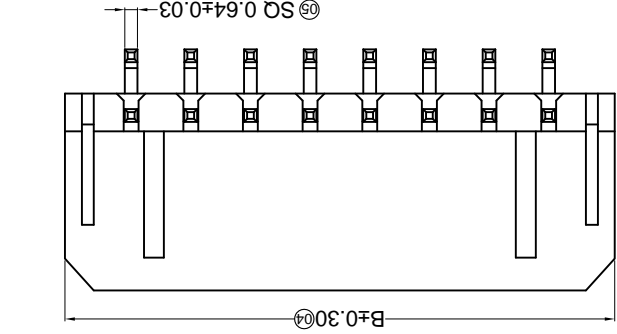
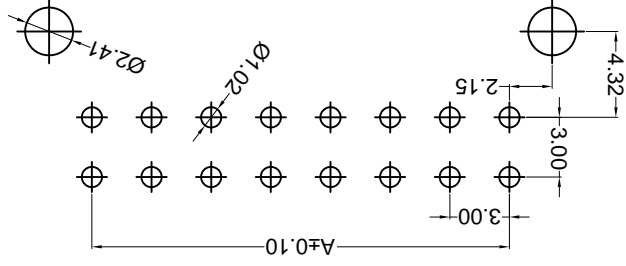
- Specifications:
- Voltage rating: 250V AC / DC
- Current rating: 5A AC / DC
- Withstanding voltage: 1000V AC/minute
- Temperature range: -25°C~+85°C
- Insulation resistance: ≥1000MΩ
- Contact resistance: ≤10mΩ
- After environmental testing: ≤20mΩ

For and on behalf of
XKB INDUSTRIAL PRECISION CO., LIMITED
 香港星坤工業精密有限公司
 REVISIONS
 Authorized Signature(s)

| MARK | DESCRIPTION | DATE | REVISED | APPROVED | UNSPECIFIED TOLERANCES |
|------|-------------|------|---------|----------|------------------------|
| △ X | | | | | L > 63 ±0.5 |
| △ X | | | | | 16 < L ≤ 63 ±0.4 |
| △ X | | | | | 4 < L ≤ 16 ±0.3 |
| | | | | | L ≤ 4 ±0.2 |
| | | | | | ANGULAR ±5° |

| MODEL TYPE | SCALE | DATE | DATE | DATE | DATE | SIZE |
|-------------------------------|-------|--------|--|------|------|----------|
| X3025WR-2*XXB-XXSN | N/A | | | | | A4 |
| PART NO.: | VIEW: | DATE | DATE | DATE | DATE | UNIT: mm |
| 300 mm Crimp Style Connectors | | | | | | |
| DWG NO.: | | | | | | |
| REVISION | SHEET | WEIGHT | XKB INDUSTRIAL PRECISION CO., LIMITED | | | |
| A0 | 1/1 | 1.0g | | | | |

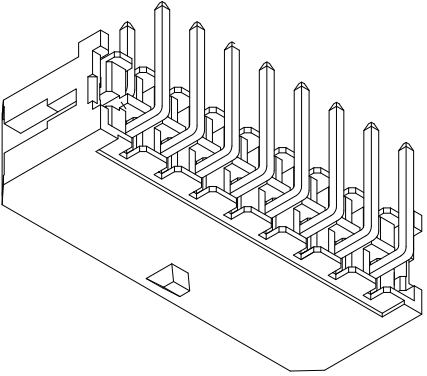
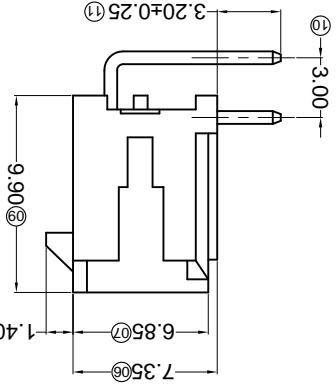
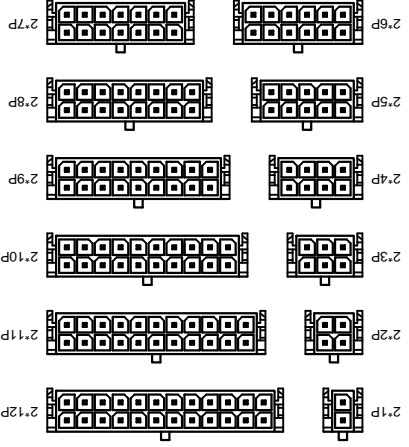
Recommended P.C.B Layout
 General Tolerance±0.05



| Poles | Dimensions (mm) | | Poles | | Dimensions (mm) | |
|-------|-----------------|-------|-------|-------|-----------------|-------|
| | A | B | A | B | A | B |
| 2*01 | --- | 6.65 | 2*07 | 18.00 | 24.65 | 24.65 |
| 2*02 | 3.00 | 9.65 | 2*08 | 21.00 | 27.65 | 27.65 |
| 2*03 | 6.00 | 12.65 | 2*09 | 24.00 | 30.65 | 30.65 |
| 2*04 | 9.00 | 15.65 | 2*10 | 27.00 | 33.65 | 33.65 |
| 2*05 | 12.00 | 18.65 | 2*11 | 30.00 | 36.65 | 36.65 |
| 2*06 | 15.00 | 21.65 | 2*12 | 33.00 | 39.65 | 39.65 |

| Part No. | Material | Material(Pin) | Finish(Pin) | Mates With XKB Housing |
|---------------------|-------------------|---------------|-------------|------------------------|
| X3025WR-2*XXB-L-PSN | LCP UL 94V-0 | Brass | Tin-Plated | X3025H |
| X3025WR-2*XXB-46SN | Nylon 46 UL 94V-0 | | | |
| X3025WR-2*XXB-N0SN | Nylon 66 UL 94V-0 | | | |

Scale 1:3



- X3025 W R X-2*XX B-XX XX XX
- ① Series No.
 - ② Category: W-water
 - ③ Welding Board Angle: R-90°
 - ④ Welding Way: Blank-DIP
 - ⑤ Row No.-Pin No.: 2*XX-2*01P-2*12P
 - ⑥ Special NO.: B-Without positioning column
 - ⑦ Material: 46-PA46 94V-0 N0-PA66 94V-0 LP-LCP 94V-0
 - ⑧ Planting Category: SN-Bright tin plating
 - ⑨ Color: Blank-natural color

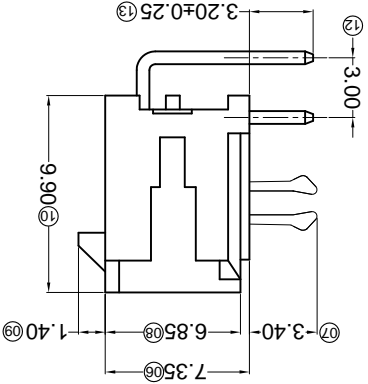
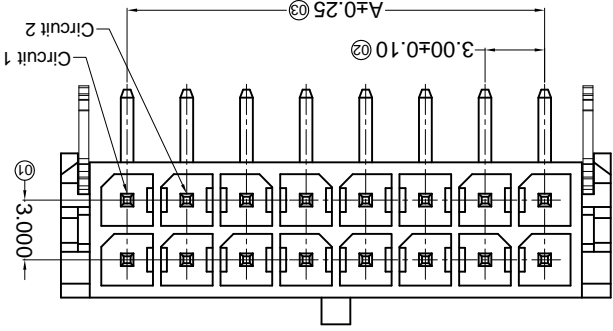
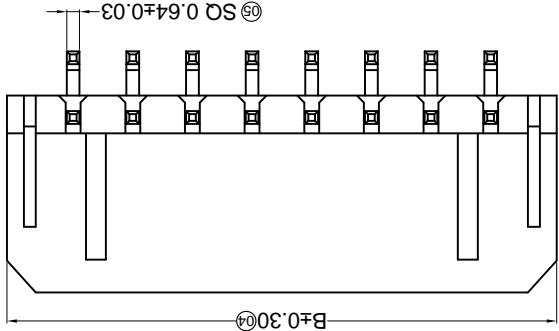
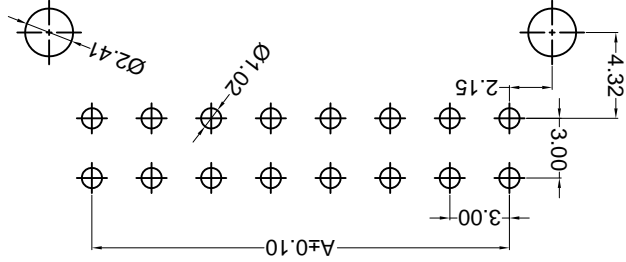
- Specifications :
- Voltage rating: 250V AC / DC
 - Current rating: 5A AC / DC
 - Withstanding voltage: 1000V AC/minute
 - Temperature range: -25°C~+85°C
 - Insulation resistance: ≥1000MΩ
 - Contact resistance: ≤10mΩ
 - After environmental testing: ≤20mΩ

For and on behalf of
XKB INDUSTRIAL PRECISION CO., LIMITED
 香港星坤工業精密有限公司

REVISIONS
 Authorized Signature(s)

| MARK | DESCRIPTION | DATE | REVISED | APPROVED | UNSPECIFIED TOLERANCES |
|------|-------------|------|---------|----------|------------------------|
| △ X | | | | | L > 63 ± 0.5 |
| △ X | | | | | 16 < L ≤ 63 ± 0.4 |
| △ X | | | | | 4 < L ≤ 16 ± 0.3 |
| △ X | | | | | L ≤ 4 ± 0.2 |
| | | | | | ANGULAR ± 5° |

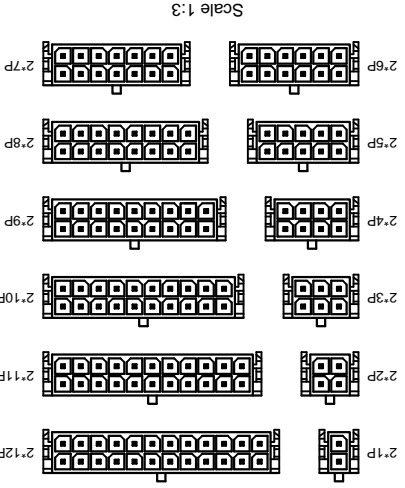
Recommended P.C.B Layout
 General Tolerance ± 0.05



Specifications :

- Voltage rating: 250V AC / DC
- Current rating: 5A AC / DC
- Withstanding voltage: 1000V AC/minute
- Temperature range: -25°C~+85°C
- Insulation resistance: ≥1000MΩ
- Contact resistance: ≤10mΩ
- After environmental testing: ≤20mΩ

- X3025 W R X-2*XX C-XX XX XX
- ① Series No.
 - ② Category: W-water
 - ③ Welding Board Angle: R-90°
 - ④ Welding Way: Blank-DIP
 - ⑤ Row No.-Pin No.: 2*XX-2*01P~2*12P
 - ⑥ Special NO.: C-The harpoon
 - ⑦ Material: 46-PA46 94V-0 NO-PA66 94V-0 LP-LCP 94V-0
 - ⑧ Plating Category: G*:Gold-Plated Contact *02-2u"
 - ⑨ Color: Blank-natural color



| Poles | A | B | Dimensions (mm) |
|-------|-------|-------|-----------------|
| 2*01 | --- | 6.65 | |
| 2*02 | 3.00 | 9.65 | |
| 2*03 | 6.00 | 12.65 | |
| 2*04 | 9.00 | 15.65 | |
| 2*05 | 12.00 | 18.65 | |
| 2*06 | 15.00 | 21.65 | |
| 2*07 | 18.00 | 24.65 | |
| 2*08 | 21.00 | 27.65 | |
| 2*09 | 24.00 | 30.65 | |
| 2*10 | 27.00 | 33.65 | |
| 2*11 | 30.00 | 36.65 | |
| 2*12 | 33.00 | 39.65 | |

| Part No. | Material | Material(Pin) | Finish(Pin) | Mates With(XB Housing) |
|---------------------|-------------------|-------------------|-------------|------------------------|
| X3025WR-2*XXC-N0G02 | Nylon 66 UL 94V-0 | LCP UL 94V-0 | Gold Flash | X3025H |
| X3025WR-2*XXC-LP5N | Nylon 66 UL 94V-0 | LCP UL 94V-0 | Tin-Plated | |
| X3025WR-2*XXC-46SN | Nylon 46 UL 94V-0 | Nylon 46 UL 94V-0 | Tin-Plated | |
| X3025WR-2*XXC-N0SN | Nylon 66 UL 94V-0 | Nylon 66 UL 94V-0 | Tin-Plated | |

| DSND | DATE | SCALE: N/A | MODEL TYPE: X3025WR-2*XXC-XXX |
|------|--|------------|--------------------------------|
| APPD | DATE <td>SIZE: A4</td> <td>DWG NO.:</td> | SIZE: A4 | DWG NO.: |
| CHKD | DATE <td>UNIT: mm</td> <td>3.00 mm Crimp Style Connectors</td> | UNIT: mm | 3.00 mm Crimp Style Connectors |
| DWN | DATE <td>VIEW: ①</td> <td>PART NO.:</td> | VIEW: ① | PART NO.: |
| | | | REVISION |
| | | | SHEET |
| | | | WEIGHT |
| | | | 1.0g |
| | | | 1/1 |
| | | | A0 |

XKB INDUSTRIAL PRECISION CO., LIMITED

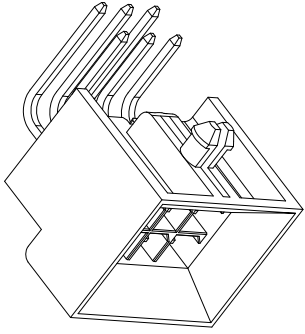
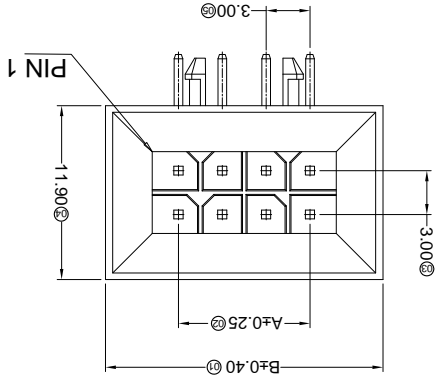
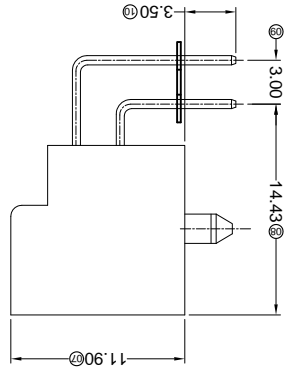
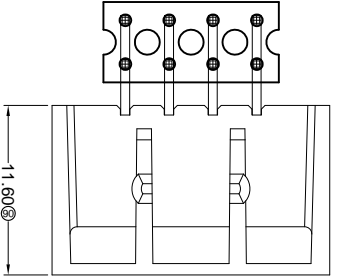
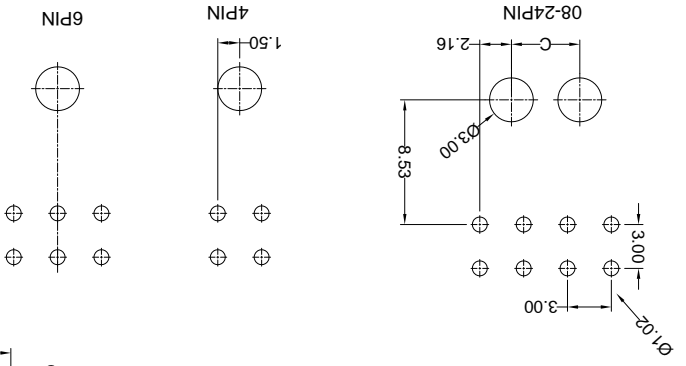
For and on behalf of
KXB INDUSTRIAL PRECISION CO., LIMITED
 香港星坤工業精密有限公司

REVISIONS
 (Authorized Signatures)

| MARK | DESCRIPTION | DATE | REVISED | APPROVED | UNSPECIFIED TOLERANCES |
|------|-------------|------|---------|----------|------------------------|
| △ X | | | | | L > 63 |
| △ X | | | | | 16 < L ≤ 63 |
| △ X | | | | | 4 < L ≤ 16 |
| △ X | | | | | L ≤ 4 |
| | | | | | ANGULAR |
| | | | | | ± 5° |

| DATE | DATE | DATE | DATE | DATE | DATE |
|--------------------------------|-----------|--------------------------------|----------|----------|------|
| DSND | DWN | CHKD | APPD | | |
| SCALE: N/A | VIEW: | UNIT: mm | SIZE: A4 | | |
| MODEL TYPE: X3025WR-2*XXH-LPSN | PART NO.: | 3.00 mm Crimp Style Connectors | | DWG NO.: | |
| | | | | WEIGHT | 1.0g |
| | | | | SHEET | 1/1 |
| | | | | REVISION | A0 |

PCB LAYOUT : Component side



| Part No. | Material | Material(Pin) | Finish(Pin) | Mates With XKB Housing |
|--------------------|--------------|---------------|-------------|------------------------|
| X3025WR-2*XXH-LPSN | LCP UL 94V-0 | Brass | Tin-Plated | X3025H |

| Poles | Dimensions (mm) | | |
|-------|-----------------|-------|-------|
| | A | B | C |
| 2*02 | 3.00 | 13.00 | 2*08 |
| 2*03 | 6.00 | 16.00 | 2*09 |
| 2*04 | 9.00 | 19.00 | 4.68 |
| 2*05 | 12.00 | 22.00 | 7.68 |
| 2*06 | 15.00 | 25.00 | 10.68 |
| 2*07 | 18.00 | 28.00 | 13.68 |

X3025 W R X-2*XX H-LP SN XX
 ①① Series No.
 ①② Category: W-water
 ①③ Welding Board Angle: R-90°
 ①④ Welding Way: Blank-DIP
 ①⑤ Row No.-Pin No.: 2*XX-2*01P~2*12P
 ①⑥ Special NO.: H-With Base and positioning column
 ①⑦ Material: LP-LCP 94V-0
 ①⑧ Planting Category: SN-Bright tin plating
 ①⑨ Color: Blank-natural color

- **Specifications :**
- Voltage rating: 250V AC / DC
 - Current rating: 5A AC / DC
 - Withstanding voltage: 1500V AC/minute
 - Temperature range: -25°C~+85°C
 - Insulation resistance: ≥1000MΩ
 - Contact resistance: ≤10mΩ
 - After environmental testing: ≤20mΩ

REVISIONS
 (Authorized Signatures)

| MARK | DESCRIPTION | DATE | REVISED | APPROVED | UNSPECIFIED TOLERANCES |
|------|-------------|------|---------|----------|------------------------|
| △ X | | | | | L > 63 ± 0.5 |
| △ X | | | | | 16 < L ≤ 63 ± 0.4 |
| △ X | | | | | 4 < L ≤ 16 ± 0.3 |
| △ X | | | | | L ≤ 4 ± 0.2 |
| | | | | | ANGULAR ± 5° |

For and on behalf of
 KXB INDUSTRIAL PRECISION CO., LIMITED
 香港星坤工業精密有限公司

KXB INDUSTRIAL PRECISION CO., LIMITED

| DATE | SCALE: N/A | MODEL TYPE: | REVISION |
|------|------------|---------------------|----------|
| | | X3025WRS-2*XXA-LPXX | A0 |
| | | | 1/1 |
| | | | WEIGHT |
| | | | 1.0g |
| | | | SHEET |
| | | | 7 |
| | | | 8 |

| DATE | SCALE: N/A | MODEL TYPE: | REVISION |
|------|------------|---------------------|----------|
| | | X3025WRS-2*XXA-LPXX | A0 |
| | | | 1/1 |
| | | | WEIGHT |
| | | | 1.0g |
| | | | SHEET |
| | | | 7 |
| | | | 8 |

| DATE | SCALE: N/A | MODEL TYPE: | REVISION |
|------|------------|---------------------|----------|
| | | X3025WRS-2*XXA-LPXX | A0 |
| | | | 1/1 |
| | | | WEIGHT |
| | | | 1.0g |
| | | | SHEET |
| | | | 7 |
| | | | 8 |

| DATE | SCALE: N/A | MODEL TYPE: | REVISION |
|------|------------|---------------------|----------|
| | | X3025WRS-2*XXA-LPXX | A0 |
| | | | 1/1 |
| | | | WEIGHT |
| | | | 1.0g |
| | | | SHEET |
| | | | 7 |
| | | | 8 |

| DATE | SCALE: N/A | MODEL TYPE: | REVISION |
|------|------------|---------------------|----------|
| | | X3025WRS-2*XXA-LPXX | A0 |
| | | | 1/1 |
| | | | WEIGHT |
| | | | 1.0g |
| | | | SHEET |
| | | | 7 |
| | | | 8 |

| DATE | SCALE: N/A | MODEL TYPE: | REVISION |
|------|------------|---------------------|----------|
| | | X3025WRS-2*XXA-LPXX | A0 |
| | | | 1/1 |
| | | | WEIGHT |
| | | | 1.0g |
| | | | SHEET |
| | | | 7 |
| | | | 8 |

| DATE | SCALE: N/A | MODEL TYPE: | REVISION |
|------|------------|---------------------|----------|
| | | X3025WRS-2*XXA-LPXX | A0 |
| | | | 1/1 |
| | | | WEIGHT |
| | | | 1.0g |
| | | | SHEET |
| | | | 7 |
| | | | 8 |

| DATE | SCALE: N/A | MODEL TYPE: | REVISION |
|------|------------|---------------------|----------|
| | | X3025WRS-2*XXA-LPXX | A0 |
| | | | 1/1 |
| | | | WEIGHT |
| | | | 1.0g |
| | | | SHEET |
| | | | 7 |
| | | | 8 |

| DATE | SCALE: N/A | MODEL TYPE: | REVISION |
|------|------------|---------------------|----------|
| | | X3025WRS-2*XXA-LPXX | A0 |
| | | | 1/1 |
| | | | WEIGHT |
| | | | 1.0g |
| | | | SHEET |
| | | | 7 |
| | | | 8 |

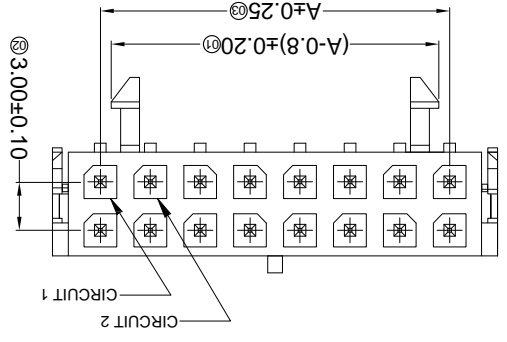
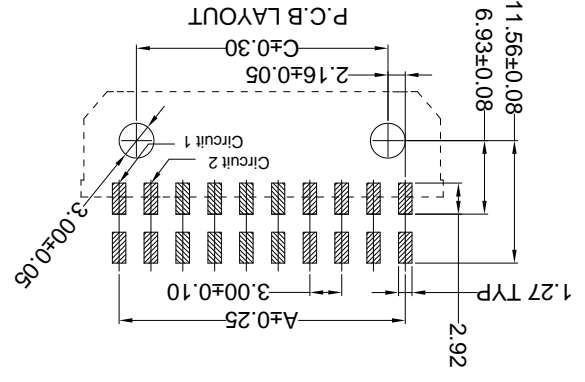
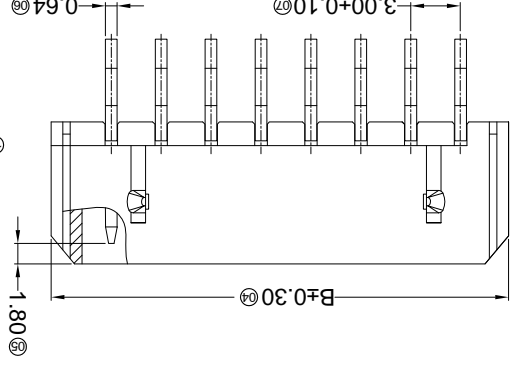
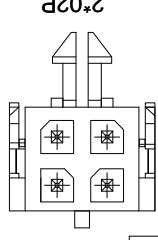
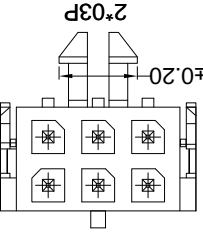
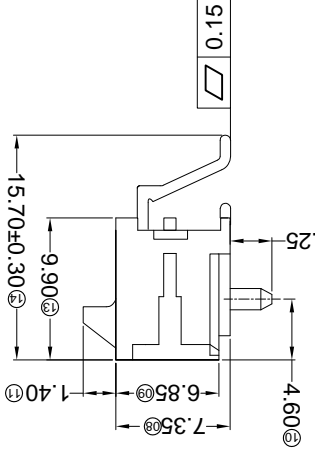
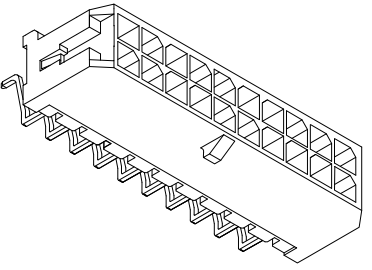
| DATE | SCALE: N/A | MODEL TYPE: | REVISION |
|------|------------|---------------------|----------|
| | | X3025WRS-2*XXA-LPXX | A0 |
| | | | 1/1 |
| | | | WEIGHT |
| | | | 1.0g |
| | | | SHEET |
| | | | 7 |
| | | | 8 |

| DATE | SCALE: N/A | MODEL TYPE: | REVISION |
|------|------------|---------------------|----------|
| | | X3025WRS-2*XXA-LPXX | A0 |
| | | | 1/1 |
| | | | WEIGHT |
| | | | 1.0g |
| | | | SHEET |
| | | | 7 |
| | | | 8 |

| DATE | SCALE: N/A | MODEL TYPE: | REVISION |
|------|------------|---------------------|----------|
| | | X3025WRS-2*XXA-LPXX | A0 |
| | | | 1/1 |
| | | | WEIGHT |
| | | | 1.0g |
| | | | SHEET |
| | | | 7 |
| | | | 8 |

| DATE | SCALE: N/A | MODEL TYPE: | REVISION |
|------|------------|---------------------|----------|
| | | X3025WRS-2*XXA-LPXX | A0 |
| | | | 1/1 |
| | | | WEIGHT |
| | | | 1.0g |
| | | | SHEET |
| | | | 7 |
| | | | 8 |

| DATE | SCALE: N/A | MODEL TYPE: | REVISION |
|------|------------|---------------------|----------|
| | | X3025WRS-2*XXA-LPXX | A0 |
| | | | 1/1 |
| | | | WEIGHT |
| | | | 1.0g |
| | | | SHEET |
| | | | 7 |
| | | | 8 |



- Specifications :
- Voltage rating: 250V AC / DC
 - Current rating: 5A AC / DC
 - Withstanding voltage: 1000V AC/minute
 - Temperature range: -25°C~+85°C
 - Insulation resistance: >1000MΩ
 - Contact resistance: <10mΩ
 - After environmental testing: <20mΩ

X3025 W R S-2*XX A-LP XX XX
 ① Series No.
 ② Category: W-water
 ③ Welding Board Angle: R- Right Angle 90°
 ④ Welding Way: S-SMT
 ⑤ Row No.-Pin No.: 2*XX-2*01P-2*12P
 ⑥ Plug the Pin & Special No.: A-With Post
 ⑦ Material: LP-LCP 94V-0
 ⑧ Planting Category: SN-Bright tin plating
 ⑨ Color: Blank-natural color

For and on behalf of
KXB INDUSTRIAL PRECISION CO., LIMITED
 香港星坤工業精密有限公司

REVISIONS
 Authorized Signatures(s)

| MARK | DESCRIPTION | DATE | REVISED | APPROVED | UNSPECIFIED TOLERANCES |
|------|-------------|------|---------|----------|------------------------|
| △ X | | | | | L > 63 |
| △ X | | | | | 16 < L ≤ 63 |
| △ X | | | | | 4 < L ≤ 16 |
| △ X | | | | | L ≤ 4 |
| | | | | | ANGULAR ± 5° |
| | | | | | ± 0.5 |

| REVISION | SHEET | WEIGHT | 8 |
|----------|-------|--------|---|
| A0 | 1/1 | 1.0g | |

| DATE | SCALE: N/A | MODEL TYPE: X3025WRS-2*XXC-XXXX |
|------|------------|---------------------------------|
| | | |

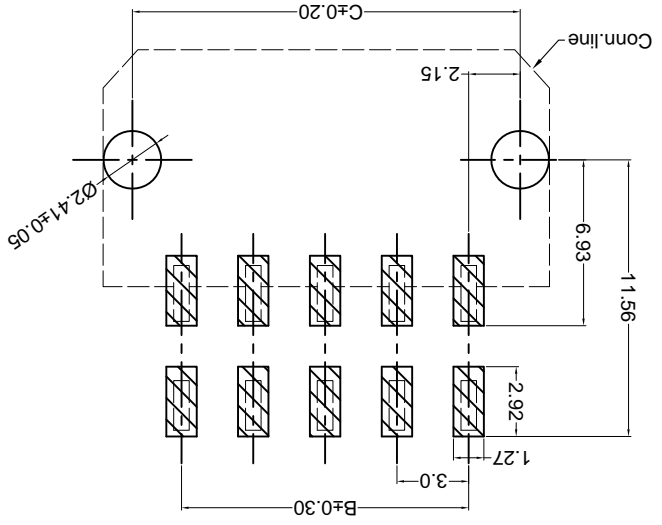
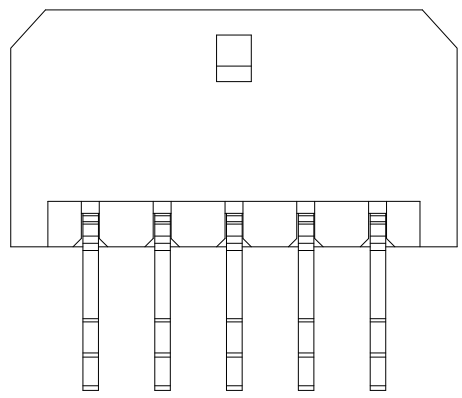
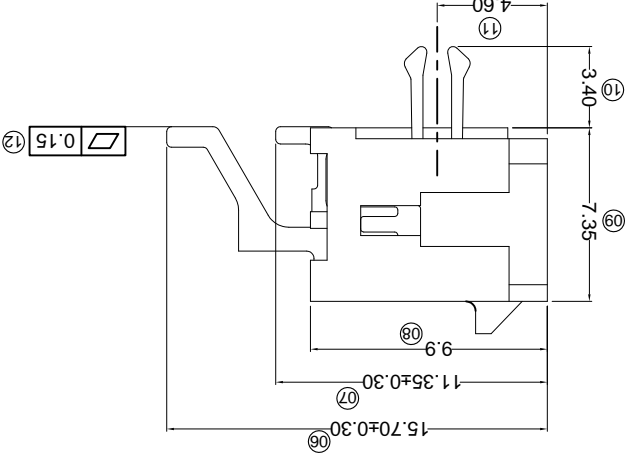
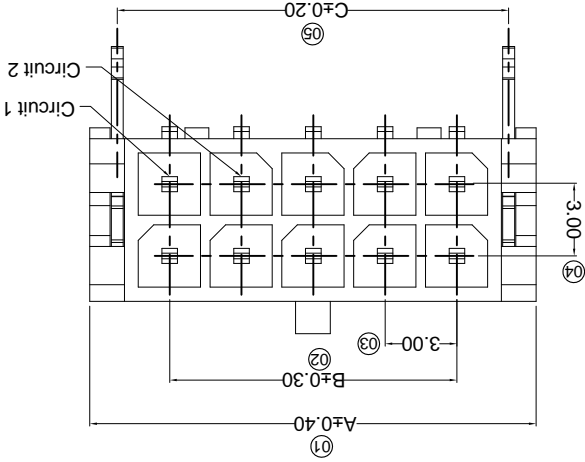
| DATE | VIEW: | PART NO.: X3025WRS-2*XXC-XXXX |
|------|-------|-------------------------------|
| | | |

| DATE | UNIT: mm | DWG NO.: |
|------|----------|--------------------------------|
| | | 3.00 mm Crimp Style Connectors |

| DATE | SIZE: A4 | REVISION |
|------|----------|----------|
| | | |

KXB INDUSTRIAL PRECISION CO., LIMITED

| PART NO | Material | Material(Pin) | Finish(Pin) | (Solder Tabs) Material | (Solder Tabs) Finish | Mates With XKB Housing |
|---------------------|---------------|---------------|-----------------------------|------------------------|----------------------|------------------------|
| X3025WRS-2*XXC-LPSW | LCP UL 94V-0 | Brass | Ni:50u"Min; Sn:120u"Min; | Brass | Tin-Plated | Mates With XKB Housing |
| X3025WRS-2*XXC-LPSN | LCP UL 94V-0 | Brass | Ni:50u"Min; Sn:120u"Min; | Brass | Tin-Plated | Mates With XKB Housing |
| X3025WRS-2*XXC-NOSN | PA66 UL 94V-0 | Brass | Ni:50u"Min; Sn:120u"Min; | Brass | Tin-Plated | Mates With XKB Housing |



- **Specifications :**
- Voltage rating: 250V AC / DC
 - Current rating: 5A AC / DC
 - Withstanding voltage: 1000V AC/minute
 - Temperature range: -25°C~+85°C
 - Insulation resistance: ≥1000MΩ
 - Contact resistance: ≤10mΩ
 - After environmental testing: ≤20mΩ

X3025 W R S-2*XX C-XX XX XX
 ① Series No.
 ② Category: W-water
 ③ Welding Board Angle: R-90°
 ④ Welding Way: S-SMT
 ⑤ Row No.-Pin No.: 2*XX-Double row
 ⑥ Special NO.: C-The harpoon
 ⑦ Material: LP-LCP 94V-0
 ⑧ Material: N0-PA66 94V-0
 ⑨ Plating Category:
 SN-Bright tin plating 70u"
 SW-Fog Tin plating
 Color:
 ⑩ Blank-natural color

| Poles | A | B | C |
|-------|-------|-------|-------|
| 02 | 6.65 | --- | 4.20 |
| 04 | 9.65 | 3.00 | 7.20 |
| 06 | 12.65 | 6.00 | 10.20 |
| 08 | 15.65 | 9.00 | 13.20 |
| 10 | 18.65 | 12.00 | 16.20 |
| 12 | 21.65 | 15.00 | 19.20 |
| 14 | 24.65 | 18.00 | 22.20 |
| 16 | 27.65 | 21.00 | 25.20 |
| 18 | 30.65 | 24.00 | 28.20 |
| 20 | 33.65 | 27.00 | 31.20 |
| 22 | 36.65 | 30.00 | 34.20 |
| 24 | 39.65 | 33.00 | 37.20 |

Dimensions(mm)

For and on behalf of
XKB INDUSTRIAL PRECISION CO., LIMITED
 香港星坤工業精密有限公司

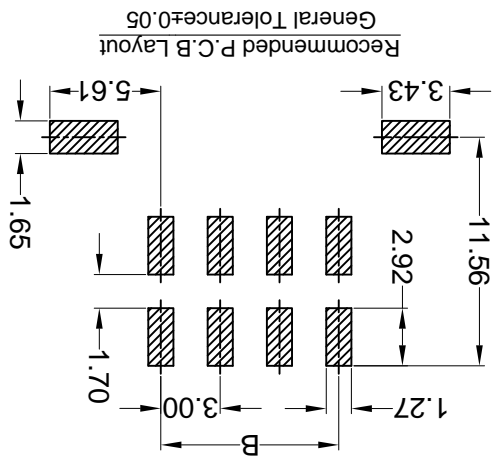
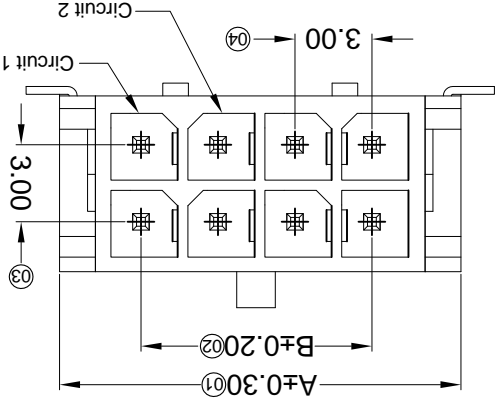
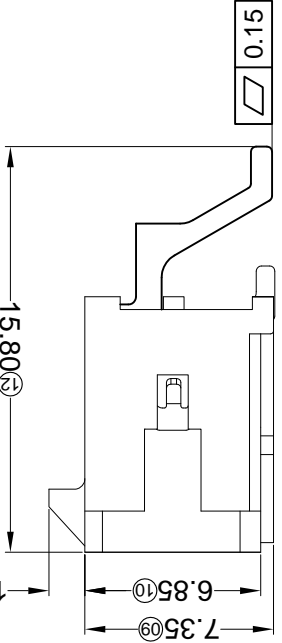
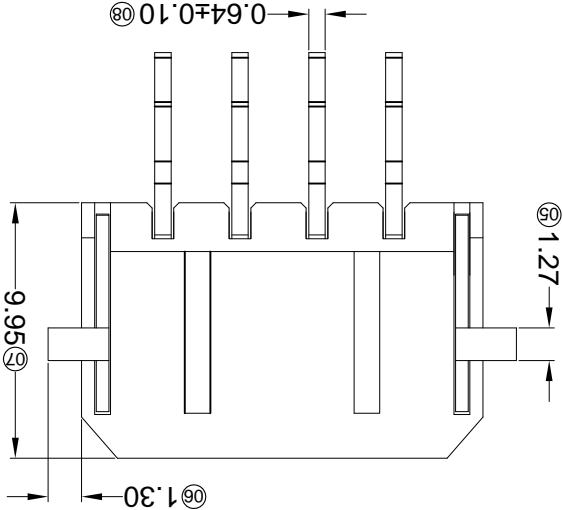
| MARK | DESCRIPTION | DATE | REVISID | APPROVED | UNSPECIFIED TOLERANCES |
|------|-------------|------|---------|----------|------------------------|
| △ X | | | | | L > 63 |
| △ X | | | | | 16 < L ≤ 63 |
| △ X | | | | | 4 < L ≤ 16 |
| △ X | | | | | L ≤ 4 |
| | | | | | ANGULAR |
| | | | | | ± 5° |

| REVISIONS | DATE | DESCRIPTION |
|-----------|------|-------------|
| APPROVED | | |
| REVISED | | |
| DATE | | |

| REVISION | SHEET | WEIGHT |
|----------|-------|--------|
| A0 | 1/1 | 1.0g |

| DSND | DATE | SCALE: N/A | MODEL TYPE: X3025WRS-2*XXD-XXXX |
|--|------|------------|---------------------------------|
| DWN <th>DATE</th> <th>VIEW: </th> <th>PART NO.:</th> | DATE | VIEW: | PART NO.: |
| CHKD <th>DATE</th> <th>UNIT: mm</th> <th>DWG NO.:</th> | DATE | UNIT: mm | DWG NO.: |
| APPD <th>DATE</th> <th>SIZE: A4</th> <th>3.00 mm Crimp Style Connectors</th> | DATE | SIZE: A4 | 3.00 mm Crimp Style Connectors |

| PART NO | Material | Material(Pin) | Finish(Pin) | Material (Solder Tabs) | Finish (Solder Tabs) | Mates With XKB Housing |
|----------------------|--------------|---------------|---|------------------------|----------------------|------------------------|
| X3025WRS-2*XXD-LPSN | | | Tin-Plated | | Finish | |
| X3025WRS-2*XXD-LPG06 | LCP UL 94V-0 | Brass | Ni:50u" Min; Sn:120u" Min; Contact Area Gold:5u" Min. | Brass | Tin-Plated | X3025H |
| X3025WRS-2*XXD-LPSW | | | Matte tin | | | |



| Poles | Dimensions (mm) | A | B | 2*01 | 2*02 | 2*03 | 2*04 | 2*05 | 2*06 |
|-----------------|-----------------|-----------------|-----|-------|-------|-------|-------|-------|-------|
| A | 24.65 | 6.65 | --- | 6.65 | 9.65 | 12.65 | 15.65 | 18.65 | 21.65 |
| B | 18.00 | 2*07 | --- | 2*08 | 2*09 | 2*10 | 2*11 | 2*12 | 2*12 |
| Poles | | Dimensions (mm) | | 3.00 | 6.00 | 9.00 | 12.00 | 15.00 | 18.00 |
| Dimensions (mm) | | A | B | 27.65 | 30.65 | 33.65 | 36.65 | 39.65 | 33.00 |

- ① Series No.
- ② Category: W-WAFER
- ③ Welding Board Angle: R-Straight 90°
- ④ Welding Way: S-SMT
- ⑤ Row No.-Pin No.: 2*XX-2*02P~2*22P
- ⑥ Plug the Pin & Special No.: D-With Solder Tabs
- ⑦ Material: LP-LCP 94V-0
- ⑧ Plating Category: SN-Bright Tin Plating; G05-Contact Gold 5u"
- ⑨ Color: Blank-Natural Color

Recommended P.C.B Layout
 General Tolerance±0.05
 X3025 W R S-2*XX D-LP XX XX

- Specifications:
- Voltage rating: 250V AC / DC
- Current rating: 5A AC / DC
- Withstanding voltage: 1000V AC/minute
- Temperature range: -25°C~+85°C
- Insulation resistance: ≥1000MΩ
- Contact resistance: ≤10mΩ
- After environmental testing: ≤20mΩ

REVISIONS
(Unauthorized Signature)

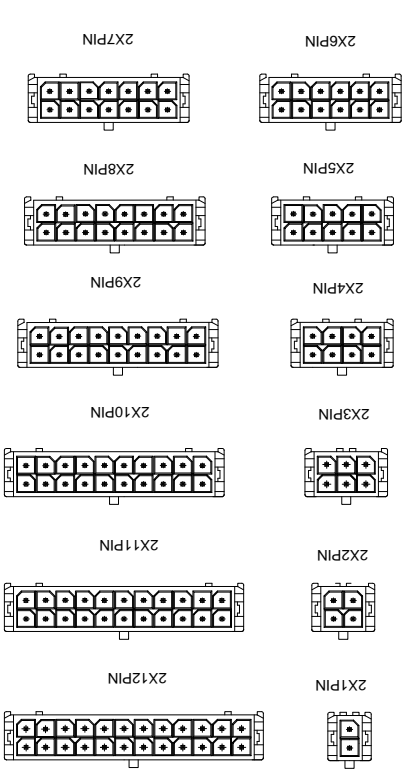
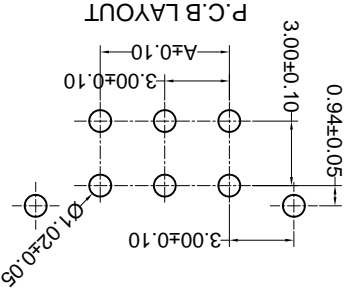
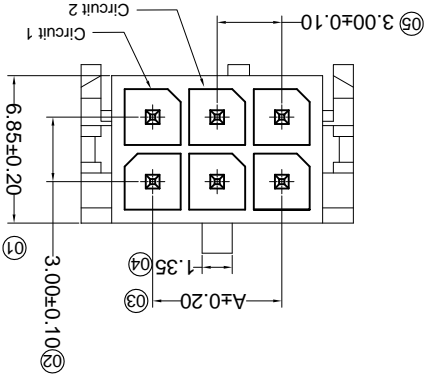
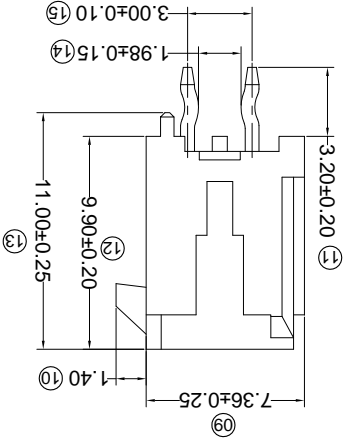
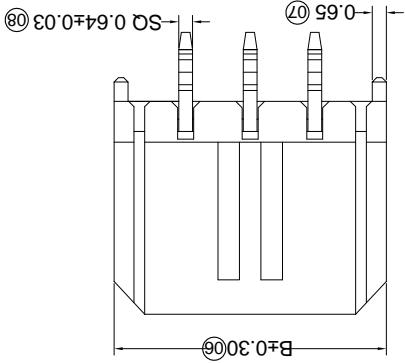
| MARK | DESCRIPTION | DATE | REVISED | APPROVED | UNSPECIFIED TOLERANCES |
|------|-------------|------|---------|----------|------------------------|
| △ X | | | | | L > 63 ± 0.5 |
| △ X | | | | | 16 < L ≤ 63 ± 0.4 |
| △ X | | | | | 4 < L ≤ 16 ± 0.3 |
| | | | | | L ≤ 4 ± 0.2 |
| | | | | | ANGULAR ± 5° |

For and on behalf of
XKB INDUSTRIAL PRECISION CO., LIMITED
香港星坤工業精密有限公司

XKB INDUSTRIAL PRECISION CO., LIMITED

| | | | |
|----------------------------------|------------|----------|------|
| MODEL TYPE: X3025WV-2*XX-XXXX | SCALE: N/A | DATE | DNSD |
| PART NO.: | VIEW: | DATE | DWN |
| DWG NO.: | UNIT: mm | DATE | CHKD |
| REVISION | SHEET | DATE | APPD |
| A0 | 1/1 | SIZE: A4 | |

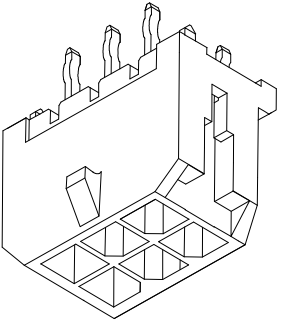
| PART NO | Material | Material (Pin) | Finish (Pin) | Mates With XKB Housing |
|--------------------|---------------|----------------|--------------|------------------------|
| X3025WV-2*XX-PTSN | PBT UL 94V-0 | Brass | Tin-Plated | X3025H |
| X3025WV-2*XX-46SN | PA46 UL 94V-0 | | | |
| X025WV-2*XX-N0SN | PA66 UL 94V-0 | | Gold-Flash | |
| X3025WV-2*XX-46V01 | PA46 UL 94V-0 | | | |



| Poles | Dimensions (mm) | | Poles | Dimensions (mm) | |
|-------|-----------------|-------|-------|-----------------|-------|
| | A | B | | A | B |
| 2*06 | 15.00 | 21.65 | 2*07 | 18.00 | 24.65 |
| 2*05 | 12.00 | 18.65 | 2*08 | 21.00 | 27.65 |
| 2*04 | 9.00 | 15.65 | 2*09 | 24.00 | 30.65 |
| 2*03 | 6.00 | 12.65 | 2*10 | 27.00 | 33.65 |
| 2*02 | 3.00 | 9.65 | 2*11 | 30.00 | 36.65 |
| 2*01 | --- | 6.65 | 2*12 | 33.00 | 39.65 |

- ① Series No.
- ② Category: W-WAFER
- ③ Welding Board Angle: V-Straight 180°
- ④ Welding Way: Blank-DIP
- ⑤ Row No.-Pin No.: 2*XX-2*01P~2*22P
- ⑥ Plug the Pin & Special No.:
- ⑦ Material: N0-PA66 94V-0 ; PT-PBT 94V-0 ; 46-PA46 94V-0
- ⑧ Plating Category: SN-Bright Tin Plating; V01-All Gold Flash
- ⑨ Color : Blank-Natural Color

- Specifications :**
- Voltage rating: 250V AC / DC
 - Current rating: 5A AC / DC
 - Withstanding voltage: 1000V AC/minute
 - Temperature range: -25°C~+85°C
 - Insulation resistance: ≥1000MΩ
 - Contact resistance: ≤10mΩ
 - After environmental testing: ≤20mΩ



| | | | | | |
|--|-------------|----------|---------|------------------------|--------------|
| REVISIONS | | APPROVED | | UNSPECIFIED TOLERANCES | |
| MARK | DESCRIPTION | DATE | REVISED | APPROVED | L > 63 |
| △ X | | | | | 16 < L ≤ 63 |
| △ X | | | | | 4 < L ≤ 16 |
| △ X | | | | | L ≤ 4 |
| | | | | | ANGULAR ± 5° |
| For and on behalf of KXB INDUSTRIAL PRECISION CO., LIMITED 香港星坤工業精密有限公司 <i>Authorized Signatures</i> | | | | | |

| | | | |
|-------------------------------|--------|-------|------|
| MODEL TYPE: | SCALE: | DATE: | DNSD |
| X3025WV-2*XXC-XXCX | N/A | | |
| PART NO.: | VIEW: | DATE: | DWN |
| 300 mm Crimp Style Connectors | ⑩ | | |
| DWG NO.: | UNIT: | DATE: | CHKD |
| | mm | | |
| | SIZE: | DATE: | APPD |
| | A4 | | |

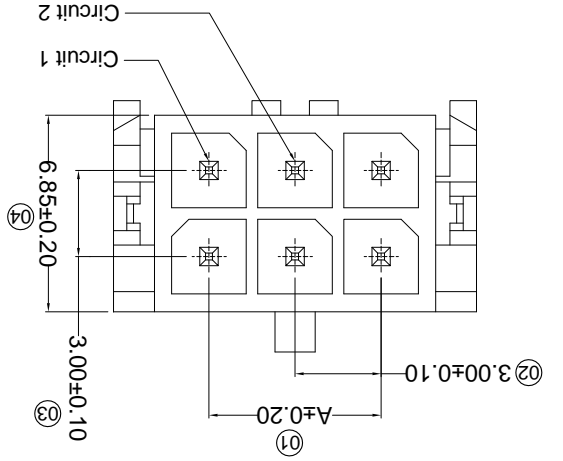
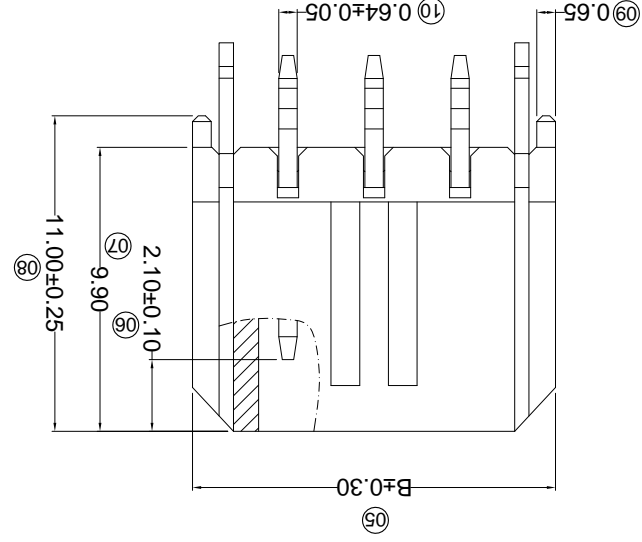
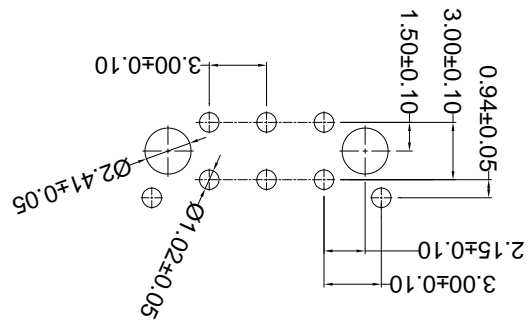
| | | | | |
|--------------------|-------------------|---------------|-----------------|------------|
| PART NO | Material | Material(Pin) | Finish(Pin) | Mates With |
| X3025WV-2*XXC-9TSN | Nylon 9T UL 94V-0 | Brass | Tin Plating Fog | X3025H |
| X3025WV-2*XXC-LPSW | LCP UL 94V-0 | | | |

| Poles | Dimensions (mm) | |
|-------|-----------------|-------|
| | A | B |
| 02 | -- | 6.65 |
| 04 | 3.00 | 9.65 |
| 06 | 6.00 | 12.65 |
| 08 | 9.00 | 15.65 |
| 10 | 12.00 | 18.65 |
| 12 | 15.00 | 21.65 |
| 14 | 18.00 | 24.65 |
| 16 | 21.00 | 27.65 |
| 18 | 24.00 | 30.65 |
| 20 | 27.00 | 33.65 |
| 22 | 30.00 | 36.65 |
| 24 | 33.00 | 39.65 |

| | |
|---|-----------------------------|
| ① Series No. | X3025 W V X-2*XX C-XX XX XX |
| ② Category: | W-water |
| ③ Welding Board Angle: | V-180° |
| ④ Welding Way: | Blank-DIP |
| ⑤ Row No.-Pin No. | 2*XX-Double row |
| ⑥ Special NO. | C-The harpoon |
| ⑦ Material: | LP-LCP 94V-0 9T-PA9T 94V-0 |
| ⑧ Planting Category: | V**All Gold-Plated |
| ⑨ *01-Gold Flash : | *02-2u" ; *03-3u" ; *05-5u" |
| ⑩ *10-10u" ; *15-15u" ; *30-30u" ; *50-50u" | |
| ⑪ SN-Bright tin plating 70u" | |
| ⑫ SN1-Bright tin plating 120u"Min.: | |
| ⑬ SW-Fog Tin plating | |
| ⑭ Color: | Blank-natural color |

- Specifications :
- Voltage rating: 250V AC / DC
 - Current rating: 5A AC / DC
 - Withstanding voltage: 1000V AC/minute
 - Temperature range: -25°C~+85°C
 - Insulation resistance: ≥1000MΩ
 - Contact resistance: ≤10mΩ
 - After environmental testing: ≤20mΩ

P.C.B LAYOUT



REVISIONS
Authorized Signatures

| MARK | DESCRIPTION | DATE | REVISED | APPROVED | UNSPECIFIED TOLERANCES |
|------|-------------|------|---------|----------|------------------------|
| △ X | | | | | L > 63 |
| △ X | | | | | 16 < L ≤ 63 |
| △ X | | | | | 4 < L ≤ 16 |
| △ X | | | | | L ≤ 4 |
| | | | | | ANGULAR |
| | | | | | ± 5° |

For and on behalf of
XKB INDUSTRIAL PRECISION CO., LIMITED
香港星坤工業精密有限公司

XKB INDUSTRIAL PRECISION CO., LIMITED

| | |
|-------------|---------------------|
| WEIGHT | 1.0g |
| SHEET | 1/1 |
| REVISION | A0 |
| SIZE: | A4 |
| DATE: | |
| UNIT: | mm |
| VIEW: | |
| SCALE: | N/A |
| MODEL TYPE: | X3025WV-2*XXCN-LPSN |
| PART NO.: | |
| DWG NO.: | |

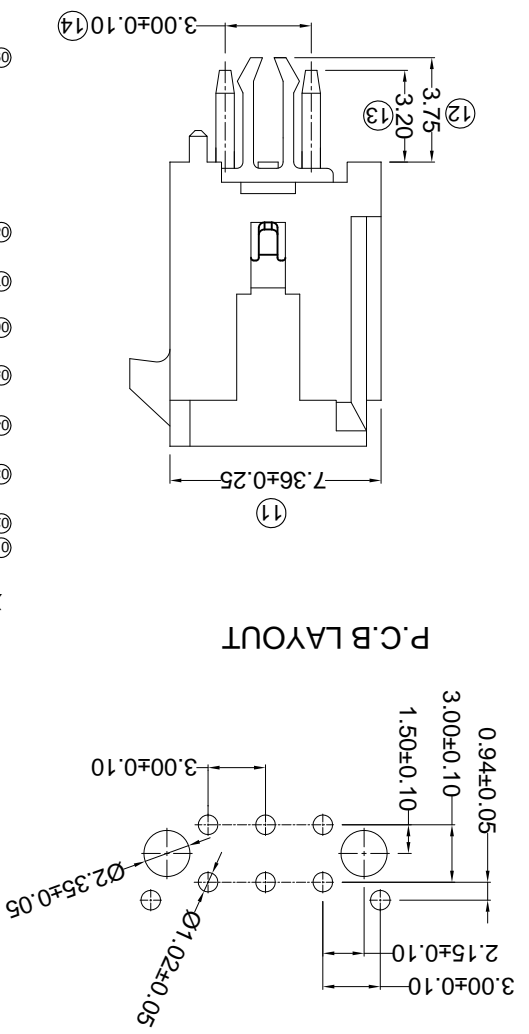
| PART NO | Material | Material(Pin) | Finish(Pin) | Mates With XKB Housing |
|---------------------|--------------|---------------|-------------|------------------------|
| X3025WV-2*XXCN-LPSN | LCP UL 94V-0 | Brass | Tin-Plated | X3025H |

| Poles | A | B |
|-------|-------|-------|
| 02 | -- | 6.65 |
| 04 | 3.00 | 9.65 |
| 06 | 6.00 | 12.65 |
| 08 | 9.00 | 15.65 |
| 10 | 12.00 | 18.65 |
| 12 | 15.00 | 21.65 |
| 14 | 18.00 | 24.65 |
| 16 | 21.00 | 27.65 |
| 18 | 24.00 | 30.65 |
| 20 | 27.00 | 33.65 |
| 22 | 30.00 | 36.65 |
| 24 | 33.00 | 39.65 |

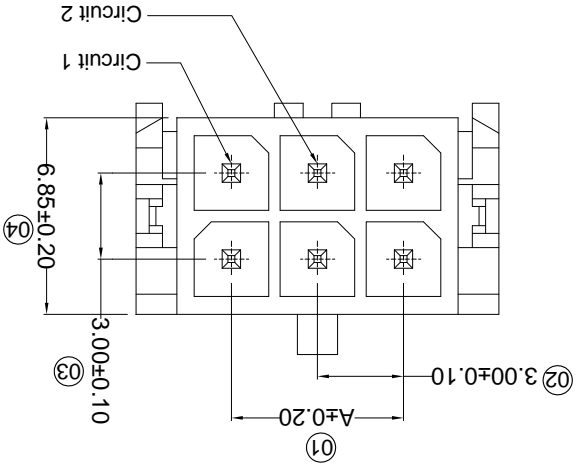
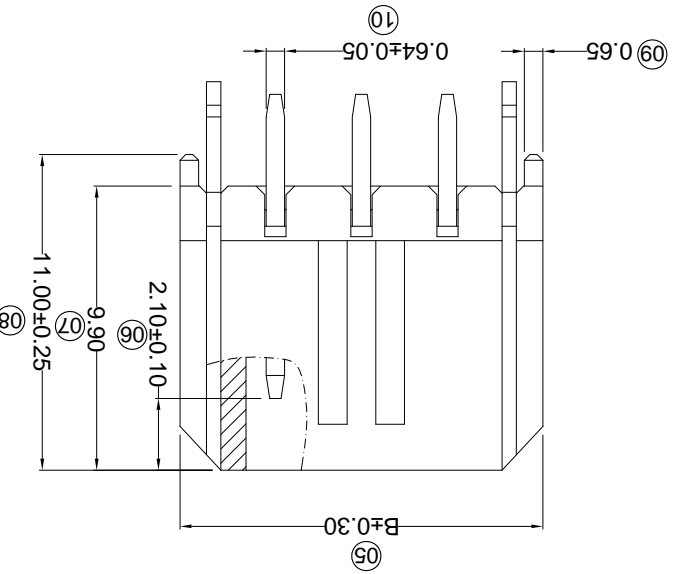
- ① Series No.
- ② Category:
- ③ W-water
- ④ Welding Board Angle:
- ⑤ V-180°
- ⑥ Welding Way:
- ⑦ Blank-DIP
- ⑧ Row No.-Pin No.
- ⑨ 2*XX-Double row
- ⑩ Special NO.
- ⑪ C-The harpoon N-without K the feet
- ⑫ Material:
- ⑬ LP-LCP 94V-0
- ⑭ Planting Category:
- ⑮ V**All Gold-Plated
- ⑯ *01-Gold Flash ; *02-2u" ; *03-3u" ; *05-5u"
- ⑰ *10-10u" ; *15-15u" ; *30-30u" ; *50-50u"
- ⑱ SN-Bright tin plating 70u"
- ⑲ SN1-Bright tin plating 120u"Min.
- ⑳ SW-Fog Tin plating
- ㉑ Color:
- ㉒ Blank-natural color

X3025 W V X-2*XX CN-LP SN XX
① ② ③ ④ ⑤ ⑥ ⑦ ⑧ ⑨

- Specifications :
- Voltage rating: 250V AC / DC
 - Current rating: 5A AC / DC
 - Withstanding voltage: 1000V AC/minute
 - Temperature range: -25°C~+85°C
 - Insulation resistance: ≥1000MΩ
 - Contact resistance: ≤10mΩ
 - After environmental testing: ≤20mΩ



P.C.B LAYOUT



For and on behalf of
KXB INDUSTRIAL PRECISION CO., LIMITED
香港星坤工業精密有限公司

REVISIONS
(Authorized Signatures)

| MARK | DESCRIPTION | DATE | REVISED | APPROVED | UNSPECIFIED TOLERANCES |
|------|-------------|------|---------|----------|------------------------|
| △ X | | | | | L > 63 |
| △ X | | | | | 16 < L ≤ 63 |
| △ X | | | | | 4 < L ≤ 16 |
| | | | | | L ≤ 4 |
| | | | | | ANGULAR |

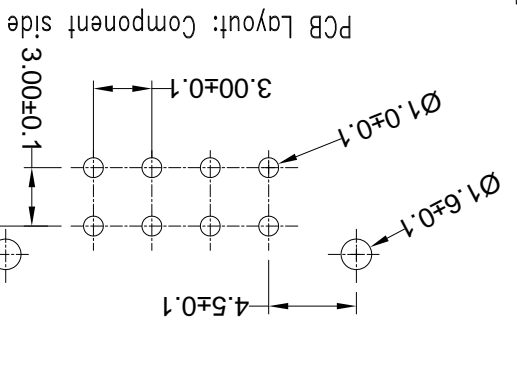
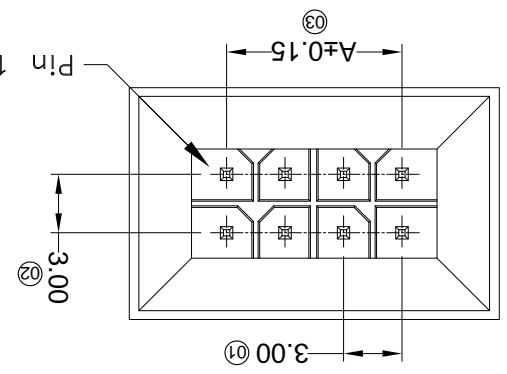
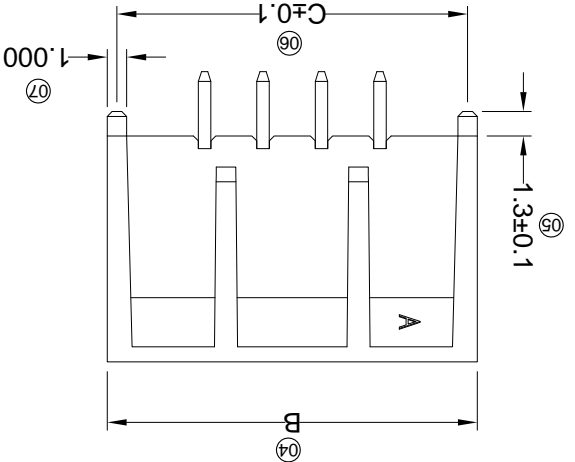
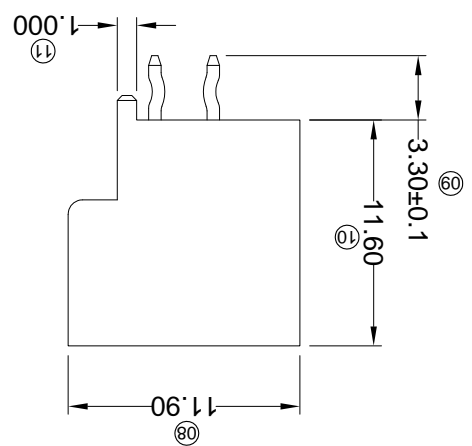
| | | | |
|--------------------|------------|-------|------|
| DWNG NO.: | SIZE: A4 | DATE: | APPD |
| PART NO.: | UNIT: mm | DATE: | CHKD |
| MODEL TYPE: | VIEW: | DATE: | DWN |
| X3025WV-2*XXH-LPSN | SCALE: N/A | DATE: | DSND |

| Part No. | Material | Material(Pin) | Finish(Pin) | Material(Pin) | Material |
|--------------------|------------------------|---------------|-------------|---------------|--------------|
| X3025WV-2*XXH-LPSN | LCP UL 94V-0 | Brass | Tin-Plated | Brass | LCP UL 94V-0 |
| X3025H | Mates With XKB Housing | | | | |

| Poles | | Dimensions (mm) | | | |
|-------|-------|-----------------|-------|-------|-------|
| | A | B | C | | |
| 04 | 3.00 | 13.00 | 12.00 | 15.00 | 18.00 |
| 06 | 6.00 | 16.00 | 15.00 | 19.00 | 21.00 |
| 08 | 9.00 | 19.00 | 18.00 | 22.00 | 24.00 |
| 10 | 12.00 | 22.00 | 21.00 | 25.00 | 27.00 |
| 12 | 15.00 | 25.00 | 24.00 | 28.00 | 30.00 |
| 14 | 18.00 | 28.00 | 27.00 | 31.00 | 33.00 |
| 16 | 21.00 | 31.00 | 30.00 | 34.00 | 36.00 |
| 18 | 24.00 | 34.00 | 33.00 | 37.00 | 39.00 |
| 20 | 27.00 | 37.00 | 36.00 | 40.00 | 42.00 |
| 22 | 30.00 | 40.00 | 39.00 | 43.00 | |
| 24 | 33.00 | 43.00 | 42.00 | | |

① Series No.
② Category: W-water
③ Welding Board Angle: V-180°
④ Welding Way: Blank-DIP
⑤ Row No.-Pin No.
⑥ Special NO.
⑦ Material: LP-LCP 94V-0
⑧ Plating Category: V**;All Gold-Plated
⑨ Color: Blank-natural color
⑩ ⑪

*01-Gold Flash ; *02-2u" ; *03-3u" ; *05-5u"
*10-10u" ; *15-15u" ; *30-30u" ; *50-50u"
SN-Bright tin plating 70u"
SN1-Bright tin plating 120u"Min. ;
SW-Fog Tin plating
Color: Blank-natural color



- Specifications :
- Voltage rating: 250V AC / DC
 - Current rating: 5A AC / DC
 - Withstanding voltage: 1000V AC/minute
 - Temperature range: -25°C~+85°C
 - Insulation resistance: ≥1000MΩ
 - Contact resistance: ≤10mΩ
 - After environmental testing: ≤20mΩ

X3025W V X-2*XXH-LPSNXX
① ② ③ ④ ⑤ ⑥ ⑦ ⑧ ⑨

REVISIONS
(Unauthorized Signatures)

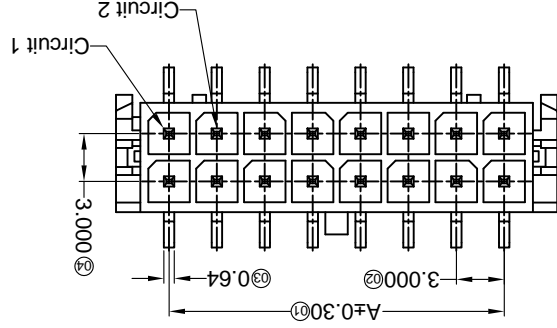
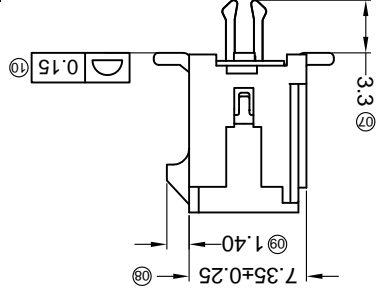
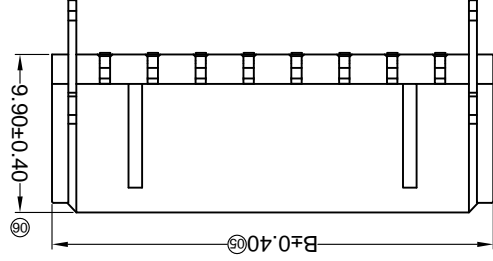
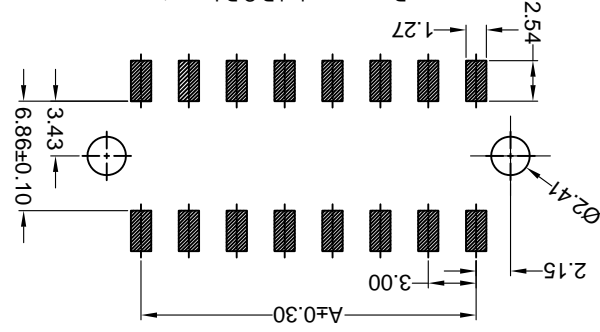
| MARK | DESCRIPTION | DATE | REVISED | APPROVED | UNSPECIFIED TOLERANCES |
|------|-------------|------|---------|----------|------------------------|
| △ X | | | | | L > 63 ± 0.5 |
| △ X | | | | | 16 < L ≤ 63 ± 0.4 |
| △ X | | | | | 4 < L ≤ 16 ± 0.3 |
| △ X | | | | | L ≤ 4 ± 0.2 |
| | | | | | ANGULAR ± 5° |

For and on behalf of
XKB INDUSTRIAL PRECISION CO., LIMITED
香港星坤工業精密有限公司

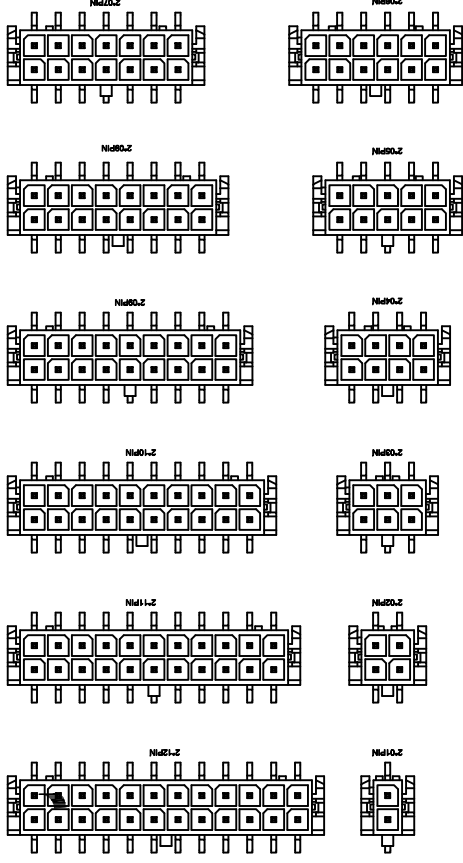
XKB INDUSTRIAL PRECISION CO., LIMITED

| DATE | DATE | DATE | DATE | DATE | DATE |
|---------------------------------|-----------|--------------------------------|----------|-------------|-------------|
| DNSD | DWN | CHKD | APPD | | |
| SCALE: N/A | VIEW: | UNIT: mm | SIZE: A4 | | |
| MODEL TYPE: X3025WVS-2*XXC-LPXX | PART NO.: | 3.00 mm Crimp Style Connectors | DWG NO.: | | |
| | | | | WEIGHT 1.0g | REVISION A0 |
| | | | | SHEET 1/1 | |

Recommended P.C.B Layout
General Tolerance±0.05



| Poles | Dimensions(mm) | Dimensions(mm) |
|-------|----------------|----------------|
| 2*01 | --- | 6.65 |
| 2*02 | 3.00 | 9.65 |
| 2*03 | 6.00 | 12.65 |
| 2*04 | 9.00 | 15.65 |
| 2*05 | 12.00 | 18.65 |
| 2*06 | 15.00 | 21.65 |



- Series No. ① ② ③ ④ ⑤ ⑥ ⑦ ⑧ ⑨
X3025 W V S-2*XX C-LP XX XX
- ① Series No.
 - ② Category: W-water
 - ③ Welding Board Angle: V- Straight 180°
 - ④ Welding Way: S-SMT
 - ⑤ Row No-Pin No.: 2*XX-2*01P~2*12P
 - ⑥ Plug the Pin & Special No.: C-The Harpoon
 - ⑦ Material: LP-LCP 94V-0
 - ⑧ Plating Category: SN-Bright tin plating; SW-Matte Tin plating
 - ⑨ Color: Blank-Natural color

- Specifications :
- Voltage rating: 250V AC / DC
 - Current rating: 5A AC / DC
 - Withstanding voltage: 1000V AC/minute
 - Temperature range: -25°C~+85°C
 - Insulation resistance: ≥1000MΩ
 - Contact resistance: ≤10mΩ
 - After environmental testing: ≤20mΩ

| PART NO | Material | Material(Pin) | Finish(Pin) | (Solder Tabs) Material | Finish (Solder Tabs) | Mates With XKB Housing |
|---------------------|--------------|---------------|-------------|------------------------|----------------------|------------------------|
| X3025WVS-2*XXC-LPXX | LCP UL 94V-0 | Brass | Tin-Plated | Brass | Tin-Plated | X3025H |
| X3025WS-2*XXC-LPXX | LCP UL 94V-0 | Brass | Tin-Plated | Brass | Matte tin | X3025H |

For and on behalf of
KXB INDUSTRIAL PRECISION CO., LIMITED
 香港星坤工業精密有限公司

| MARK | DESCRIPTION | DATE | REVISED | APPROVED | UNSPECIFIED TOLERANCES |
|------|-------------|------|---------|----------|------------------------|
| △ X | | | | | L > 63 |
| △ X | | | | | 16 < L ≤ 63 |
| △ X | | | | | 4 < L ≤ 16 |
| | | | | | L ≤ 4 |
| | | | | | ANGULAR |
| | | | | | ± 5° |

| REVISIONS | DATE | REVISED | APPROVED | UNSPECIFIED TOLERANCES |
|-----------|------|---------|----------|------------------------|
| | | | | L > 63 |
| | | | | 16 < L ≤ 63 |
| | | | | 4 < L ≤ 16 |
| | | | | L ≤ 4 |
| | | | | ANGULAR |
| | | | | ± 5° |

| DATE | SCALE: N/A | MODEL TYPE: X3025WVS-2*XXD-LPSW |
|------|------------|---------------------------------|
| DATE | SCALE: N/A | MODEL TYPE: X3025WVS-2*XXD-LPSW |

| DATE | VIEW: | PART NO.: 3.00 mm Crimp Style Connectors |
|------|-------|--|
| DATE | VIEW: | PART NO.: 3.00 mm Crimp Style Connectors |

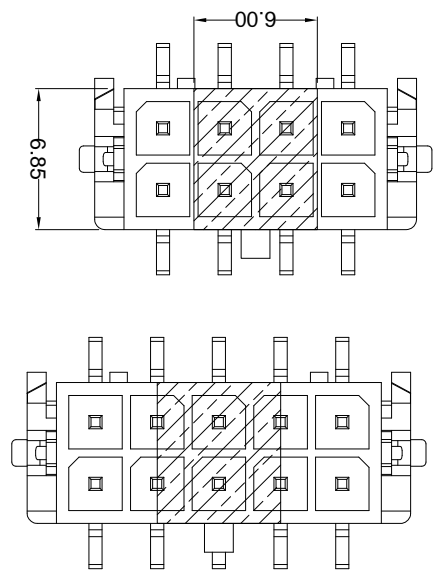
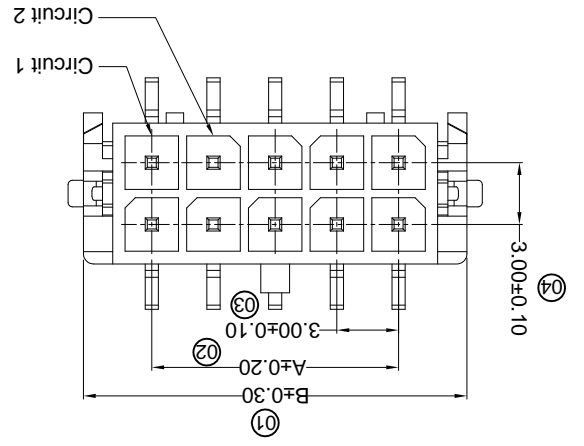
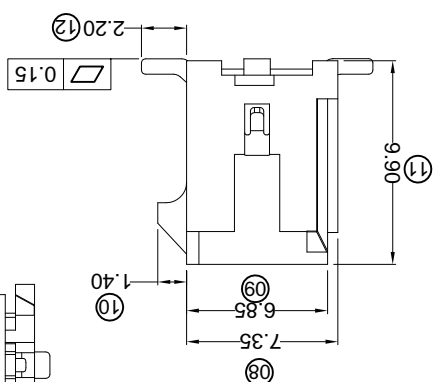
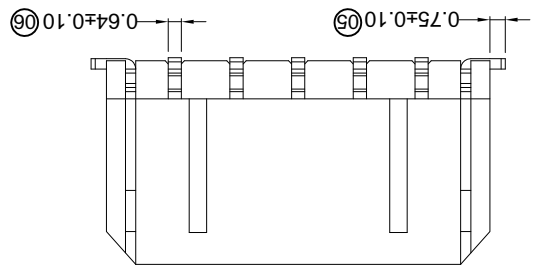
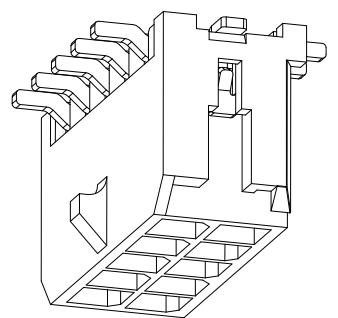
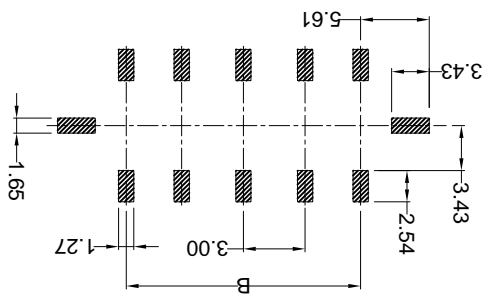
| DATE | UNIT: mm | DWG NO.: |
|------|----------|----------|
| DATE | UNIT: mm | DWG NO.: |

| DATE | SIZE: A4 | WEIGHT | SHEET | REVISION |
|------|----------|--------|-------|----------|
| DATE | SIZE: A4 | WEIGHT | SHEET | REVISION |

| DATE | APPD | CHKD | DWN | DSND |
|------|------|------|-----|------|
| DATE | APPD | CHKD | DWN | DSND |

| PART NO | Material | Material(Pin) | Finish(Pin) | (Solder Tabs) Material | (Solder Tabs) Finish | Mates With XKB Housing |
|---------------------|--------------|---------------|-------------|------------------------|----------------------|------------------------|
| X3025WVS-2*XXD-LPSW | LCP UL 94V-0 | Brass | Matte tin | Brass | Matte tin | X3025H |

P.C.B. LAYOUT



| Poles | Dimensions(mm) | Dimensions(mm) | Poles |
|-------|----------------|----------------|-------|
| 2*01 | 2*07 | 18.00 | B |
| 2*02 | 2*08 | 21.00 | A |
| 2*03 | 2*09 | 24.00 | B |
| 2*04 | 2*10 | 27.00 | A |
| 2*05 | 2*11 | 30.00 | B |
| 2*06 | 2*12 | 33.00 | A |

- ① Series No.
- ② Category: W-water
- ③ Weiding Board Angle: V- Stright 180°
- ④ Weiding Way: S-SMT
- ⑤ Row No.-Pin No.: 2*XX-2*01P-2*12P
- ⑥ Plug the Pin & Special No.: D-Solder Tabs
- ⑦ Material: LP-LCP 94V-0
- ⑧ Planting Category:
- ⑨ SN-Bright tin plating ; SW-Matte Tin plating
- ⑩ Color: Blank-Natural color

X3025 W V S-2*XX D-LP XX XX

- Specifications :
- Voltage rating: 250V AC / DC
 - Current rating: 5A AC / DC
 - Withstanding voltage: 1000V AC/minute
 - Temperature range: -25°C~+85°C
 - Insulation resistance: ≥1000MΩ
 - Contact resistance: ≤10mΩ
 - After environmental testing: ≤20mΩ

X-ON Electronics

Largest Supplier of Electrical and Electronic Components

Click to view similar products for [Headers & Wire Housings](#) category:

Click to view products by [XKB](#) manufacturer:

Other Similar products are found below :

[95000-104TRLF](#) [10135584-644402LF](#) [DF62W-EP2022PCA](#) [95000-106TRLF](#) [DF62W-2022SCA](#) [DF62W-EP2022PC](#) [2203348](#) [DF62W-2022SC](#) [1084018](#) [1029039](#) [1084017](#) [802-10-012-10-002000](#) [1112640](#) [1112639](#) [891-007-9SS-BST1T](#) [000-34000](#) [0008550134](#) [0009482033](#) [0009507031](#) [57102-F02-18ULF](#) [57102-S06-03LF](#) [57202-S52-04LF](#) [PCN6-15S-2.5E](#) [0039019024](#) [58102-G61-06LF](#) [582553-1](#) [0009485154](#) [0009508121](#) [0022285053](#) [0050291907](#) [018731A](#) [LY20-4P-DT1-P1E-BR](#) [02.125.8002.8](#) [60101931](#) [60598-1 \(Cut Strip\)](#) [M1625-3R/100](#) [61062-3](#) [61082-181009](#) [CSU011177004](#) [636-1427](#) [638009-1](#) [641938-9](#) [641991-4](#) [644168-1](#) [644827-2](#) [647662-1](#) [65039-019ELF](#) [65692-001LF](#) [65781-018](#) [65781-047](#)