

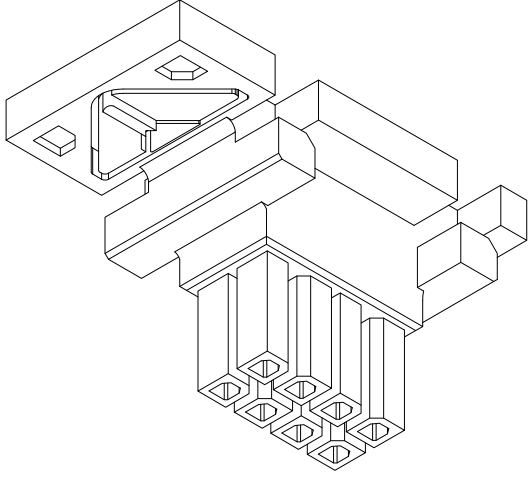
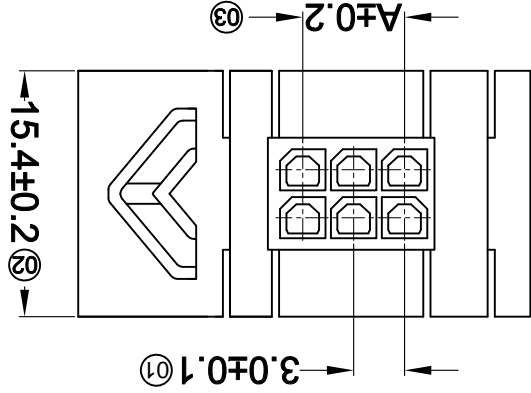
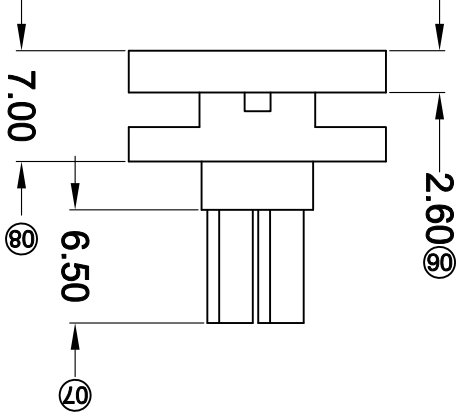
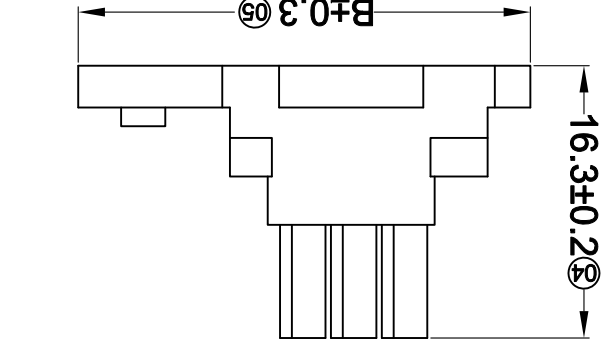
REVISIONS (Authorized Signatures)

MARK	DESCRIPTION	DATE	REVISED	APPROVED	UNSPECIFIED TOLERANCES
△ X					L > 63 ± 0.5
△ X					16 < L ≤ 63 ± 0.4
△ X					4 < L ≤ 16 ± 0.3
△ X					L ≤ 4 ± 0.2
					ANGULAR ± 5°

For and on behalf of
XKB INDUSTRIAL PRECISION CO., LIMITED
 香港星坤工業精密有限公司

XKB INDUSTRIAL PRECISION CO., LIMITED

WEIGHT	1.0g
SHEET	1/1
REVISION	A0
SIZE:	A4
DATE:	
UNIT:	mm
VIEW:	
SCALE:	N/A
MODEL TYPE:	X3025HF-2*XXWS-N2
PART NO.:	
DWG NO.:	3.00 mm Crimp Style Connectors



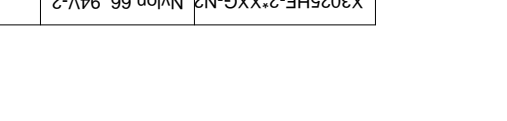
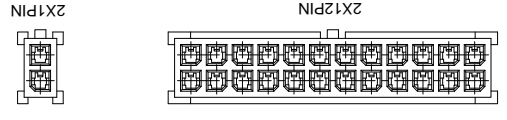
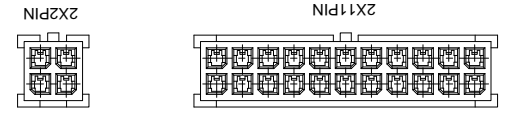
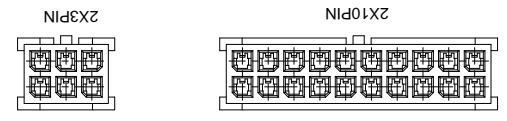
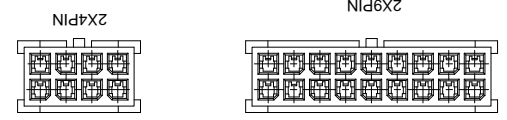
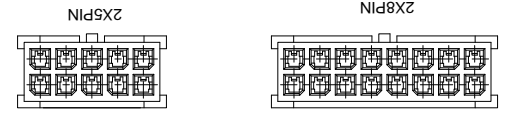
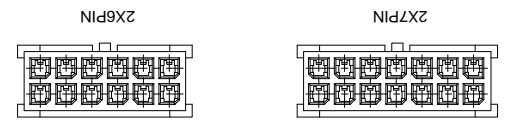
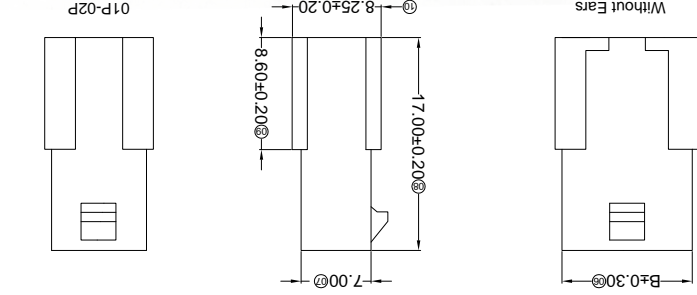
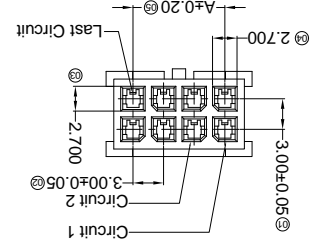
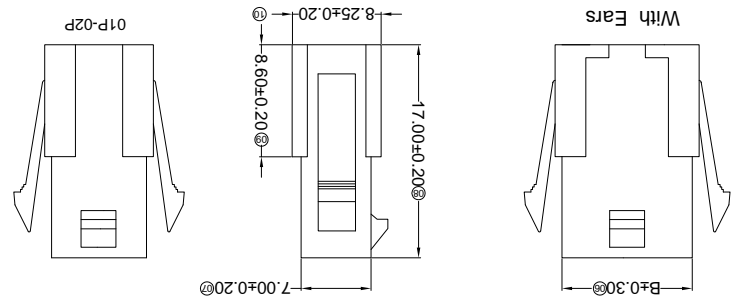
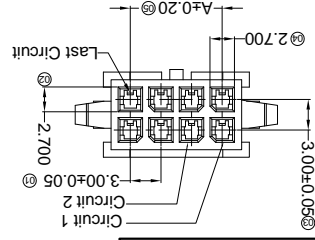
Poles	Dimensions(mm)		Poles	
	A	B	A	B
2*02	3.00	24.85	2*08	21.00
2*03	6.00	27.85	2*09	24.00
2*04	9.00	30.85	2*10	27.00
2*05	12.00	33.85	2*11	30.00
2*06	15.00	36.85	2*12	33.00
2*07	18.00	39.85		

- ① Series No.
- ② Category: H-HSG
- ③ Welding Board Angle: F-Female HSG
- ④ Row No.-Pin No.: 2*XX-2*02P~2*12P
- ⑤ Plug the Pin & special No.: WS-With Base
- ⑥ Material: N2-PA66 94V-2;
- ⑦ Color: Blank-natural color

X3025 H F-2*XX WS-N2 XX

- Specifications :
- Voltage rating: 250V AC / DC
 - Current rating: 5A AC / DC
 - Withstanding voltage: 1500V AC/minute
 - Temperature range: -25°C~+85°C
 - Insulation resistance: ≥1000MΩ
 - Contact resistance: ≤10mΩ
 - After environmental testing: ≤17mΩ

RoHS
Lead-free



- Voltage rating: 250V AC / DC
- Current rating: 5A AC / DC
- Withstanding voltage: 1000V AC/minute
- Temperature range: -25°C~+85°C
- Insulation resistance: ≥1000MΩ
- Contact resistance: ≤10mΩ
- After environmental testing: ≤20mΩ

X3025 H F-2*XX XX-N2 XX

- ① Series No.
- ② Category: H-HSG
- ③ Welding Board Angle: F-Female HSG
- ④ Row No.-Pin No.: 2*XX-2*01P-2*12P
- ⑤ Plug the Pin & special No.: I-Without Ears
- ⑥ Material: N2-PA66 94V-2;
- ⑦ Color: Blank-Natural Color

Poles	Dimensions(mm)		Poles	Dimensions(mm)	
	A	B		A	B
2*01	18.00	22.00	2*07	4.00	2.00
2*02	3.00	7.00	2*08	7.00	2.00
2*03	6.00	10.00	2*09	10.00	2.00
2*04	9.00	13.00	2*10	13.00	2.00
2*05	12.00	16.00	2*11	16.00	2.00
2*06	15.00	19.00	2*12	19.00	2.00
With Ears		37.00	Without Ears		37.00

PART NO	Material	Suitable SWB Terminal	Mates With XKB Housing	Note
X3025HF-2*XXG-N2	Nylon 66 94V-2	X3025TM	X3025HM	With Ears
X3025HF-2*XXI-N2	Nylon 66 94V-2	X3025TM	X3025HM	Without Ears

For and on behalf of
XKB INDUSTRIAL PRECISION CO., LIMITED
香港星坤工業精密有限公司

REVISIONS
(Unauthorized Signatures)

MARK	DESCRIPTION	DATE	REVISED	APPROVED	UNSPECIFIED TOLERANCES
△ X					L > 63 ±0.5
△ X					16 < L ≤ 63 ±0.4
△ X					4 < L ≤ 16 ±0.3
△ X					L ≤ 4 ±0.2
					ANGULAR ±5°

DSND	DATE	SCALE: N/A	MODEL TYPE: X3025HF-2*XXX-N2
DWN	DATE	VIEW:	PART NO.:
CHKD	DATE	UNIT: mm	3.00 mm Crimp Style Connectors
APPD	DATE	SIZE: A4	DWG NO.:
		WEIGHT	REVISION
		SHEET	A0

XKB INDUSTRIAL PRECISION CO., LIMITED

For and on behalf of
XKB INDUSTRIAL PRECISION CO., LIMITED
 香港星坤工業精密有限公司

MARK	DESCRIPTION	DATE	REVISIONS	UNSPECIFIED TOLERANCES
△ X				L > 63 ±0.5
△ X				16 > L ≤ 63 ±0.4
△ X				4 < L ≤ 16 ±0.3
				L ≤ 4 ±0.2
				ANGULAR ±5°

REVISIONS	DATE	APPROVED	REVISED	DATE	DESCRIPTION

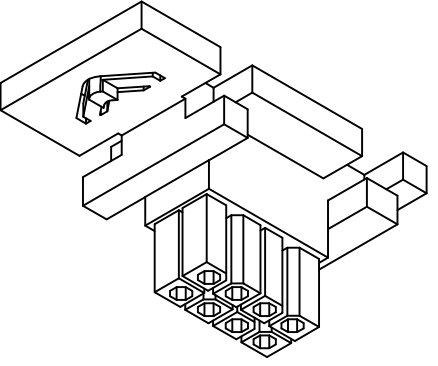
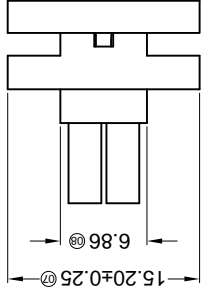
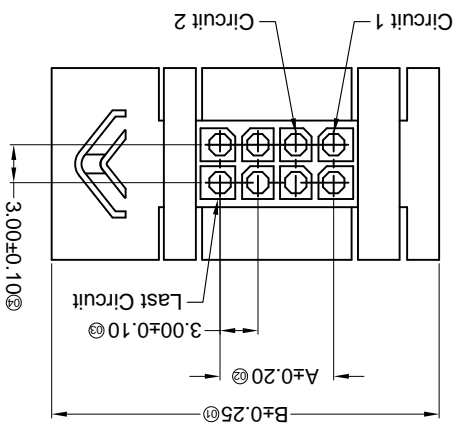
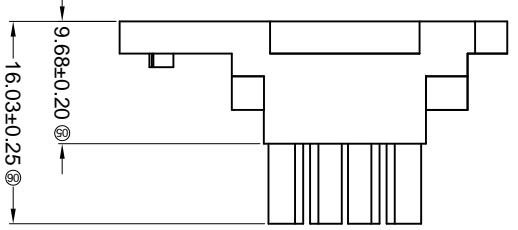
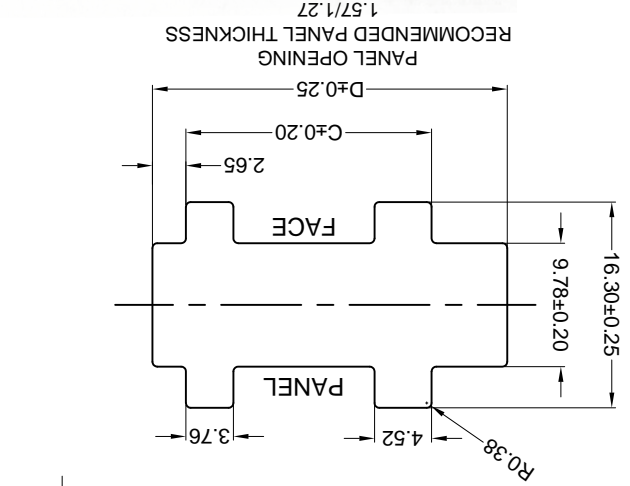
DSND	DATE	SCALE: N/A	MODEL TYPE: X3025HM-2*XXWS-N2

DWN	DATE	VIEW:	PART NO.: 3.00 mm Crimp Style Connectors

CHKD	DATE	UNIT: mm	DWG NO.:

APPD	DATE	SIZE: A4	WEIGHT: 1.0g

REVISION	SHEET	1/1	8



PART NO	Material	Suitable SWB Terminal	Mates With XKB Wafer
X3025HM-2*XXWS-N2	Nylon 66 94V-2	X3025TF	X3025W

Poles	Dimensions(mm)	
	A	B
2*02	3.00	24.60
2*03	6.00	27.70
2*04	9.00	30.70
2*05	12.00	33.80
2*06	15.00	36.80
2*07	18.00	39.90
2*08	21.00	42.90
2*09	24.00	46.00
2*10	27.00	49.00
2*11	30.00	51.80
2*12	33.00	54.90
		43.46
		49.10

- ① Series No. X3025 H M-2*XX WS-N2 XX
- ② Category: H-HSG
- ③ Welding Board Angle: M-Male HSG
- ④ Row No.-Pin No.: 2*XX-2*02P~2*10P
- ⑤ Plug the Pin & special No.: WS-With Base
- ⑥ Material: N2-PA66 94V-2;
- ⑦ Color: Blank-natural color Black

- Specifications:
- Voltage rating: 250V AC / DC
 - Current rating: 5A AC / DC
 - Withstanding voltage: 1500V AC/minute
 - Temperature range: -25°C~+85°C
 - Insulation resistance: ≥1000MΩ
 - Contact resistance: ≤10mΩ
 - After environmental testing: ≤20mΩ

REVISIONS
Authorized Signatures(s)

MARK	DESCRIPTION	DATE	REVISED	APPROVED	UNSPECIFIED TOLERANCES
△ X					L > 63
△ X					16 < L ≤ 63
△ X					4 < L ≤ 16
					L ≤ 4
					ANGULAR

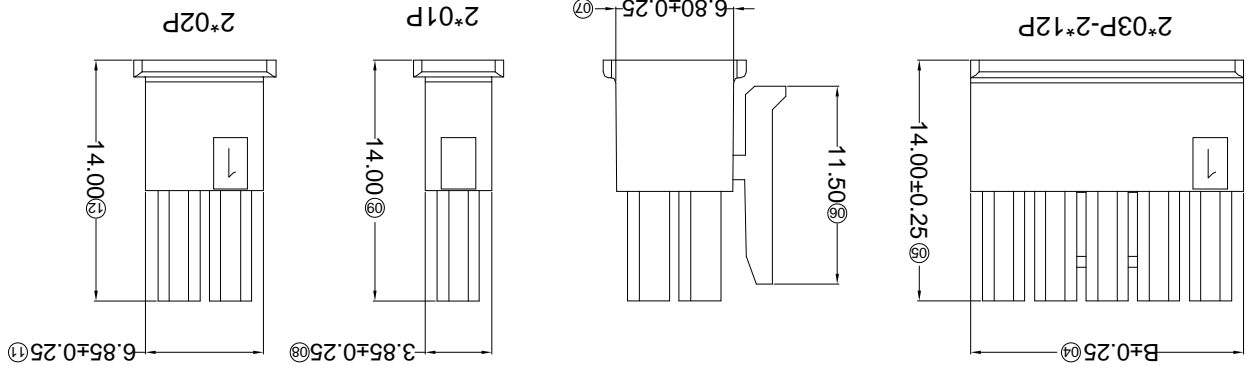
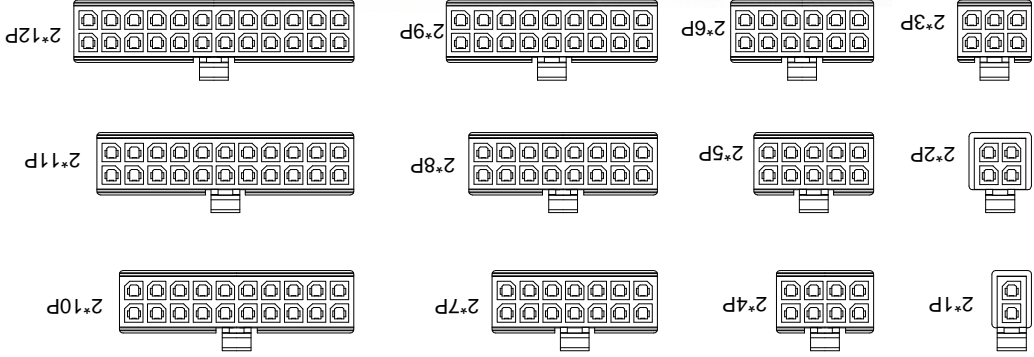
For and on behalf of
KXB INDUSTRIAL PRECISION CO., LIMITED
香港星坤工業精密有限公司

KXB INDUSTRIAL PRECISION CO., LIMITED

MODEL TYPE:	X3025HM-2*XX-N2
PART NO.:	X3025HM-2*XX-N2
VIEW:	VIEW: ⑦
SCALE:	N/A
DATE:	
DWN:	
DATE:	
CHKD:	
DATE:	
APPD:	
SIZE:	A4
WEIGHT:	1.0g
SHEET:	1/1
REVISION:	A0

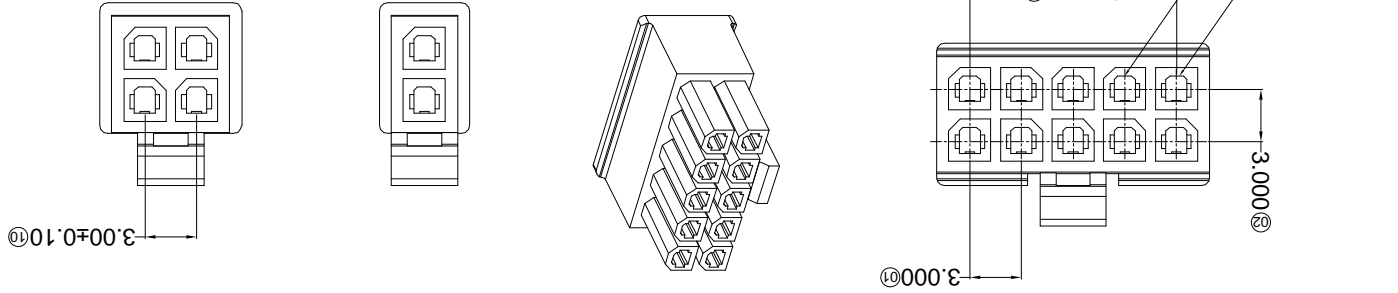
PART NO	X3025HM-2*XX-N2	Material	Nylon 66 94V-2	Suitable SWB Terminal	X3025TF	Mates With XKB Water	X3025W
---------	-----------------	----------	----------------	-----------------------	---------	----------------------	--------

Poles	Dimensions(mm)		Poles	Dimensions(mm)	
	A	B		A	B
2*01	2*07	18.00	2*01	2*07	21.85
2*02	3.00	24.00	2*02	2*08	24.85
2*03	6.00	27.85	2*03	2*09	27.85
2*04	9.00	30.85	2*04	2*10	30.85
2*05	12.00	33.85	2*05	2*11	33.85
2*06	15.00	36.85	2*06	2*12	36.85



- ① Series No. X3025 H M-2*XX XX-N2 XX
② Category: H-HSG
③ Welding Board Angle: M-Male HSG
④ Row No.-Pin No.: 2*XX-2*01P~2*12P
⑤ Plug the Pin & special No.
⑥ Material: N2-PA66 94V-2;
⑦ Color: Blank-Natural Color

- Specifications:
- Voltage rating: 250V AC / DC
 - Current rating: 5A AC / DC
 - Withstanding voltage: 1000V AC/minute
 - Temperature range: -25°C~+85°C
 - Insulation resistance: ≥1000MΩ
 - Contact resistance: ≤10mΩ
 - After environmental testing: ≤20mΩ



REVISIONS
Authorized Signature(s)

MARK	DESCRIPTION	DATE	REVISED	APPROVED	UNSPECIFIED TOLERANCES
△ X					L > 63 ± 0.5
△ X					16 < L ≤ 63 ± 0.4
△ X					4 < L ≤ 16 ± 0.3
△ X					L ≤ 4 ± 0.2
					ANGULAR ± 5°

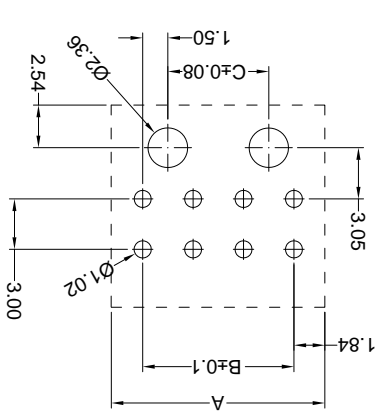
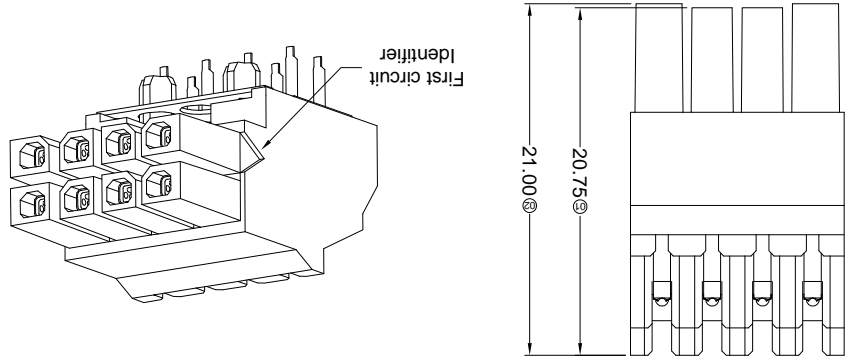
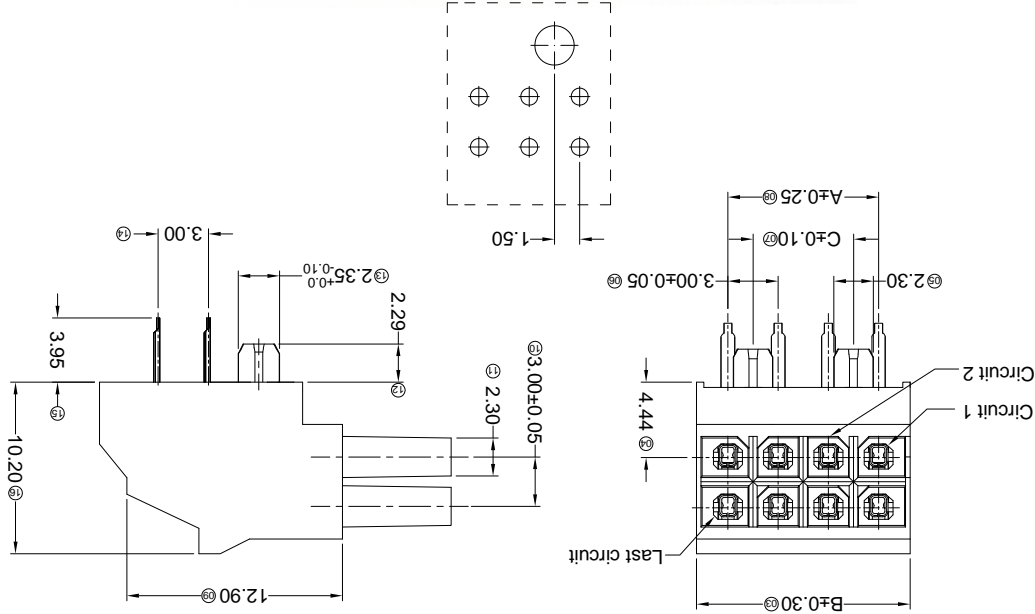
For and on behalf of
XKB INDUSTRIAL PRECISION CO., LIMITED
香港星坤工業精密有限公司

XKB INDUSTRIAL PRECISION CO., LIMITED

WEIGHT	1.0g	REVISION	A0
SHEET	1/1		
SIZE:	A4	DATE	
UNIT:	mm	DATE	
VIEW:		DATE	
SCALE:	N/A	DATE	
MODEL TYPE:	X3025HR-2*XX-LPSN		
PART NO.:			
3.00 mm Crimp Style Connectors			
DWG NO.:			

Part No.	Material	Material(Pin)	Finish(Pin)	Mates With XKB Housing
X3025HR-2*XX-LPSN	LCP UL 94V-0	Brass	Tin-Plated	X3025HW or 3025H

Poles	Dimensions(mm)		
	A	B	C
2'02	3.00	6.70	2'08
2'03	6.00	9.70	2'09
2'04	9.00	12.70	2'10
2'05	12.00	15.70	2'11
2'06	15.00	18.70	2'12
2'07	18.00	21.70	15.00



- ① Series No.
- ② Category: H-HSG
- ③ Welding Board Angle: BOARD-IN-R-90°
- ④ Row No.-Pin No.: 2*XX-2*02P~2*12P
- ⑤ Plug the Pin & special No.:
- ⑥ Material: LP-LCP 94V-0;
- ⑦ Plating Category: SN-Bright tin plating
- ⑧ Color: Blank-Natural Color

X3025 H R-2*XX LP SN XX

- Specifications :
- Voltage rating: 250V AC / DC
 - Current rating: 5A AC / DC
 - Withstanding voltage: 1000V AC/minute
 - Temperature range: -25°C~+85°C
 - Insulation resistance: ≥1000MΩ
 - Contact resistance: ≤10mΩ
 - After environmental testing: ≤20mΩ

For and on behalf of
KRB INDUSTRIAL PRECISION CO., LIMITED
 香港星坤工業精密有限公司

MARK	DESCRIPTION	DATE	REVISIONS	UNSPECIFIED TOLERANCES
△ X				±0.5
△ X				16 < L ≤ 63
△ X				L ≤ 4
△ X				ANGULAR ±5°

MARK	DESCRIPTION	DATE	REVISIONS	UNSPECIFIED TOLERANCES
△ X				±0.5
△ X				16 < L ≤ 63
△ X				L ≤ 4
△ X				ANGULAR ±5°

DSND	DATE	SCALE: N/A	MODEL TYPE: X3025HV-2*XX-LPSN
DWN	DATE	VIEW:	PART NO.: 3.00 mm Crimp Style Connectors
CHKD	DATE	UNIT: mm	DWG NO.:
APPD	DATE	SIZE: A4	WEIGHT 1.0g
			SHEET 1/1
			REVISION A0

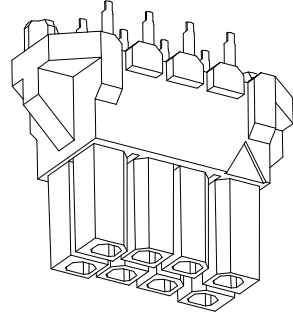
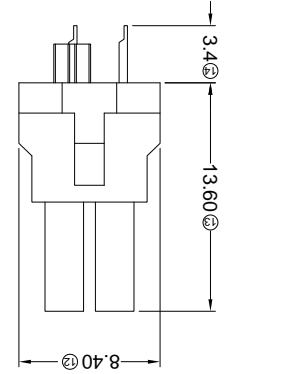
Part No.	Material	Material(Pin)	Finish(Pin)	Mates With KRB Housing
X3025HV-2*XX-LPSN	LCP UL 94V-0	Brass	Tin-Plated	X3025HW or 3025H

Poles	Dimensions(mm)			
	A	B	C	D
2*02	3.00	6.85	12.00	9.00
2*03	6.00	9.85	15.00	12.00
2*04	9.00	12.85	18.00	15.00
2*05	12.00	15.85	21.00	18.00
2*06	15.00	18.85	24.00	21.00
2*07	18.00	21.85	27.00	24.00
2*08	21.00	24.85	30.00	27.00
2*09	24.00	27.85	33.00	30.00
2*10	27.00	30.85	36.00	33.00
2*11	30.00	33.85	39.00	36.00
2*12	33.00	36.85	42.00	39.00

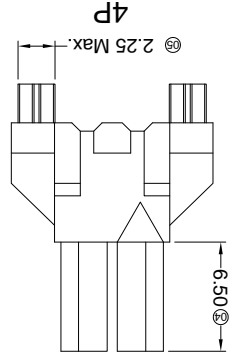
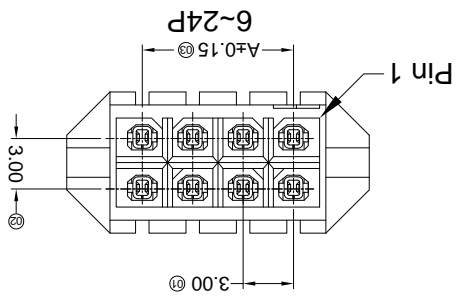
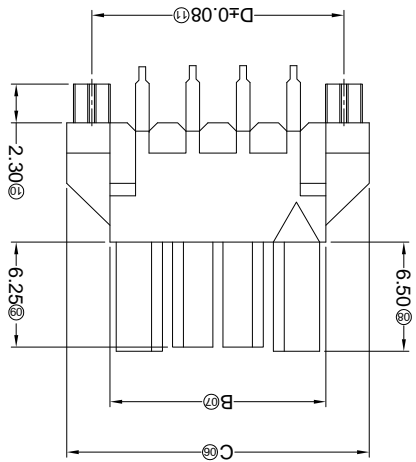
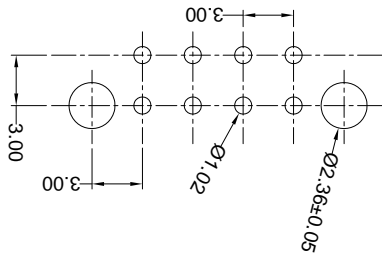
- ① Series No.
- ② Category: H-HSG
- ③ Welding Board Angle: BOARD-IN: V-180°
- ④ Row No.-Pin No.: 2*XX-2*02P~2*12P
- ⑤ Plug the Pin & special No.:
- ⑥ Material: LP-LCP 94V-0;
- ⑦ Plating Category: SN-Bright tin plating
- ⑧ Color: Blank-Natural Color

X3025 H V-2*XX LP SN XX

- Specifications:
- Voltage rating: 250V AC / DC
 - Current rating: 5A AC / DC
 - Withstanding voltage: 1000V AC/minute
 - Temperature range: -25°C~+85°C
 - Insulation resistance: ≥1000MΩ
 - Contact resistance: ≤10mΩ
 - After environmental testing: ≤20mΩ



Recommended P.C.B Layout



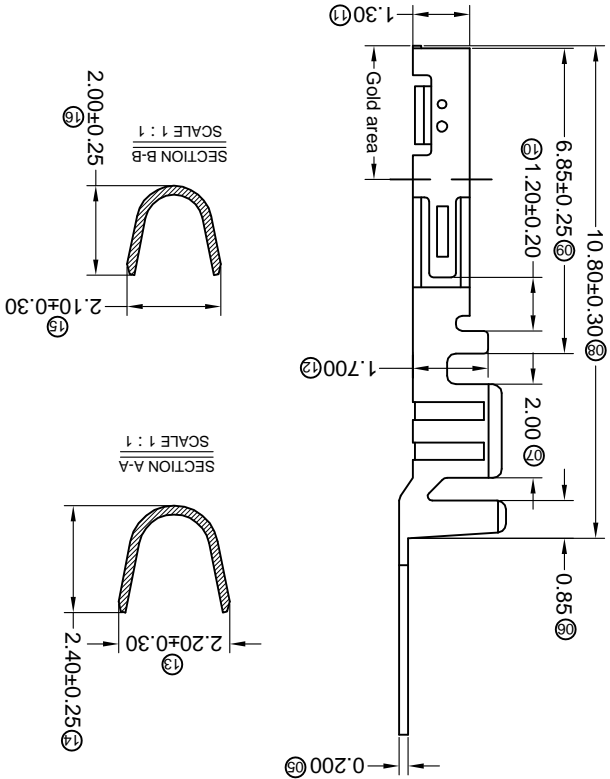
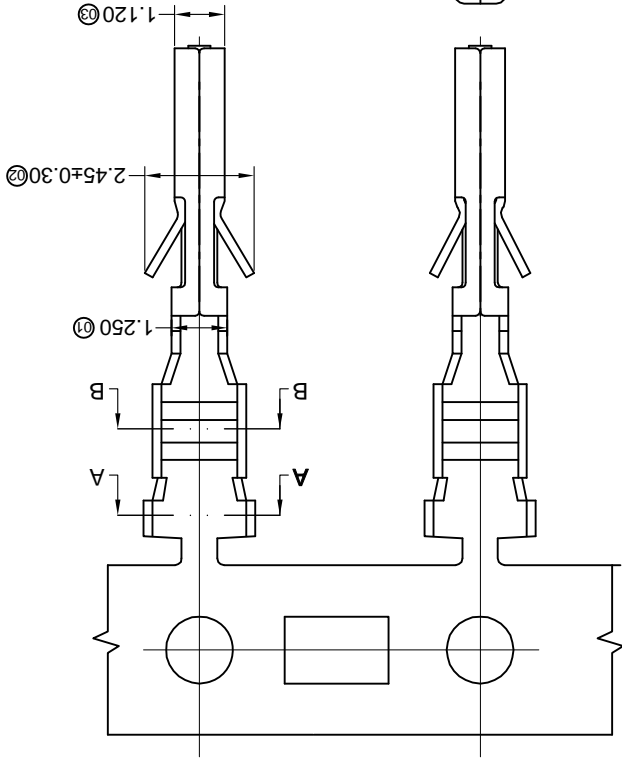
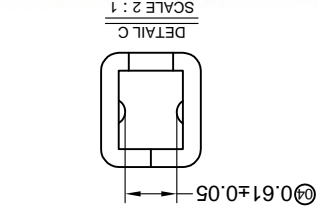
For and on behalf of
XKB INDUSTRIAL PRECISION CO., LIMITED
 香港星坤工業精密有限公司

REVISIONS
 (Unauthorized Signatures)

MARK	DESCRIPTION	DATE	REVISED	APPROVED	UNSPECIFIED TOLERANCES
△ X					L > 63 ± 0.5
△ X					16 > L ≤ 63 ± 0.4
△ X					4 < L ≤ 16 ± 0.3
△ X					L ≤ 4 ± 0.2
					ANGULAR ± 5°

DSND	DATE	SCALE: N/A	MODEL TYPE: X3025TF-PXXX
DWN	DATE	VIEW:	PART NO.:
CHKD	DATE	UNIT: mm	DWG NO.:
APPD	DATE	SIZE: A4	REVISION
			WEIGHT 1.0g
			SHEET 1/1
			REVISION A0

PART NO	Material	Wire Range	Insulation O.D.	Finish	Used in XKB Housing
X3025TF-PG30	Phosphor Bronze	AWG#20-24	1.85mm(Max)	Stamping Before Plating:30~50u" Ni;Contact Area Gold:30u" Min.	X3025HM
X3025TF-PG15				Stamping Before Plating:30~50u" Ni;Contact Area Gold:15u" Min.	
X3025TF-PG01				Stamping Before Plating:30~50u" Ni;Contact Area Gold Flash	
X3025TF-PSN				Stamping Before Plating:30~50u" Ni;70~120u" Sn	



X3025 T F-P XX X-X
 ① Series Number
 ② Category: T-terminal
 ③ Shape: F-Female Terminal
 ④ Material: P-Phosphor bronze
 ⑤ Plating style:
 ⑥ G-Gold-Plated Contact
 *01-Gold Flash *15-15u" *30-30u"
 SN-Bright tin plating 70-120u"
 ⑦ Plating method:
 Blank-Stamping before plating
 ⑧ Mold No./Mark/Special No.

- **Specifications :**
- Voltage rating: 250V AC / DC
 - Current rating: 5A AC / DC
 - Withstanding voltage: 1000V AC/minute
 - Temperature range: -40°C~+85°C
 - Insulation resistance: ≥1000MΩ
 - Contact resistance: ≤10mΩ
 - After environmental testing: ≤20mΩ

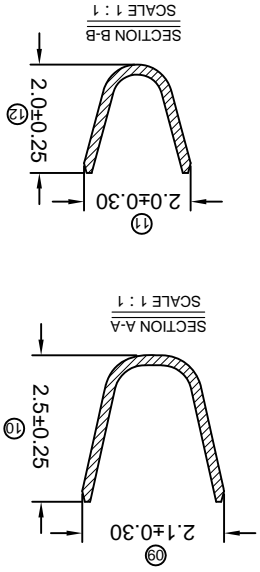
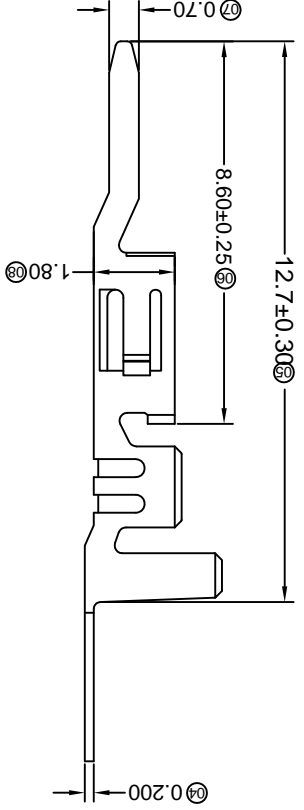
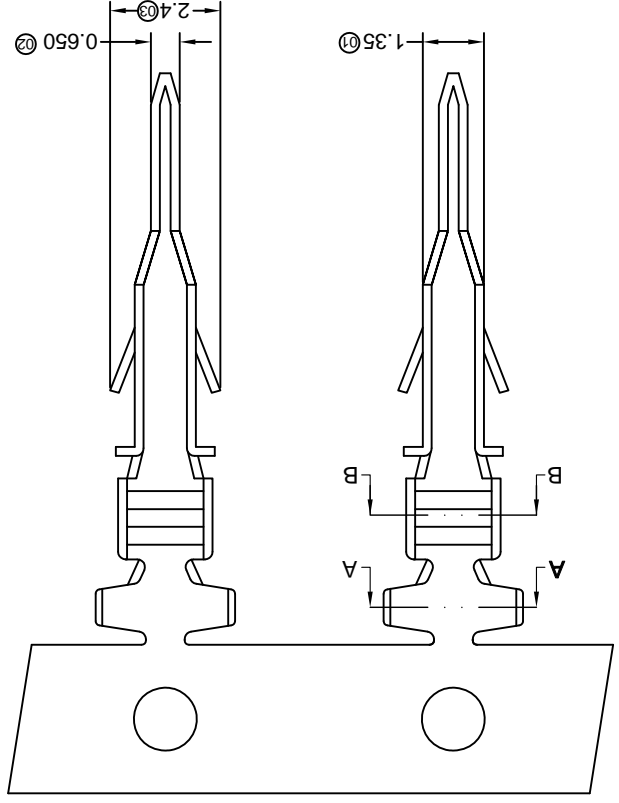
REVISIONS
Authorized Signature(s)

For and on behalf of
XKB INDUSTRIAL PRECISION CO., LIMITED
香港星坤工業精密有限公司

MARK	DESCRIPTION	DATE	REVISED	APPROVED	UNSPECIFIED TOLERANCES
△ X					L > 63
△ X					16 > L ≤ 63
△ X					4 < L ≤ 16
△ X					L ≤ 4
					ANGULAR ± 5°

DATE	SCALE: N/A	MODEL TYPE: X3025TM-PXX
DATE	VIEW:	PART NO.:
DATE	UNIT: mm	DWG NO.:
DATE	SIZE: A4	REVISION
DATE		SHEET
DATE		1/1
DATE		WEIGHT
DATE		1.0g
DATE		8

PART NO	Material	Wire Range	Insulation O.D.	Finish
X3025TM-PSN	Phosphor Bronze AWG#20-24	1.85mm(Max)		Stamping Before Plating:30u" Ni;70u" Sn
X3025TM-PG01				Stamping Before Plating:30u" Ni>Contact Area Gold Flash
X3025TM-PG15				Stamping Before Plating:30u" Ni>Contact Area Gold:15u" Min.
X3025TM-PG30				Stamping Before Plating:30u" Ni>Contact Area Gold:30u" Min.



- Specifications :**
- Voltage rating: 250V AC / DC
 - Current rating: 5A AC / DC
 - Withstanding voltage: 1000V AC/minute
 - Temperature range: -25°C~+85°C
 - Insulation resistance: ≥1000MΩ
 - Contact resistance: ≤10mΩ
 - After environmental testing: ≤20mΩ
- X3025 T-M-P XX X-X**
- ① Series Number
 - ② Category: T-terminal
 - ③ Shape: M-Male Terminal
 - ④ Material: P-Phosphor bronze
 - ⑤ Plating style: G-Gold-Plated Contact
 - ⑥ SN-Bright tin plating 70u"
 - ⑦ *01-Gold Flash *15-15u" *30-30u"
 - ⑧ Plating method: Blank-Stamping before plating
 - ⑨ Mold No./Mark/Special No.

Used in XKB Housing
X3025HF

For and on behalf of
KKB INDUSTRIAL PRECISION CO., LIMITED
 香港星坤工業精密有限公司

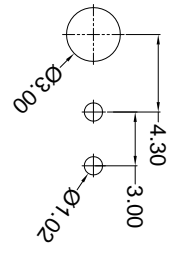
REVISIONS
 Authorized Signatures(s)

MARK	DESCRIPTION	DATE	REVISED	APPROVED	UNSPECIFIED TOLERANCES
△ X					L > 63 ± 0.5
△ X					16 > L ≤ 63 ± 0.4
△ X					4 < L ≤ 16 ± 0.3
					L ≤ 4 ± 0.2
					ANGULAR ± 5°

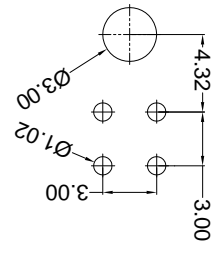
DATE	SCALE: N/A	MODEL TYPE: X3025WR-2*XX-N0XXX	VIEW:	DATE	DATE	DATE	SIZE: A4	WEIGHT: 1.0g	SHEET: 1/1	REVISION: A0
DNSD										
DWN										
CHKD										
APPD										

Part No.	Material	Material(Pin)	Finish(Pin)	Mates With KKB Housing
X3025WR-2*XX-N0G01	Nylon 66 UL 94V-0	Brass	Tin-Plated	X3025H
X3025WR-2*XX-N0SN	Nylon 66 UL 94V-0	Brass	Contact Gold	

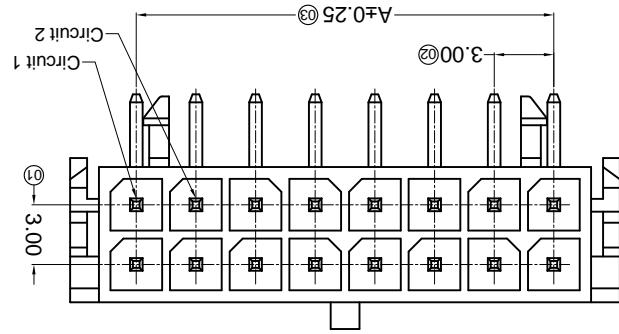
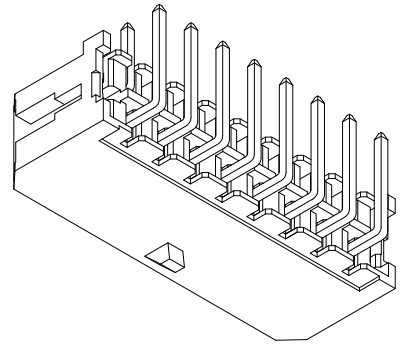
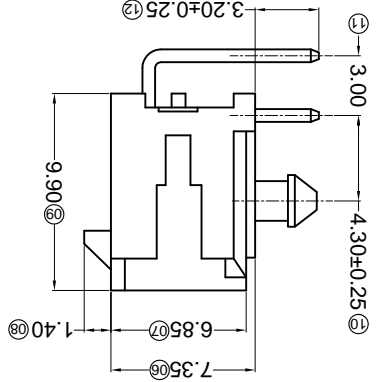
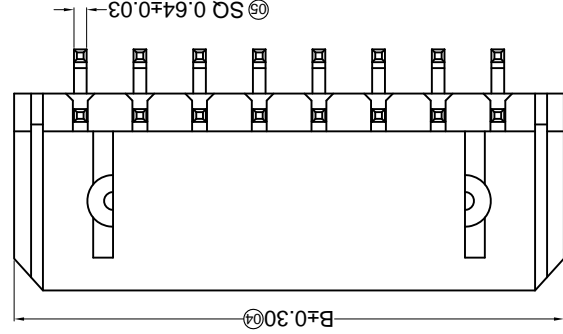
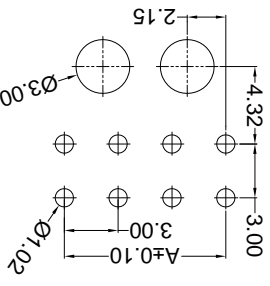
2P P.C.B LAYOUT



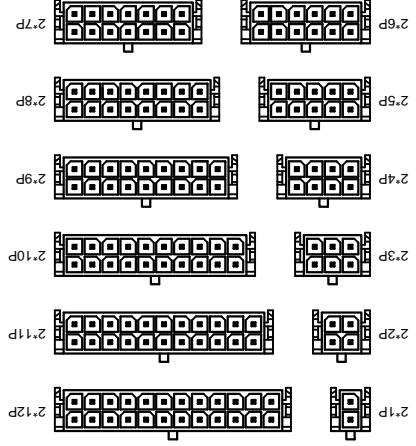
4P-6P P.C.B LAYOUT



8P-24P P.C.B LAYOUT



Scale 1:3



Dimensions (mm)	A	B
2*01	---	6.65
2*02	3.00	9.65
2*03	6.00	12.65
2*04	9.00	15.65
2*05	12.00	18.65
2*06	15.00	21.65
2*07	18.00	24.65
2*08	21.00	27.65
2*09	24.00	30.65
2*10	27.00	33.65
2*11	30.00	36.65
2*12	33.00	39.65

- ① Series No.
- ② Category: W-water
- ③ Welding Board Angle: R-90°
- ④ Welding Way: Blank-DIP
- ⑤ Row No.-Pin No.: 2*XX-2*01P-2*12P
- ⑥ Special NO.:
- ⑦ Material: N0-PA66 94V-0
- ⑧ Plating Category: G01-Contact Gold Flash;
- ⑨ Color: Blank-natural color
- ⑩ SN-Bright tin plating
- ⑪ X3025 WR X-2*XX X-N0 XX XX
- ⑫ ⑬ ⑭ ⑮ ⑯ ⑰ ⑱ ⑲ ⑳ ㉑ ㉒ ㉓ ㉔ ㉕ ㉖ ㉗ ㉘ ㉙ ㉚ ㉛ ㉜ ㉝ ㉞ ㉟ ㊱ ㊲ ㊳ ㊴ ㊵ ㊶ ㊷ ㊸ ㊹ ㊺

- Specifications:
- Voltage rating: 250V AC / DC
- Current rating: 5A AC / DC
- Withstanding voltage: 1000V AC/minute
- Temperature range: -25°C~+85°C
- Insulation resistance: ≥1000MΩ
- Contact resistance: ≤10mΩ
- After environmental testing: ≤20mΩ

REVISIONS
Unauthorized Signatures(s)

For and on behalf of
XKB INDUSTRIAL PRECISION CO., LIMITED
香港星坤工業精密有限公司

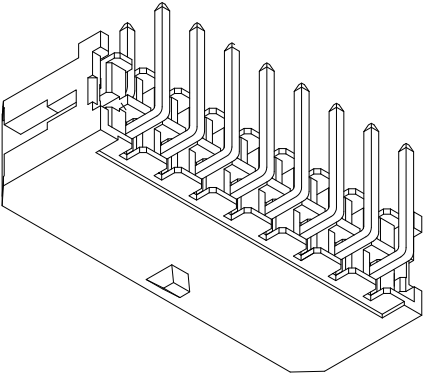
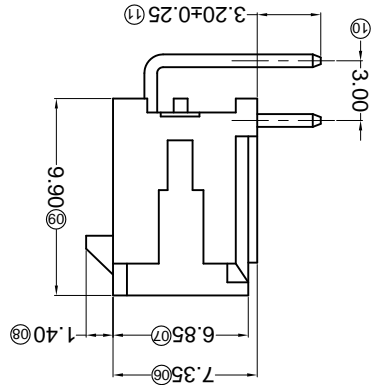
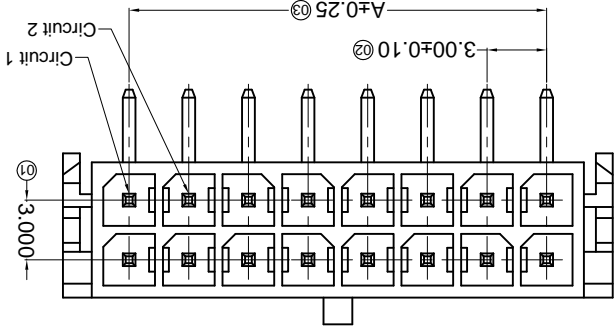
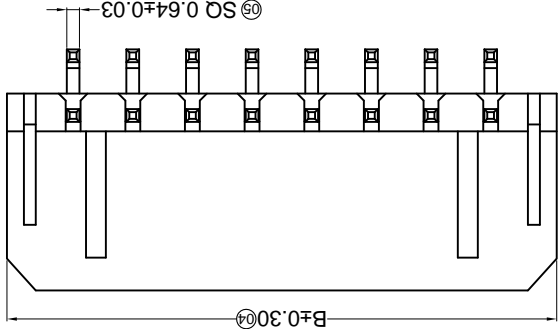
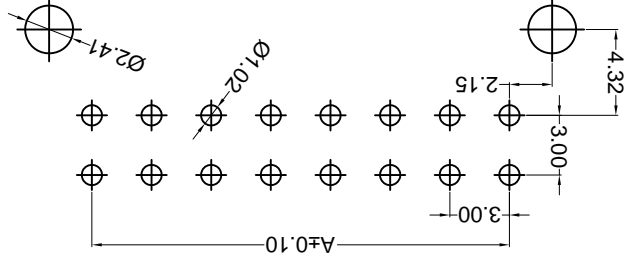
MARK	DESCRIPTION	DATE	REVISED	APPROVED	UNSPECIFIED TOLERANCES
△ X					L > 63 ± 0.5
△ X					16 < L ≤ 63 ± 0.4
△ X					4 < L ≤ 16 ± 0.3
					L ≤ 4 ± 0.2
					ANGULAR ± 5°

DATE	SCALE: N/A	MODEL TYPE: X3025WR-2*XXB-XXSN
DNSD	VIEW:	PART NO.:
DWN	DATE:	300 mm Crimp Style Connectors
CHKD	DATE:	DWG NO.:
APPD	DATE:	SIZE: A4
	WEIGHT: 1.0g	REVISION: A0

Poles	Dimensions (mm)		Poles	
	A	B	A	B
2*01	---	6.65	2*07	18.00
2*02	3.00	9.65	2*08	21.00
2*03	6.00	12.65	2*09	24.00
2*04	9.00	15.65	2*10	27.00
2*05	12.00	18.65	2*11	30.00
2*06	15.00	21.65	2*12	33.00
				39.65

Part No.	Material	Material(Pin)	Finish(Pin)	Mates With XKB Housing
X3025WR-2*XXB-LPSN	LCP UL 94V-0	Brass	Tin-Plated	X3025H
X3025WR-2*XXB-46SN	Nylon 46 UL 94V-0			
X3025WR-2*XXB-N0SN	Nylon 66 UL 94V-0			

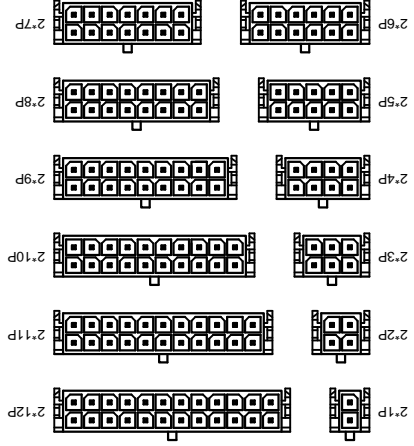
Recommended P.C.B Layout
General Tolerance±0.05



X3025 W R X-2*XX B-XX XX XX
 ① Series No.
 ② Category: W-water
 ③ Welding Board Angle: R-90°
 ④ Welding Way: Blank-DIP
 ⑤ Row No.-Pin No.: 2*XX-2*01P-2*12P
 ⑥ Special NO.: B-Without positioning column
 ⑦ Material: 46-PA46 94V-0 N0-PA66 94V-0 LP-LCP 94V-0
 ⑧ Plating Category: SN-Bright tin plating
 ⑨ Color: Blank-natural color

- Specifications :
- Voltage rating: 250V AC / DC
 - Current rating: 5A AC / DC
 - Withstanding voltage: 1000V AC/minute
 - Temperature range: -25°C~+85°C
 - Insulation resistance: ≥1000MΩ
 - Contact resistance: ≤10mΩ
 - After environmental testing: ≤20mΩ

Scale 1:3



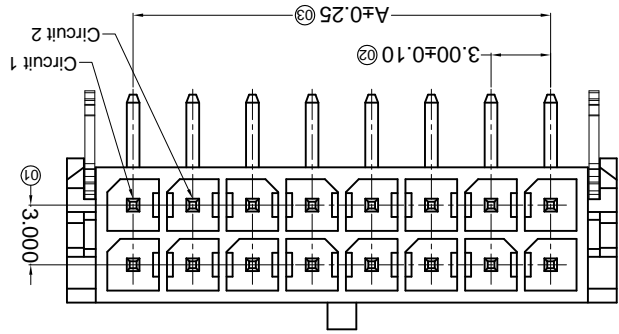
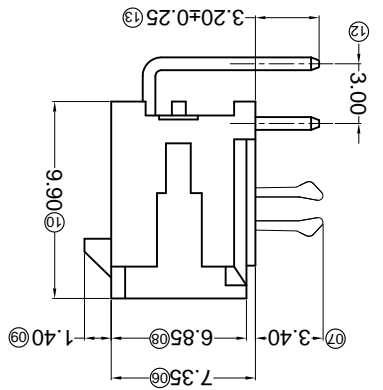
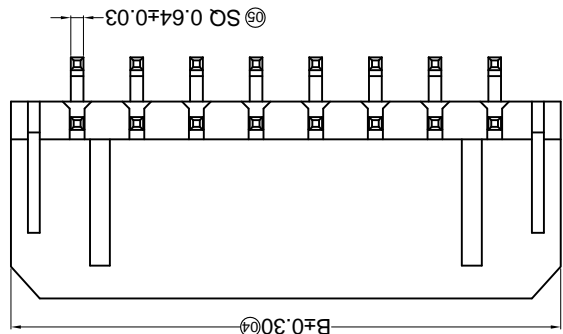
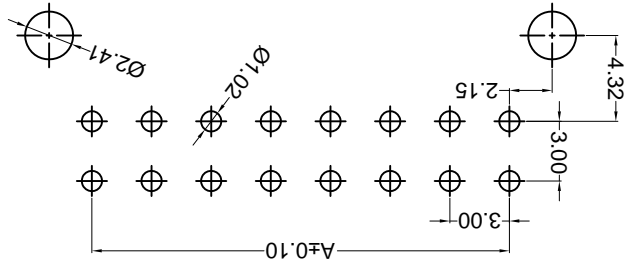
For and on behalf of
KXB INDUSTRIAL PRECISION CO., LIMITED
 香港星坤工業精密有限公司

REVISIONS
 Authorized Signature(s)

MARK	DESCRIPTION	DATE	REVISED	APPROVED	UNSPECIFIED TOLERANCES
△ X					L > 63 ± 0.5
△ X					16 < L ≤ 63 ± 0.4
△ X					4 < L ≤ 16 ± 0.3
△ X					L ≤ 4 ± 0.2
					ANGULAR ± 5°

REVISION	SHEET	WEIGHT	KXB INDUSTRIAL PRECISION CO., LIMITED			
A0	1/1	1.0g	DATE	DATE	DATE	DATE
			SIZE: A4	UNIT: mm	VIEW:	SCALE: N/A
			APPD	CHKD	DWN	DSND
			DWG NO.:	3.00 mm Crimp Style Connectors	PART NO.:	X3025WR-2*XXC-XXX
			MODEL TYPE:	X3025WR-2*XXC-XXX		

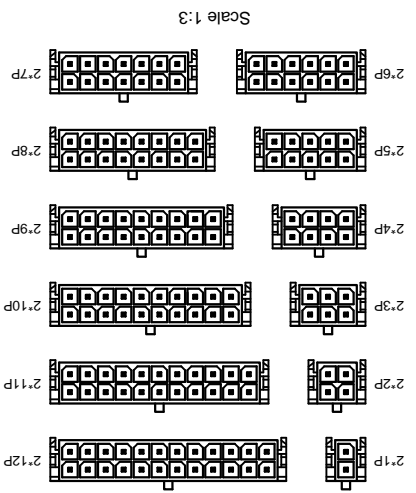
Recommended P.C.B Layout
 General Tolerance±0.05



■ Specifications :

- Voltage rating: 250V AC / DC
- Current rating: 5A AC / DC
- Withstanding voltage: 1000V AC/minute
- Temperature range: -25°C~+85°C
- Insulation resistance: ≥1000MΩ
- Contact resistance: ≤10mΩ
- After environmental testing: ≤20mΩ

- ① Series No.
- ② Category: W-water
- ③ Welding Board Angle: R-90°
- ④ Welding Way: Blank-DIP
- ⑤ Row No.-Pin No.: 2*XX-2*01P~2*12P
- ⑥ Special NO. : C-The harpoon
- ⑦ Material:
- ⑧ 46-PA46 94V-0 NO-PA66 94V-0 LP-LCP 94V-0 Planting Category:
- ⑨ G*:Gold-Plated Contact *02-2u"
- ⑩ SN-Bright tin plating 70u"
- ⑪ Color: Blank-natural color



Poles	A	B	Dimensions (mm)	
2*01	---	6.65	2*02	3.00
2*02	3.00	9.65	2*03	6.00
2*03	6.00	12.65	2*04	9.00
2*04	9.00	15.65	2*05	12.00
2*05	12.00	18.65	2*06	15.00
2*06	15.00	21.65	2*07	18.00
2*07	18.00	24.65	2*08	21.00
2*08	21.00	27.65	2*09	24.00
2*09	24.00	30.65	2*10	27.00
2*10	27.00	33.65	2*11	30.00
2*11	30.00	36.65	2*12	33.00
2*12	33.00	39.65		

Part No.	Material	Material(Pin)	Finish(Pin)	Mates With
X3025WR-2*XXC-N0S2	Nylon 66 UL 94V-0	Brass	Gold Flash	X3025H
X3025WR-2*XXC-LP5N	LCP UL 94V-0	Brass	Tin-Plated	X3025H
X3025WR-2*XXC-46SN	Nylon 46 UL 94V-0	Brass	Tin-Plated	X3025H
X3025WR-2*XXC-N0SN	Nylon 66 UL 94V-0	Brass	Tin-Plated	X3025H

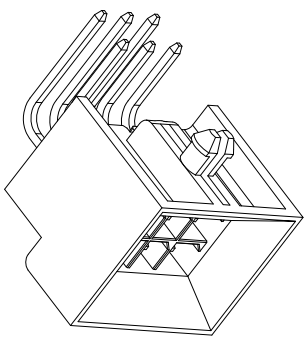
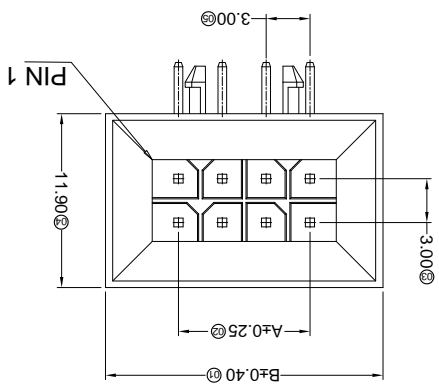
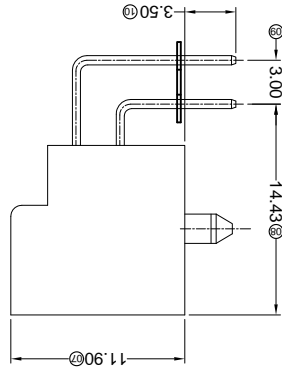
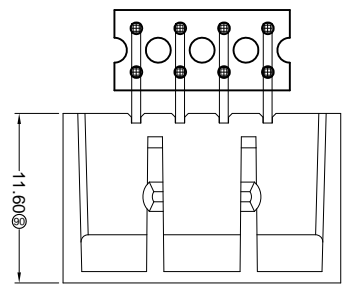
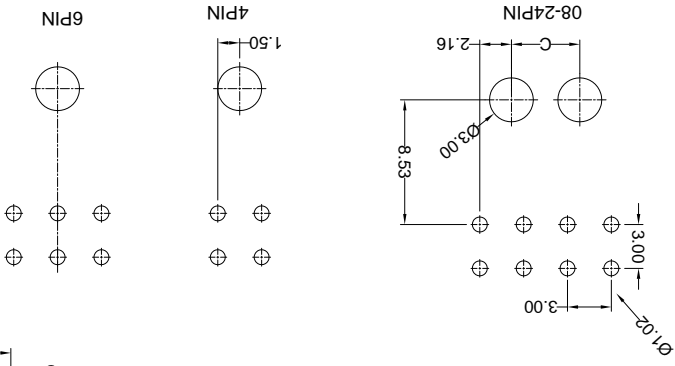
For and on behalf of
KXB INDUSTRIAL PRECISION CO., LIMITED
 香港星坤工業精密有限公司

REVISIONS
 (Authorized Signature(s))

MARK	DESCRIPTION	DATE	REVISED	APPROVED	UNSPECIFIED TOLERANCES
△ X					L > 63
△ X					16 < L ≤ 63
△ X					4 < L ≤ 16
△ X					L ≤ 4
					ANGULAR
					± 5°

DATE	SCALE: N/A	MODEL TYPE: X3025WR-2*XXH-LPSN
DNSD	DATE	
DWN	DATE	
CHKD	DATE	
APPD	DATE	
	SIZE: A4	
	UNIT: mm	
	VIEW:	
	PART NO.: 3.00 mm Crimp Style Connectors	
	DWG NO.:	
	WEIGHT: 1.0g	
	SHEET: 1/1	
	REVISION: A0	

PCB LAYOUT : Component side



■ Specifications :

- Voltage rating: 250V AC / DC
- Current rating: 5A AC / DC
- Withstanding voltage: 1500V AC/minute
- Temperature range: -25°C~+85°C
- Insulation resistance: ≥1000MΩ
- Contact resistance: ≤10mΩ
- After environmental testing: ≤20mΩ

X3025 W R X-2*XX H-LP SN XX
 ① ② ③ ④ ⑤ ⑥ ⑦ ⑧ ⑨
 ⑩ Series No.

- ⑪ Category: W-water
- ⑫ Welding Board Angle: R-90°
- ⑬ Welding Way: Blank-DIP
- ⑭ Row No.-Pin No.: 2*XX-2*01P~2*12P
- ⑮ Special NO. : H-With Base and positioning column
- ⑯ Material: LP-LCP 94V-0
- ⑰ Planting Category: SN-Bright tin plating
- ⑱ Color: Blank-natural color

Poles	Dimensions (mm)		
	A	B	C
2*02	3.00	13.00	2*08
2*03	6.00	16.00	2*09
2*04	9.00	19.00	4.68
2*05	12.00	22.00	7.68
2*06	15.00	25.00	10.68
2*07	18.00	28.00	13.68

Part No.	Material	Material(Pin)	Finish(Pin)	Mates With XKB Housing
X3025WR-2*XXH-LPSN	LCP UL 94V-0	Brass	Tin-Plated	X3025H

For and on behalf of
KXB INDUSTRIAL PRECISION CO., LIMITED
 香港星坤工業精密有限公司
 Authorized Signatures(s)

MARK	DESCRIPTION	DATE	REVISED	APPROVED	UNSPECIFIED TOLERANCES
△ X					$L > 63$ ± 0.5
△ X					$16 < L \leq 63$ ± 0.4
△ X					$4 < L \leq 16$ ± 0.3
△ X					$L \leq 4$ ± 0.2
					ANGULAR $\pm 5^\circ$

REVISION	SHEET	WEIGHT	SIZE	DATE	DATE	DATE	DATE
A0	1/1	1.0g	A4				

KXB INDUSTRIAL PRECISION CO., LIMITED
 8 7 6 5 4 3 2 1

DSND	DATE	SCALE	MODEL TYPE
		N/A	X3025WRS-2*XXA-LPXX

VIEW	DATE	DATE	DATE
VIEW:			

CHKD	DATE	UNIT	DWG NO.:
		mm	3.00 mm Crimp Style Connectors

APPD	DATE	SIZE	PART NO.:
		A4	X3025WRS-2*XXA-LPXX

DWN	DATE	SCALE	MODEL TYPE
		N/A	X3025WRS-2*XXA-LPXX

Material	Material(Pin)	Finish(Pin)	Mates With XKB Housing
LCP UL 94V-0	Brass	Tin-Plated	X3025H
X3025WRS-2*XXA-LPSW		Mate Tin Plating	

Poles		Dimensions (mm)	
A	B	C	Poles
2*01	6.65	2*07	A
2*02	3.00	2*08	B
2*03	6.00	2*09	C
2*04	9.00	4*07	A
2*05	12.00	7*07	B
2*06	15.00	10*07	C
2*07	12.65	2*09	A
2*08	9.65	2*08	B
2*09	12.65	2*09	C
2*10	15.65	4*07	A
2*11	18.65	7*07	B
2*12	21.65	10*07	C
2*13	24.00	2*09	A
2*14	30.65	2*09	B
2*15	33.65	2*10	C
2*16	36.65	2*11	A
2*17	39.65	2*12	B
2*18	42.00	2*13	C
2*19	47.00	2*14	A
2*20	6.00	2*09	B
2*21	9.00	2*10	C
2*22	12.00	2*11	A
2*23	15.00	2*12	B
2*24	18.00	2*13	C
2*25	21.00	2*14	A
2*26	24.00	2*15	B
2*27	27.00	2*16	C
2*28	30.00	2*17	A
2*29	33.00	2*18	B
2*30	36.00	2*19	C
2*31	39.00	2*20	A
2*32	42.00	2*21	B
2*33	45.00	2*22	C
2*34	48.00	2*23	A
2*35	51.00	2*24	B
2*36	54.00	2*25	C
2*37	57.00	2*26	A
2*38	60.00	2*27	B
2*39	63.00	2*28	C
2*40	66.00	2*29	A
2*41	69.00	2*30	B
2*42	72.00	2*31	C
2*43	75.00	2*32	A
2*44	78.00	2*33	B
2*45	81.00	2*34	C
2*46	84.00	2*35	A
2*47	87.00	2*36	B
2*48	90.00	2*37	C
2*49	93.00	2*38	A
2*50	96.00	2*39	B
2*51	99.00	2*40	C
2*52	102.00	2*41	A
2*53	105.00	2*42	B
2*54	108.00	2*43	C
2*55	111.00	2*44	A
2*56	114.00	2*45	B
2*57	117.00	2*46	C
2*58	120.00	2*47	A
2*59	123.00	2*48	B
2*60	126.00	2*49	C
2*61	129.00	2*50	A
2*62	132.00	2*51	B
2*63	135.00	2*52	C
2*64	138.00	2*53	A
2*65	141.00	2*54	B
2*66	144.00	2*55	C
2*67	147.00	2*56	A
2*68	150.00	2*57	B
2*69	153.00	2*58	C
2*70	156.00	2*59	A
2*71	159.00	2*60	B
2*72	162.00	2*61	C
2*73	165.00	2*62	A
2*74	168.00	2*63	B
2*75	171.00	2*64	C
2*76	174.00	2*65	A
2*77	177.00	2*66	B
2*78	180.00	2*67	C
2*79	183.00	2*68	A
2*80	186.00	2*69	B
2*81	189.00	2*70	C
2*82	192.00	2*71	A
2*83	195.00	2*72	B
2*84	198.00	2*73	C
2*85	201.00	2*74	A
2*86	204.00	2*75	B
2*87	207.00	2*76	C
2*88	210.00	2*77	A
2*89	213.00	2*78	B
2*90	216.00	2*79	C
2*91	219.00	2*80	A
2*92	222.00	2*81	B
2*93	225.00	2*82	C
2*94	228.00	2*83	A
2*95	231.00	2*84	B
2*96	234.00	2*85	C
2*97	237.00	2*86	A
2*98	240.00	2*87	B
2*99	243.00	2*88	C
2*100	246.00	2*89	A
2*101	249.00	2*90	B
2*102	252.00	2*91	C
2*103	255.00	2*92	A
2*104	258.00	2*93	B
2*105	261.00	2*94	C
2*106	264.00	2*95	A
2*107	267.00	2*96	B
2*108	270.00	2*97	C
2*109	273.00	2*98	A
2*110	276.00	2*99	B
2*111	279.00	2*100	C
2*112	282.00	2*101	A
2*113	285.00	2*102	B
2*114	288.00	2*103	C
2*115	291.00	2*104	A
2*116	294.00	2*105	B
2*117	297.00	2*106	C
2*118	300.00	2*107	A
2*119	303.00	2*108	B
2*120	306.00	2*109	C
2*121	309.00	2*110	A
2*122	312.00	2*111	B
2*123	315.00	2*112	C
2*124	318.00	2*113	A
2*125	321.00	2*114	B
2*126	324.00	2*115	C
2*127	327.00	2*116	A
2*128	330.00	2*117	B
2*129	333.00	2*118	C
2*130	336.00	2*119	A
2*131	339.00	2*120	B
2*132	342.00	2*121	C
2*133	345.00	2*122	A
2*134	348.00	2*123	B
2*135	351.00	2*124	C
2*136	354.00	2*125	A
2*137	357.00	2*126	B
2*138	360.00	2*127	C
2*139	363.00	2*128	A
2*140	366.00	2*129	B
2*141	369.00	2*130	C
2*142	372.00	2*131	A
2*143	375.00	2*132	B
2*144	378.00	2*133	C
2*145	381.00	2*134	A
2*146	384.00	2*135	B
2*147	387.00	2*136	C
2*148	390.00	2*137	A
2*149	393.00	2*138	B
2*150	396.00	2*139	C
2*151	399.00	2*140	A
2*152	402.00	2*141	B
2*153	405.00	2*142	C
2*154	408.00	2*143	A
2*155	411.00	2*144	B
2*156	414.00	2*145	C
2*157	417.00	2*146	A
2*158	420.00	2*147	B
2*159	423.00	2*148	C
2*160	426.00	2*149	A
2*161	429.00	2*150	B
2*162	432.00	2*151	C
2*163	435.00	2*152	A
2*164	438.00	2*153	B
2*165	441.00	2*154	C
2*166	444.00	2*155	A
2*167	447.00	2*156	B
2*168	450.00	2*157	C
2*169	453.00	2*158	A
2*170	456.00	2*159	B
2*171	459.00	2*160	C
2*172	462.00	2*161	A
2*173	465.00	2*162	B
2*174	468.00	2*163	C
2*175	471.00	2*164	A
2*176	474.00	2*165	B
2*177	477.00	2*166	C
2*178	480.00	2*167	A
2*179	483.00	2*168	B
2*180	486.00	2*169	C
2*181	489.00	2*170	A
2*182	492.00	2*171	B
2*183	495.00	2*172	C
2*184	498.00	2*173	A
2*185	501.00	2*174	B
2*186	504.00	2*175	C
2*187	507.00	2*176	A
2*188	510.00	2*177	B
2*189	513.00	2*178	C
2*190	516.00	2*179	A
2*191	519.00	2*180	B
2*192	522.00	2*181	C
2*193	525.00	2*182	A
2*194	528.00	2*183	B
2*195	531.00	2*184	C
2*196	534.00	2*185	A
2*197	537.00	2*186	B
2*198	540.00	2*187	C
2*199	543.00	2*188	A
2*200	546.00	2*189	B
2*201	549.00	2*190	C
2*202	552.00	2*191	A
2*203	555.00	2*192	B
2*204	558.00	2*193	C
2*205	561.00	2*194	A
2*206	564.00	2*195	B
2*207	567.00	2*196	C
2*208	570.00	2*197	A
2*209	573.00	2*198	B
2*210	576.00	2*199	C
2*211	579.00	2*200	A
2*212	582.00	2*201	B
2*213	585.00	2*202	C
2*214	588.00	2*203	A
2*215	591.00	2*204	B
2*216	594.00	2*205	C
2*217	597.00	2*206	A
2*218	600.00	2*207	B
2*219	603.00	2*208	C
2*220	606.00	2*209	A
2*221	609.00	2*210	B
2*222	612.00	2*211	C
2*223	615.00	2*212	A
2*224	618.00	2*213	B
2*225	621.00	2*214	C
2*226	624.00	2*215	A
2*227	627.00	2*216	B
2*228	630.00	2*217	C
2*229	633.00	2*218	A
2*230	636.00	2*219	B
2*231	639.00	2*220	C
2*232	642.00	2*221	A
2*233	645.00	2*222	B
2*234</			

For and on behalf of
KXB INDUSTRIAL PRECISION CO., LIMITED
 香港星坤工業精密有限公司

REVISIONS
 Authorized Signature(s)

MARK	DESCRIPTION	DATE	REVISED	APPROVED	UNSPECIFIED TOLERANCES
△ X					L > 63
△ X					16 > L ≤ 63
△ X					4 < L ≤ 16
△ X					L ≤ 4
					ANGULAR
					± 5°
					± 0.2
					± 0.3
					± 0.4
					± 0.5

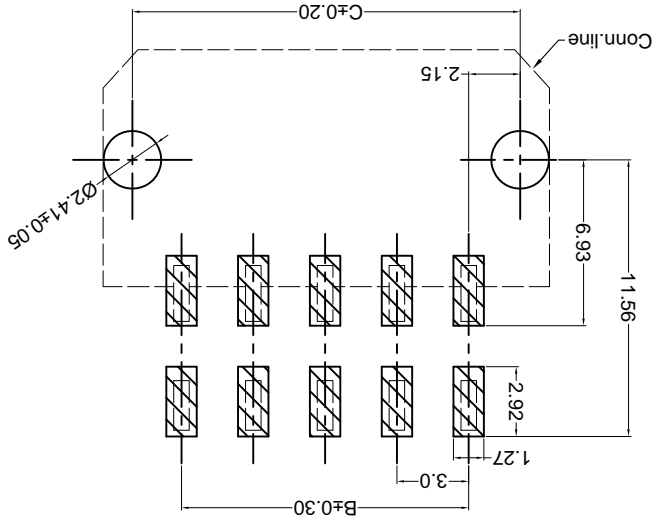
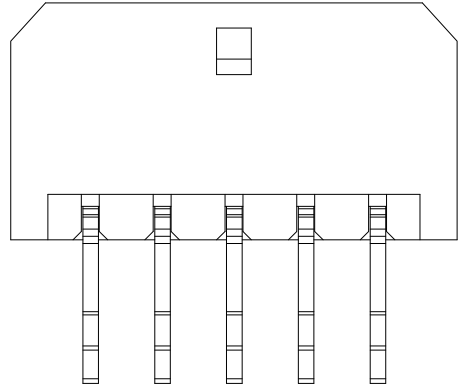
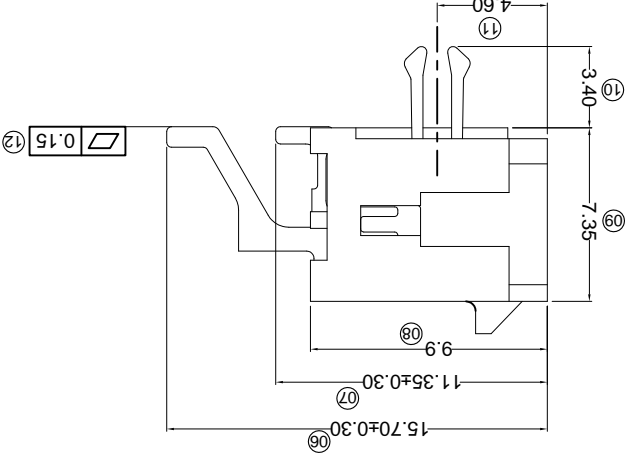
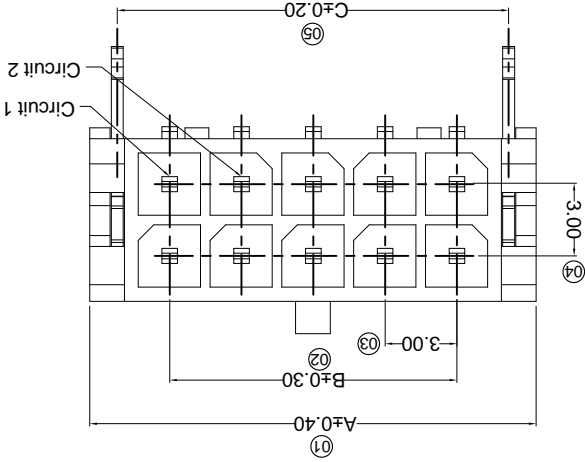
REVISION	SHEET	WEIGHT	DATE	DATE	DATE	DATE	DATE	DATE
A0	1/1	1.0g						

KXB INDUSTRIAL PRECISION CO., LIMITED

DSND	SCALE: N/A	DATE	DATE	DATE	DATE	DATE	DATE
DWN	VIEW:	DATE	DATE	DATE	DATE	DATE	DATE
CHKD	UNIT: mm	DATE	DATE	DATE	DATE	DATE	DATE
APPD	SIZE: A4	DATE	DATE	DATE	DATE	DATE	DATE

MODEL TYPE: X3025WRS-2*XXC-XXXX
 PART NO.:
 DWG NO.:
 3.00 mm Crimp Style Connectors

PART NO	Material	Material(Pin)	Finish(Pin)	(Solder Tabs) Material	(Solder Tabs) Finish	Mates With XKB Housing
X3025WRS-2*XXC-LPSW	LCP UL 94V-0	Brass	Ni:50u"Min; Sn:120u"Min	Brass	Tin-Plated	X3025H
X3025WRS-2*XXC-LPSN	LCP UL 94V-0	Brass	Ni:50u"Min; Sn:120u"Min	Brass	Plating	
X3025WRS-2*XXC-NOSN	PA66 UL 94V-0	Brass	Ni:50u"Min; Sn:120u"Min	Brass	Finish Tabs	Mates With XKB Housing



- Specifications :
- Voltage rating: 250V AC / DC
 - Current rating: 5A AC / DC
 - Withstanding voltage: 1000V AC/minute
 - Temperature range: -25°C~+85°C
 - Insulation resistance: ≥1000MΩ
 - Contact resistance: ≤10mΩ
 - After environmental testing: ≤20mΩ

X3025 W R S-2*XX C-XX XX XX
 01 02 03 04 05 06 07 08 09

- ① Series No.
- ② Category: W-water
- ③ Welding Board Angle: R-90°
- ④ Welding Way: S-SMT
- ⑤ Row No.-Pin No.: 2*XX-Double row
- ⑥ Special NO.: C-The harpoon
- ⑦ Material: LP-LCP 94V-0
- ⑧ Material: N0-PA66 94V-0
- ⑨ Planting Category: SN-Bright tin plating 70u"
- ⑩ SW-Fog Tin plating
- ⑪ Color: Blank-natural color

Poles	A	B	C
02	6.65	---	4.20
04	9.65	3.00	7.20
06	12.65	6.00	10.20
08	15.65	9.00	13.20
10	18.65	12.00	16.20
12	21.65	15.00	19.20
14	24.65	18.00	22.20
16	27.65	21.00	25.20
18	30.65	24.00	28.20
20	33.65	27.00	31.20
22	36.65	30.00	34.20
24	39.65	33.00	37.20

Dimensions(mm)

For and on behalf of
XKB INDUSTRIAL PRECISION CO., LIMITED
 香港星坤工業精密有限公司

Authorized Signature(s)

MARK	DESCRIPTION	DATE	REVISD	APPROVED	UNSPECIFIED TOLERANCES
△ X					L > 63
△ X					16 < L ≤ 63
△ X					4 < L ≤ 16
△ X					L ≤ 4
					ANGULAR
					± 5°

REVISION	SHEET	WEIGHT	DATE	DATE	DATE	DATE	DATE
A0	1/1	1.0g					

DSND	DWN	CHKD	APPD
DATE	DATE	DATE	DATE
SCALE: N/A	VIEW:	UNIT: mm	SIZE: A4
MODEL TYPE: X3025WRS-2*XXD-XXXX	PART NO.:	DWG NO.:	
		3.00 mm Crimp Style Connectors	

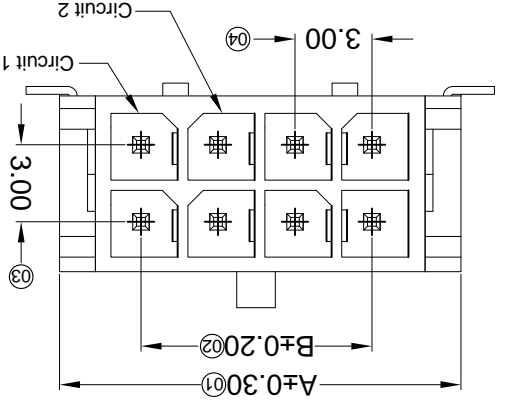
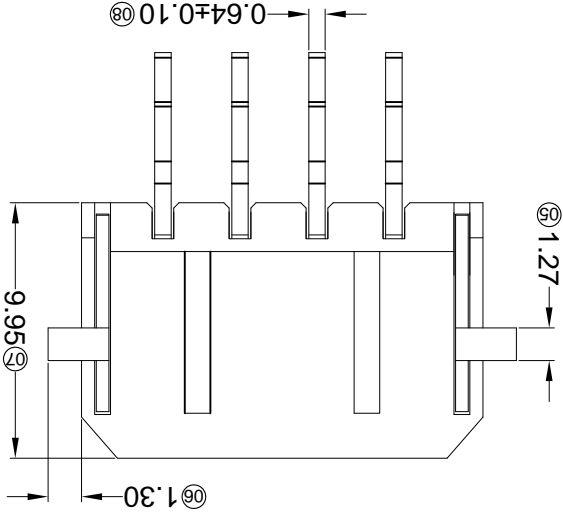
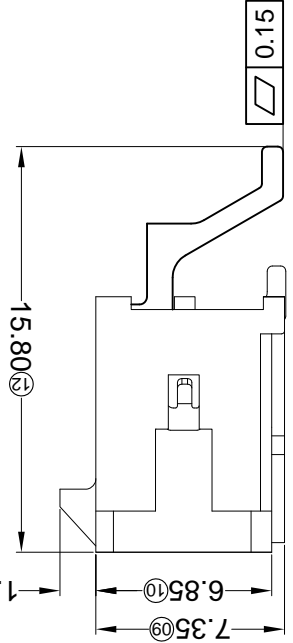
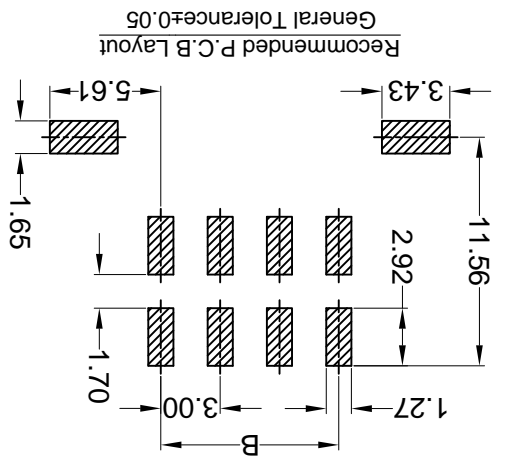
PART NO	Material	Material(Pin)	Finish(Pin)	Material (Solder Tabs)	Finish (Solder Tabs)	Mates With XKB Housing
X3025WRS-2*XXD-LPSN	LCP UL 94V-0	Brass	Tin-Plated Contact Area Gold 5u" Min.	Brass	Tin-Plated	X3025H
X3025WRS-2*XXD-LPG06						
X3025WRS-2*XXD-LPSW						
			Matte tin			

Poles	Dimensions (mm)	
	A	B
2*01	6.65	---
2*02	9.65	3.00
2*03	12.65	6.00
2*04	15.65	9.00
2*05	18.65	12.00
2*06	21.65	15.00
		2*12
		2*11
		2*10
		2*09
		2*08
		2*07
		2*06

- ① Series No.
- ② Category: W-WAFER
- ③ Welding Board Angle: R-Straight 90°
- ④ Welding Way: S-SMT
- ⑤ Row No.-Pin No.: 2*XX-2*02P~2*22P
- ⑥ Plug the Pin & Special No.: D-With Solder Tabs
- ⑦ Material: LP-LCP 94V-0
- ⑧ Plating Category: SN-Bright Tin Plating; G05-Contact Gold 5u"
- ⑨ Color: Blank-Natural Color

X3025 W R S-2*XX D-LP XX XX
 Recommended P.C.B Layout
 General Tolerance±0.05

- Voltage rating: 250V AC / DC
- Current rating: 5A AC / DC
- Withstanding voltage: 1000V AC/minute
- Temperature range: -25°C~+85°C
- Insulation resistance: ≥1000MΩ
- Contact resistance: ≤10mΩ
- After environmental testing: ≤20mΩ



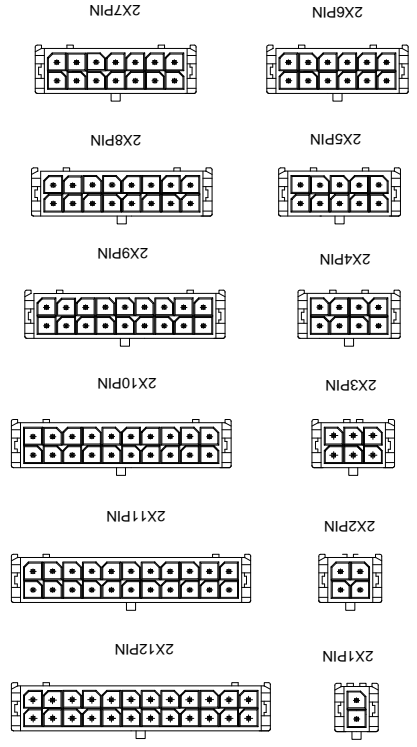
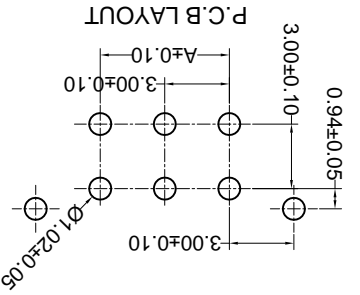
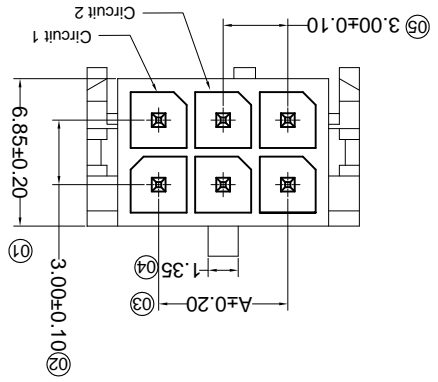
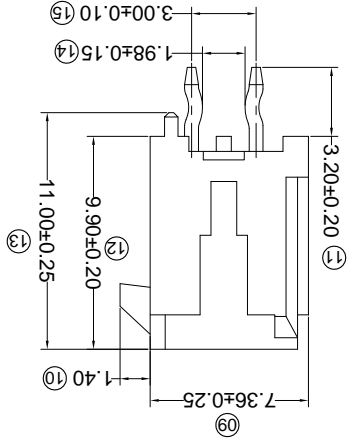
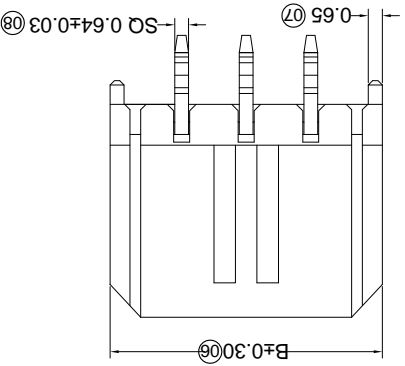
For and on behalf of
XKB INDUSTRIAL PRECISION CO., LIMITED
 香港星坤工業精密有限公司

REVISIONS
 Authorized Signature(s)

MARK	DESCRIPTION	DATE	REVISED	APPROVED	UNSPECIFIED TOLERANCES
△ X					L > 63 ± 0.5
△ X					16 < L ≤ 63 ± 0.4
△ X					4 < L ≤ 16 ± 0.3
					L ≤ 4 ± 0.2
					ANGULAR ± 5°

DATE	SCALE: N/A	MODEL TYPE: X3025WV-2*XX-XXXX
DNSD		
DWN	VIEW:	PART NO.: 3.00 mm Crimp Style Connectors
CHKD	UNIT: mm	DWG NO.:
APPD	DATE	SIZE: A4
		WEIGHT 1.0g
		SHEET 1/1
		REVISION A0

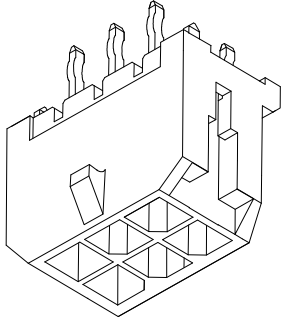
PART NO	Material	Material(Pin)	Finish(Pin)	Mates With XKB Housing
X3025WV-2*XX-PTSN	PBT UL 94V-0	Brass	Tin-Plated	X3025H
X3025WV-2*XX-46SN	PA46 UL 94V-0			
X025WV-2*XX-N0SN	PA66 UL 94V-0			
X3025WV-2*XX-46V01	PA46 UL 94V-0			



Poles	Dimensions (mm)		Poles	Dimensions (mm)	
	A	B		A	B
2*01	---	6.65	2*07	18.00	24.65
2*02	3.00	9.65	2*08	21.00	27.65
2*03	6.00	12.65	2*09	24.00	30.65
2*04	9.00	15.65	2*10	27.00	33.65
2*05	12.00	18.65	2*11	30.00	36.65
2*06	15.00	21.65	2*12	33.00	39.65

- ① Series No. X3025 W V X-2*XX X-XX XX XX ①-⑨
- ② Category: W-WAFER
- ③ Welding Board Angle: V-Straight 180°
- ④ Welding Way: Blank-DIP
- ⑤ Row No.-Pin No.: 2*XX-2*01P-2*22P
- ⑥ Plug the Pin & Special No.:
- ⑦ Material: N0-PA66 94V-0; PT-PBT 94V-0; 46-PA46 94V-0
- ⑧ Plating Category: SN-Bright Tin Plating; V01-All Gold Flash
- ⑨ Color: Blank-Natural Color

- Specifications:
- Voltage rating: 250V AC / DC
 - Current rating: 5A AC / DC
 - Withstanding voltage: 1000V AC/minute
 - Temperature range: -25°C~+85°C
 - Insulation resistance: ≥1000MΩ
 - Contact resistance: ≤10mΩ
 - After environmental testing: ≤20mΩ



For and on behalf of
KXB INDUSTRIAL PRECISION CO., LIMITED
 香港星坤工業精密有限公司

Authorized Signatures

MARK	DESCRIPTION	DATE	REVISED	APPROVED	UNSPECIFIED TOLERANCES
△ X					L > 63
△ X					16 > L ≤ 63
△ X					4 < L ≤ 16
△ X					L ≤ 4
					ANGULAR
					± 5°

REVISIONS	DATE	REVISED	APPROVED	UNSPECIFIED TOLERANCES
				L > 63
				16 > L ≤ 63
				4 < L ≤ 16
				L ≤ 4
				ANGULAR
				± 5°

DSND	DATE	SCALE: N/A	MODEL TYPE: X3025WV-2*XXC-XXXX
APPD <th>DATE</th> <th>VIEW: </th> <th>PART NO.: 300 mm Crimp Style Connectors</th>	DATE	VIEW:	PART NO.: 300 mm Crimp Style Connectors
CHKD <th>DATE</th> <th>UNIT: mm</th> <th>DWG NO.:</th>	DATE	UNIT: mm	DWG NO.:
SIZE: A4 <th>DATE</th> <th>DATE</th> <th>WEIGHT</th>	DATE	DATE	WEIGHT
	DATE	DATE	SHEET
	DATE	DATE	REVISION

PART NO	Material	Material(Pin)	Finish(Pin)	Mates With XKB Housing
X3025WV-2*XXC-9T5N	Nylon 9T UL 94V-0	Brass	Tin Plating Fog	X3025H
X3025WV-2*XXC-LPSW	LCP UL 94V-0			

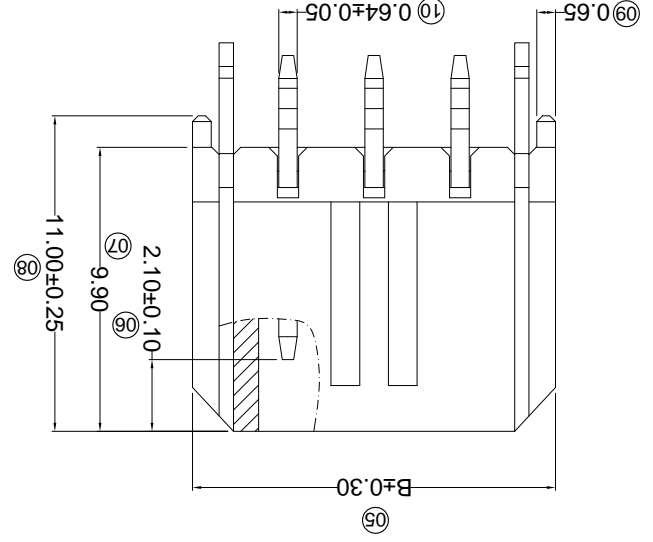
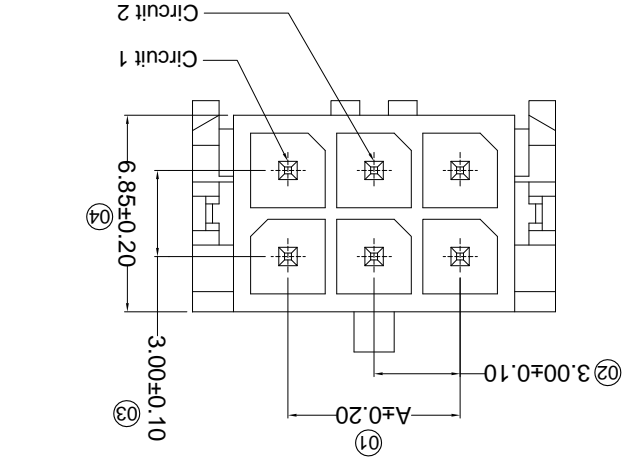
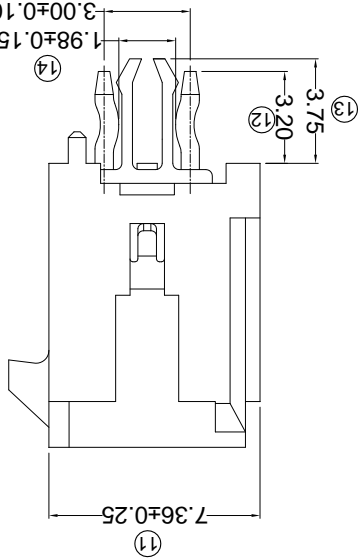
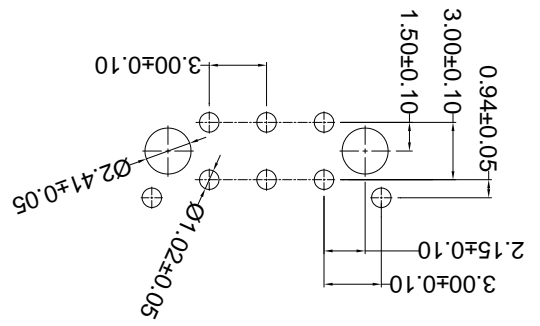
Poles	Dimensions (mm)	A	B
02	--	6.65	6.65
04	3.00	9.65	9.65
06	6.00	12.65	12.65
08	9.00	15.65	15.65
10	12.00	18.65	18.65
12	15.00	21.65	21.65
14	18.00	24.65	24.65
16	21.00	27.65	27.65
18	24.00	30.65	30.65
20	27.00	33.65	33.65
22	30.00	36.65	36.65
24	33.00	39.65	39.65

Specifications:

- Voltage rating: 250V AC / DC
- Current rating: 5A AC / DC
- Withstanding voltage: 1000V AC/minute
- Temperature range: -25°C~+85°C
- Insulation resistance: ≥1000MΩ
- Contact resistance: ≤10mΩ
- After environmental testing: ≤20mΩ

① Series No.
 ② Category: W-water
 ③ Welding Board Angle: V-180°
 ④ Welding Way: Blank-DIP
 ⑤ Row No.-Pin No. 2*XX-Double row
 ⑥ Special NO. C-The harpoon
 ⑦ Material: LP-LCP 94V-0 9T-PA9T 94V-0
 ⑧ Planting Category: V** All Gold-Plated
 *01-Gold Flash : *02-2u" ; *03-3u" ; *05-5u"
 *10-10u" ; *15-15u" ; *30-30u" ; *50-50u"
 SN-Bright tin plating 70u"
 SN1-Bright tin plating 120u" Min. ;
 SW-Fog Tin plating
 ⑨ Color: Blank-natural color

P.C.B LAYOUT



REVISIONS
Authorized Signatures

MARK	DESCRIPTION	DATE	REVISED	APPROVED	UNSPECIFIED TOLERANCES
△ X					L > 63
△ X					16 < L ≤ 63
△ X					4 < L ≤ 16
△ X					L ≤ 4
					ANGULAR
					± 5°

For and on behalf of
XKB INDUSTRIAL PRECISION CO., LIMITED
香港星坤工業精密有限公司

XKB INDUSTRIAL PRECISION CO., LIMITED

WEIGHT	1.0g
SHEET	1/1
REVISION	A0

MODEL TYPE:	X3025WV-2*XXCN-LPSN
PART NO.:	
VIEW:	VIEW: ①
SCALE:	N/A
DATE:	
DWNSD	
CHKD	
APPD	
DATE:	
UNIT:	mm
SIZE:	A4

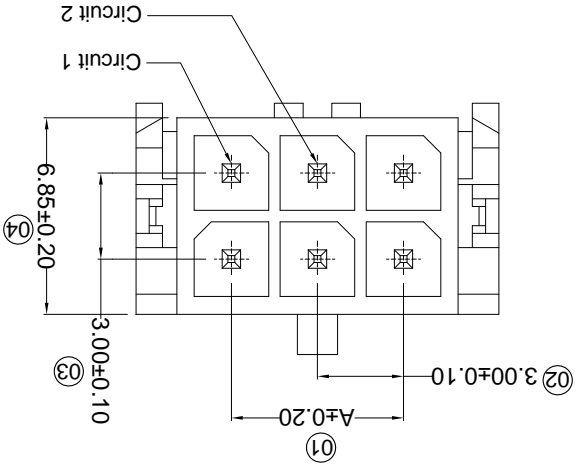
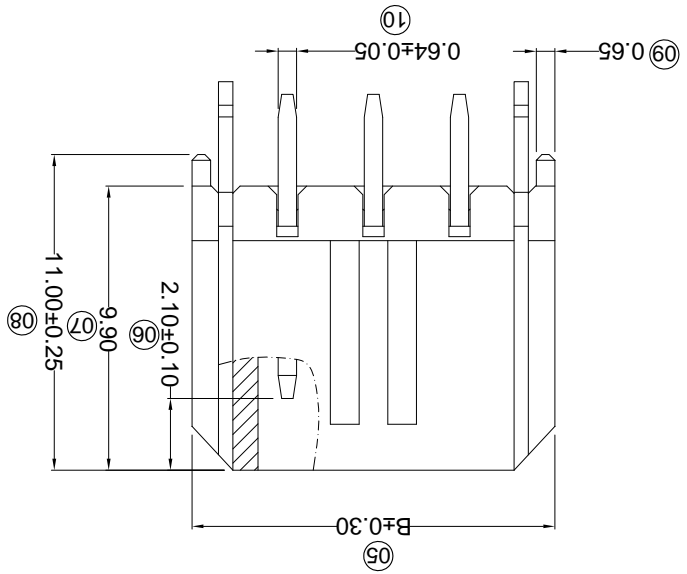
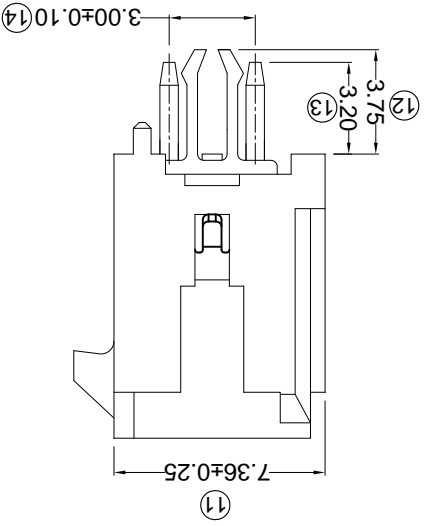
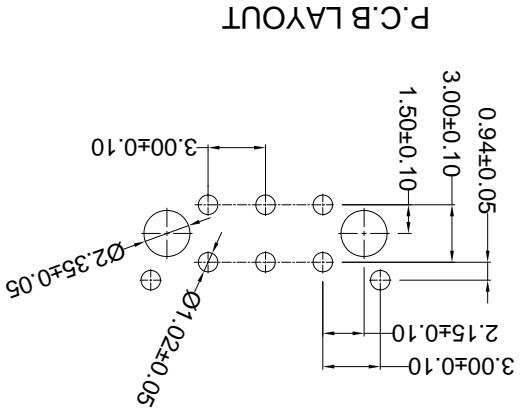
PART NO	Material	Material(Pin)	Finish(Pin)	Mates With XKB Housing
X3025WV-2*XXCN-LPSN	LCP UL 94V-0	Brass	Tin-Plated	X3025H

Poles	A	B
02	--	6.65
04	3.00	9.65
06	6.00	12.65
08	9.00	15.65
10	12.00	18.65
12	15.00	21.65
14	18.00	24.65
16	21.00	27.65
18	24.00	30.65
20	27.00	33.65
22	30.00	36.65
24	33.00	39.65

- ① Series No.
- ② Category:
- ③ W-water
- ④ Welding Board Angle:
- ⑤ V-180°
- ⑥ Welding Way:
- ⑦ Blank-DIP
- ⑧ Row No.-Pin No.
- ⑨ 2*XX-Double row
- ⑩ Special NO.
- ⑪ C-The harpoon N-without K the feet
- ⑫ Material:
- ⑬ LP-LCP 94V-0
- ⑭ Planting Category:
- ⑮ V**All Gold-Plated
- ⑯ *01-Gold Flash ; *02-2u" ; *03-3u" ; *05-5u"
- ⑰ *10-10u" ; *15-15u" ; *30-30u" ; *50-50u"
- ⑱ SN-Bright tin plating 70u"
- ⑲ SN1-Bright tin plating 120u"Min.
- ⑳ SW-Fog Tin plating
- ㉑ Color:
- ㉒ Blank-natural color

X3025 W V X-2*XX CN-LP SN XX

- Specifications :
- Voltage rating: 250V AC / DC
 - Current rating: 5A AC / DC
 - Withstanding voltage: 1000V AC/minute
 - Temperature range: -25°C~+85°C
 - Insulation resistance: ≥1000MΩ
 - Contact resistance: ≤10mΩ
 - After environmental testing: ≤20mΩ



For and on behalf of
KXB INDUSTRIAL PRECISION CO., LIMITED
 香港星坤工業精密有限公司

MARK	DESCRIPTION	DATE	REVISED	APPROVED	UNSPECIFIED TOLERANCES
△ X					L > 63
△ X					16 < L ≤ 63
△ X					4 < L ≤ 16
△ X					L ≤ 4
					ANGULAR

REVISIONS	DATE	REVISED	APPROVED	UNSPECIFIED TOLERANCES
				L > 63
				16 < L ≤ 63
				4 < L ≤ 16
				L ≤ 4
				ANGULAR

Part No.	Material	Material(Pin)	Finish(Pin)	Tin-Plated	Part No.
X3025WV-2*XXH-LPSN	LCP UL 94V-0	Brass			X3025H

Part No.	Material	Material(Pin)	Finish(Pin)	Tin-Plated	Part No.
X3025WV-2*XXH-LPSN	LCP UL 94V-0	Brass			X3025H

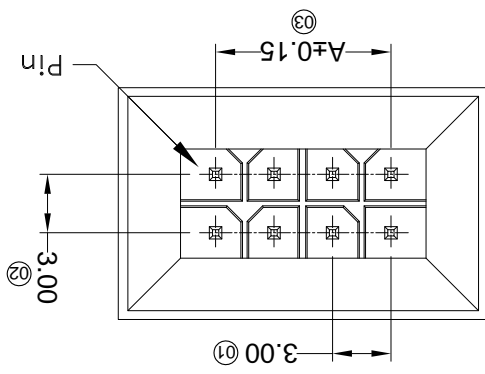
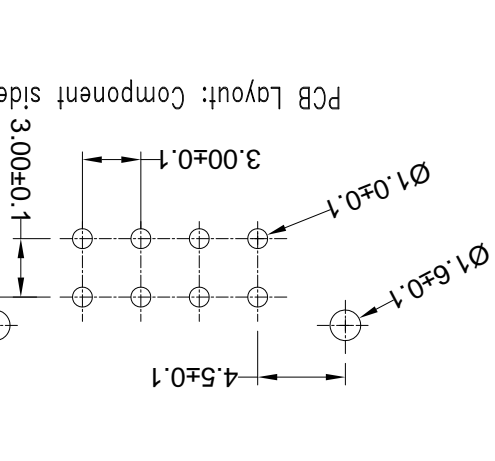
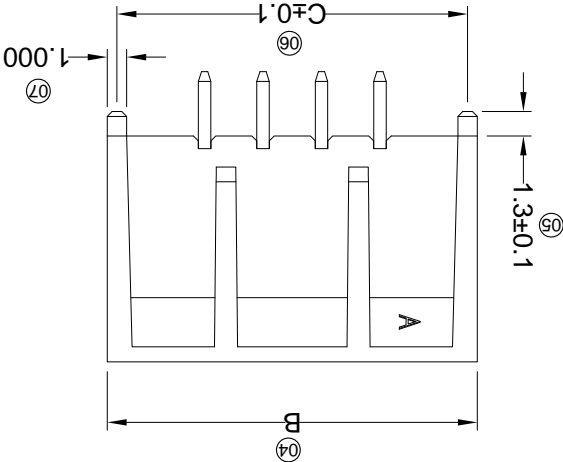
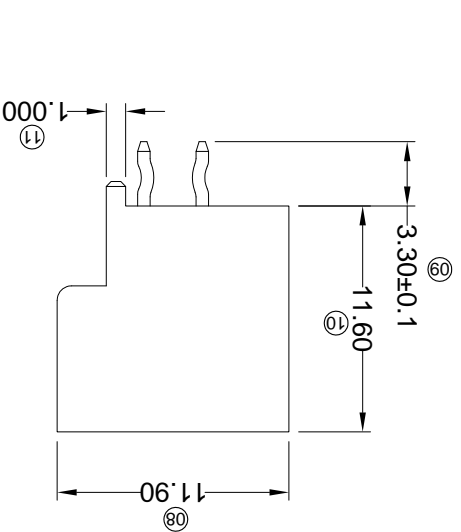
Part No.	Material	Material(Pin)	Finish(Pin)	Tin-Plated	Part No.
X3025WV-2*XXH-LPSN	LCP UL 94V-0	Brass			X3025H

Part No.	Material	Material(Pin)	Finish(Pin)	Tin-Plated	Part No.
X3025WV-2*XXH-LPSN	LCP UL 94V-0	Brass			X3025H

8
7
6
5
4
3
2
1

8
7
6
5
4
3
2
1

8
7
6
5
4
3
2
1



- Specifications :**
- Voltage rating: 250V AC / DC
 - Current rating: 5A AC / DC
 - Withstanding voltage: 1000V AC/minute
 - Temperature range: -25°C~+85°C
 - Insulation resistance: ≥1000MΩ
 - Contact resistance: ≤10mΩ
 - After environmental testing: ≤20mΩ

- ① Series No.
 ② Category:
 W-water
 ③ Welding Board Angle:
 V-180°
 ④ Welding Way:
 Blank-DIP
 ⑤ Row No.-Pin No.
 2*XX-Double row
 ⑥ Special NO.
 H-Arrange ushering with positioning column
 ⑦ Material:
 LP-LCP 94V-0
 ⑧ Plating Category:
 V*:All Gold-Plated
 G*:Gold-Plated Contact
 *04-Gold Flash ; *02-2u" ; *03-3u" ; *05-5u"
 *10-10u" ; *15-15u" ; *30-30u" ; *50-50u"
 SN-Bright tin plating 70u"
 SN1-Bright tin plating 120u"Min. ;
 SW-Fog Tin plating
 ⑨ Color:
 Blank-natural color

8
7
6
5
4
3
2
1

8
7
6
5
4
3
2
1

8
7
6
5
4
3
2
1

REVISIONS
Unauthorized Signatures(s)

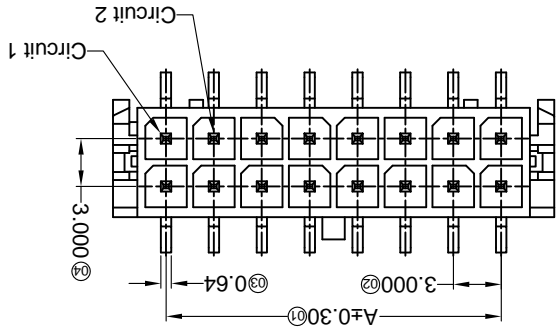
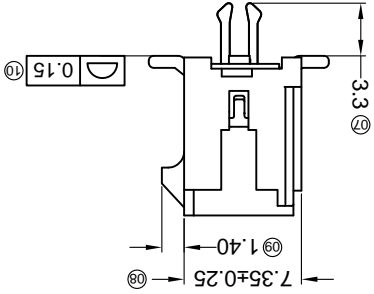
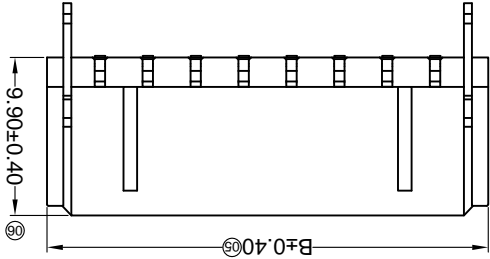
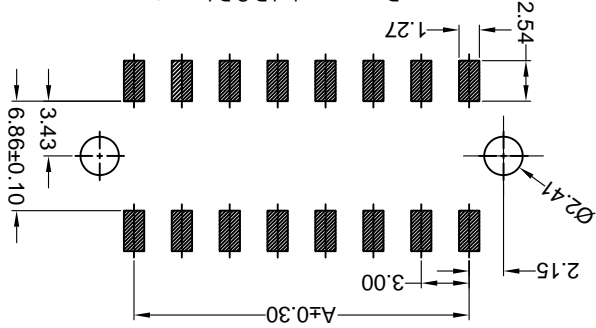
MARK	DESCRIPTION	DATE	REVISED	APPROVED	UNSPECIFIED TOLERANCES
△ X					L > 63 ± 0.5
△ X					16 < L ≤ 63 ± 0.4
△ X					4 < L ≤ 16 ± 0.3
△ X					L ≤ 4 ± 0.2
					ANGULAR ± 5°

For and on behalf of
KXB INDUSTRIAL PRECISION CO., LIMITED
香港星坤工業精密有限公司

KXB INDUSTRIAL PRECISION CO., LIMITED

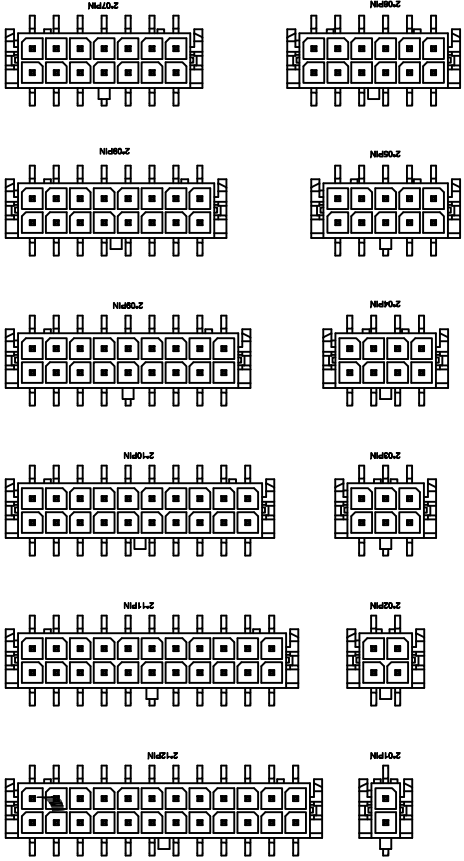
MODEL TYPE:	SCALE:	DATE	DATE	DATE	DATE
X3025WVS-2*XXC-LPXX	N/A				
PART NO.:	VIEW:	DATE	DATE	DATE	DATE
3.00 mm Crimp Style Connectors	VIEW: ①				
DWG NO.:	UNIT:	DATE	DATE	DATE	DATE
	mm				
	SIZE:	DATE	DATE	DATE	DATE
	A4				
WEIGHT	SHEET	REVISION			
1.0g	1/1	A0			

Recommended P.C.B Layout
General Tolerance±0.05



PART NO	Material	Material (Pn)	Finish (Pn)	Material (Pn)	Material (Pn)	Material (Pn)	Material (Pn)	Material (Pn)
X3025WVS-2*XXC-LPXX	LCP UL 94V-0	Brass	Tin-Plated	Brass	Tin-Plated	Brass	Tin-Plated	Brass
X3025WVS-2*XXC-LPXX	LCP UL 94V-0	Brass	Tin-Plated	Brass	Tin-Plated	Brass	Tin-Plated	Brass

Poles	Dimensions(mm)	Dimensions(mm)	Dimensions(mm)	Dimensions(mm)	Dimensions(mm)	Dimensions(mm)	Dimensions(mm)	
2*06	15.00	21.65	2*12	33.00	39.65	2*06	39.65	
2*05	12.00	18.65	2*11	30.00	36.65	2*05	36.65	
2*04	9.00	15.65	2*10	27.00	33.65	2*04	33.65	
2*03	6.00	12.65	2*09	24.00	30.65	2*03	30.65	
2*02	3.00	9.65	2*08	21.00	27.65	2*02	27.65	
2*01	---	6.65	2*07	18.00	24.65	2*01	24.65	
	A	B	A	B		A	B	
	Poles		Poles		Poles		Poles	



- ① Series No.
② Category: W-water
③ Welding Board Angle: V- Straight 180°
④ Welding Way: S-SMT
⑤ Row No-Pin No.: 2*XX-2*01P-2*12P
⑥ Plug the Pin & Special No.: C-The Harpoon
⑦ Material: LP-LCP 94V-0
⑧ Plating Category:
⑨ SN-Bright tin plating : SW-Matte Tin plating
⑩ Color: Blank-Natural color

X3025 W V S-2*XX C-LP XX XX

- Specifications :
- Voltage rating: 250V AC / DC
 - Current rating: 5A AC / DC
 - Withstanding voltage: 1000V AC/minute
 - Temperature range: -25°C~+85°C
 - Insulation resistance: ≥1000MΩ
 - Contact resistance: ≤10mΩ
 - After environmental testing: ≤20mΩ

REVISIONS
Authorized Signatures(s)

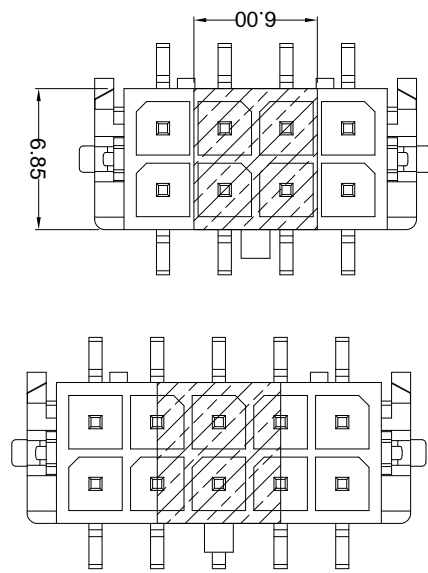
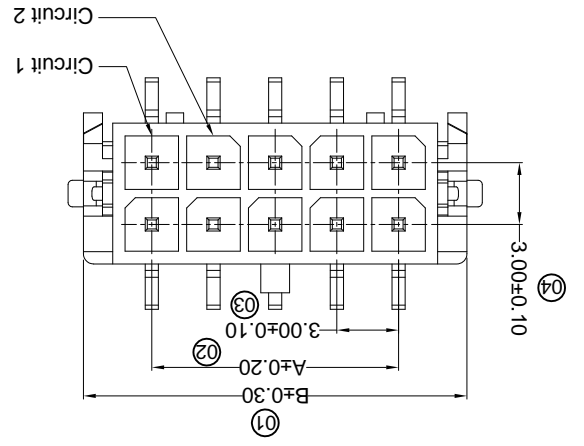
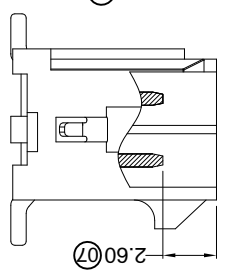
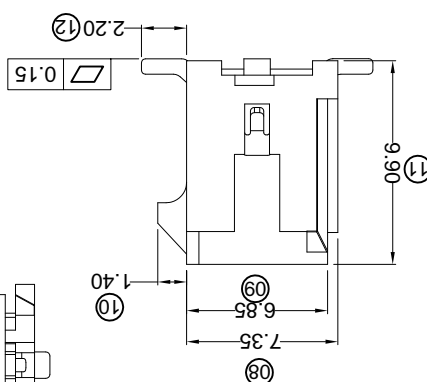
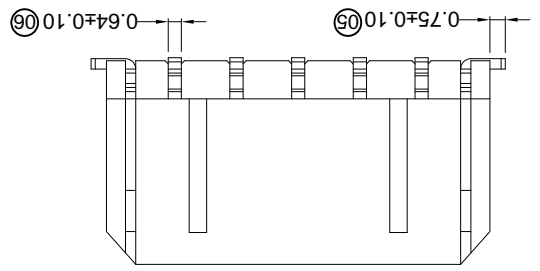
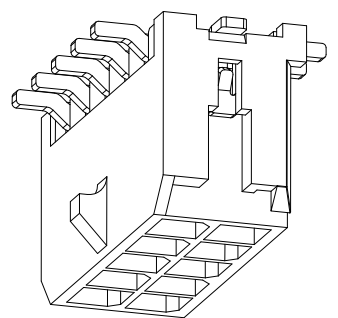
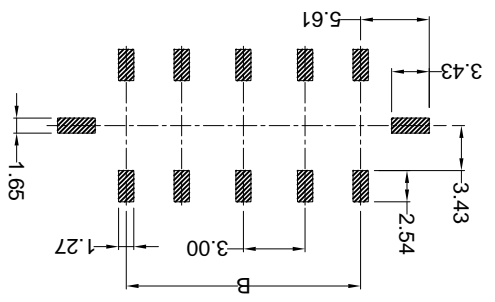
MARK	DESCRIPTION	DATE	REVISED	APPROVED	UNSPECIFIED TOLERANCES
△ X					L > 63
△ X					16 > L ≤ 63
△ X					4 < L ≤ 16
					L ≤ 4
					ANGULAR

For and on behalf of
KXB INDUSTRIAL PRECISION CO., LIMITED
香港星坤工業精密有限公司

KXB INDUSTRIAL PRECISION CO., LIMITED

MODEL TYPE:	SCALE: N/A	DATE		DATE		DATE	
X3025WVS-2*XXD-LPSW							
PART NO.:	VIEW:	DATE		DATE		DATE	
3.00 mm Crimp Style Connectors							
DWG NO.:	UNIT: mm	DATE		DATE		DATE	
WEIGHT	SHEET						
1.0g	1/1						
REVISION							
A0							

P.C.B. LAYOUT



PART NO	Material	Material(Pin)	Finish(Pin)	Material (Solder Tabs)	Finish (Solder Tabs)	Material (Solder Tabs)	Finish (Solder Tabs)	Poles	
								A	B
X3025WVS-2*XXD-LPSW	LCP UL 94V-0	Brass	Matte tin	Brass	Matte tin	Matte tin	Matte tin	A	B
								2*06	2*12
								2*05	2*11
								2*04	2*10
								2*03	2*09
								2*02	2*08
								2*01	2*07
									18.00
									24.65
									30.65
									33.65
									36.65
									39.65

- ① Series No.
- ② Category: W-water
- ③ Weiding Board Angle: V- Stright 180°
- ④ Weiding Way: S-SMT
- ⑤ Row No.-Pin No.: 2*XX-2*01P-2*12P
- ⑥ Plug the Pin & Special No.: D-Solder Tabs
- ⑦ Material: LP-LCP 94V-0
- ⑧ Planting Category:
- ⑨ SN-Bright tin plating ; SW-Matte Tin plating
- ⑩ Color: Blank-Natural color

X3025 W V S-2*XX D-LP XX XX

- Voltage rating: 250V AC / DC
- Current rating: 5A AC / DC
- Withstanding voltage: 1000V AC/minute
- Temperature range: -25°C~+85°C
- Insulation resistance: ≥1000MΩ
- Contact resistance: ≤10mΩ
- After environmental testing: ≤20mΩ

Specifications :

X-ON Electronics

Largest Supplier of Electrical and Electronic Components

Click to view similar products for [Headers & Wire Housings](#) category:

Click to view products by [XKB](#) manufacturer:

Other Similar products are found below :

[95000-104TRLF](#) [10135584-644402LF](#) [DF62W-EP2022PCA](#) [95000-106TRLF](#) [DF62W-2022SCA](#) [DF62W-EP2022PC](#) [2203348](#) [DF62W-2022SC](#) [1084018](#) [1029039](#) [1084017](#) [802-10-012-10-002000](#) [1112640](#) [1112639](#) [891-007-9SS-BST1T](#) [000-34000](#) [0008550134](#) [0009482033](#) [0009507031](#) [57102-F02-18ULF](#) [57102-S06-03LF](#) [57202-S52-04LF](#) [PCN6-15S-2.5E](#) [0039019024](#) [58102-G61-06LF](#) [582553-1](#) [0009485154](#) [0009508121](#) [0022285053](#) [0050291907](#) [018731A](#) [LY20-4P-DT1-P1E-BR](#) [02.125.8002.8](#) [60101931](#) [60598-1 \(Cut Strip\)](#) [M1625-3R/100](#) [61062-3](#) [61082-181009](#) [CSU011177004](#) [636-1427](#) [638009-1](#) [641938-9](#) [641991-4](#) [644168-1](#) [644827-2](#) [647662-1](#) [65039-019ELF](#) [65692-001LF](#) [65781-018](#) [65781-047](#)