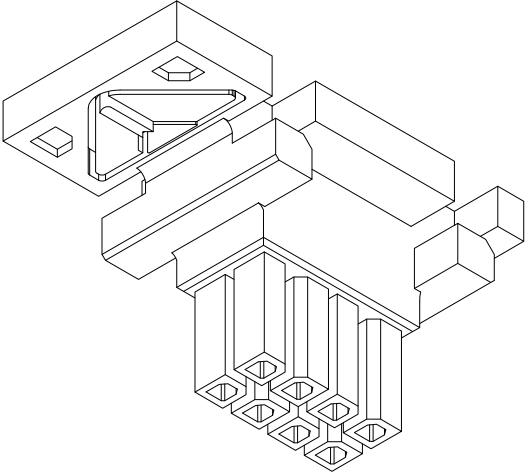
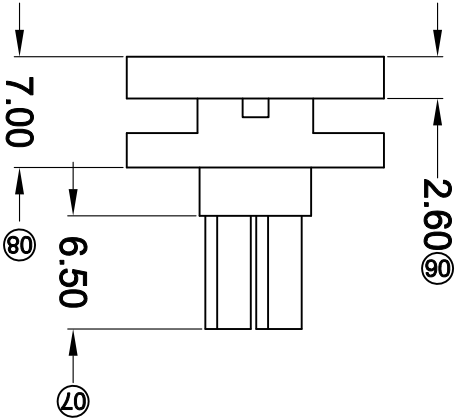
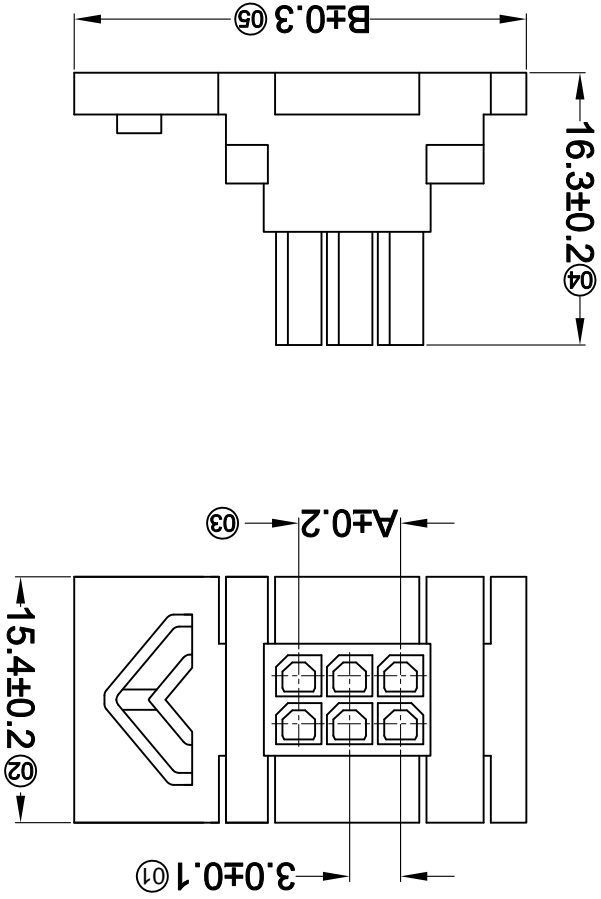


For and on behalf of
KKB INDUSTRIAL PRECISION CO., LIMITED
 香港星坤工業精密有限公司

MARK	DESCRIPTION	DATE	REVISED	APPROVED	UNSPECIFIED TOLERANCES
△ X					L > 63 ±0.5
△ X					16 < L ≤ 63 ±0.4
△ X					4 < L ≤ 16 ±0.3
					L ≤ 4 ±0.2
					ANGULAR ±5°

REVISIONS	DATE	REVISOR	DESCRIPTION

DATE	DATE	DATE	DATE	DATE	DATE
DSND	DWN	CHKD	APPD		
SCALE: N/A	VIEW:	UNIT: mm	SIZE: A4		
MODEL TYPE: X3025HF-2*XXWS-N2	PART NO.:	3.00 mm Crimp Style Connectors			
		DWG NO.:			
		WEIGHT: 1.0g			
		SHEET: 1/1			
		REVISION: A0			



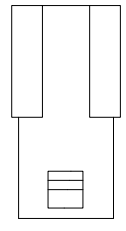
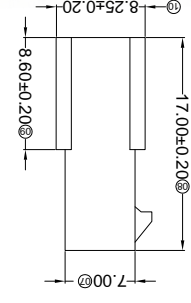
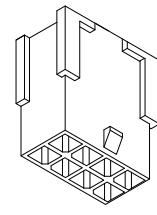
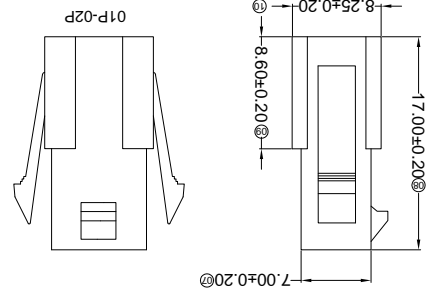
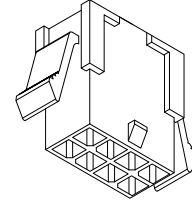
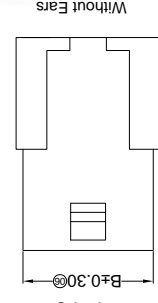
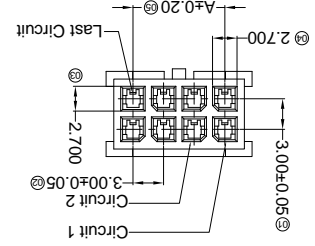
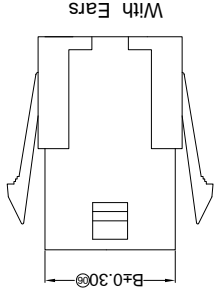
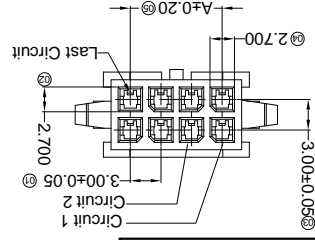
- ① Series No.
- ② Category: H-HSG
- ③ Welding Board Angle: F-Female HSG
- ④ Row No.-Pin No.: 2*XX-2*02P~2*12P
- ⑤ Plug the Pin & special No.: WS-With Base
- ⑥ Material: N2-PA66 94V-2;
- ⑦ Color: Blank-natural color

X3025 H F-2*XX WS-N2 XX

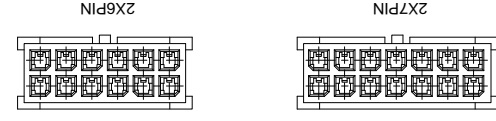
- Specifications :
- Voltage rating: 250V AC / DC
 - Current rating: 5A AC / DC
 - Withstanding voltage: 1500V AC/minute
 - Temperature range: -25°C~+85°C
 - Insulation resistance: ≥1000MΩ
 - Contact resistance: ≤10mΩ
 - After environmental testing: ≤17mΩ

Poles	Dimensions(mm)	
	A	B
2*02	3.00	2*08
2*03	6.00	2*09
2*04	9.00	2*10
2*05	12.00	2*11
2*06	15.00	2*12
2*07	18.00	39.85

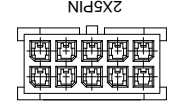
RoHS
Lead-free



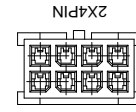
01P-02P



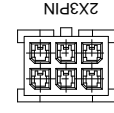
2X7PIN



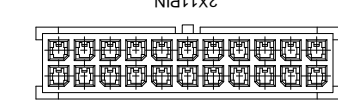
2X5PIN



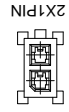
2X4PIN



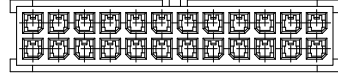
2X3PIN



2X11PIN



2X1PIN



2X12PIN

- Specifications :**
- Voltage rating: 250V AC / DC
 - Current rating: 5A AC / DC
 - Withstanding voltage: 1000V AC/minute
 - Temperature range: -25°C~+85°C
 - Insulation resistance: ≥1000MΩ
 - Contact resistance: ≤10mΩ
 - After environmental testing: ≤20mΩ

X3025 H F-2*XX XX-N2 XX

- Series No.
- Category: H-HSG
- Welding Board Angle: F-Female HSG
- Row No.-Pin No.: 2*XX-2*01P-2*12P
- Plug the Pin & special No.: I-Without Ears
G-With Ears
- Material: N2-PA66 94V-2;
⑦ Color: Blank-Natural Color

Poles	Dimensions(mm)		Poles	Dimensions(mm)	
	A	B		A	B
2*01	18.00	22.00	2*07	4.00	2.00
2*02	3.00	7.00	2*08	21.00	25.00
2*03	6.00	10.00	2*09	24.00	28.00
2*04	9.00	13.00	2*10	27.00	31.00
2*05	12.00	16.00	2*11	30.00	34.00
2*06	15.00	19.00	2*12	33.00	37.00

PART NO	Material	Suitable SWB Terminal	Mates With XKB Housing	Note
X3025HF-2*XXG-N2	Nylon 66 94V-2	X3025TM	X3025HM	With Ears
X3025HF-2*XXI-N2	Nylon 66 94V-2	X3025TM	X3025HM	Without Ears

For and on behalf of
XKB INDUSTRIAL PRECISION CO., LIMITED
香港星坤工業精密有限公司

REVISIONS
(Unauthorized Signature(s))

MARK	DESCRIPTION	DATE	REVISED	APPROVED	UNSPECIFIED TOLERANCES
△ X					L > 63 ±0.5
△ X					16 < L ≤ 63 ±0.4
△ X					4 < L ≤ 16 ±0.3
△ X					L ≤ 4 ±0.2
					ANGULAR ±5°

DSND	DATE	SCALE: N/A	MODEL TYPE: X3025HF-2*XXX-N2
DWN	DATE	VIEW:	PART NO.:
CHKD	DATE	UNIT: mm	3.00 mm Crimp Style Connectors
APPD	DATE	SIZE: A4	DWG NO.:
	DATE	WEIGHT	REVISION
	DATE	SHEET	1/1
	DATE	1.0g	A0

XKB INDUSTRIAL PRECISION CO., LIMITED

REVISIONS (Authorized Signatures)

MARK	DESCRIPTION	DATE	REVISED	APPROVED	UNSPECIFIED TOLERANCES
△ X					L > 63 ± 0.5
△ X					16 > L ≤ 63 ± 0.4
△ X					4 < L ≤ 16 ± 0.3
△ X					L ≤ 4 ± 0.2
					ANGULAR ± 5°

For and on behalf of
XKB INDUSTRIAL PRECISION CO., LIMITED
 香港星坤工業精密有限公司

XKB INDUSTRIAL PRECISION CO., LIMITED

DATE	SCALE: N/A	MODEL TYPE: X3025HM-2*XXWS-N2	VIEW:	DATE	DATE	DATE	SIZE: A4
D	A	B	C	D	2*02	3.00	24.60
2*03	6.00	27.70	16.46	25.10	2*04	9.00	30.70
2*05	12.00	33.80	22.46	31.10	2*06	15.00	36.80
2*07	18.00	39.90	28.46	37.10	2*08	21.00	42.90
2*09	24.00	46.00	34.46	43.10	2*10	27.00	49.00
2*11	30.00	51.80	40.46	49.10	2*12	33.00	54.90
WEIGHT: 1.0g							
SHEET: 1/1							
REVISION: A0							

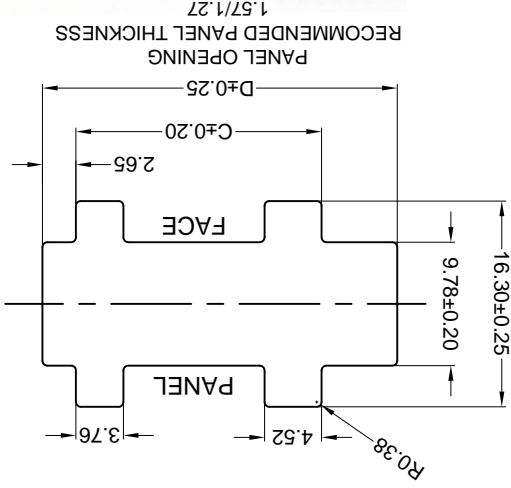
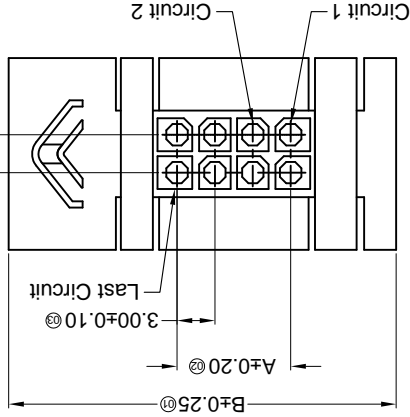
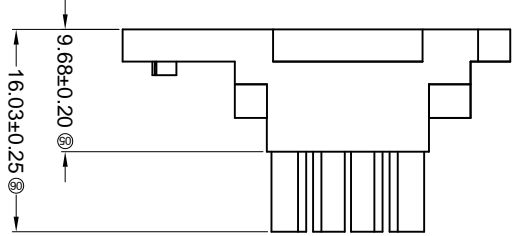
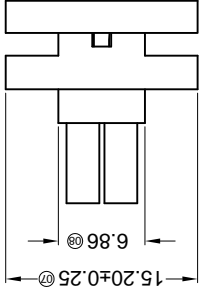
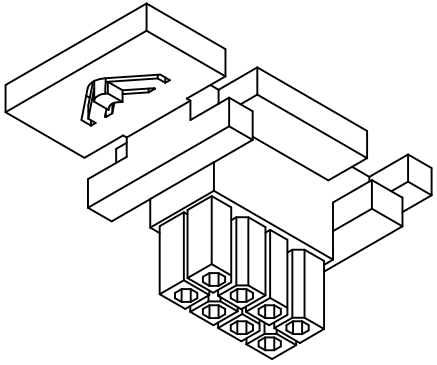
PART NO	Material	Suitable SWB Terminal	Mates With XKB Wafer
X3025HM-2*XXWS-N2	Nylon 66 94V-2	X3025TF	X3025W

Poles	Dimensions(mm)													
	A	B	C	D	2*02	3.00	24.60	13.46	22.10	2*03	6.00	27.70	16.46	25.10
2*04	9.00	30.70	19.46	28.10	2*05	12.00	33.80	22.46	31.10	2*06	15.00	36.80	25.46	34.10
2*07	18.00	39.90	28.46	37.10	2*08	21.00	42.90	31.46	40.10	2*09	24.00	46.00	34.46	43.10
2*10	27.00	49.00	37.46	46.10	2*11	30.00	51.80	40.46	49.10	2*12	33.00	54.90	43.46	52.10

- ① Series No.
- ② Category: H-HSG
- ③ Welding Board Angle: M-Male HSG
- ④ Row No.-Pin No.: 2*XX-2*02P~2*10P
- ⑤ Plug the Pin & special No.: WS-With Base
- ⑥ Material: N2-PA66 94V-2;
- ⑦ Color: Blank-natural color Black

X3025 H M-2*XX WS-N2 XX

- Specifications:
- Voltage rating: 250V AC / DC
- Current rating: 5A AC / DC
- Withstanding voltage: 1500V AC/minute
- Temperature range: -25°C~+85°C
- Insulation resistance: ≥1000MΩ
- Contact resistance: ≤10mΩ
- After environmental testing: ≤20mΩ



Authorized Signatures

For and on behalf of
KXB INDUSTRIAL PRECISION CO., LIMITED
 香港星坤工業精密有限公司

MARK	DESCRIPTION	DATE	REVISIONS	APPROVED	REVISOR	DATE
△ X						
△ X						
△ X						

UNSPECIFIED TOLERANCES	APPROVED	REVISOR	DATE	APPD	CHKD	DWN	DSND
L > 63							
16 < L ≤ 63							
4 < L ≤ 16							
L ≤ 4							
ANGULAR							

DATE	SCALE: N/A	MODEL TYPE: X3025HM-2*XX-N2	VIEW:	DATE	DATE	DATE

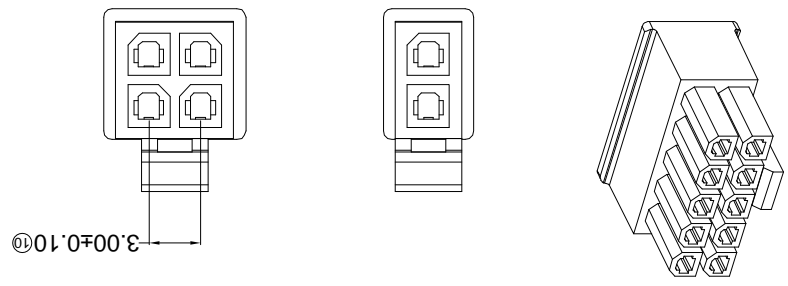
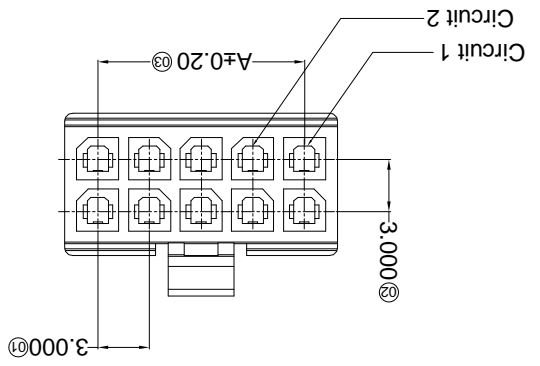
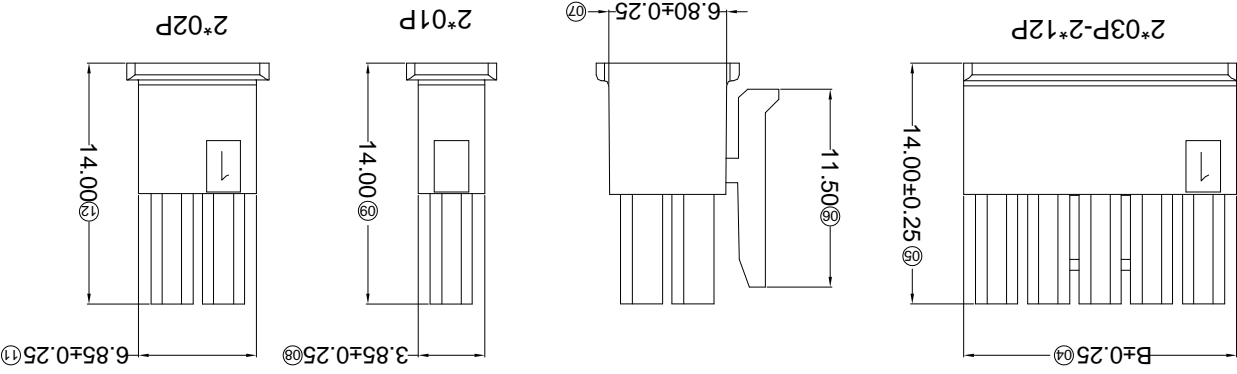
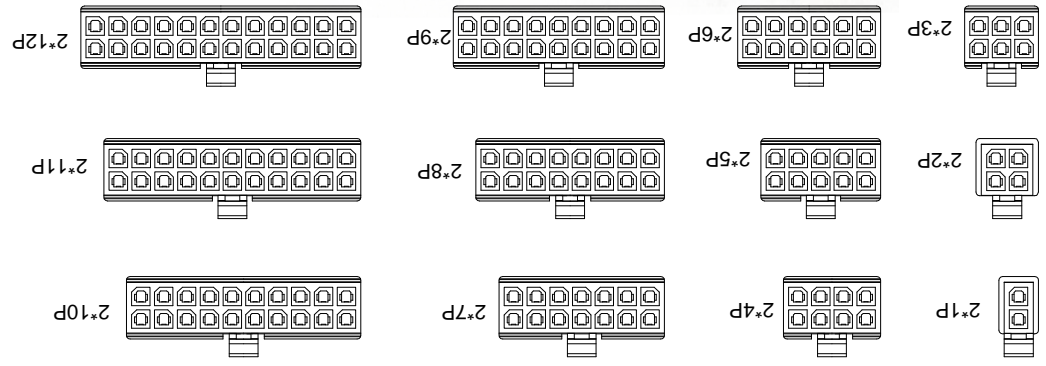
SIZE: A4	UNIT: mm	DATE	DATE	DATE

WEIGHT	SHEET	REVISION
1.0g	1/1	A0

MODEL TYPE: X3025HM-2*XX-N2
 PART NO.:
 3.00 mm Crimp Style Connectors
 DWG NO.:

PART NO	Material	Suitable SWB Terminal	Mates With XKB Water
X3025HM-2*XX-N2	Nylon 66 94V-2	X3025TF	X3025W

Poles	Dimensions(mm)		Poles	Dimensions(mm)	
	A	B		A	B
2*01	2*07	18.00	2*01	21.85	24.85
2*02	3.00	24.00	2*02	27.85	30.85
2*03	6.00	27.00	2*03	30.85	33.85
2*04	9.00	30.00	2*04	33.85	36.85
2*05	12.00	33.00	2*05	36.85	
2*06	15.00	36.00	2*06		



- ① Series No. X3025 H M-2*XX XX-N2 XX
 ② Category: H-HSG
 ③ Welding Board Angle: M-Male HSG
 ④ Row No.-Pin No.: 2*XX-2*01P~2*12P
 ⑤ Plug the Pin & special No.:
 ⑥ Material: N2-PA66 94V-2;
 ⑦ Color: Blank-Natural Color

- Specifications:
 • Voltage rating: 250V AC / DC
 • Current rating: 5A AC / DC
 • Withstanding voltage: 1000V AC/minute
 • Temperature range: -25°C~+85°C
 • Insulation resistance: ≥1000MΩ
 • Contact resistance: ≤10mΩ
 • After environmental testing: ≤20mΩ

REVISIONS
Authorized Signatures(s)

MARK	DESCRIPTION	DATE	REVISED	APPROVED	UNSPECIFIED TOLERANCES
△ X					L > 63 ± 0.5
△ X					16 < L ≤ 63 ± 0.4
△ X					4 < L ≤ 16 ± 0.3
△ X					L ≤ 4 ± 0.2
					ANGULAR ± 5°

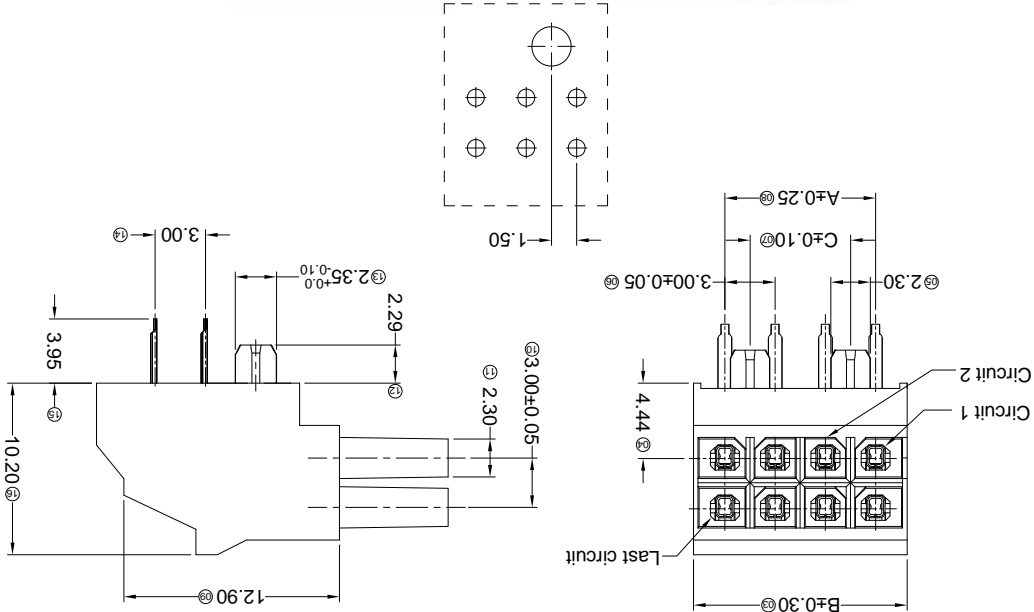
For and on behalf of
KKB INDUSTRIAL PRECISION CO., LIMITED
香港星坤工業精密有限公司

KKB INDUSTRIAL PRECISION CO., LIMITED

WEIGHT	1.0g
SHEET	1/1
REVISION	A0
SIZE:	A4
UNIT:	mm
VIEW:	
SCALE:	N/A
MODEL TYPE:	X3025HR-2*XX-LPSN
PART NO.:	
DWG NO.:	3.00 mm Crimp Style Connectors

Part No.	Material	Material(Pin)	Finish(Pin)	Mates With
X3025HR-2*XX-LPSN	LCP UL 94V-0	Brass	Tin-Plated	X3025HW or 3025H Mates With XKB Housing

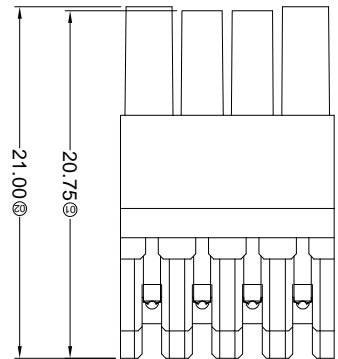
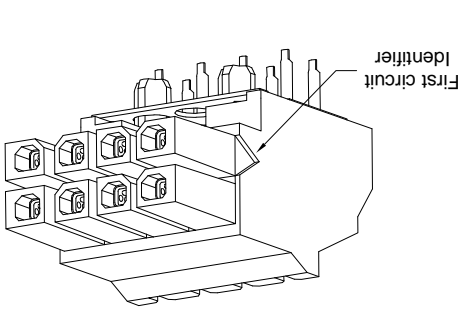
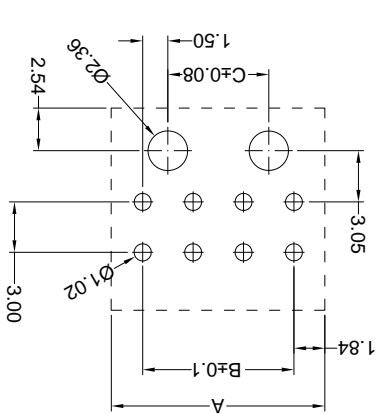
Poles	Dimensions(mm)		
	A	B	C
2'02	3.00	6.70	2'08
2'03	6.00	9.70	2'09
2'04	9.00	12.70	2'10
2'05	12.00	15.70	2'11
2'06	15.00	18.70	2'12
2'07	18.00	21.70	15.00



- ① Series No.
- ② Category: H-HSG
- ③ Welding Board Angle: BOARD-IN-R-90°
- ④ Row No.-Pin No.: 2*XX-2*02P~2*12P
- ⑤ Plug the Pin & special No.:
- ⑥ Material: LP-LCP 94V-0;
- ⑦ Plating Category: SN-Bright tin plating
- ⑧ Color: Blank-Natural Color

X3025 H R-2*XX LP SN XX
① ② ③ ④ ⑤ ⑥ ⑦ ⑧

- Specifications :
- Voltage rating: 250V AC / DC
- Current rating: 5A AC / DC
- Withstanding voltage: 1000V AC/minute
- Temperature range: -25°C~+85°C
- Insulation resistance: ≥1000MΩ
- Contact resistance: ≤10mΩ
- After environmental testing: ≤20mΩ



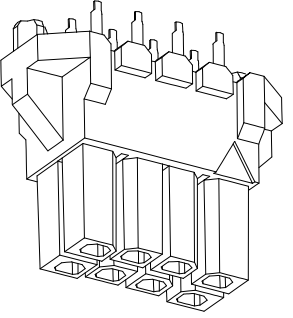
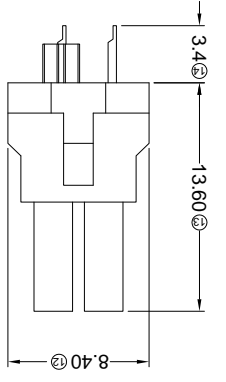
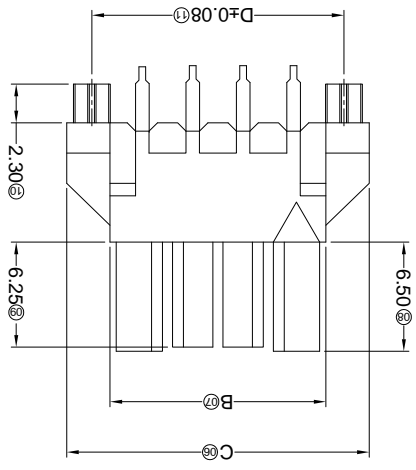
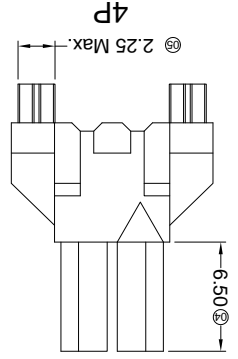
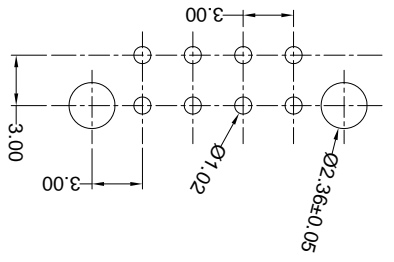
For and on behalf of
KXB INDUSTRIAL PRECISION CO., LIMITED
 香港星坤工業精密有限公司

MARK	DESCRIPTION	DATE	REVISIONS	UNSPECIFIED TOLERANCES
△ X				L > 63 ±0.5
△ X				16 < L ≤ 63 ±0.4
△ X				4 < L ≤ 16 ±0.3
△ X				L ≤ 4 ±0.2
				ANGULAR ±5°

REVISIONS	DATE	DESCRIPTION	UNSPECIFIED TOLERANCES
APPROVED			L > 63 ±0.5
REVISED			16 < L ≤ 63 ±0.4
APPROVED			4 < L ≤ 16 ±0.3
REVISED			L ≤ 4 ±0.2
APPROVED			ANGULAR ±5°

DSND	DATE	SCALE: N/A	MODEL TYPE: X3025HV-2*XX-LPSN
DWN	DATE	VIEW:	PART NO.: 3.00 mm Crimp Style Connectors
CHKD	DATE	UNIT: mm	DWG NO.:
APPD	DATE	SIZE: A4	WEIGHT: 1.0g
			SHEET: 1/1
			REVISION: A0

Recommended P.C.B Layout



Part No.	Material	Material(Pin)	Finish(Pin)	Mates With
X3025HV-2*XX-LPSN	LCP UL 94V-0	Brass	Tin-Plated	X3025HW or 3025H

Poles	Dimensions(mm)			
	A	B	C	D
2*02	3.00	6.85	12.00	9.00
2*03	6.00	9.85	15.00	12.00
2*04	9.00	12.85	18.00	15.00
2*05	12.00	15.85	21.00	18.00
2*06	15.00	18.85	24.00	21.00
2*07	18.00	21.85	27.00	24.00
2*08	21.00	24.85	30.00	27.00
2*09	24.00	27.85	33.00	30.00
2*10	27.00	30.85	36.00	33.00
2*11	30.00	33.85	39.00	36.00
2*12	33.00	36.85	42.00	39.00

- ① Series No.
- ② Category: H-HSG
- ③ Welding Board Angle: BOARD-IN: V-180°
- ④ Row No.-Pin No.: 2*XX-2*02P~2*12P
- ⑤ Plug the Pin & special No.:
- ⑥ Material: LP-LCP 94V-0;
- ⑦ Plating Category: SN-Bright tin plating
- ⑧ Color: Blank-Natural Color

X3025 H V-2*XX LP SN XX

- Specifications:
- Voltage rating: 250V AC / DC
 - Current rating: 5A AC / DC
 - Withstanding voltage: 1000V AC/minute
 - Temperature range: -25°C~+85°C
 - Insulation resistance: ≥1000MΩ
 - Contact resistance: ≤10mΩ
 - After environmental testing: ≤20mΩ

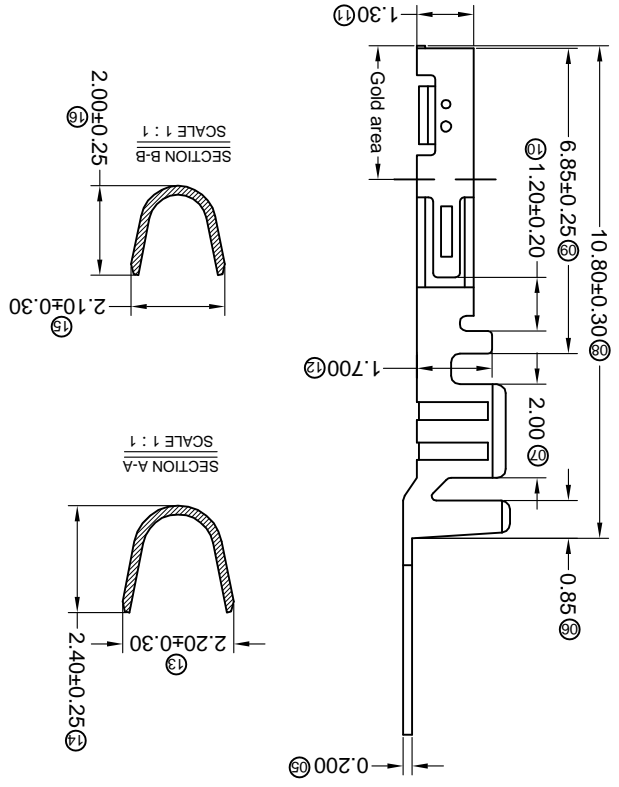
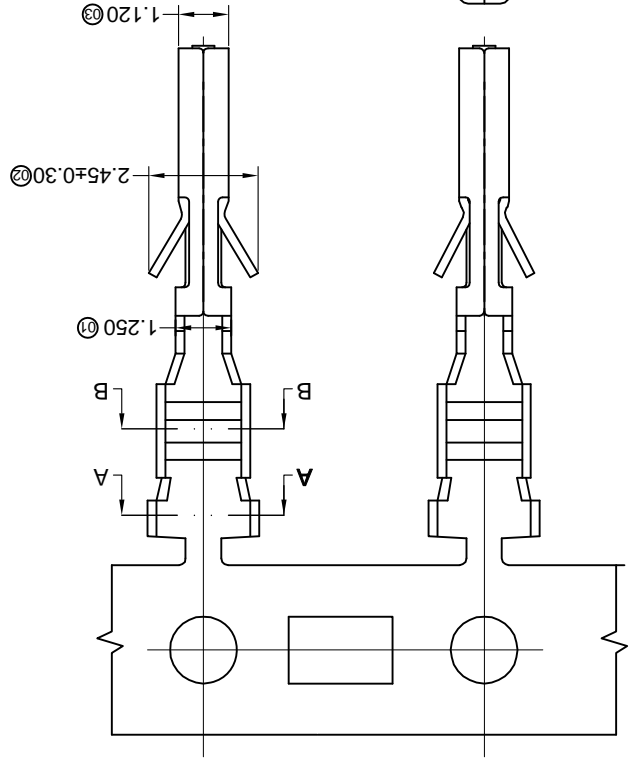
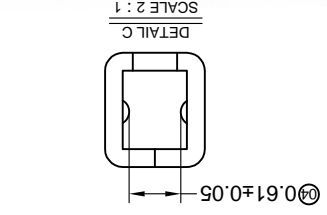
For and on behalf of
XKB INDUSTRIAL PRECISION CO., LIMITED
 香港星坤工業精密有限公司

REVISIONS
 (Unauthorized Signatures)

MARK	DESCRIPTION	DATE	REVISED	APPROVED	UNSPECIFIED TOLERANCES
△ X					L > 63 ± 0.5
△ X					16 > L ≤ 63 ± 0.4
△ X					4 < L ≤ 16 ± 0.3
△ X					L ≤ 4 ± 0.2
					ANGULAR ± 5°

DSND	DATE	SCALE: N/A	MODEL TYPE: X3025TF-PXXX
DWN	DATE	VIEW:	PART NO.:
CHKD	DATE	UNIT: mm	DWG NO.:
APPD	DATE	SIZE: A4	REVISION
			WEIGHT 1.0g
			SHEET 1/1
			REVISION A0

PART NO	Material	Wire Range	Insulation O.D.	Finish	Used in XKB Housing
X3025TF-PG30	Phosphor Bronze	AWG#20-24	1.85mm(Max)	Stamping Before Plating:30~50u" Ni;Contact Area Gold:30u" Min.	X3025HM
X3025TF-PG15				Stamping Before Plating:30~50u" Ni;Contact Area Gold:15u" Min.	
X3025TF-PG01				Stamping Before Plating:30~50u" Ni;Contact Area Gold Flash	
X3025TF-PSN				Stamping Before Plating:30~50u" Ni;70~120u" Sn	



■ Specifications :

- Voltage rating: 250V AC / DC
- Current rating: 5A AC / DC
- Withstanding voltage: 1000V AC/minute
- Temperature range: -40°C~+85°C
- Insulation resistance: ≥1000MΩ
- Contact resistance: ≤10mΩ
- After environmental testing: ≤20mΩ

X3025 T F-P XX X-X
 ①① Series Number
 ①② Category: T-terminal
 ①③ Shape: F-Female Terminal
 ①④ Material: P-Phosphor bronze
 ①⑤ Plating style:
 ①⑥ G-Gold-Plated Contact
 *01-Gold Flash *15-15u" *30-30u"
 SN-Bright tin plating 70-120u"
 ①⑦ Plating method:
 Blank-Stamping before plating
 ①⑧ Mold No./Mark/Special No.

- ①⑨
- ①⑩
- ①⑪
- ①⑫
- ①⑬
- ①⑭
- ①⑮
- ①⑯
- ①⑰
- ①⑱
- ①⑲
- ①⑳
- ①㉑
- ①㉒
- ①㉓
- ①㉔
- ①㉕
- ①㉖
- ①㉗
- ①㉘
- ①㉙
- ①㉚
- ①㉛
- ①㉜
- ①㉝
- ①㉞
- ①㉟
- ①㊱
- ①㊲
- ①㊳
- ①㊴
- ①㊵
- ①㊶
- ①㊷
- ①㊸
- ①㊹
- ①㊺
- ①㊻
- ①㊼
- ①㊽
- ①㊾
- ①㊿

REVISIONS
Authorized Signature(s)

For and on behalf of
XKB INDUSTRIAL PRECISION CO., LIMITED
香港星坤工業精密有限公司

MARK	DESCRIPTION	DATE	REVISED	APPROVED	UNSPECIFIED TOLERANCES
△ X					L > 63
△ X					16 > L ≤ 63
△ X					4 < L ≤ 16
					L ≤ 4
					ANGULAR
					± 5°

REVISION	SHEET	WEIGHT	DATE	DATE	DATE	DATE	DATE
A0	1/1	1.0g					

XKB INDUSTRIAL PRECISION CO., LIMITED

DSND	SCALE: N/A	DATE

DWN	VIEW:	DATE

CHKD	UNIT: mm	DATE

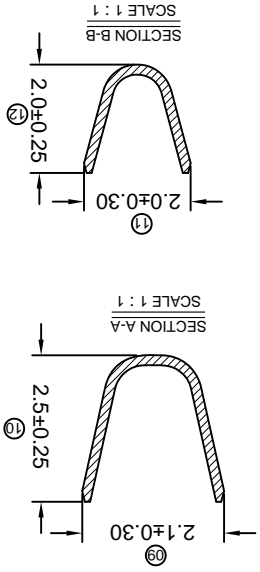
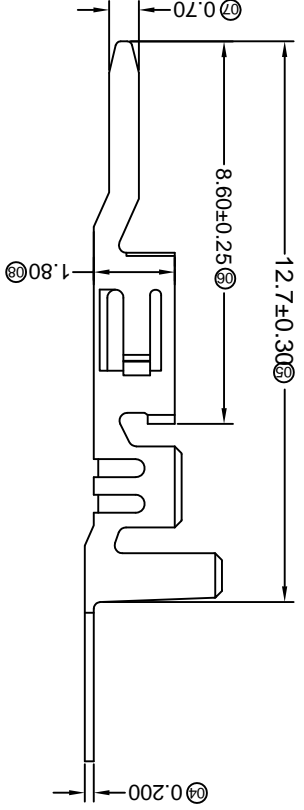
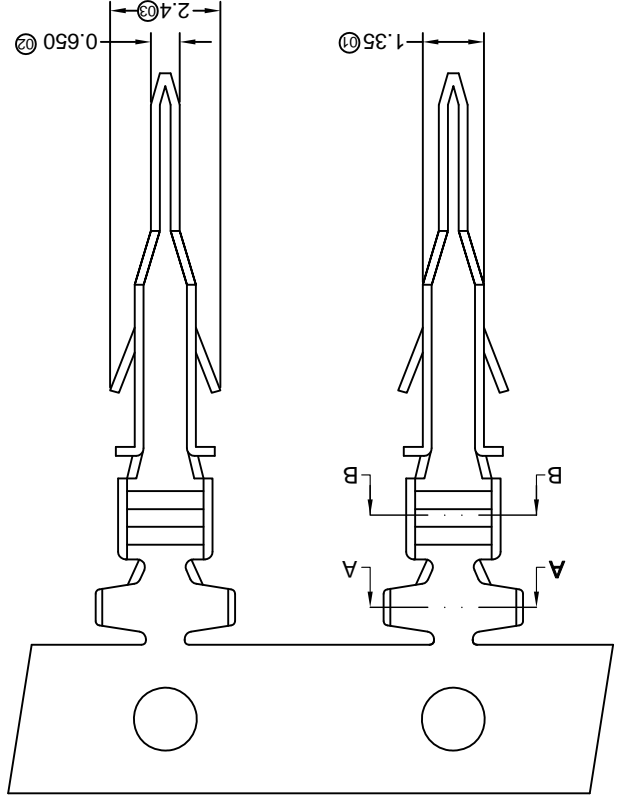
APPD	SIZE: A4	DATE

PART NO.:
3.00 mm Crimp Style Connectors

MODEL TYPE: X3025TM-PXX

PART NO	Material	Wire Range	Insulation O.D.	Finish
X3025TM-PSN	Phosphor Bronze	AWG#20-24	1.85mm(Max)	Stamping Before Plating:30u" Ni;70u" Sn
X3025TM-PG01				Stamping Before Plating:30u" Ni>Contact Area Gold Flash
X3025TM-PG15				Stamping Before Plating:30u" Ni>Contact Area Gold:15u" Min.
X3025TM-PG30				Stamping Before Plating:30u" Ni>Contact Area Gold:30u" Min.

Used in XKB Housing



- Specifications :**
- Voltage rating: 250V AC / DC
 - Current rating: 5A AC / DC
 - Withstanding voltage: 1000V AC/minute
 - Temperature range: -25°C~+85°C
 - Insulation resistance: ≥1000MΩ
 - Contact resistance: ≤10mΩ
 - After environmental testing: ≤20mΩ
- X3025 T-M-P XX X-X
- ① Series Number
② Category: T-terminal
③ Shape: M-Male Terminal
④ Material: P-Phosphor bronze
⑤ Plating style: G-Gold-Plated Contact
⑥ Plating method: SN-Bright tin plating 70u"
⑦ *01-Gold Flash *15-15u" *30-30u"
⑧ Mold No./Mark/Special No.

For and on behalf of
KKB INDUSTRIAL PRECISION CO., LIMITED
 香港星坤工業精密有限公司

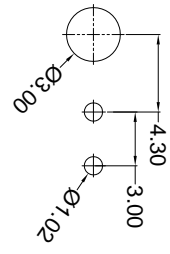
REVISIONS
 Authorized Signatures(s)

MARK	DESCRIPTION	DATE	REVISED	APPROVED	UNSPECIFIED TOLERANCES
△ X					L > 63 ± 0.5
△ X					16 > L ≤ 63 ± 0.4
△ X					4 < L ≤ 16 ± 0.3
					L ≤ 4 ± 0.2
					ANGULAR ± 5°

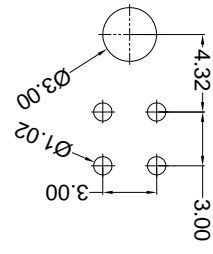
DATE	SCALE: N/A	MODEL TYPE: X3025WR-2*XX-N0XXX	VIEW:	DATE	DATE	DATE	SIZE: A4	WEIGHT: 1.0g	SHEET: 1/1	REVISION: A0
DNSD										
DWN										
CHKD										
APPD										

Part No.	Material	Material(Pin)	Finish(Pin)	Mates With KKB Housing
X3025WR-2*XX-N0G01	Nylon 66 UL 94V-0	Brass	Tin-Plated	X3025H
X3025WR-2*XX-N0SN	Nylon 66 UL 94V-0	Brass	Contact Gold	

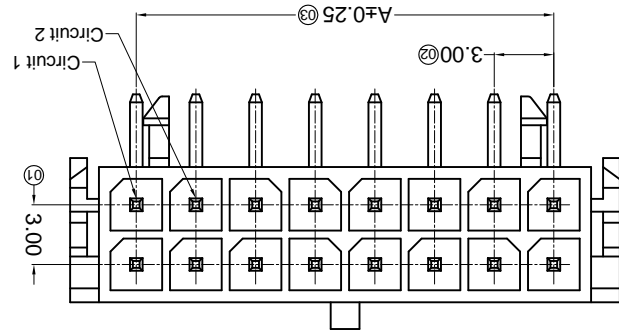
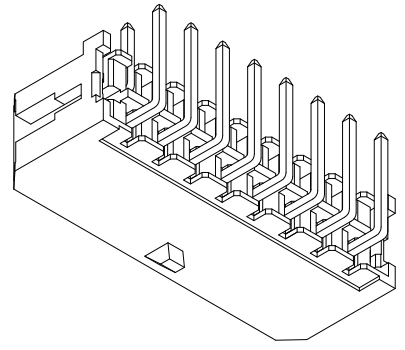
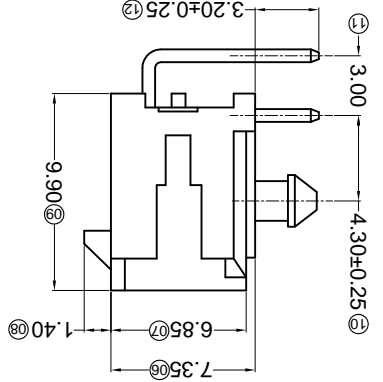
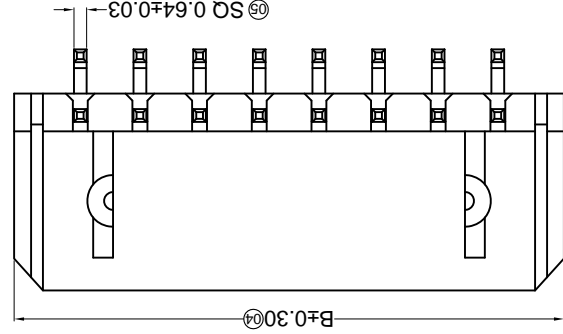
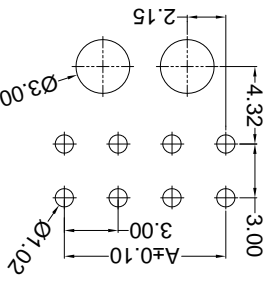
2P P.C.B LAYOUT



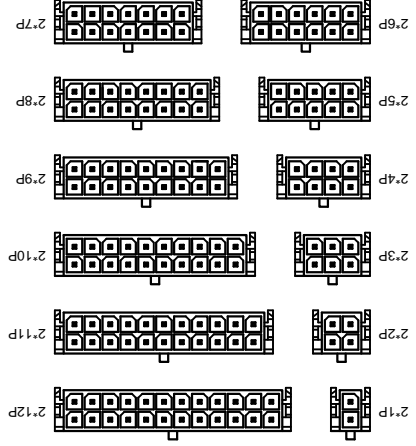
4P-6P P.C.B LAYOUT



8P-24P P.C.B LAYOUT



Scale 1:3



Dimensions (mm)	A	B
2*01	---	6.65
2*02	3.00	9.65
2*03	6.00	12.65
2*04	9.00	15.65
2*05	12.00	18.65
2*06	15.00	21.65
2*07	18.00	24.65
2*08	21.00	27.65
2*09	24.00	30.65
2*10	27.00	33.65
2*11	30.00	36.65
2*12	33.00	39.65

- ① Series No.
 - ② Category: W-water
 - ③ Welding Board Angle: R-90°
 - ④ Welding Way: Blank-DIP
 - ⑤ Row No.-Pin No.: 2*XX-2*01P-2*12P
 - ⑥ Special NO.:
 - ⑦ Material: N0-PA66 94V-0
 - ⑧ Plating Category: G01-Contact Gold Flash; SN-Bright tin plating
 - ⑨ Color: Blank-natural color
- X3025 W R X-2*XX X-N0 XX XX
 ① ② ③ ④ ⑤ ⑥ ⑦ ⑧ ⑨

- Specifications:
- Voltage rating: 250V AC / DC
 - Current rating: 5A AC / DC
 - Withstanding voltage: 1000V AC/minute
 - Temperature range: -25°C~+85°C
 - Insulation resistance: ≥1000MΩ
 - Contact resistance: ≤10mΩ
 - After environmental testing: ≤20mΩ

For and on behalf of
XKB INDUSTRIAL PRECISION CO., LIMITED
 香港星坤工業精密有限公司

REVISIONS
 Authorized Signature(s)

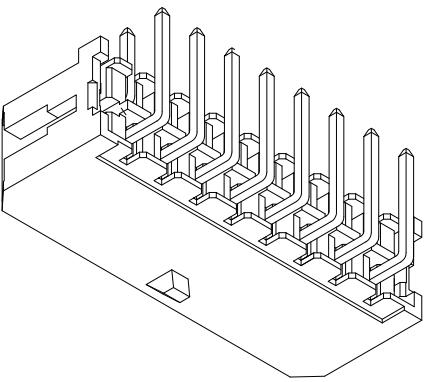
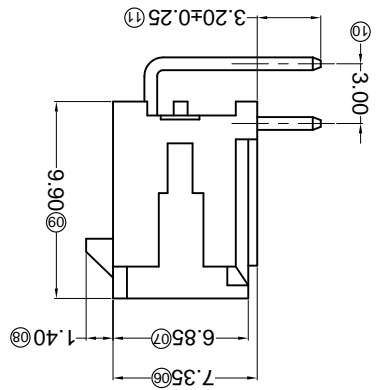
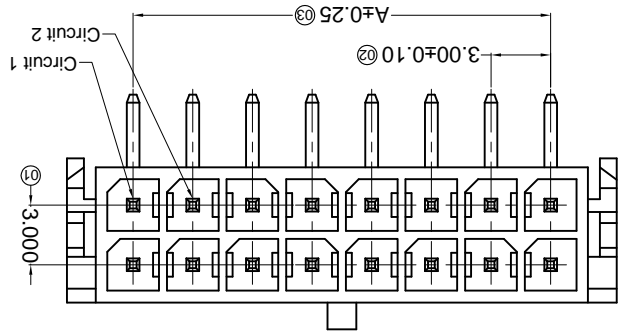
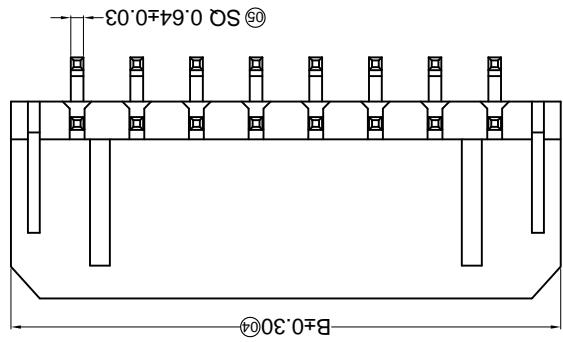
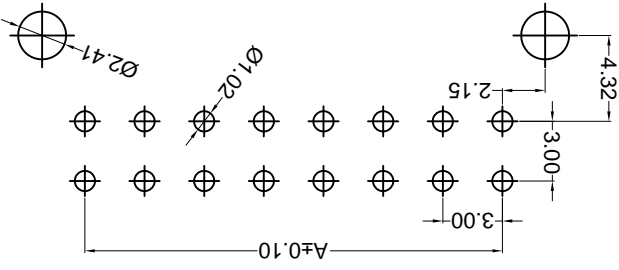
MARK	DESCRIPTION	DATE	REVISED	APPROVED	UNSPECIFIED TOLERANCES
△ X					L > 63 ±0.5
△ X					16 < L ≤ 63 ±0.4
△ X					4 < L ≤ 16 ±0.3
					L ≤ 4 ±0.2
					ANGULAR ±5°

MODEL TYPE	SCALE	DATE	DATE	DATE	DATE	SIZE
X3025WR-2*XXB-XXSN	N/A					A4
PART NO.:	VIEW:	DATE	DATE	DATE	DATE	UNIT: mm
300 mm Crimp Style Connectors						
DWG NO.:						
WEIGHT	SHEET					
1.0g	1/1					
REVISION						
A0						

Poles	Dimensions (mm)		Poles		Dimensions (mm)	
	A	B	A	B	A	B
2*01	---	6.65	2*07	18.00	24.65	24.65
2*02	3.00	9.65	2*08	21.00	27.65	27.65
2*03	6.00	12.65	2*09	24.00	30.65	30.65
2*04	9.00	15.65	2*10	27.00	33.65	33.65
2*05	12.00	18.65	2*11	30.00	36.65	36.65
2*06	15.00	21.65	2*12	33.00	39.65	39.65

Part No.	Material	Material(Pin)	Finish(Pin)	Mates With XKB Housing
X3025WR-2*XXB-L-PSN	LCP UL 94V-0	Brass	Tin-Plated	X3025H
X3025WR-2*XXB-46SN	Nylon 46 UL 94V-0			
X3025WR-2*XXB-N0SN	Nylon 66 UL 94V-0			

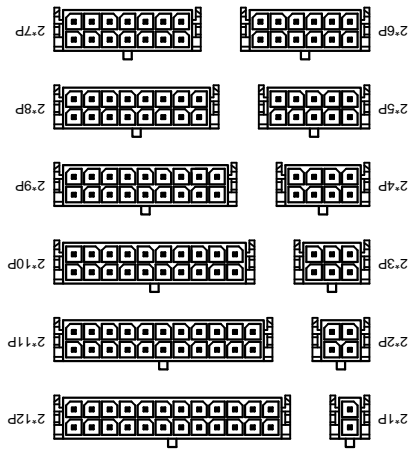
Recommended P.C.B Layout
 General Tolerance±0.05



X3025 W R X-2*XX B-XX XX XX
 ① Series No.
 ② Category: W-water
 ③ Welding Board Angle: R-90°
 ④ Welding Way: Blank-DIP
 ⑤ Row No.-Pin No.: 2*XX-2*01P-2*12P
 ⑥ Special NO.: B-Without positioning column
 ⑦ Material: 46-PA46 94V-0 N0-PA66 94V-0 LP-LCP 94V-0
 ⑧ Plating Category: SN-Bright tin plating
 ⑨ Color: Blank-natural color

- Specifications :
- Voltage rating: 250V AC / DC
 - Current rating: 5A AC / DC
 - Withstanding voltage: 1000V AC/minute
 - Temperature range: -25°C~+85°C
 - Insulation resistance: ≥1000MΩ
 - Contact resistance: ≤10mΩ
 - After environmental testing: ≤20mΩ

Scale 1:3



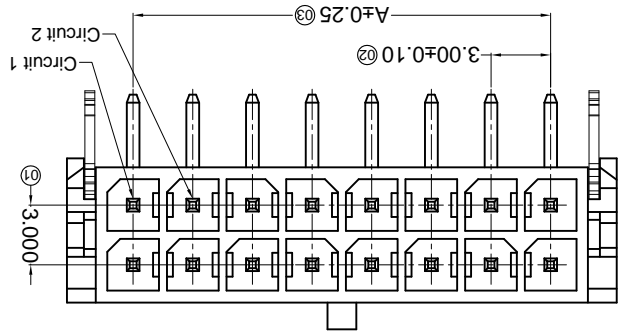
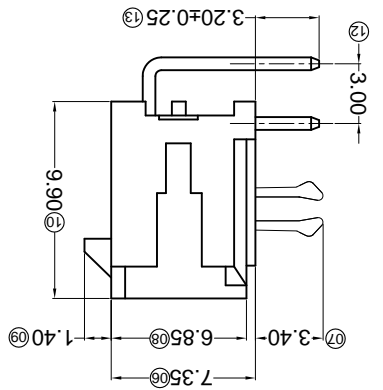
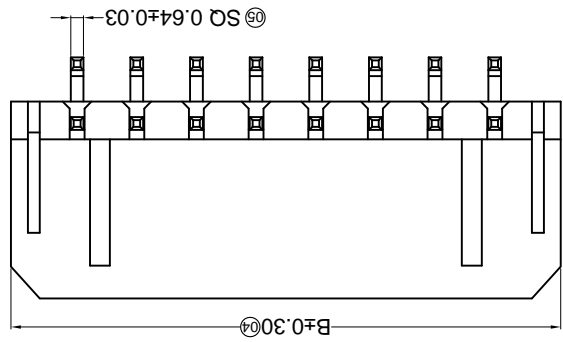
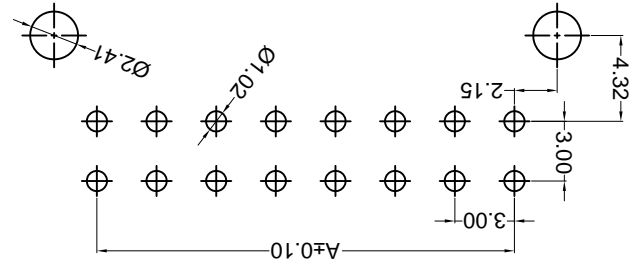
For and on behalf of
XKB INDUSTRIAL PRECISION CO., LIMITED
 香港星坤工業精密有限公司

REVISIONS
 Authorized Signature(s)

MARK	DESCRIPTION	DATE	REVISED	APPROVED	UNSPECIFIED TOLERANCES
△ X					L > 63 ± 0.5
△ X					16 < L ≤ 63 ± 0.4
△ X					4 < L ≤ 16 ± 0.3
△ X					L ≤ 4 ± 0.2
					ANGULAR ± 5°

DATE	SCALE: N/A	MODEL TYPE: X3025WR-2*XXC-XXX
DATE	VIEW:	PART NO.: 3.00 mm Crimp Style Connectors
DATE	UNIT: mm	DWG NO.:
DATE	SIZE: A4	WEIGHT 1.0g
		SHEET 1/1
		REVISION A0

Recommended P.C.B Layout
 General Tolerance±0.05

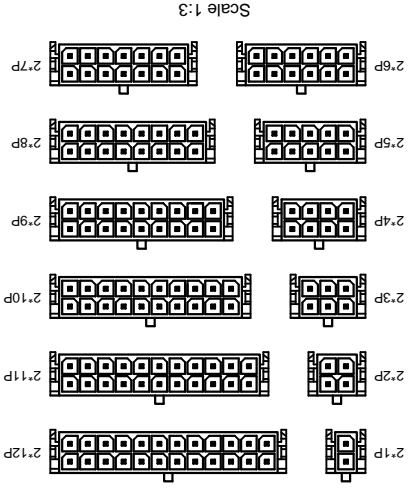


Specifications :

- Voltage rating: 250V AC / DC
- Current rating: 5A AC / DC
- Withstanding voltage: 1000V AC/minute
- Temperature range: -25°C~+85°C
- Insulation resistance: ≥1000MΩ
- Contact resistance: ≤10mΩ
- After environmental testing: ≤20mΩ

X3025 W R X-2*XX C-XX XX XX
 ① Series No.
 ② Category: W-water
 ③ Welding Board Angle: R-90°
 ④ Welding Way: Blank-DIP
 ⑤ Row No.-Pin No.: 2*XX-2*01P~2*12P
 ⑥ Special NO.: C-The harpoon
 ⑦ Material:
 ⑧ 46-PA46 94V-0 NO-PA66 94V-0 LP-LCP 94V-0
 Planting Category:
 G*:Gold-Plated Contact *02-2u"
 SN-Bright tin plating 70u"
 ⑨ Color: Blank-natural color

Poles	A	B	Dimensions (mm)
2*01	---	6.65	
2*02	3.00	9.65	
2*03	6.00	12.65	
2*04	9.00	15.65	
2*05	12.00	18.65	
2*06	15.00	21.65	
2*07	18.00	24.65	
2*08	21.00	27.65	
2*09	24.00	30.65	
2*10	27.00	33.65	
2*11	30.00	36.65	
2*12	33.00	39.65	



Part No.	Material	Material(Pin)	Finish(Pin)	Mates With(XB Housing)
X3025WR-2*XXC-NOG02	Nylon 66 UL 94V-0	LCP UL 94V-0	Gold Flash	X3025H
X3025WR-2*XXC-LPSN	Nylon 66 UL 94V-0	LCP UL 94V-0	Tin-Plated	
X3025WR-2*XXC-46SN	Nylon 46 UL 94V-0	Nylon 46 UL 94V-0	Tin-Plated	
X3025WR-2*XXC-NO5N	Nylon 66 UL 94V-0	Nylon 66 UL 94V-0	Tin-Plated	

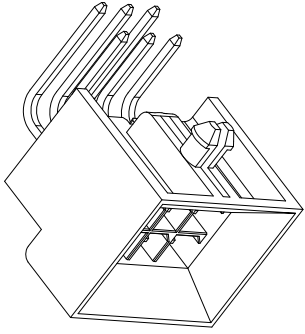
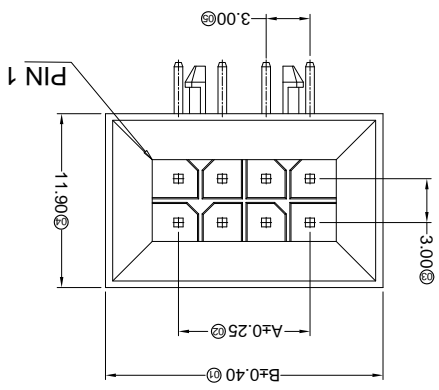
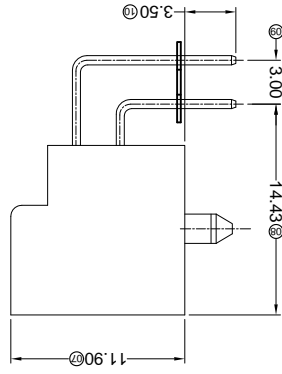
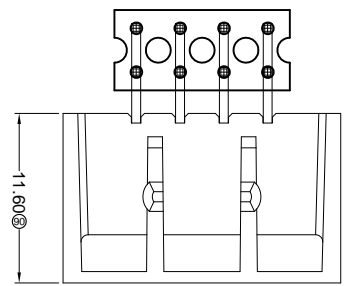
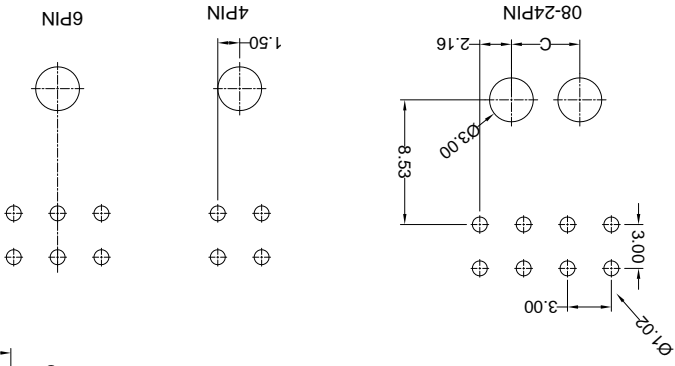
For and on behalf of
KXB INDUSTRIAL PRECISION CO., LIMITED
 香港星坤工業精密有限公司

REVISIONS
 (Authorized Signature(s))

MARK	DESCRIPTION	DATE	REVISED	APPROVED	UNSPECIFIED TOLERANCES
△ X					L > 63
△ X					16 < L ≤ 63
△ X					4 < L ≤ 16
△ X					L ≤ 4
					ANGULAR
					± 5°

DATE	DATE	DATE	DATE	DATE	DATE
SCALE: N/A	VIEW:	UNIT: mm	SIZE: A4	MODEL TYPE: X3025WR-2*XXH-LPSN	PART NO.: 3.00 mm Crimp Style Connectors
DWNG NO.:					
REVISION	SHEET	WEIGHT			
A0	1/1	1.0g			

PCB LAYOUT : Component side



Part No.	Material	Material(Pin)	Finish(Pin)	Mates With XKB Housing
X3025WR-2*XXH-LPSN	LCP UL 94V-0	Brass	Tin-Plated	X3025H

Poles	Dimensions (mm)		
	A	B	C
2*02	3.00	13.00	2*08
2*03	6.00	16.00	2*09
2*04	9.00	19.00	4.68
2*05	12.00	22.00	7.68
2*06	15.00	25.00	10.68
2*07	18.00	28.00	13.68

- ① Series No. X3025 W R X-2*XX H-LP SN XX
- ② ③ ④ ⑤ ⑥ ⑦ ⑧ ⑨
- ① Series No.
 - ② Category: W-water
 - ③ Welding Board Angle: R-90°
 - ④ Welding Way: Blank-DIP
 - ⑤ Row No.-Pin No.: 2*XX-2*01P~2*12P
 - ⑥ Special NO.: H-With Base and positioning column
 - ⑦ Material: LP-LCP 94V-0
 - ⑧ Planting Category: SN-Bright tin plating
 - ⑨ Color: Blank-natural color

- Specifications :
- Voltage rating: 250V AC / DC
 - Current rating: 5A AC / DC
 - Withstanding voltage: 1500V AC/minute
 - Temperature range: -25°C~+85°C
 - Insulation resistance: ≥1000MΩ
 - Contact resistance: ≤10mΩ
 - After environmental testing: ≤20mΩ

REVISIONS
Authorized Signature(s)

MARK	DESCRIPTION	DATE	REVISED	APPROVED	UNSPECIFIED TOLERANCES
△ X					L > 63 ± 0.5
△ X					16 < L ≤ 63 ± 0.4
△ X					4 < L ≤ 16 ± 0.3
△ X					L ≤ 4 ± 0.2
					ANGULAR ± 5°

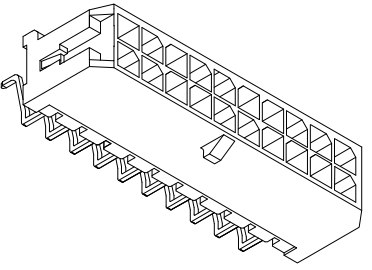
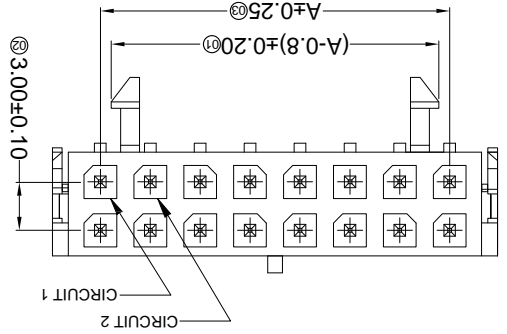
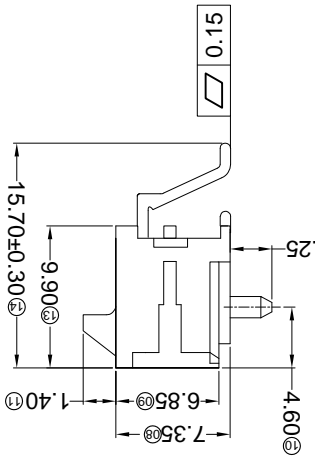
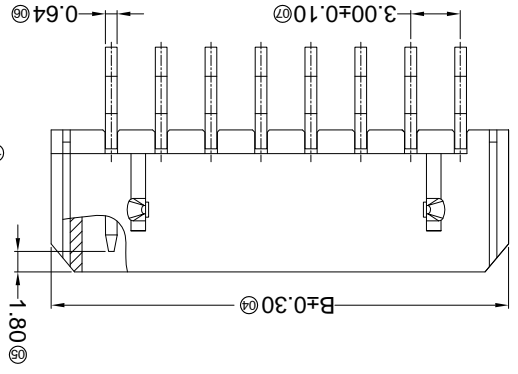
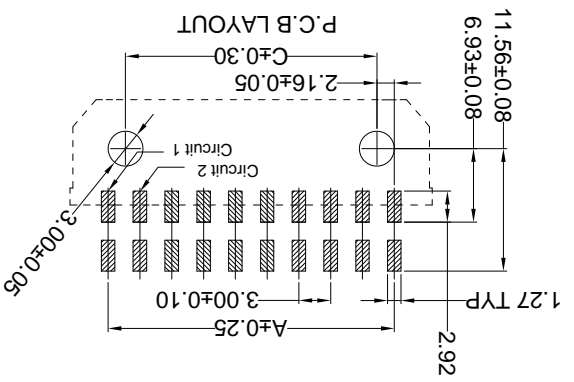
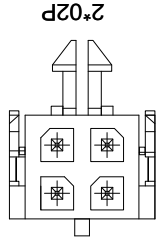
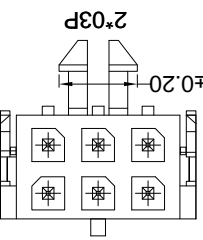
For and on behalf of
KXB INDUSTRIAL PRECISION CO., LIMITED
香港星坤工業精密有限公司

KXB INDUSTRIAL PRECISION CO., LIMITED

DATE	SCALE: N/A	MODEL TYPE: X3025WRS-2*XXA-LPXX
DNSD	VIEW:	PART NO.: X3025WRS-2*XXA-LPXX
DWN	UNIT: mm	DWG NO.: 3.00 mm Crimp Style Connectors
CHKD	DATE	REVISION
APPD	DATE	SHEET
	SIZE: A4	1/1
	WEIGHT	1.0g
	REVISION	A0

PART NO	Material	Material(Pin)	Finish(Pin)	Mates With XKB Housing
X3025WRS-2*XXA-LP5W	LCP UL 94V-0	Brass	Tin-Plated	X3025H
X3025WRS-2*XXA-LP5W	LCP UL 94V-0	Brass	Mate Tin Plating	

Poles	Dimensions (mm)		
	A	B	C
2*01	6.65	6.65	2*07
2*02	3.00	9.65	2*08
2*03	6.00	12.65	2*09
2*04	9.00	15.65	4*07
2*05	12.00	18.65	7*07
2*06	15.00	21.65	10*07
Poles			
Dimensions (mm)			
A	B	C	
2*01	24.65	13.70	
2*02	27.65	16.70	
2*03	30.65	19.70	
2*04	33.65	22.70	
2*05	36.65	25.70	
2*06	39.65	28.70	



- ① Series No.
- ② Category: W-water
- ③ Welding Board Angle: R- Right Angle 90°
- ④ Welding Way: S-SMT
- ⑤ Row No.-Pin No.: 2*XX-2*01P-2*12P
- ⑥ Plug the Pin & Special No.: A-With Post
- ⑦ Material: LP-LCP 94V-0
- ⑧ Planting Category: SN-Bright tin plating
- ⑨ Color: Blank-natural color
- ⑩ SW-Matte Tin plating

X3025 W R S-2*XX A-LP XX XX

- Specifications :
- Voltage rating: 250V AC / DC
- Current rating: 5A AC / DC
- Withstanding voltage: 1000V AC/minute
- Temperature range: -25°C~+85°C
- Insulation resistance: >1000MΩ
- Contact resistance: ≤10mΩ
- After environmental testing: <20mΩ

For and on behalf of
KXB INDUSTRIAL PRECISION CO., LIMITED
 香港星坤工業精密有限公司

REVISIONS
 Authorized Signature(s)

MARK	DESCRIPTION	DATE	REVISED	APPROVED	UNSPECIFIED TOLERANCES
△ X					L > 63
△ X					16 < L ≤ 63
△ X					4 < L ≤ 16
△ X					L ≤ 4
					ANGULAR
					± 5°
					± 0.2
					± 0.3
					± 0.4
					± 0.5

REVISION	SHEET	WEIGHT	8
A0	1/1	1.0g	

DATE	SCALE: N/A	MODEL TYPE: X3025WRS-2*XXC-XXXX

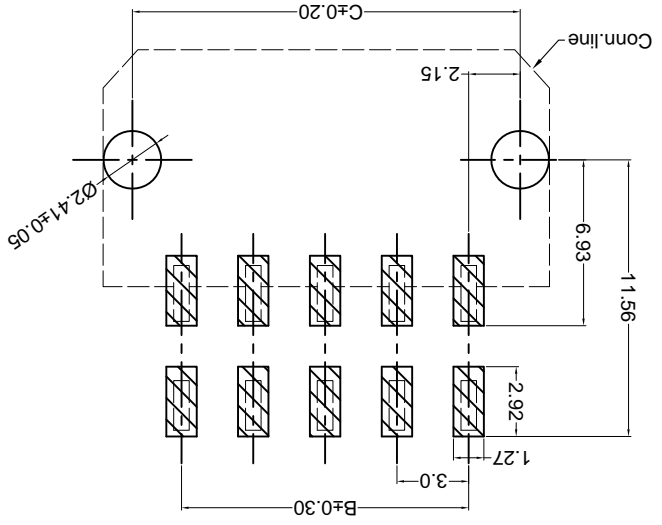
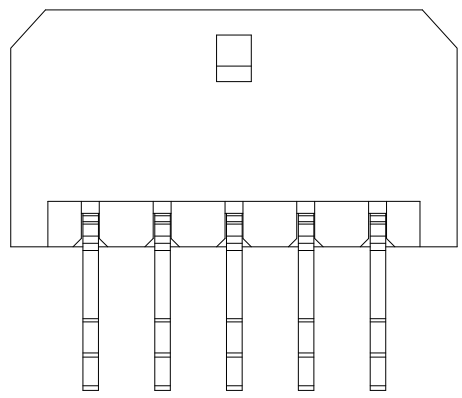
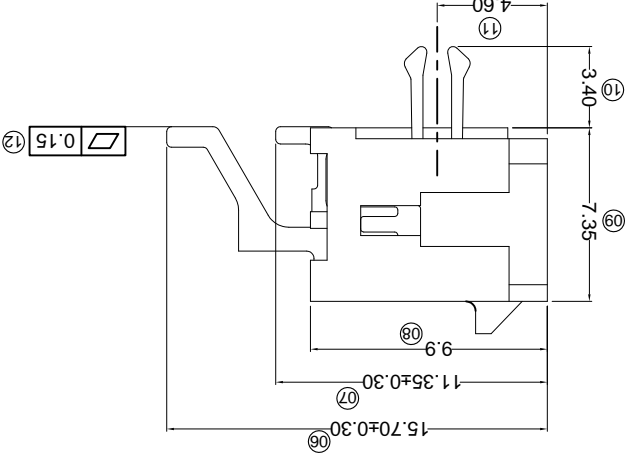
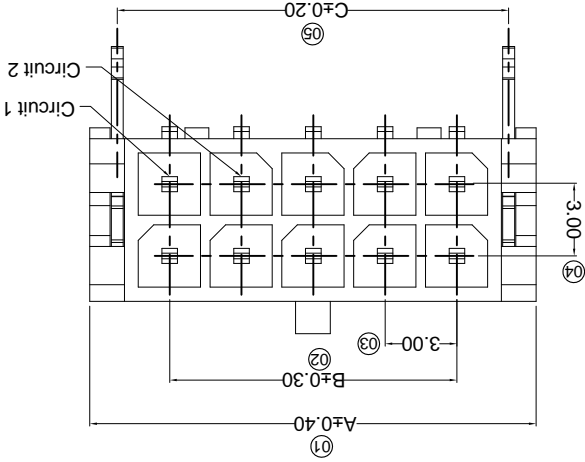
DATE	VIEW:	PART NO.: X3025WRS-2*XXC-XXXX

DATE	UNIT: mm	DWG NO.:

DATE	SIZE: A4	REVISION

KXB INDUSTRIAL PRECISION CO., LIMITED

PART NO	Material	Material(Pin)	Finish(Pin)	(Solder Tabs) Material	(Solder Tabs) Finish	Mates With XKB Housing
X3025WRS-2*XXC-LPSW	LCP UL 94V-0	Brass	Ni:50u"Min; Sn:120u"Min	Brass	Tin-Plated	Mates With XKB Housing
X3025WRS-2*XXC-LPSN	LCP UL 94V-0	Brass	Ni:50u"Min; Sn:120u"Min	Brass	Tin-Plated	Mates With XKB Housing
X3025WRS-2*XXC-NOSN	PA66 UL 94V-0	Brass	Ni:50u"Min; Sn:120u"Min	Brass	Tin-Plated	Mates With XKB Housing



- **Specifications :**
- Voltage rating: 250V AC / DC
 - Current rating: 5A AC / DC
 - Withstanding voltage: 1000V AC/minute
 - Temperature range: -25°C~+85°C
 - Insulation resistance: ≥1000MΩ
 - Contact resistance: ≤10mΩ
 - After environmental testing: ≤20mΩ

X3025 W R S-2*XX C-XX XX XX
 ① Series No.
 ② Category: W-water
 ③ Welding Board Angle: R-90°
 ④ Welding Way: S-SMT
 ⑤ Row No.-Pin No.: 2*XX-Double row
 ⑥ Special NO.: C-The harpoon
 ⑦ Material: LP-LCP 94V-0
 ⑧ Material: N0-PA66 94V-0
 ⑨ Plating Category:
 SN-Bright tin plating 70u"
 SW-Fog Tin plating
 Color:
 ⑩ Blank-natural color

Poles	A	B	C
02	6.65	---	4.20
04	9.65	3.00	7.20
06	12.65	6.00	10.20
08	15.65	9.00	13.20
10	18.65	12.00	16.20
12	21.65	15.00	19.20
14	24.65	18.00	22.20
16	27.65	21.00	25.20
18	30.65	24.00	28.20
20	33.65	27.00	31.20
22	36.65	30.00	34.20
24	39.65	33.00	37.20

For and on behalf of
XKB INDUSTRIAL PRECISION CO., LIMITED
 香港星坤工業精密有限公司

MARK	DESCRIPTION	DATE	REVISID	APPROVED	UNSPECIFIED TOLERANCES
△ X					L > 63
△ X					16 < L ≤ 63
△ X					4 < L ≤ 16
△ X					L ≤ 4
					ANGULAR
					± 5°

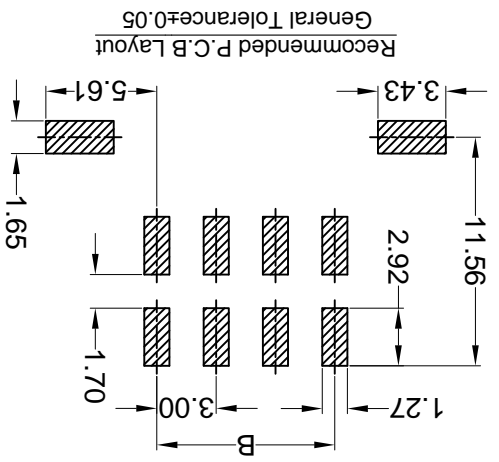
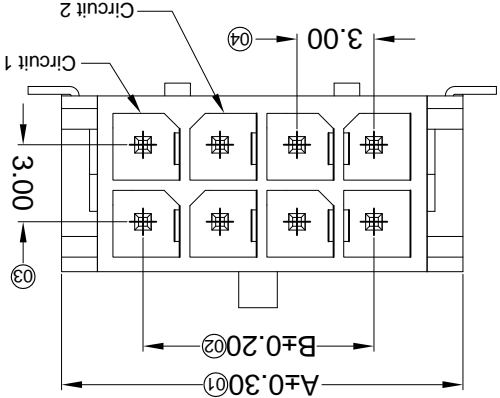
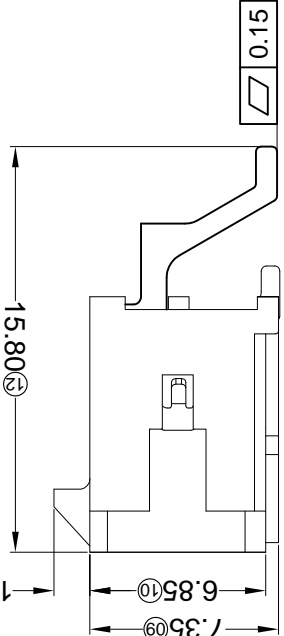
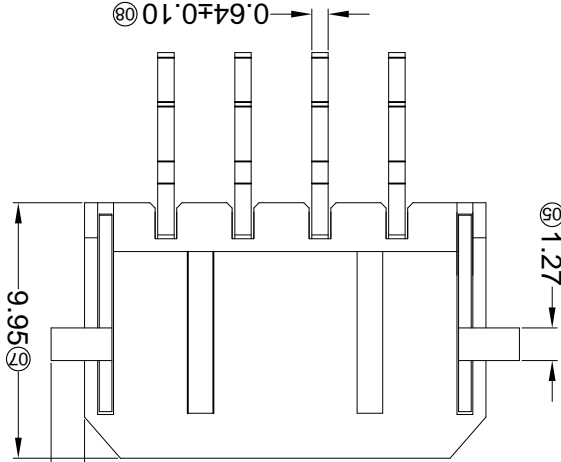
REVISIONS	DATE	DESCRIPTION

DATE	SCALE: N/A	MODEL TYPE: X3025WRS-2*XXD-XXXX

DATE	VIEW:	PART NO.:

DATE	UNIT: mm	DWG NO.:

DATE	SIZE: A4	WEIGHT
		1.0g



Poles	Dimensions (mm)	
	A	B
2*01	6.65	---
2*02	9.65	3.00
2*03	12.65	6.00
2*04	15.65	9.00
2*05	18.65	12.00
2*06	21.65	15.00

Poles	Dimensions (mm)	
	A	B
2*01	24.65	18.00
2*02	27.65	21.00
2*03	30.65	24.00
2*04	33.65	27.00
2*05	36.65	30.00
2*06	39.65	33.00

- ① Series No.
- ② Category: W-WAFER
- ③ Welding Board Angle: R-Straight 90°
- ④ Welding Way: S-SMT
- ⑤ Row No.-Pin No.: 2*XX-2*02P~2*22P
- ⑥ Plug the Pin & Special No.: D-With Solder Tabs
- ⑦ Material: LP-LCP 94V-0
- ⑧ Plating Category: SN-Bright Tin Plating; G05-Contact Gold 5u"
- ⑨ Color: Blank-Natural Color

- Specifications:
- Voltage rating: 250V AC / DC
 - Current rating: 5A AC / DC
 - Withstanding voltage: 1000V AC/minute
 - Temperature range: -25°C~+85°C
 - Insulation resistance: ≥1000MΩ
 - Contact resistance: ≤10mΩ
 - After environmental testing: ≤20mΩ

X3025 W R S-2*XX D-LP XX XX
 ① ② ③ ④ ⑤ ⑥ ⑦ ⑧ ⑨

PART NO	Material	Material(Pin)	Finish(Pin)	Material (Solder Tabs)	Finish (Solder Tabs)	Mates With XKB Housing
X3025WRS-2*XXD-LPSN			Tin-Plated			
X3025WRS-2*XXD-LPG05	LCP UL 94V-0	Brass	Ni:50u" Min; Sn:120u" Min; Contact Area Gold:5u" Min.	Brass	Tin-Plated	X3025H
X3025WRS-2*XXD-LPSW			Matte tin			

DATE	SCALE: N/A	MODEL TYPE: X3025WRS-2*XXD-XXXX

DATE	UNIT: mm	DWG NO.:

DATE	SIZE: A4	WEIGHT
		1.0g

PART NO	Material	Material(Pin)	Finish(Pin)	Material (Solder Tabs)	Finish (Solder Tabs)	Mates With XKB Housing
X3025WRS-2*XXD-LPSN			Tin-Plated			
X3025WRS-2*XXD-LPG05	LCP UL 94V-0	Brass	Ni:50u" Min; Sn:120u" Min; Contact Area Gold:5u" Min.	Brass	Tin-Plated	X3025H
X3025WRS-2*XXD-LPSW			Matte tin			

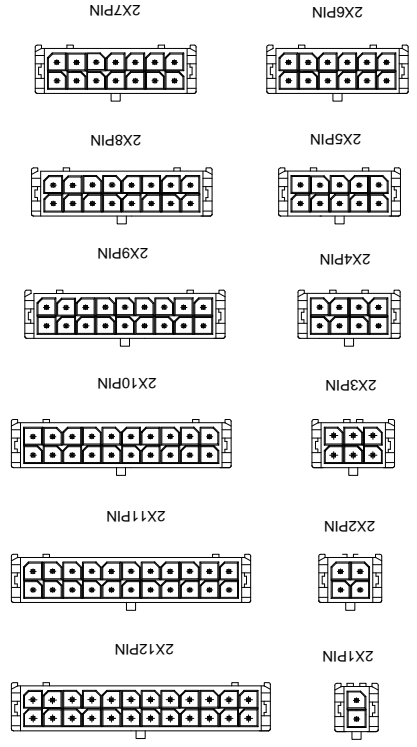
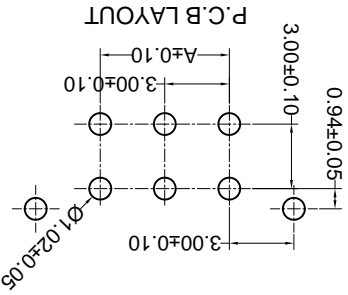
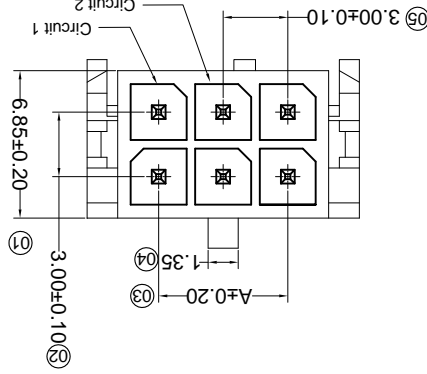
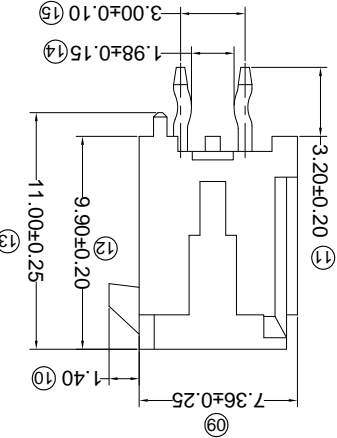
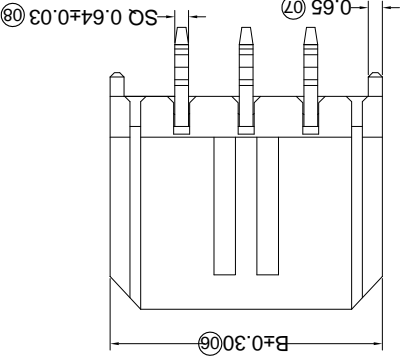
For and on behalf of
XKB INDUSTRIAL PRECISION CO., LIMITED
 香港星坤工業精密有限公司

REVISIONS
 (Authorized Signature)

MARK	DESCRIPTION	DATE	REVISED	APPROVED	UNSPECIFIED TOLERANCES
△ X					L > 63 ± 0.5
△ X					16 < L ≤ 63 ± 0.4
△ X					4 < L ≤ 16 ± 0.3
					L ≤ 4 ± 0.2
					ANGULAR ± 5°

DSND	DATE	SCALE: N/A	MODEL TYPE: X3025WV-2*XX-XXXX
DWN	DATE	VIEW:	PART NO.:
CHKD	DATE	UNIT: mm	DWG NO.:
APPD	DATE	SIZE: A4	REVISION
			1/1 A0

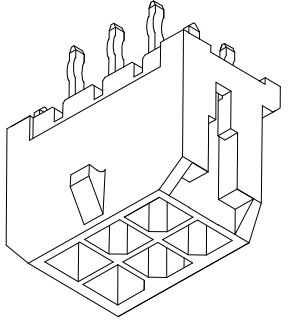
PART NO	Material	Material (Pin)	Finish (Pin)	Mates With XKB Housing
X3025WV-2*XX-PTSN	PBT UL 94V-0	Brass	Tin-Plated	X3025H
X3025WV-2*XX-46SN	PA46 UL 94V-0			
X025WV-2*XX-N0SN	PA66 UL 94V-0			
X3025WV-2*XX-46V01	PA46 UL 94V-0			



Poles	Dimensions (mm)		Poles	Dimensions (mm)	
	A	B		A	B
2*01	---	6.65	2*07	18.00	24.65
2*02	3.00	9.65	2*08	21.00	27.65
2*03	6.00	12.65	2*09	24.00	30.65
2*04	9.00	15.65	2*10	27.00	33.65
2*05	12.00	18.65	2*11	30.00	36.65
2*06	15.00	21.65	2*12	33.00	39.65

- ① Series No. X3025 W V X-2*XX X-XX XX XX ① ② ③ ④ ⑤ ⑥ ⑦ ⑧ ⑨
- ② Category: W-WAFER
 - ③ Welding Board Angle: V-Straight 180°
 - ④ Welding Way: Blank-DIP
 - ⑤ Row No.-Pin No.: 2*XX-2*01P-2*22P
 - ⑥ Plug the Pin & Special No.:
 - ⑦ Material: N0-PA66 94V-0; T-PBT 94V-0; 46-PA46 94V-0
 - ⑧ Plating Category: SN-Bright Tin Plating; V01-All Gold Flash
 - ⑨ Color: Blank-Natural Color

- Specifications:
- Voltage rating: 250V AC / DC
 - Current rating: 5A AC / DC
 - Withstanding voltage: 1000V AC/minute
 - Temperature range: -25°C~+85°C
 - Insulation resistance: ≥1000MΩ
 - Contact resistance: ≤10mΩ
 - After environmental testing: ≤20mΩ



REVISIONS
Authorized Signatures

MARK	DESCRIPTION	DATE	REVISED	APPROVED	UNSPECIFIED TOLERANCES
△ X					L > 63 ± 0.5
△ X					16 > L ≤ 63 ± 0.4
△ X					4 < L ≤ 16 ± 0.3
△ X					L ≤ 4 ± 0.2
					ANGULAR ± 5°

For and on behalf of
KXB INDUSTRIAL PRECISION CO., LIMITED
香港星坤工業精密有限公司

KXB INDUSTRIAL PRECISION CO., LIMITED

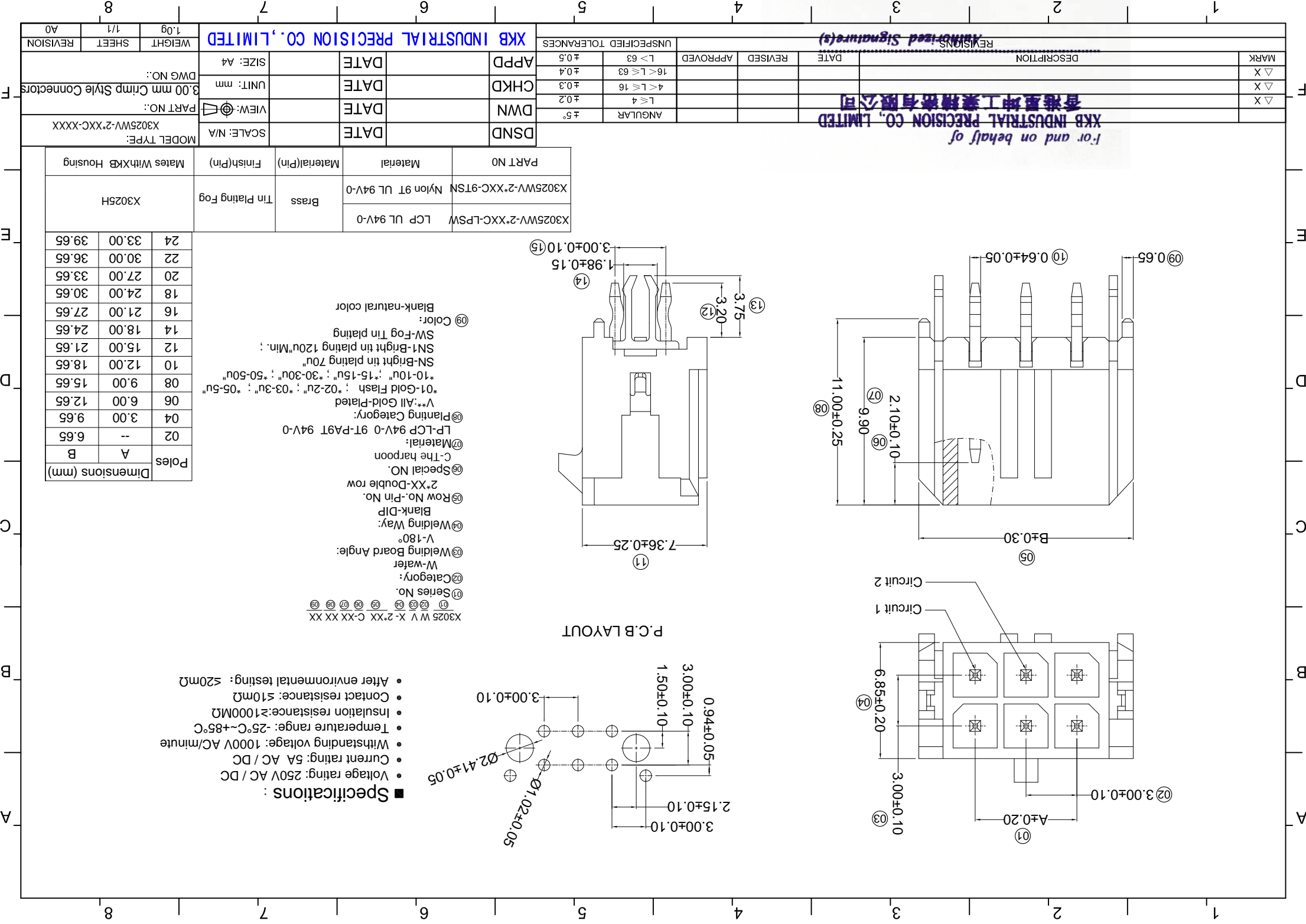
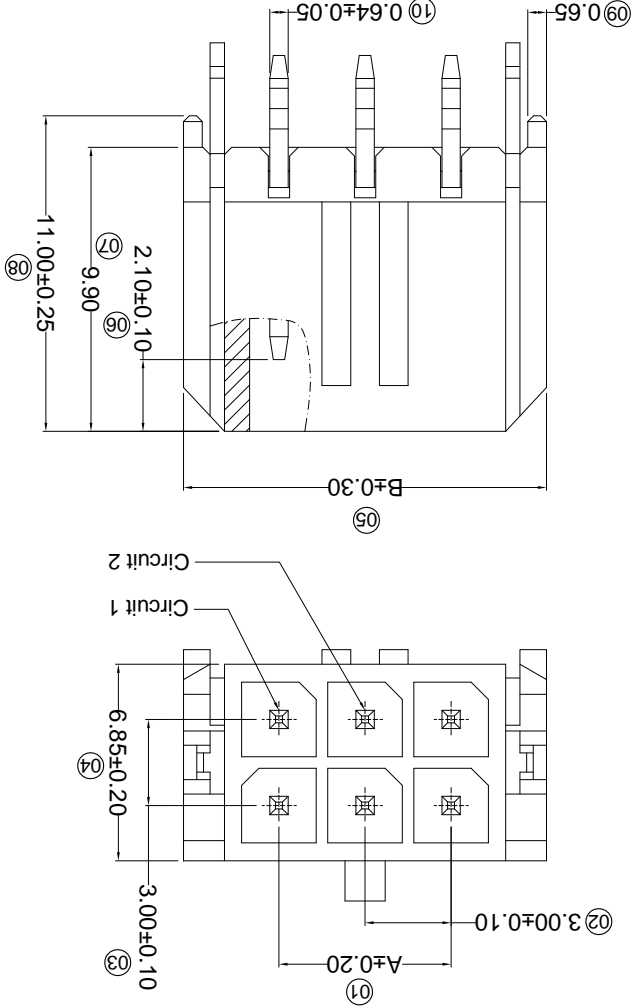
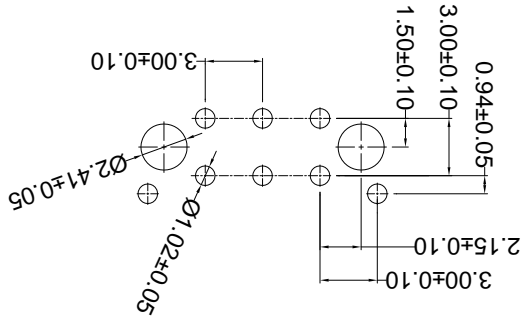
WEIGHT	1.0g
SHEET	1/1
REVISION	A0
DATE	
DATE	
DATE	
SCALE: N/A	
MODEL TYPE: X3025WV-2*XXC-XXXX	
PART NO.:	
3.00 mm Crimp Style Connectors	
DWG NO.:	
SIZE: A4	

PART NO	Material	Material(Pin)	Finish(Pin)	Mates With
X3025WV-2*XXC-9T5N	Nylon 9T UL 94V-0	Brass	Tin Plating Fog	X3025H
X3025WV-2*XXC-LPSW	LCP UL 94V-0			

Poles	A	B
02	--	6.65
04	3.00	9.65
06	6.00	12.65
08	9.00	15.65
10	12.00	18.65
12	15.00	21.65
14	18.00	24.65
16	21.00	27.65
18	24.00	30.65
20	27.00	33.65
22	30.00	36.65
24	33.00	39.65

- ① Series No.
- ② Category:
- ③ W-water
- ④ Welding Board Angle:
- ⑤ V-180°
- ⑥ Welding Way:
- ⑦ Blank-DIP
- ⑧ Row No.-Pin No.
- ⑨ 2*XX-Double row
- ⑩ Special NO.
- ⑪ C-The harpoon
- ⑫ Material:
- ⑬ LP-LCP 94V-0 9T-PA9T 94V-0
- ⑭ Planting Category:
- ⑮ V**All Gold-Plated
- ⑯ *01-Gold Flash : *02-2u" ; *03-3u" ; *05-5u"
- ⑰ *10-10u" ; *15-15u" ; *30-30u" ; *50-50u"
- ⑱ SN-Bright tin plating 70u"
- ⑲ SN1-Bright tin plating 120u"Min.:
- ⑳ SW-Fog Tin plating
- ㉑ Color:
- ㉒ Blank-natural color

P.C.B LAYOUT



Authorized Signatures

For and on behalf of
XKB INDUSTRIAL PRECISION CO., LIMITED
 香港星坤工業精密有限公司

MARK	DESCRIPTION	DATE	REVISED	APPROVED	UNSPECIFIED TOLERANCES
△ X					L > 63
△ X					16 < L ≤ 63
△ X					4 < L ≤ 16
△ X					L ≤ 4
					ANGULAR
					± 5°

REVISIONS	DATE	REVISED	APPROVED	APPD	DATE	SIZE: A4

REVISIONS	DATE	REVISED	APPROVED	CHKD	DATE	UNIT: mm

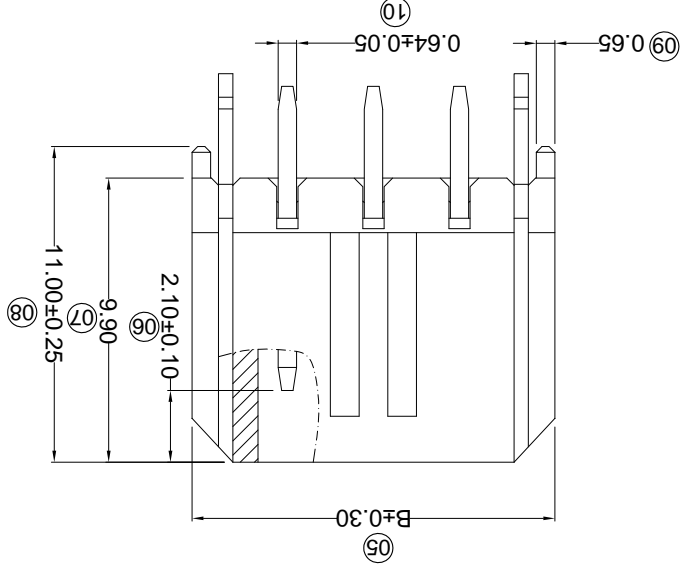
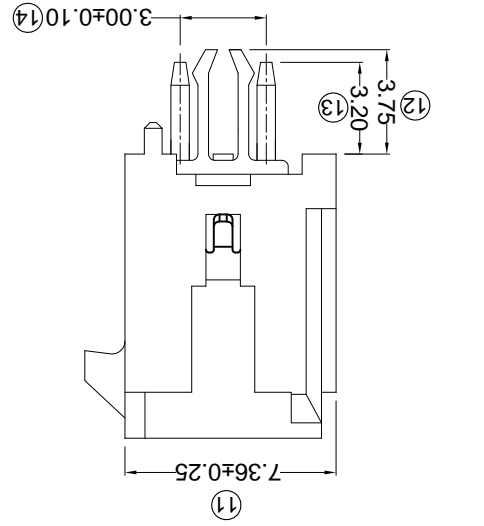
REVISIONS	DATE	REVISED	APPROVED	DWN	DATE	VIEW: ①

REVISIONS	DATE	REVISED	APPROVED	DSND	DATE	SCALE: N/A

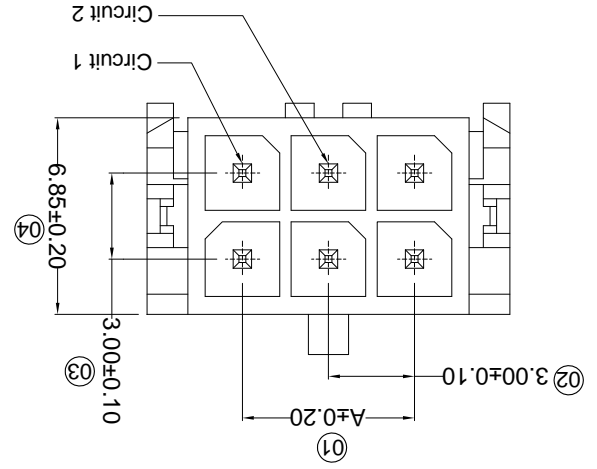
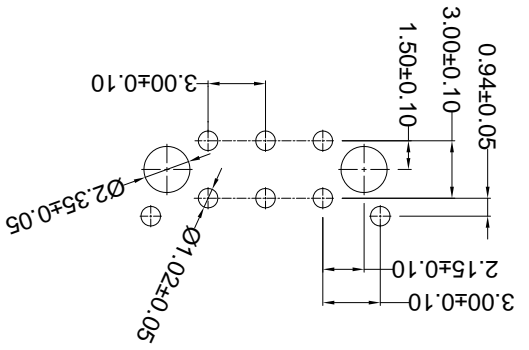
PART NO	Material	Material(Pin)	Finish(Pin)	Mates With XKB Housing
X3025WV-2*XXCN-LPSN	LCP UL 94V-0	Brass	Tin-Plated	X3025H

Poles	A	B
02	--	6.65
04	3.00	9.65
06	6.00	12.65
08	9.00	15.65
10	12.00	18.65
12	15.00	21.65
14	18.00	24.65
16	21.00	27.65
18	24.00	30.65
20	27.00	33.65
22	30.00	36.65
24	33.00	39.65

- ① Series No. X3025 W V X-2*XX CN-LP SN XX
- ② Category: W-water
- ③ Welding Board Angle: V-180°
- ④ Welding Way: Blank-DIP
- ⑤ Row No.-Pin No. 2*XX-Double row
- ⑥ Special NO. C-The harpoon N-without K the feet
- ⑦ Material: LP-LCP 94V-0
- ⑧ Plating Category: V**All Gold-Plated
- ⑨ Color: SN-Bright tin plating 70u" ; *1-10u" ; *15-15u" ; *30-30u" ; *50-50u" ; SN1-Bright tin plating 120u" Min. ; SW-Fog Tin plating ; Blank-natural color



P.C.B LAYOUT



- Specifications :
- Voltage rating: 250V AC / DC
 - Current rating: 5A AC / DC
 - Withstanding voltage: 1000V AC/minute
 - Temperature range: -25°C~+85°C
 - Insulation resistance: ≥1000MΩ
 - Contact resistance: ≤10mΩ
 - After environmental testing: ≤20mΩ

For and on behalf of
KXB INDUSTRIAL PRECISION CO., LIMITED
 香港星坤工業精密有限公司

MARK	DESCRIPTION	DATE	REVISED	APPROVED	UNSPECIFIED TOLERANCES
△ X					L > 63
△ X					16 < L ≤ 63
△ X					4 < L ≤ 16
△ X					L ≤ 4
					ANGULAR

REVISIONS	DATE	REVISED	APPROVED	UNSPECIFIED TOLERANCES
				L > 63
				16 < L ≤ 63
				4 < L ≤ 16
				L ≤ 4
				ANGULAR

Part No.	Material	Material(Pin)	Finish(Pin)	Tin-Plated	Part No.
X3025WV-2*XXH-LPSN	LCP UL 94V-0	Brass			X3025H

Part No.	Material	Material(Pin)	Finish(Pin)	Tin-Plated	Part No.
X3025WV-2*XXH-LPSN	LCP UL 94V-0	Brass			X3025H

Dimensions (mm)	A	B	C
04	3.00	13.00	12.00
06	6.00	16.00	15.00
08	9.00	19.00	18.00
10	12.00	22.00	21.00
12	15.00	25.00	24.00
14	18.00	28.00	27.00
16	21.00	31.00	30.00
18	24.00	34.00	33.00
20	27.00	37.00	36.00
22	30.00	40.00	39.00
24	33.00	43.00	42.00

DATE	SCALE: N/A	VIEW:	UNIT: mm	SIZE: A4

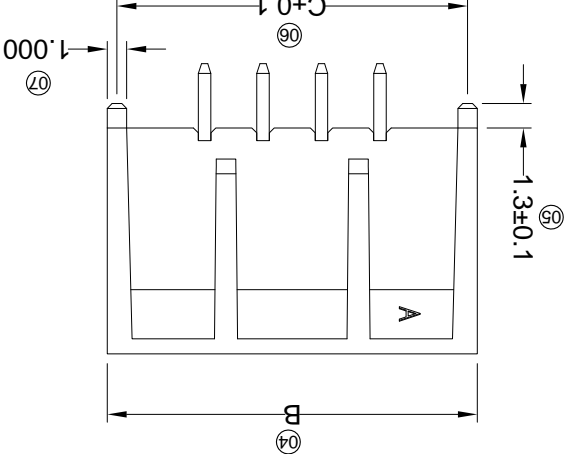
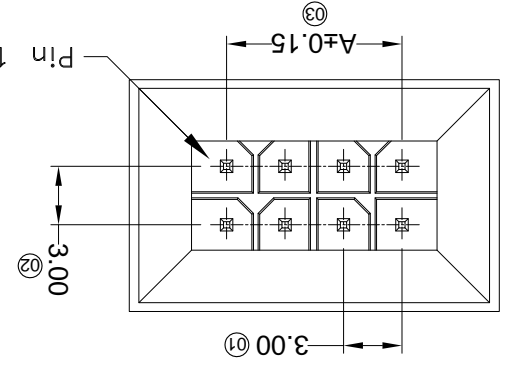
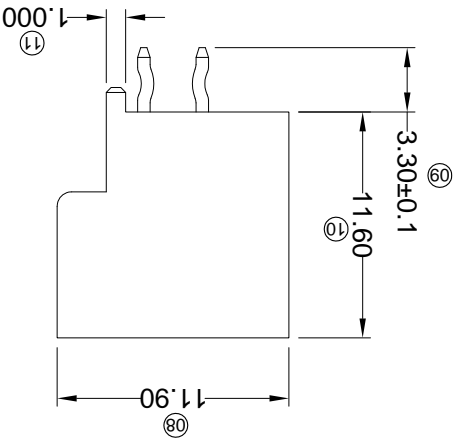
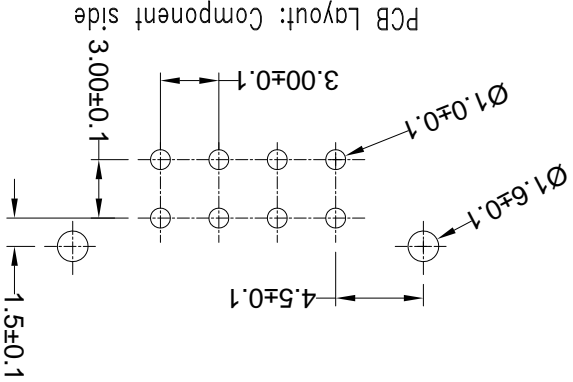
MODEL TYPE:	SCALE: N/A	VIEW:	UNIT: mm	SIZE: A4
X3025WV-2*XXH-LPSN				

8 7 6 5 4 3 2 1

1 2 3 4 5 6 7 8

- Specifications :**
- Voltage rating: 250V AC / DC
 - Current rating: 5A AC / DC
 - Withstanding voltage: 1000V AC/minute
 - Temperature range: -25°C~+85°C
 - Insulation resistance: ≥1000MΩ
 - Contact resistance: ≤10mΩ
 - After environmental testing: ≤20mΩ

X3025W V X-2*XXH-LPSNXX
 ① Series No.
 ② Category:
 W-water
 ③ Welding Board Angle:
 V-180°
 ④ Welding Way:
 Blank-DIP
 ⑤ Row No.-Pin No.
 2*XX-Double row
 ⑥ Special NO.
 H-Arrange ushering with positioning column
 ⑦ Material:
 LP-LCP 94V-0
 ⑧ Plating Category:
 V**All Gold-Plated
 G**Gold-Plated Contact
 *01-Gold Flash ; *02-2u" ; *03-3u" ; *05-5u"
 *10-10u" ; *15-15u" ; *30-30u" ; *50-50u"
 SN-Bright tin plating 70u"
 SN1-Bright tin plating 120u"Min. ;
 SW-Fog Tin plating
 ⑨ Color:
 Blank-natural color



REVISIONS
Authorized Signatures(s)

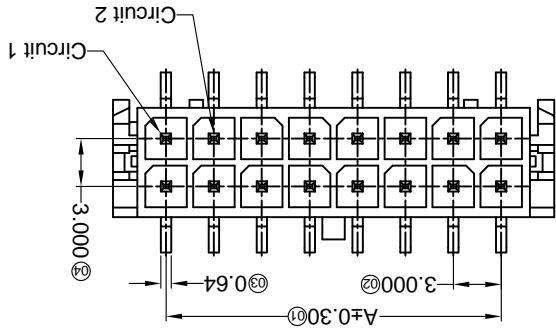
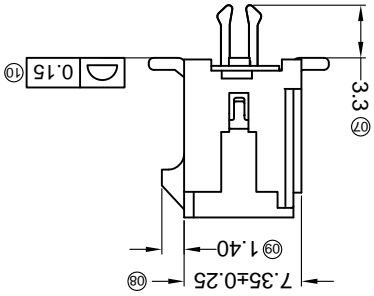
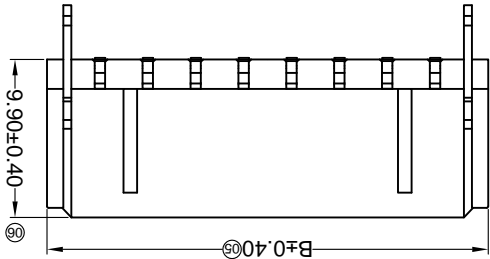
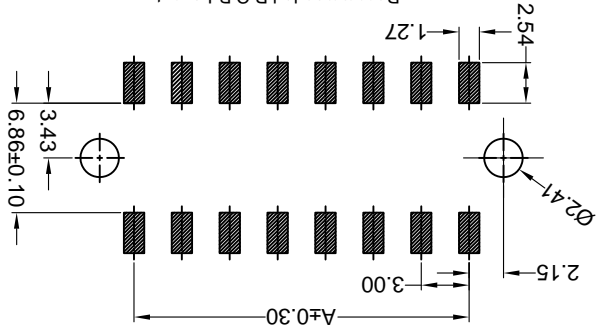
MARK	DESCRIPTION	DATE	REVISED	APPROVED	UNSPECIFIED TOLERANCES
△ X					L > 63
△ X					16 < L ≤ 63
△ X					4 < L ≤ 16
△ X					L ≤ 4
					ANGULAR
					± 5°

For and on behalf of
KXB INDUSTRIAL PRECISION CO., LIMITED
香港星坤工業精密有限公司

KXB INDUSTRIAL PRECISION CO., LIMITED

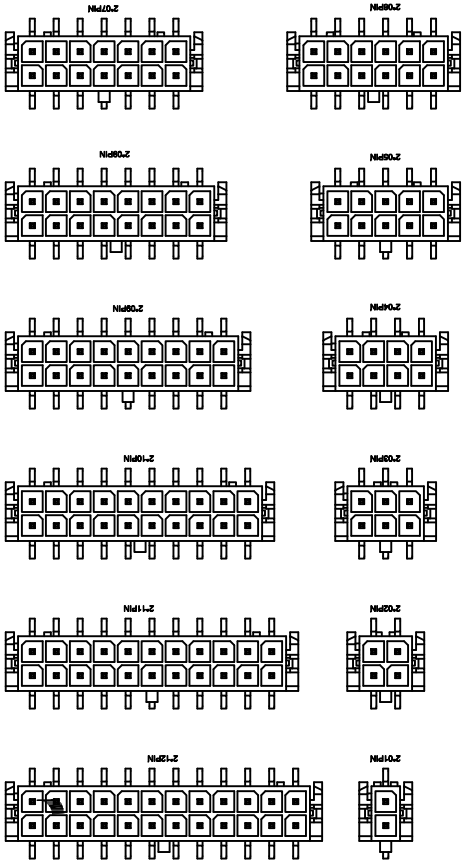
WEIGHT	1.0g
SHEET	1/1
REVISION	A0
DATE	
DATE	
DATE	
DATE	
SCALE: N/A	
MODEL TYPE: X3025WVS-2*XXC-LPXX	
PART NO.:	
3.00 mm Crimp Style Connectors	
DWG NO.:	
SIZE: A4	

Recommended P.C.B Layout
General Tolerance±0.05



PART NO	Material	Material(Pin)	Material(Solder Tabs)	Material(Finish)	Mates With XKB Housing
X3025WVS-2*XXC-LPXX	LCP UL 94V-0	Brass	Brass	Tin-Plated	X3025H
X3025WS-2*XXC-LPXX	LCP UL 94V-0	Brass	Brass	Tin-Plated	X3025H

Poles	Dimensions(mm)	Dimensions(mm)
2*06	15.00	21.65
2*05	12.00	18.65
2*04	9.00	15.65
2*03	6.00	12.65
2*02	3.00	9.65
2*01	---	6.65
A	18.00	2*07
B	24.65	---



- ① Series No.
- ② Category: W-water
- ③ Welding Board Angle: V- Straight 180°
- ④ Welding Way: S-SMT
- ⑤ Row No-Pin No.: 2*XX-2*01P-2*12P
- ⑥ Plug the Pin & Special No.: C-The Harpoon
- ⑦ Material: LP-LCP 94V-0
- ⑧ Plating Category:
- ⑨ SN-Bright tin plating : SW-Matte Tin plating
- ⑩ Color: Blank-Natural color

X3025 W V S-2*XX C-LP XX XX

- Specifications :
- Voltage rating: 250V AC / DC
- Current rating: 5A AC / DC
- Withstanding voltage: 1000V AC/minute
- Temperature range: -25°C~+85°C
- Insulation resistance: ≥1000MΩ
- Contact resistance: ≤10mΩ
- After environmental testing: ≤20mΩ

For and on behalf of
XKB INDUSTRIAL PRECISION CO., LIMITED
 香港星坤工業精密有限公司

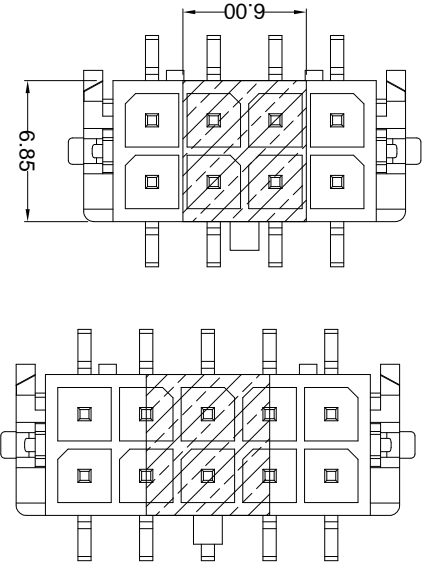
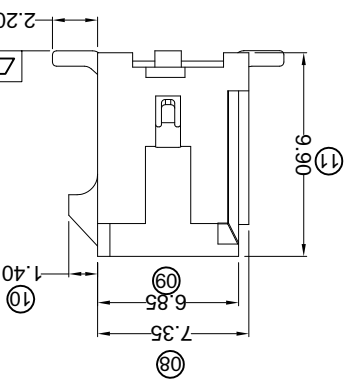
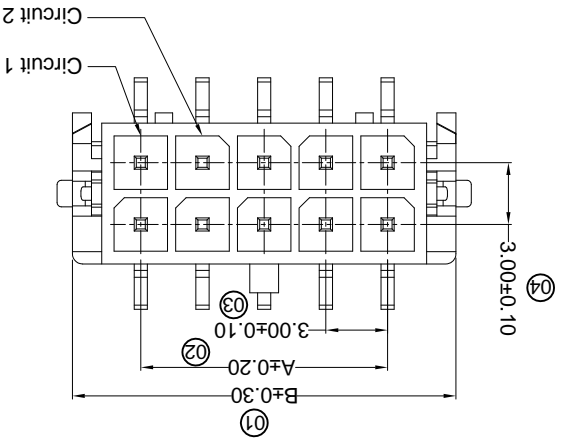
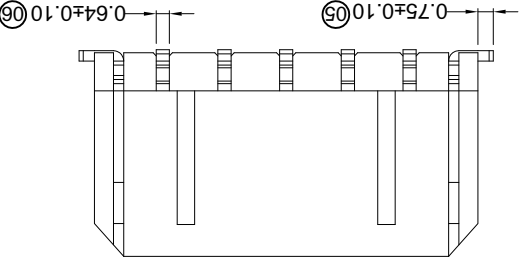
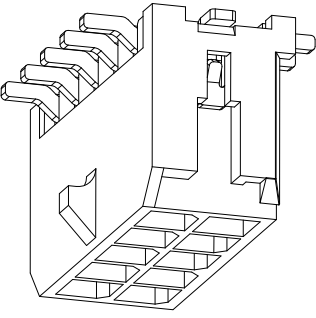
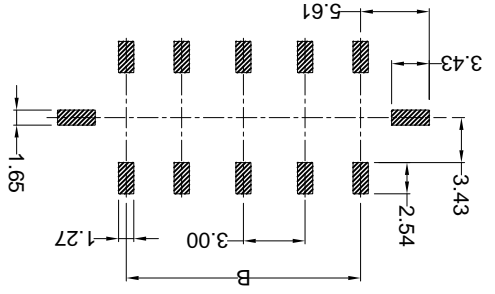
MARK	DESCRIPTION	DATE	REVISED	APPROVED	UNSPECIFIED TOLERANCES
△ X					L > 63
△ X					16 > L ≤ 63
△ X					4 < L ≤ 16
					L ≤ 4
					ANGULAR
					± 5°

REVISIONS	DATE	REVISED	APPROVED	UNSPECIFIED TOLERANCES
				L > 63
				16 > L ≤ 63
				4 < L ≤ 16
				L ≤ 4
				ANGULAR
				± 5°

DATE	SCALE: N/A	MODEL TYPE: X3025WVS-2*XXD-LPSW
DNSD	VIEW:	PART NO.: 3.00 mm Crimp Style Connectors
DWN	UNIT: mm	DWG NO.:
CHKD	DATE	SIZE: A4
APPD	DATE	WEIGHT: 1.0g

REVISION	SHEET	WEIGHT
A0	1/1	1.0g

P.C.B. LAYOUT



PART NO	Material	Material(Pin)	Finish(Pin)	Dimensions(mm)		Poles	
				A	B	A	B
X3025WVS-2*XXD-LPSW	LCP UL 94V-0	Brass	Matte tin	2*06	2*06	2*01	2*01
		Brass	Matte tin	2*05	2*05	2*02	2*02
		Brass	Matte tin	2*04	2*04	2*03	2*03
		Brass	Matte tin	2*03	2*03	2*04	2*04
		Brass	Matte tin	2*02	2*02	2*05	2*05
		Brass	Matte tin	2*01	2*01	2*06	2*06

- ① Series No.
- ② Category: W-water
- ③ Weiding Board Angle: V- Stright 180°
- ④ Weiding Way: S-SMT
- ⑤ Row No.-Pin No.: 2*XX-2*01P-2*12P
- ⑥ Plug the Pin & Special No.: D-Solder Tabs
- ⑦ Material: LP-LCP 94V-0
- ⑧ Planting Category:
- ⑨ SN-Bright tin plating ; SW-Matte Tin plating
- ⑩ Color: Blank-Natural color

X3025 W V S-2*XX D-LP XX XX

- Specifications :
- Voltage rating: 250V AC / DC
 - Current rating: 5A AC / DC
 - Withstanding voltage: 1000V AC/minute
 - Temperature range: -25°C~+85°C
 - Insulation resistance: ≥1000MΩ
 - Contact resistance: ≤10mΩ
 - After environmental testing: ≤20mΩ

X-ON Electronics

Largest Supplier of Electrical and Electronic Components

Click to view similar products for [Headers & Wire Housings](#) category:

Click to view products by [XKB](#) manufacturer:

Other Similar products are found below :

[95000-104TRLF](#) [10135584-644402LF](#) [DF62W-EP2022PCA](#) [95000-106TRLF](#) [DF62W-2022SCA](#) [DF62W-EP2022PC](#) [2203348](#) [DF62W-2022SC](#) [1084018](#) [1029039](#) [1084017](#) [802-10-012-10-002000](#) [1112640](#) [1112639](#) [891-007-9SS-BST1T](#) [000-34000](#) [0008550134](#) [0009482033](#) [0009507031](#) [57102-F02-18ULF](#) [57102-S06-03LF](#) [57202-S52-04LF](#) [PCN6-15S-2.5E](#) [0039019024](#) [58102-G61-06LF](#) [582553-1](#) [0009485154](#) [0009508121](#) [0022285053](#) [0050291907](#) [018731A](#) [LY20-4P-DT1-P1E-BR](#) [02.125.8002.8](#) [60101931](#) [60598-1 \(Cut Strip\)](#) [M1625-3R/100](#) [61062-3](#) [61082-181009](#) [CSU011177004](#) [636-1427](#) [638009-1](#) [641938-9](#) [641991-4](#) [644168-1](#) [644827-2](#) [647662-1](#) [65039-019ELF](#) [65692-001LF](#) [65781-018](#) [65781-047](#)