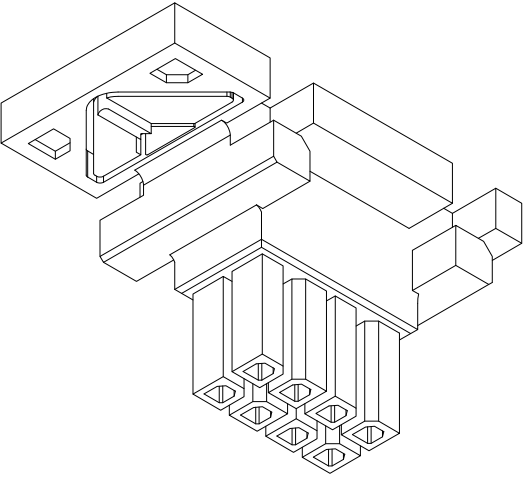
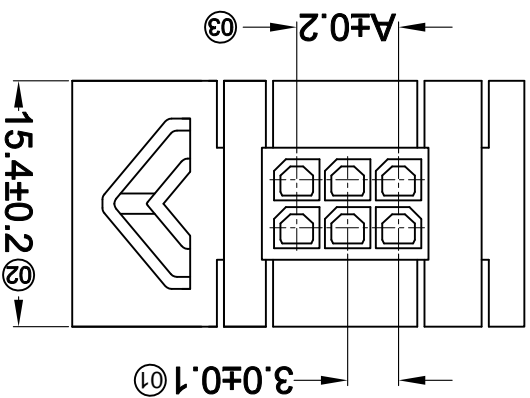
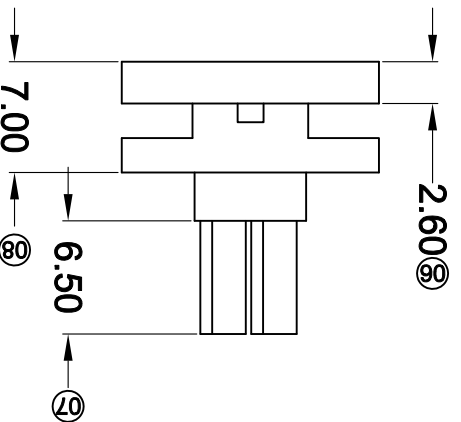
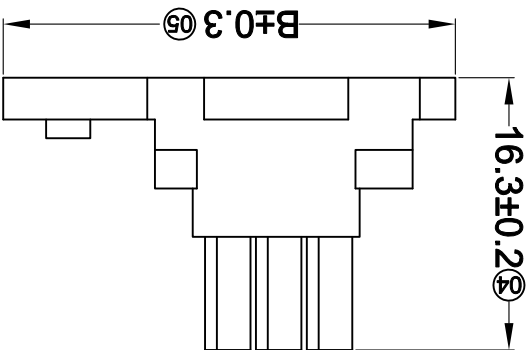


For and on behalf of
KXB INDUSTRIAL PRECISION CO., LIMITED
 香港星坤工業精密有限公司

MARK	DESCRIPTION	DATE	REVISED	APPROVED	UNSPECIFIED TOLERANCES
△ X					L > 63
△ X					16 < L ≤ 63
△ X					4 < L ≤ 16
					L ≤ 4
					ANGULAR
					± 5°

DATE	DATE	DATE	DATE	DATE	DATE
DSND	DWN	CHKD	APPD		
SCALE: N/A	VIEW:	UNIT: mm	SIZE: A4		

WEIGHT	SHEET	REVISION
1.0g	1/1	A0



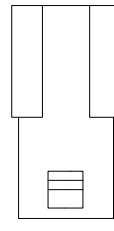
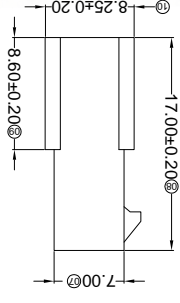
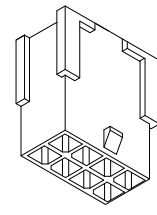
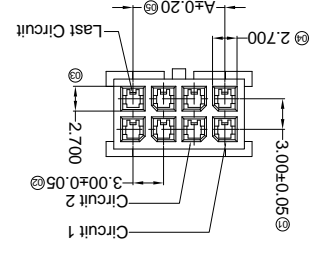
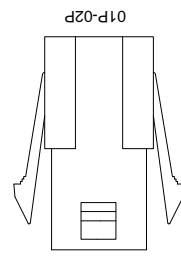
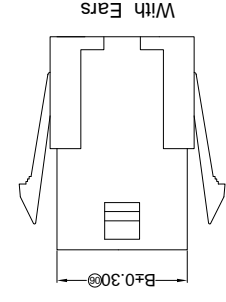
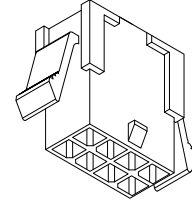
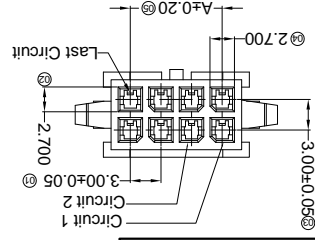
Poles	Dimensions(mm)		Poles	Dimensions(mm)	
	A	B		A	B
2*02	3.00	24.85	2*08	21.00	42.85
2*03	6.00	27.85	2*09	24.00	45.85
2*04	9.00	30.85	2*10	27.00	48.85
2*05	12.00	33.85	2*11	30.00	51.85
2*06	15.00	36.85	2*12	33.00	54.85
2*07	18.00	39.85			

- ① Series No.
- ② Category: H-HSG
- ③ Welding Board Angle: F-Female HSG
- ④ Row No.-Pin No.: 2*XX-2*02P~2*12P
- ⑤ Plug the Pin & special No.: WS-With Base
- ⑥ Material: N2-PA66 94V-2;
- ⑦ Color: Blank-natural color

X3025 H F-2*XX WS-N2 XX

- Specifications :
- Voltage rating: 250V AC / DC
 - Current rating: 5A AC / DC
 - Withstanding voltage: 1500V AC/minute
 - Temperature range: -25°C~+85°C
 - Insulation resistance: ≥1000MΩ
 - Contact resistance: ≤10mΩ
 - After environmental testing: ≤17mΩ

RoHS
Lead-free



For and on behalf of
XKB INDUSTRIAL PRECISION CO., LIMITED
香港星坤工業精密有限公司

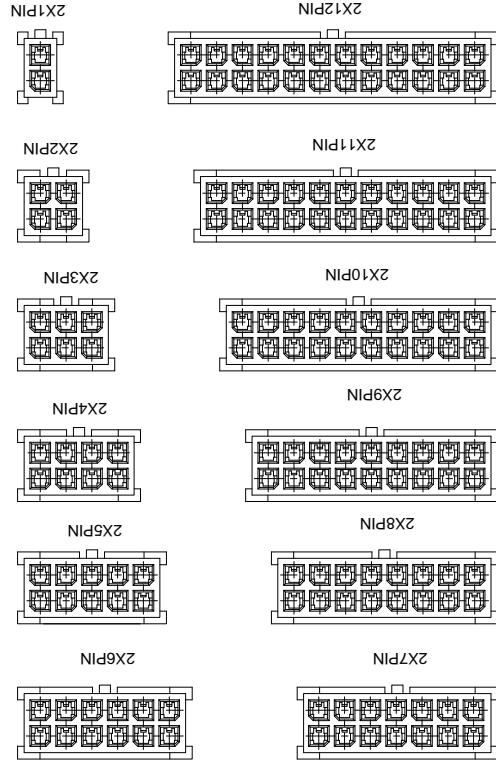
MARK	DESCRIPTION	DATE	REVISED	APPROVED	UNSPECIFIED TOLERANCES
△ X					L > 63 ±0.5
△ X					16 < L ≤ 63 ±0.4
△ X					4 < L ≤ 16 ±0.3
△ X					L ≤ 4 ±0.2
					ANGULAR ±5°

REVISIONS
(Unauthorized Signature)

DSND	DATE	SCALE: N/A	MODEL TYPE: X3025HF-2*XX-N2
DWN	DATE	VIEW:	PART NO.: 3.00 mm Crimp Style Connectors
CHKD	DATE	UNIT: mm	DWG NO.:
APPD	DATE	SIZE: A4	
		WEIGHT	REVISION
		SHEET	A0
		1/1	

PART NO	Material	Suitable SWB Terminal	Mates With XKB Housing	Note
X3025HF-2*XXG-N2	Nylon 66 94V-2	X3025TM	X3025HM	With Ears
X3025HF-2*XXI-N2	Nylon 66 94V-2	X3025TM	X3025HM	Without Ears

Poles	Dimensions(mm)		Poles	Dimensions(mm)	
	A	B		A	B
2*01	18.00	22.00	2*07	4.00	2.00
2*02	3.00	7.00	2*08	7.00	25.00
2*03	6.00	10.00	2*09	10.00	28.00
2*04	9.00	13.00	2*10	13.00	31.00
2*05	12.00	16.00	2*11	16.00	34.00
2*06	15.00	19.00	2*12	19.00	37.00



- Specifications :**
- Voltage rating: 250V AC / DC
 - Current rating: 5A AC / DC
 - Withstanding voltage: 1000V AC/minute
 - Temperature range: -25°C~+85°C
 - Insulation resistance: ≥1000MΩ
 - Contact resistance: ≤10mΩ
 - After environmental testing: ≤20mΩ
- Series No.**
- ① X3025 H F-2*XX XX-N2 XX
- ② ③ ④ ⑤ ⑥ ⑦
- ① Series No.
② Category: H-HSG
③ Welding Board Angle: F-Female HSG
④ Row No.-Pin No.: 2*XX-2*01P-2*12P
⑤ Plug the Pin & special No.: I-Without Ears
⑥ Material: N2-PA66 94V-2;
⑦ Color: Blank-Natural Color

REVISIONS
Authorized Signatures(s)

MARK	DESCRIPTION	DATE	REVISED	APPROVED	UNSPECIFIED TOLERANCES
△ X					L > 63
△ X					16 < L ≤ 63
△ X					4 < L ≤ 16
					L ≤ 4
					ANGULAR

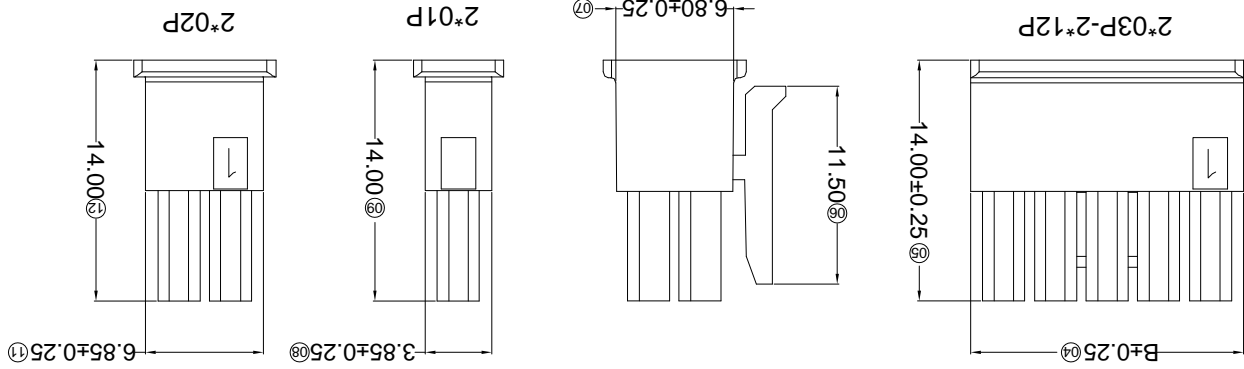
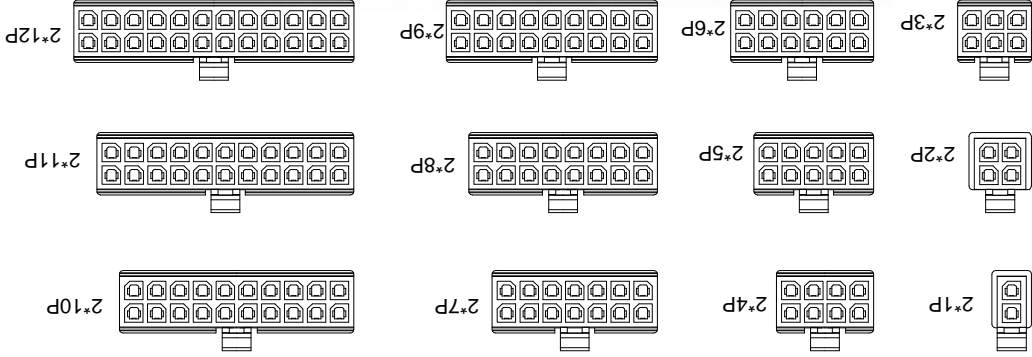
For and on behalf of
KRB INDUSTRIAL PRECISION CO., LIMITED
香港星坤工業精密有限公司

KRB INDUSTRIAL PRECISION CO., LIMITED

MODEL TYPE: X3025HM-2*XX-N2	SCALE: N/A	DATE	DNSD
PART NO.:	VIEW:	DATE	DWN
3.00 mm Crimp Style Connectors	UNIT: mm	DATE	CHKD
SIZE: A4	DATE	DATE	APPD
WEIGHT 1.0g	SHEET 1/1	REVISION A0	

PART NO	Material	Suitable SWB Terminal	PART NO
X3025HM-2*XX-N2	Nylon 66 94V-2	X3025TF	X3025W
Mates With KRB Water			

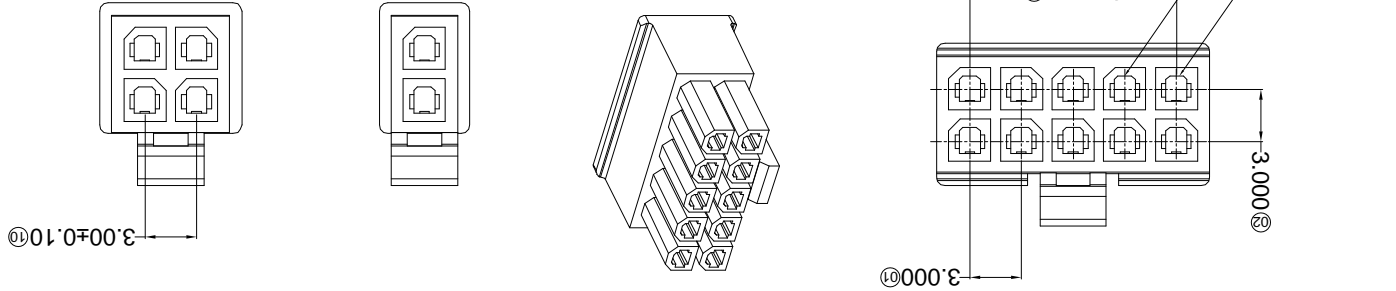
Poles	Dimensions(mm)		Poles	Dimensions(mm)	
	A	B		A	B
2*01	2*07	18.00	2*01	21.85	21.85
2*02	3.00	24.00	2*02	24.85	24.85
2*03	6.00	27.85	2*03	27.85	27.85
2*04	9.00	30.85	2*04	30.85	30.85
2*05	12.00	33.85	2*05	33.85	33.85
2*06	15.00	36.85	2*06	36.85	36.85



- ① Series No.
- ② Category: H-HSG
- ③ Welding Board Angle: M-Male HSG
- ④ Row No.-Pin No.: 2*XX-2*01P~2*12P
- ⑤ Plug the Pin & special No.:
- ⑥ Material: N2-PA66 94V-2;
- ⑦ Color: Blank-Natural Color

X3025 H M-2*XX XX-N2 XX

- Specifications :
- Voltage rating: 250V AC / DC
 - Current rating: 5A AC / DC
 - Withstanding voltage: 1000V AC/minute
 - Temperature range: -25°C~+85°C
 - Insulation resistance: ≥1000MΩ
 - Contact resistance: ≤10mΩ
 - After environmental testing: ≤20mΩ



REVISIONS
Authorized Signature(s)

MARK	DESCRIPTION	DATE	REVISED	APPROVED	UNSPECIFIED TOLERANCES
△ X					L > 63 ± 0.5
△ X					16 < L ≤ 63 ± 0.4
△ X					4 < L ≤ 16 ± 0.3
△ X					L ≤ 4 ± 0.2
					ANGULAR ± 5°

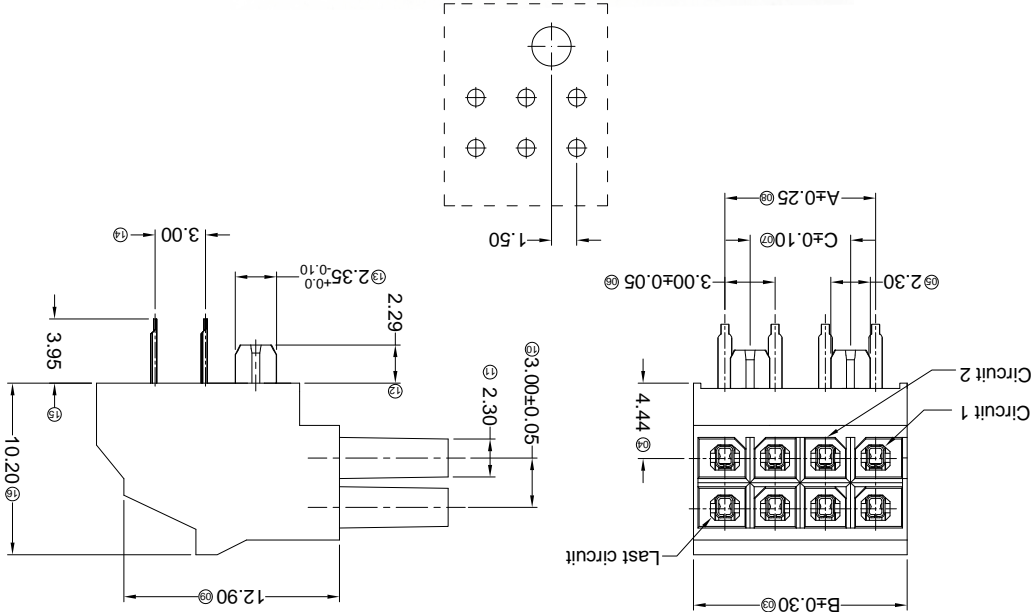
For and on behalf of
XKB INDUSTRIAL PRECISION CO., LIMITED
香港星坤工業精密有限公司

XKB INDUSTRIAL PRECISION CO., LIMITED

WEIGHT	1.0g	REVISION	A0
SHEET	1/1		
SIZE:	A4	DATE	
UNIT:	mm	DATE	
VIEW:		DATE	
SCALE:	N/A	DATE	
MODEL TYPE:	X3025HR-2*XX-LPSN		
PART NO.:			
3.00 mm Crimp Style Connectors			
DWG NO.:			

Part No.	Material	Material(Pin)	Finish(Pin)	Mates With XKB Housing
X3025HR-2*XX-LPSN	LCP UL 94V-0	Brass	Tin-Plated	X3025HW or 3025H

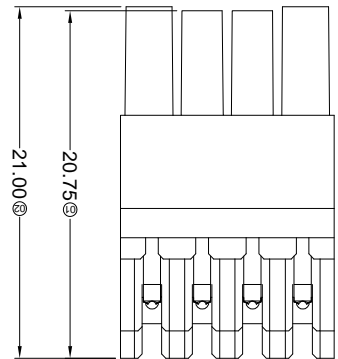
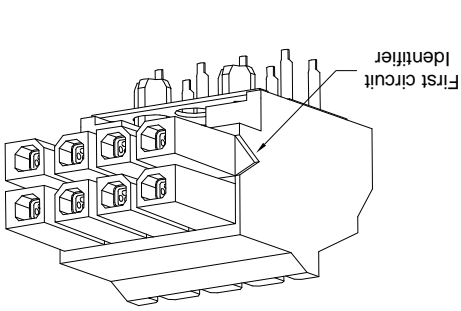
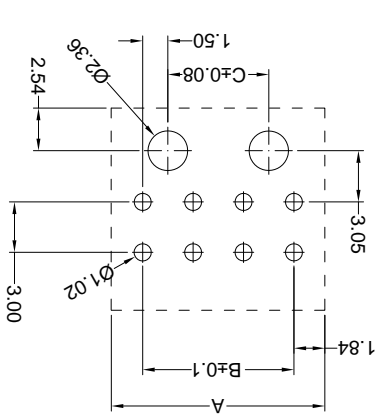
Poles	Dimensions(mm)		
	A	B	C
2'02	3.00	6.70	2'08
2'03	6.00	9.70	2'09
2'04	9.00	12.70	2'10
2'05	12.00	15.70	2'11
2'06	15.00	18.70	2'12
2'07	18.00	21.70	15.00



- ① Series No.
- ② Category: H-HSG
- ③ Welding Board Angle: BOARD-IN-R-90°
- ④ Row No.-Pin No.: 2*XX-2*02P~2*12P
- ⑤ Plug the Pin & special No.:
- ⑥ Material: LP-LCP 94V-0;
- ⑦ Plating Category: SN-Bright tin plating
- ⑧ Color: Blank-Natural Color

X3025 H R-2*XX LP SN XX

- Specifications :
- Voltage rating: 250V AC / DC
- Current rating: 5A AC / DC
- Withstanding voltage: 1000V AC/minute
- Temperature range: -25°C~+85°C
- Insulation resistance: ≥1000MΩ
- Contact resistance: ≤10mΩ
- After environmental testing: ≤20mΩ



For and on behalf of
KRB INDUSTRIAL PRECISION CO., LIMITED
 香港星坤工業精密有限公司

MARK	DESCRIPTION	DATE	REVISIONS	UNSPECIFIED TOLERANCES
△ X				±0.5
△ X				16 < L ≤ 63
△ X				L ≤ 4
△ X				ANGULAR ±5°

MARK	DESCRIPTION	DATE	REVISIONS	UNSPECIFIED TOLERANCES
△ X				±0.5
△ X				16 < L ≤ 63
△ X				L ≤ 4
△ X				ANGULAR ±5°

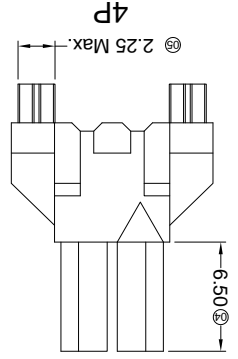
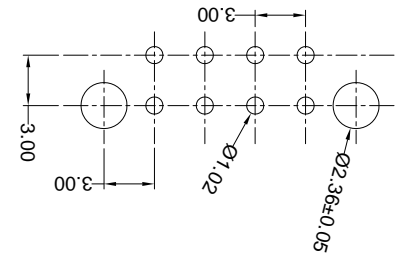
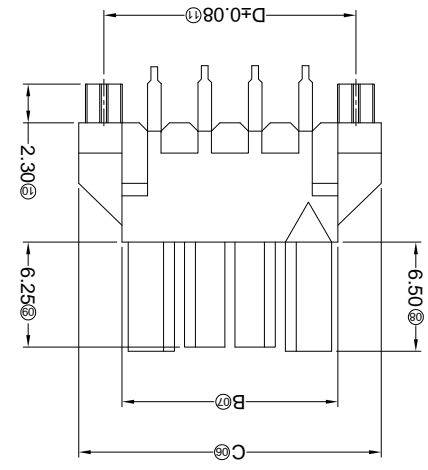
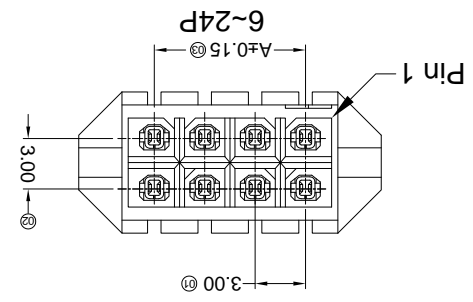
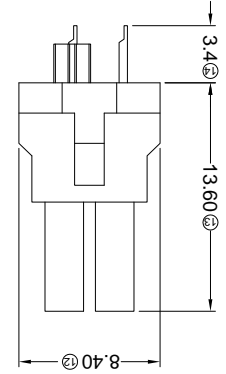
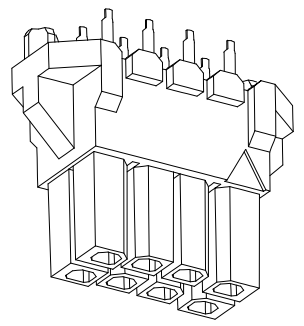
DSND	DATE	SCALE: N/A	MODEL TYPE: X3025HV-2*XX-LPSN
DWN	DATE	VIEW:	PART NO.: 3.00 mm Crimp Style Connectors
CHKD	DATE	UNIT: mm	DWG NO.:
APPD	DATE	SIZE: A4	WEIGHT 1.0g

Part No.	Material	Material(Pin)	Finish(Pin)	Mates With KRB Housing
X3025HV-2*XX-LPSN	LCP UL 94V-0	Brass	Tin-Plated	X3025HW or 3025H

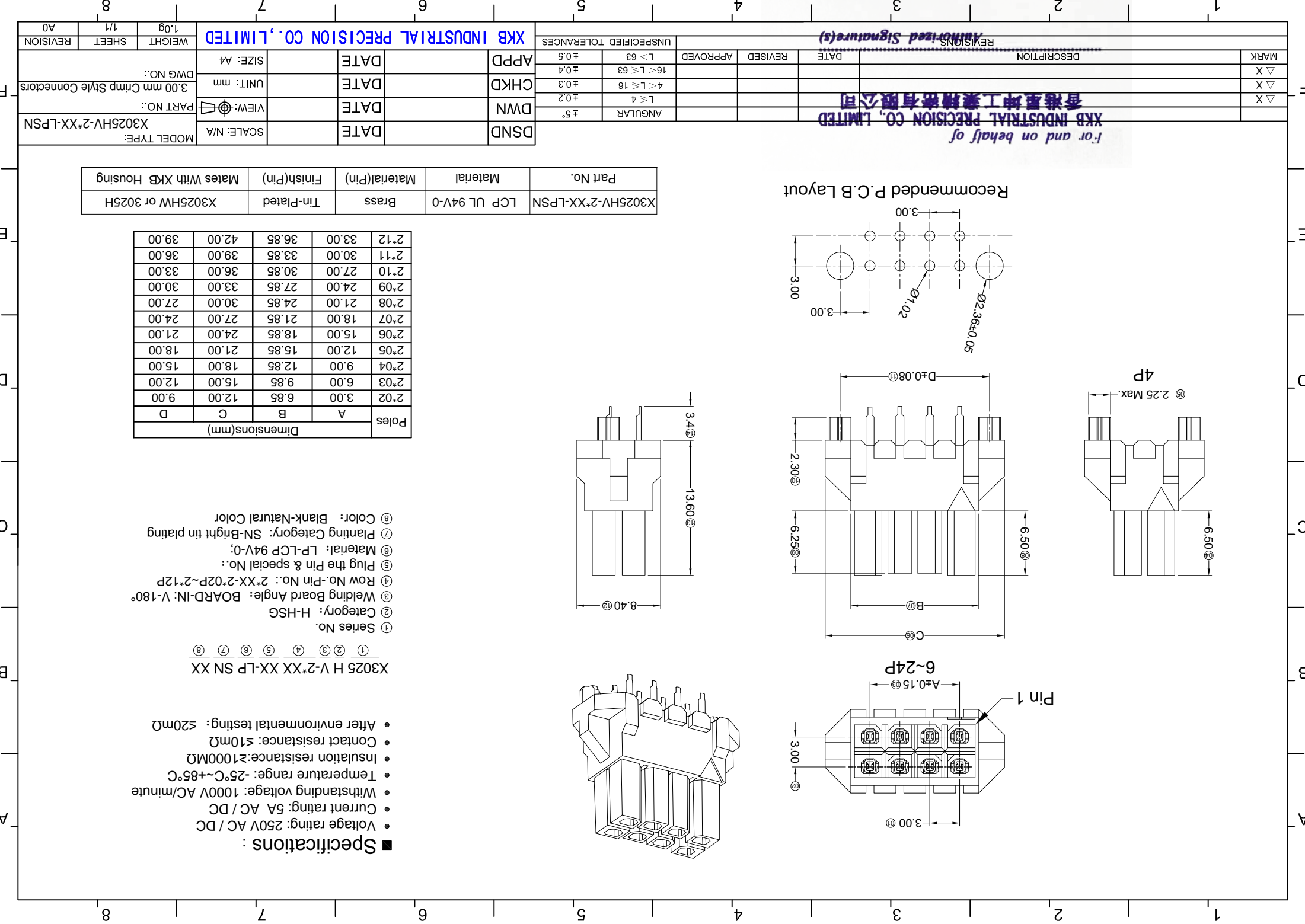
Poles	Dimensions(mm)			
	A	B	C	D
2*02	3.00	6.85	12.00	9.00
2*03	6.00	9.85	15.00	12.00
2*04	9.00	12.85	18.00	15.00
2*05	12.00	15.85	21.00	18.00
2*06	15.00	18.85	24.00	21.00
2*07	18.00	21.85	27.00	24.00
2*08	21.00	24.85	30.00	27.00
2*09	24.00	27.85	33.00	30.00
2*10	27.00	30.85	36.00	33.00
2*11	30.00	33.85	39.00	36.00
2*12	33.00	36.85	42.00	39.00

- ① Series No.
- ② Category: H-HSG
- ③ Welding Board Angle: BOARD-IN: V-180°
- ④ Row No.-Pin No.: 2*XX-2*02P~2*12P
- ⑤ Plug the Pin & special No.:
- ⑥ Material: LP-LCP 94V-0;
- ⑦ Plating Category: SN-Bright tin plating
- ⑧ Color: Blank-Natural Color

- Specifications :**
- Voltage rating: 250V AC / DC
 - Current rating: 5A AC / DC
 - Withstanding voltage: 1000V AC/minute
 - Temperature range: -25°C~+85°C
 - Insulation resistance: ≥1000MΩ
 - Contact resistance: ≤10mΩ
 - After environmental testing: ≤20mΩ



Recommended P.C.B Layout



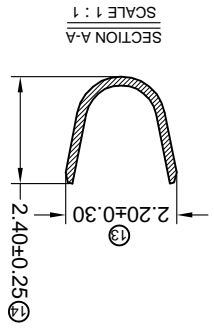
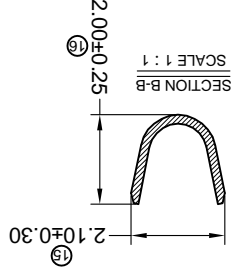
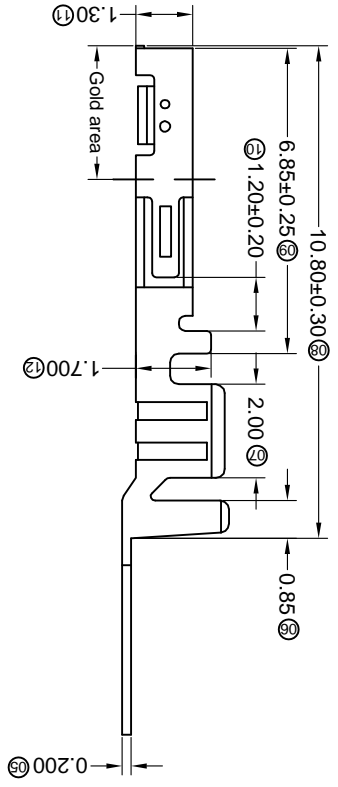
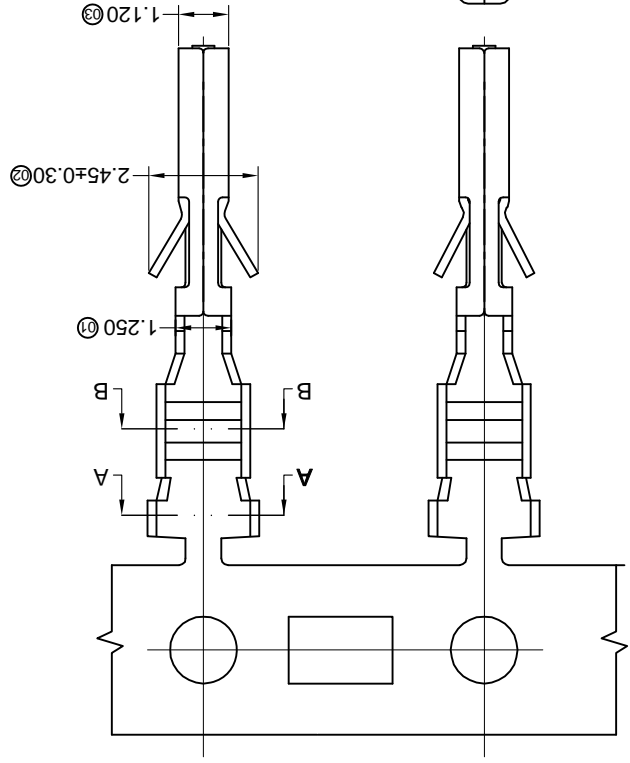
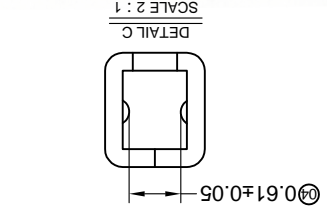
For and on behalf of
XKB INDUSTRIAL PRECISION CO., LIMITED
 香港星坤工業精密有限公司

REVISIONS
 (Unauthorized Signatures)

MARK	DESCRIPTION	DATE	REVISED	APPROVED	UNSPECIFIED TOLERANCES
△ X					L > 63 ± 0.5
△ X					16 > L ≤ 63 ± 0.4
△ X					4 < L ≤ 16 ± 0.3
△ X					L ≤ 4 ± 0.2
					ANGULAR ± 5°

DSND	DATE	SCALE: N/A	MODEL TYPE: X3025TF-PXXX
DWN	DATE	VIEW:	PART NO.:
CHKD	DATE	UNIT: mm	DWG NO.:
APPD	DATE	SIZE: A4	REVISION
			WEIGHT 1.0g
			SHEET 1/1
			REVISION A0

PART NO	Material	Wire Range	Insulation O.D.	Finish	Used in XKB Housing
X3025TF-PG30	Phosphor Bronze	AWG#20-24	1.85mm(Max)	Stamping Before Plating:30~50u" Ni;Contact Area Gold:30u" Min.	X3025HM
X3025TF-PG15				Stamping Before Plating:30~50u" Ni;Contact Area Gold:15u" Min.	
X3025TF-PG01				Stamping Before Plating:30~50u" Ni;Contact Area Gold Flash	
X3025TF-PSN				Stamping Before Plating:30~50u" Ni;70~120u" Sn	



■ Specifications :

- Voltage rating: 250V AC / DC
- Current rating: 5A AC / DC
- Withstanding voltage: 1000V AC/minute
- Temperature range: -40°C~+85°C
- Insulation resistance: ≥1000MΩ
- Contact resistance: ≤10mΩ
- After environmental testing: ≤20mΩ

X3025 T F-P XX X-X

- ① Series Number
- ② Category: T-terminal
- ③ Shape: F-Female Terminal
- ④ Material: P-Phosphor bronze
- ⑤ Plating style:
- ⑥ G-Gold-Plated Contact
- ⑦ *01-Gold Flash *15-15u" *30-30u"
- ⑧ SN-Bright tin plating 70-120u"
- ⑨ Plating method:
- ⑩ Blank-Stamping before plating
- ⑪ Mold No./Mark/Special No.

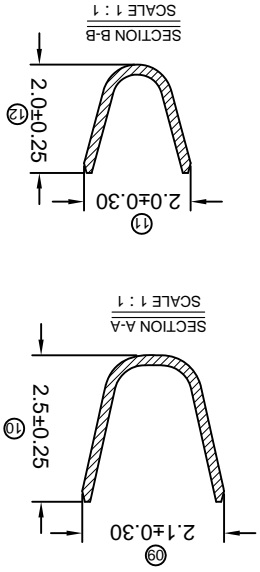
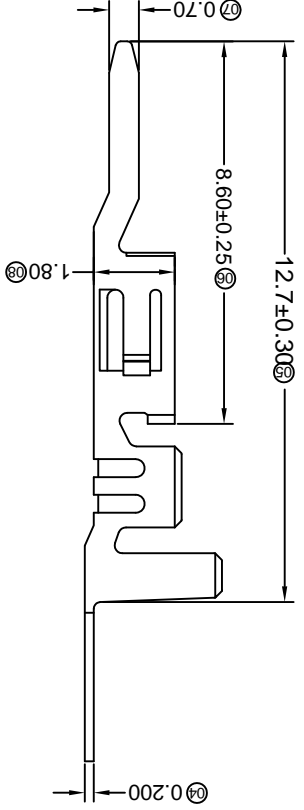
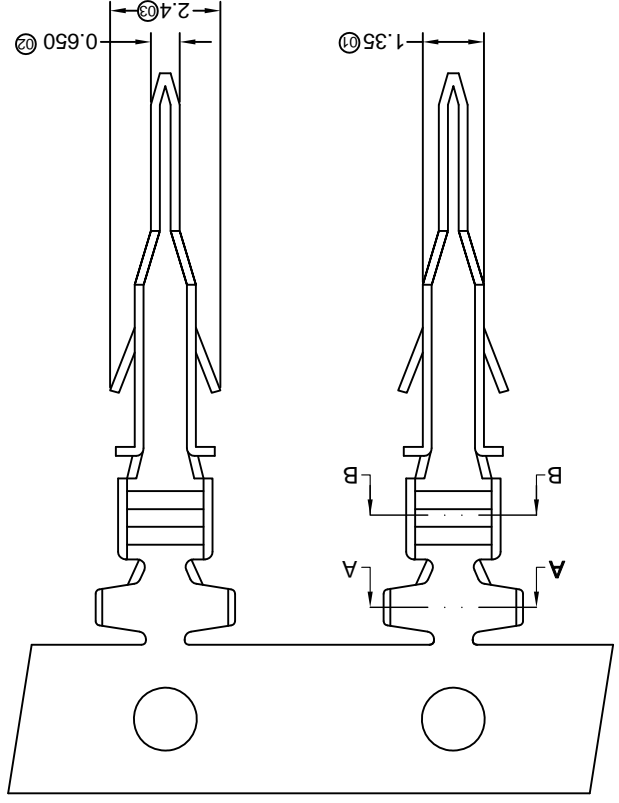
REVISIONS
Authorized Signature(s)

For and on behalf of
XKB INDUSTRIAL PRECISION CO., LIMITED
香港星坤工業精密有限公司

MARK	DESCRIPTION	DATE	REVISED	APPROVED	UNSPECIFIED TOLERANCES
△ X					L > 63
△ X					16 > L ≤ 63
△ X					4 < L ≤ 16
△ X					L ≤ 4
					ANGULAR ± 5°

DATE	SCALE: N/A	MODEL TYPE: X3025TM-PXX
DATE	VIEW:	PART NO.:
DATE	UNIT: mm	DWG NO.:
DATE	SIZE: A4	REVISION
DATE		SHEET
DATE		1/1
DATE		WEIGHT
DATE		1.0g

PART NO	Material	Wire Range	Insulation O.D.	Finish
X3025TM-PSN	Phosphor Bronze	AWG#20-24	1.85mm(Max)	Stamping Before Plating:30u" Ni;70u" Sn
X3025TM-PG01				Stamping Before Plating:30u" Ni>Contact Area Gold Flash
X3025TM-PG15				Stamping Before Plating:30u" Ni>Contact Area Gold:15u" Min.
X3025TM-PG30				Stamping Before Plating:30u" Ni>Contact Area Gold:30u" Min.



- Specifications :**
- Voltage rating: 250V AC / DC
 - Current rating: 5A AC / DC
 - Withstanding voltage: 1000V AC/minute
 - Temperature range: -25°C~+85°C
 - Insulation resistance: ≥1000MΩ
 - Contact resistance: ≤10mΩ
 - After environmental testing: ≤20mΩ
- X3025 T-M-P XX X-X**
- ① Series Number
 - ② Category: T-terminal
 - ③ Shape: M-Male Terminal
 - ④ Material: P-Phosphor bronze
 - ⑤ Plating style: G-Gold-Plated Contact
 - ⑥ Plating method: SN-Bright tin plating 70u"
 - ⑦ *01-Gold Flash *15-15u" *30-30u"
 - ⑧ Mold No./Mark/Special No.

F

E

D

C

B

A

8

7

6

5

4

3

2

1

8

7

6

5

4

3

2

1

For and on behalf of
KKB INDUSTRIAL PRECISION CO., LIMITED
 香港星坤工業精密有限公司

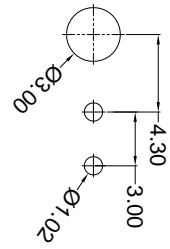
REVISIONS
 Authorized Signatures(s)

MARK	DESCRIPTION	DATE	REVISED	APPROVED	UNSPECIFIED TOLERANCES
△ X					L > 63 ± 0.5
△ X					16 > L ≤ 63 ± 0.4
△ X					4 < L ≤ 16 ± 0.3
					L ≤ 4 ± 0.2
					ANGULAR ± 5°

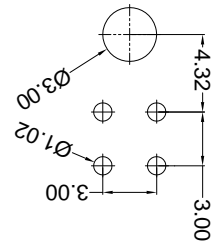
DATE	SCALE: N/A	MODEL TYPE: X3025WR-2*XX-N0XXX	VIEW:	DATE	DATE	DATE	SIZE: A4	WEIGHT: 1.0g	SHEET: 1/1	REVISION: A0
DNSD										
DWN										
CHKD										
APPD										

Part No.	Material	Material(Pin)	Finish(Pin)	Mates With KKB Housing
X3025WR-2*XX-N0S0N	Nylon 66 UL 94V-0	Brass	Tin-Plated	X3025H
X3025WR-2*XX-N0G01	Nylon 66 UL 94V-0	Brass	Contact Gold	

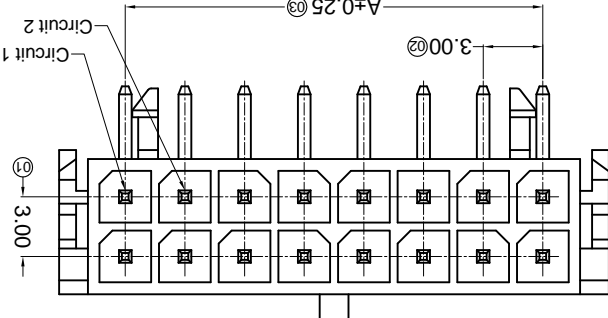
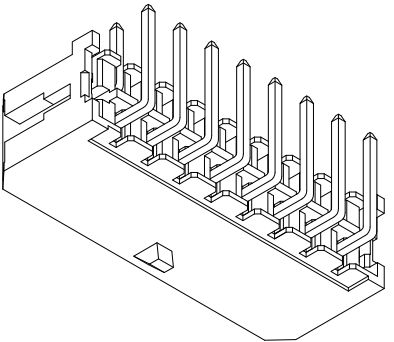
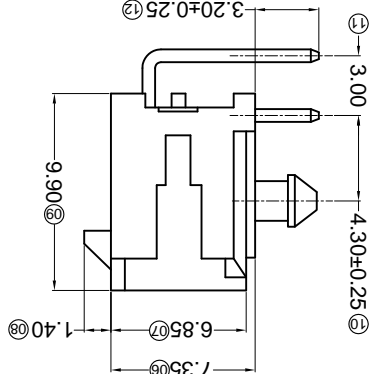
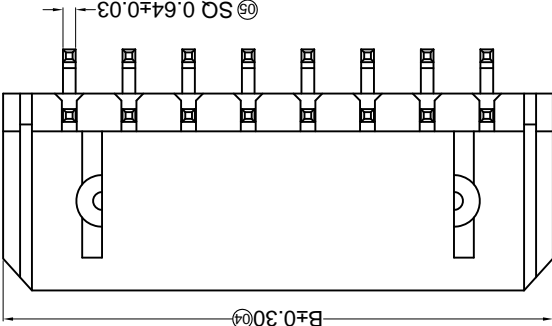
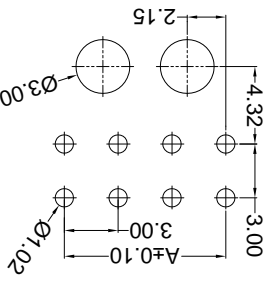
2P P.C.B LAYOUT



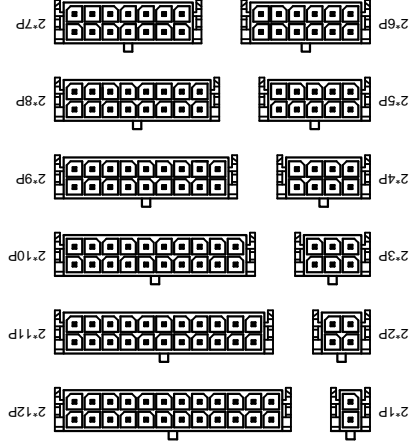
4P-6P P.C.B LAYOUT



8P-24P P.C.B LAYOUT



Scale 1:3



Dimensions (mm)	A	B
2*01	---	6.65
2*02	3.00	9.65
2*03	6.00	12.65
2*04	9.00	15.65
2*05	12.00	18.65
2*06	15.00	21.65
2*07	18.00	24.65
2*08	21.00	27.65
2*09	24.00	30.65
2*10	27.00	33.65
2*11	30.00	36.65
2*12	33.00	39.65

- ① Series No.
- ② Category: W-water
- ③ Welding Board Angle: R-90°
- ④ Welding Way: Blank-DIP
- ⑤ Row No.-Pin No.: 2*XX-2*01P-2*12P
- ⑥ Special NO.:
- ⑦ Material: N0-PA66 94V-0
- ⑧ Plating Category: G01-Contact Gold Flash;
- ⑨ Color: Blank-natural color
- ⑩ SN-Bright tin plating
- ⑪ X3025 WR X-2*XX X-N0 XX XX
- ⑫ ⑬ ⑭ ⑮ ⑯ ⑰ ⑱ ⑲ ⑳ ㉑ ㉒ ㉓ ㉔ ㉕ ㉖ ㉗ ㉘ ㉙ ㉚ ㉛ ㉜ ㉝ ㉞ ㉟ ㊱ ㊲ ㊳ ㊴ ㊵ ㊶ ㊷ ㊸ ㊹ ㊺ ㊻ ㊼ ㊽ ㊾ ㊿

- Specifications:
- Voltage rating: 250V AC / DC
- Current rating: 5A AC / DC
- Withstanding voltage: 1000V AC/minute
- Temperature range: -25°C~+85°C
- Insulation resistance: ≥1000MΩ
- Contact resistance: ≤10mΩ
- After environmental testing: ≤20mΩ

For and on behalf of
KXB INDUSTRIAL PRECISION CO., LIMITED
 香港星坤工業精密有限公司

REVISIONS
 (Authorized Signatures)

MARK	DESCRIPTION	DATE	REVISED	APPROVED	UNSPECIFIED TOLERANCES
△ X					L > 63 ± 0.5
△ X					16 < L ≤ 63 ± 0.4
△ X					4 < L ≤ 16 ± 0.3
△ X					L ≤ 4 ± 0.2
					ANGULAR ± 5°

REVISION	SHEET	WEIGHT	SIZE: A4
A0	1/1	1.0g	

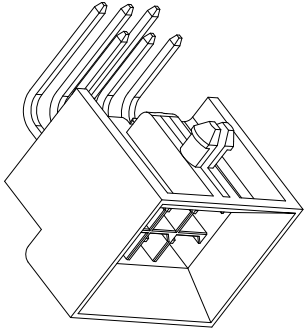
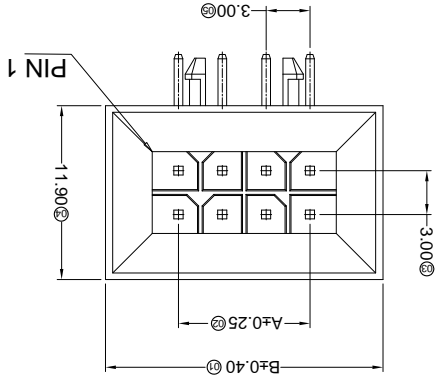
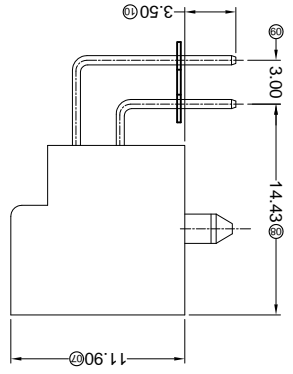
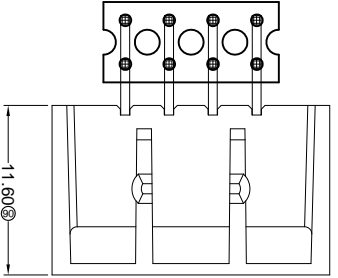
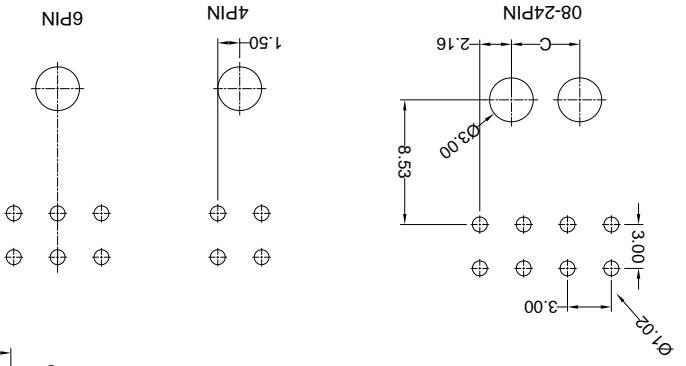
DATE	SCALE: N/A	MODEL TYPE: X3025WR-2*XXH-LPSN

DATE	VIEW:	PART NO.: 3.00 mm Crimp Style Connectors

DATE	UNIT: mm	DWG NO.:

DATE	APPD	CHKD	DWN	DSND

PCB LAYOUT: Component side



Specifications:

- Voltage rating: 250V AC / DC
- Current rating: 5A AC / DC
- Withstanding voltage: 1500V AC/minute
- Temperature range: -25°C~+85°C
- Insulation resistance: ≥1000MΩ
- Contact resistance: ≤10mΩ
- After environmental testing: ≤20mΩ

X3025 WR X-2*XX H-LP SN XX
 ① ② ③ ④ ⑤ ⑥ ⑦ ⑧ ⑨
 ① Series No.
 ② Category: W-water
 ③ Welding Board Angle: R-90°
 ④ Welding Way: Blank-DIP
 ⑤ Row No.-Pin No.: 2*XX-2*01P~2*12P
 ⑥ Special NO.: H-With Base and positioning column
 ⑦ Material: LP-LCP 94V-0
 ⑧ Planting Category: SN-Bright tin plating
 ⑨ Color: Blank-natural color

Poles	Dimensions (mm)		
	A	B	C
2*02	3.00	13.00	2*08
2*03	6.00	16.00	2*09
2*04	9.00	19.00	2*10
2*05	12.00	22.00	2*11
2*06	15.00	25.00	2*12
2*07	18.00	28.00	13.68

Poles	Dimensions (mm)		
	A	B	C
2*02	3.00	31.00	16.68
2*03	6.00	34.00	19.68
2*04	9.00	37.00	22.68
2*05	12.00	40.00	25.68
2*06	15.00	43.00	28.68

Part No.	Material	Material(Pin)	Finish(Pin)	Mates With XKB Housing
X3025WR-2*XXH-LPSN	LCP UL 94V-0	Brass	Tin-Plated	X3025H

REVISIONS
 (Authorized Signatures)

MARK	DESCRIPTION	DATE	REVISED	APPROVED	UNSPECIFIED TOLERANCES
△ X					L > 63 ± 0.5
△ X					16 < L ≤ 63 ± 0.4
△ X					4 < L ≤ 16 ± 0.3
△ X					L ≤ 4 ± 0.2
					ANGULAR ± 5°

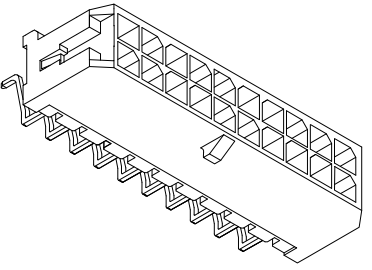
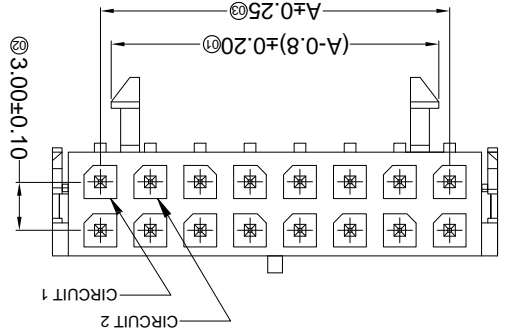
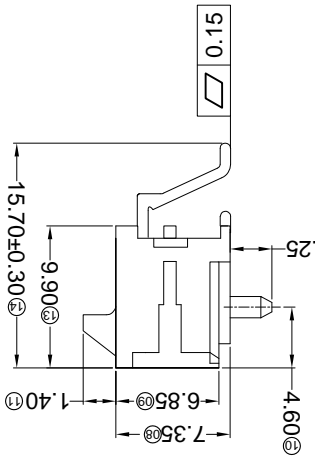
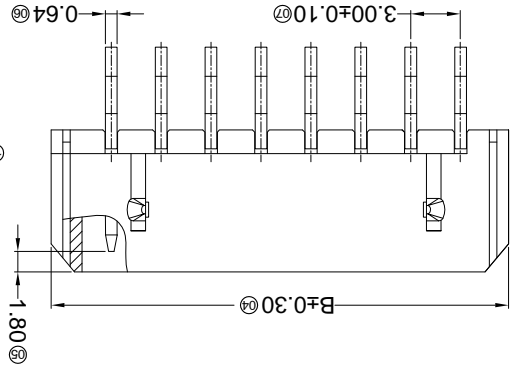
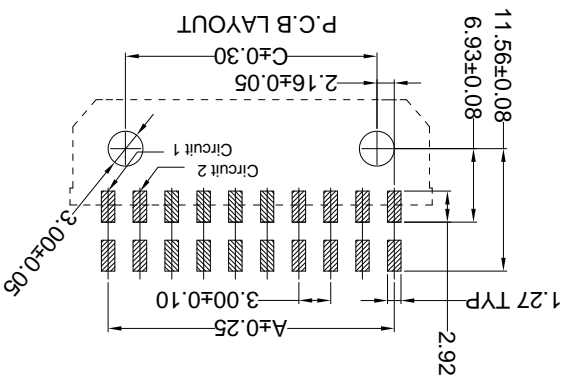
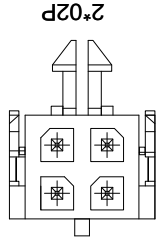
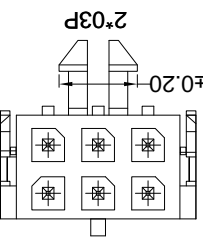
For and on behalf of
 KXB INDUSTRIAL PRECISION CO., LIMITED
 香港星坤工業精密有限公司

KXB INDUSTRIAL PRECISION CO., LIMITED

DATE	SCALE: N/A	MODEL TYPE: X3025WRS-2*XXA-LPXX
DNSD	VIEW:	PART NO.: 3.00 mm Crimp Style Connectors
DWN	UNIT: mm	DWG NO.:
CHKD	DATE	REVISION
APPD	DATE	SHEET
	SIZE: A4	1/1
	WEIGHT	1.0g
	REVISION	A0

PART NO	Material	Material(Pin)	Finish(Pin)	Mates With XKB Housing
X3025WRS-2*XXA-LP5W	LCP UL 94V-0	Brass	Tin-Plated	X3025H
X3025WRS-2*XXA-LP5W	LCP UL 94V-0	Brass	Mate Tin Plating	

Poles	Dimensions (mm)		
	A	B	C
2*01	6.65	6.65	2*07
2*02	3.00	9.65	2*08
2*03	6.00	12.65	2*09
2*04	9.00	15.65	4*07
2*05	12.00	18.65	7*07
2*06	15.00	21.65	10*07
Poles			
Dimensions (mm)			
A	B	C	
33.00	30.00	27.00	
39.65	36.65	33.65	
28.70	25.70	22.70	



- ① Series No.
 ② Category: W-water
 ③ Welding Board Angle: R- Right Angle 90°
 ④ Welding Way: S-SMT
 ⑤ Row No.-Pin No.: 2*XX-2*01P-2*12P
 ⑥ Plug the Pin & Special No.: A-With Post
 ⑦ Material: LP-LCP 94V-0
 ⑧ Planting Category: SN-Bright tin plating
 ⑨ Color: Blank-natural color
 ⑩ SW-Matte Tin plating

- Specifications:
- Voltage rating: 250V AC / DC
 - Current rating: 5A AC / DC
 - Withstanding voltage: 1000V AC/minute
 - Temperature range: -25°C~+85°C
 - Insulation resistance: >1000MΩ
 - Contact resistance: ≤10mΩ
 - After environmental testing: <20mΩ

For and on behalf of
KXB INDUSTRIAL PRECISION CO., LIMITED
 香港星坤工業精密有限公司

REVISIONS
 Authorized Signatures(s)

MARK	DESCRIPTION	DATE	REVISED	APPROVED	UNSPECIFIED TOLERANCES
△ X					L > 63
△ X					16 < L ≤ 63
△ X					4 < L ≤ 16
△ X					L ≤ 4
					ANGULAR
					± 5°
					± 0.2
					± 0.3
					± 0.4
					± 0.5

REVISION	SHEET	WEIGHT	8
A0	1/1	1.0g	

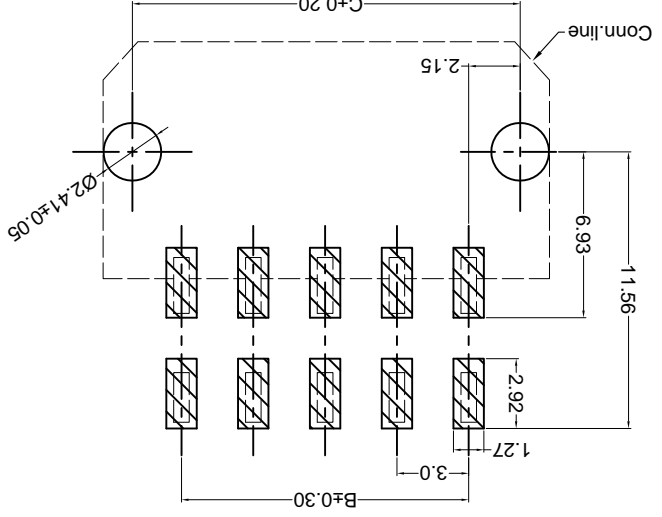
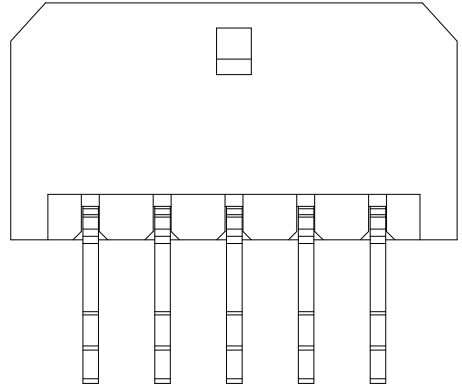
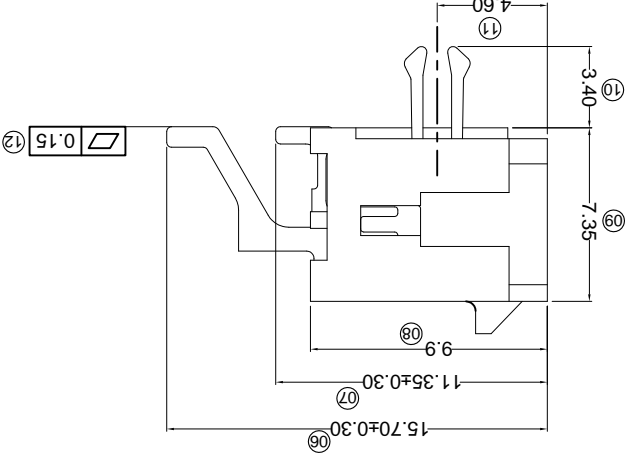
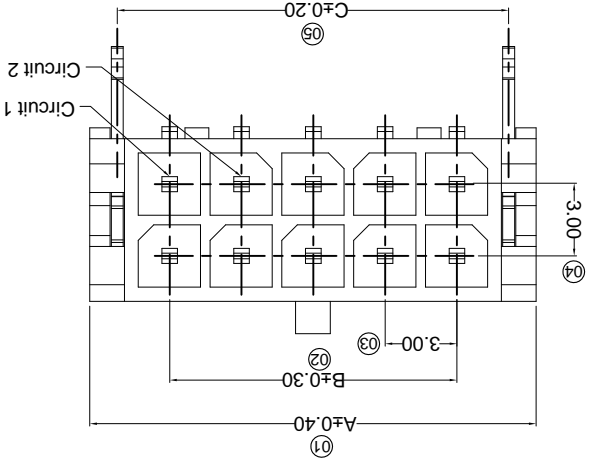
DATE	SCALE: N/A	MODEL TYPE: X3025WRS-2*XXC-XXXX	7

DATE	VIEW:	PART NO.: X3025WRS-2*XXC-XXXX	6

DATE	UNIT: mm	DWG NO.:	5

DATE	SIZE: A4	REVISION	4

PART NO	Material	Material(Pin)	Finish(Pin)	(Solder Tabs) Material	(Solder Tabs) Finish	Mates With XKB Housing
X3025WRS-2*XXC-LPSW	LCP UL 94V-0	Brass	Ni:50u"Min; Sn:120u"Min	Brass	Tin-Plated	X3025H
X3025WRS-2*XXC-LPSN	LCP UL 94V-0					
X3025WRS-2*XXC-NOSN	PA66 UL 94V-0					



- Specifications :
- Voltage rating: 250V AC / DC
 - Current rating: 5A AC / DC
 - Withstanding voltage: 1000V AC/minute
 - Temperature range: -25°C~+85°C
 - Insulation resistance: ≥1000MΩ
 - Contact resistance: ≤10mΩ
 - After environmental testing: ≤20mΩ

X3025 W R S- 2*XX C-XX XX XX
 ① Series No.
 ② Category: W-water
 ③ Welding Board Angle: R-90°
 ④ Welding Way: S-SMT
 ⑤ Row No.-Pin No.: 2*XX-Double row
 ⑥ Special NO.: C-The harpoon
 ⑦ Material: LP-LCP 94V-0
 ⑧ Material: N0-PA66 94V-0
 ⑨ Plating Category:
 SN-Bright tin plating 70u"
 SW-Fog Tin plating
 Color: Blank-natural color

Poles	A	B	C
02	6.65	---	4.20
04	9.65	3.00	7.20
06	12.65	6.00	10.20
08	15.65	9.00	13.20
10	18.65	12.00	16.20
12	21.65	15.00	19.20
14	24.65	18.00	22.20
16	27.65	21.00	25.20
18	30.65	24.00	28.20
20	33.65	27.00	31.20
22	36.65	30.00	34.20
24	39.65	33.00	37.20

Dimensions(mm)

For and on behalf of
XKB INDUSTRIAL PRECISION CO., LIMITED
 香港星坤工業精密有限公司

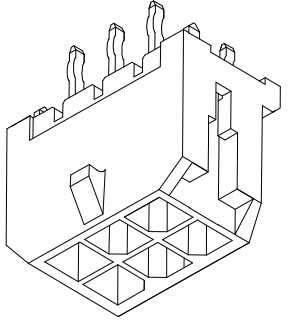
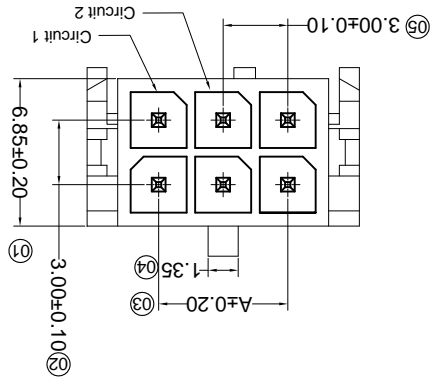
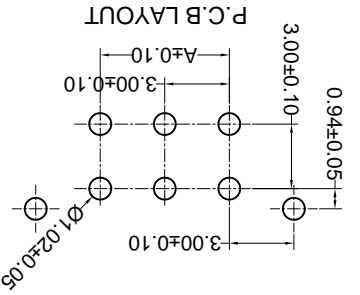
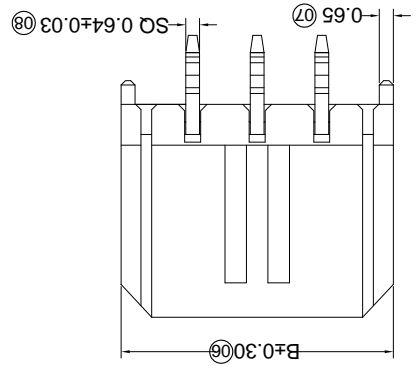
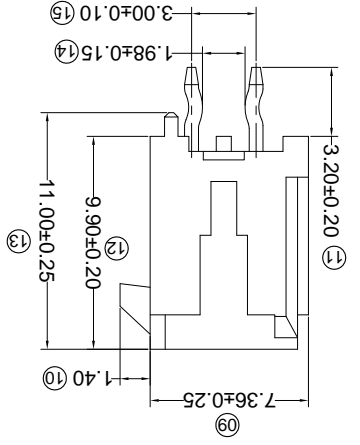
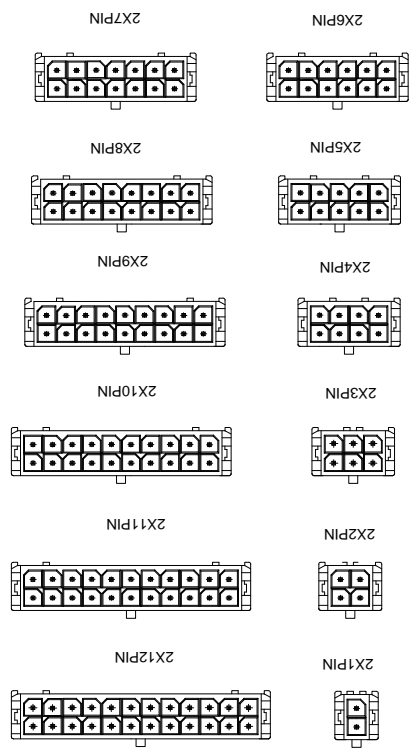
MARK	DESCRIPTION	DATE	REVISED	APPROVED	UNSPECIFIED TOLERANCES
△ X					L > 63 ± 0.5
△ X					16 < L ≤ 63 ± 0.4
△ X					4 < L ≤ 16 ± 0.3
					L ≤ 4 ± 0.2
					ANGULAR ± 5°

REVISIONS	XKB INDUSTRIAL PRECISION CO., LIMITED				
DATE	DATE	DATE	DATE	DATE	DATE
REVISED	REVISED	REVISED	REVISED	REVISED	REVISED
APPROVED	APPROVED	APPROVED	APPROVED	APPROVED	APPROVED
APPD	CHKD	DWN	DNSD	APPD	CHKD
SIZE: A4	UNIT: mm	VIEW:	SCALE: N/A	MODEL TYPE: X3025WV-2*XX-XXXX	PART NO.: 3.00 mm Crimp Style Connectors
WEIGHT 1.0g	SHEET 1/1	REVISION A0			

PART NO	Material	Material(Pin)	Finish(Pin)	Mates With XKB Housing
X3025WV-2*XX-PTSN	PBT UL 94V-0	Brass	Tin-Plated	X3025H
X3025WV-2*XX-46SN	PA46 UL 94V-0			
X025WV-2*XX-N0SN	PA66 UL 94V-0	Gold-Flash		
X3025WV-2*XX-46V01	PA46 UL 94V-0			

Poles	Dimensions (mm)	
	A	B
2*06	15.00	21.65
2*05	12.00	18.65
2*04	9.00	15.65
2*03	6.00	12.65
2*02	3.00	9.65
2*01	---	6.65

Poles	Dimensions (mm)	
	A	B
2*07	18.00	24.65
2*08	21.00	27.65
2*09	24.00	30.65
2*10	27.00	33.65
2*11	30.00	36.65
2*12	33.00	39.65



- Specifications :
- Voltage rating: 250V AC / DC
 - Current rating: 5A AC / DC
 - Withstanding voltage: 1000V AC/minute
 - Temperature range: -25°C~+85°C
 - Insulation resistance: ≥1000MΩ
 - Contact resistance: ≤10mΩ
 - After environmental testing: ≤20mΩ

X3025 W V X-2*XX X-XX XX XX
 ① Series No.
 ② Category: W-WAFER
 ③ Welding Board Angle: V-Straight 180°
 ④ Welding Way: Blank-DIP
 ⑤ Row No.-Pin No.: 2*XX-2*01P~2*22P
 ⑥ Plug the Pin & Special No.:
 ⑦ Material: N0-PA66 94V-0 ; PT-PBT 94V-0 ; 46-PA46 94V-0
 ⑧ Plating Category: SN-Bright Tin Plating; V01-All Gold Flash
 ⑨ Color : Blank-Natural Color

REVISIONS
Authorized Signatures

MARK	DESCRIPTION	DATE	REVISED	APPROVED	UNSPECIFIED TOLERANCES
△ X					L > 63
△ X					16 < L ≤ 63
△ X					4 < L ≤ 16
△ X					L ≤ 4
					ANGULAR
					± 5°

For and on behalf of
XKB INDUSTRIAL PRECISION CO., LIMITED
香港星坤工業精密有限公司

XKB INDUSTRIAL PRECISION CO., LIMITED

WEIGHT	1.0g
SHEET	1/1
REVISION	A0
DATE	
DATE	
DATE	
DATE	
SCALE: N/A	
MODEL TYPE: X3025WV-2*XXCN-LPSN	
PART NO.:	
3.00 mm Crimp Style Connectors	
DWG NO.:	
SIZE: A4	

PART NO	Material	Material(Pin)	Finish(Pin)	Mates With XKB Housing
X3025WV-2*XXCN-LPSN	LCP UL 94V-0	Brass	Tin-Plated	X3025H

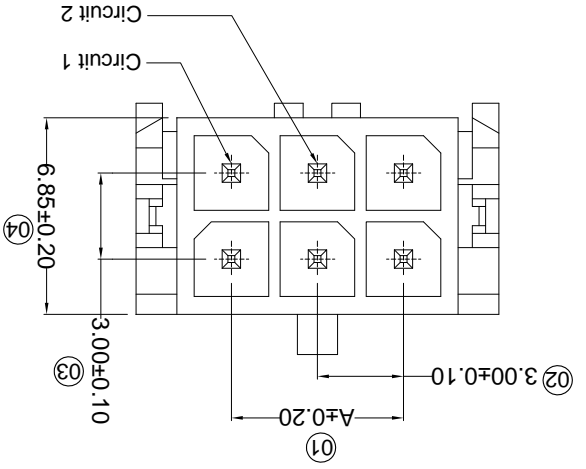
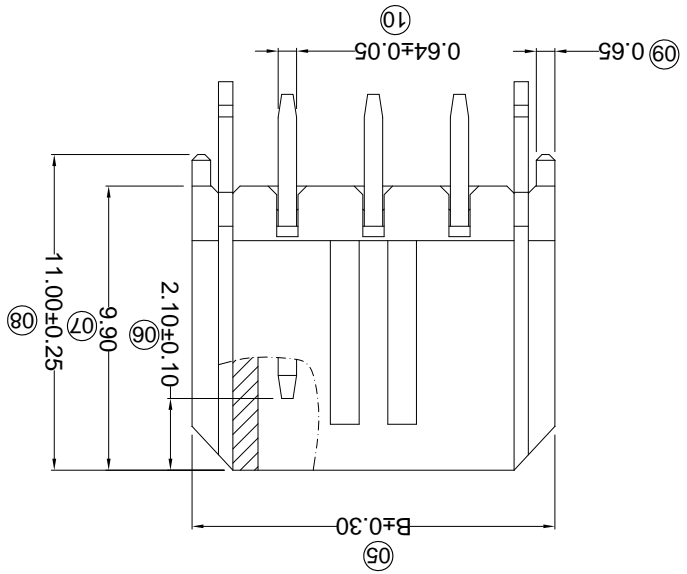
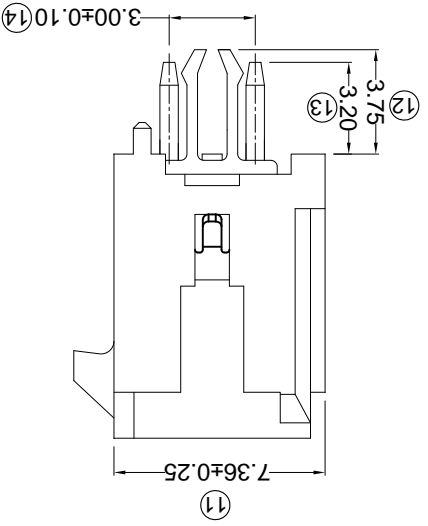
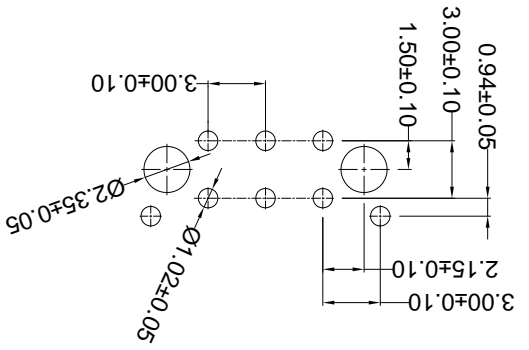
Poles	A	B
02	--	6.65
04	3.00	9.65
06	6.00	12.65
08	9.00	15.65
10	12.00	18.65
12	15.00	21.65
14	18.00	24.65
16	21.00	27.65
18	24.00	30.65
20	27.00	33.65
22	30.00	36.65
24	33.00	39.65

- ① Series No.
- ② Category:
- ③ W-water
- ④ Welding Board Angle:
- ⑤ V-180°
- ⑥ Welding Way:
- ⑦ Blank-DIP
- ⑧ Row No.-Pin No.
- ⑨ 2*XX-Double row
- ⑩ Special NO.
- ⑪ C-The harpoon N-without K the feet
- ⑫ Material:
- ⑬ LP-LCP 94V-0
- ⑭ Planting Category:
- ⑮ V**All Gold-Plated
- ⑯ *01-Gold Flash ; *02-2u" ; *03-3u" ; *05-5u"
- ⑰ *10-10u" ; *15-15u" ; *30-30u" ; *50-50u"
- ⑱ SN-Bright tin plating 70u"
- ⑲ SN1-Bright tin plating 120u"Min. ;
- ⑳ SW-Fog Tin plating
- ㉑ Color:
- ㉒ Blank-natural color

X3025 W V X-2*XX CN-LP SN XX
① ② ③ ④ ⑤ ⑥ ⑦ ⑧ ⑨

- Specifications :
- Voltage rating: 250V AC / DC
 - Current rating: 5A AC / DC
 - Withstanding voltage: 1000V AC/minute
 - Temperature range: -25°C~+85°C
 - Insulation resistance: ≥1000MΩ
 - Contact resistance: ≤10mΩ
 - After environmental testing: ≤20mΩ

P.C.B LAYOUT



For and on behalf of
KXB INDUSTRIAL PRECISION CO., LIMITED
 香港星坤工業精密有限公司

MARK	DESCRIPTION	DATE	REVISED	APPROVED	UNSPECIFIED TOLERANCES
△ X					L > 63
△ X					16 < L ≤ 63
△ X					4 < L ≤ 16
△ X					L ≤ 4
					ANGULAR

REVISIONS	DATE	REVISIONS	DATE	REVISIONS	DATE
APPROVED		REVISED		APPROVED	
CHKD		DATE		DATE	
DWN		DATE		DATE	
DSND		DATE		DATE	

Part No.	X3025WV-2*XXH-LPSN
Material	LCP UL 94V-0
Material(Pin)	Brass
Finish(Pin)	Tin-Plated
Mates With XKB Housing	X3025H

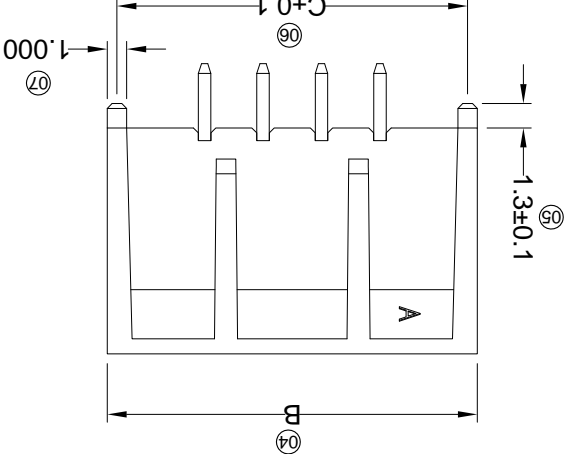
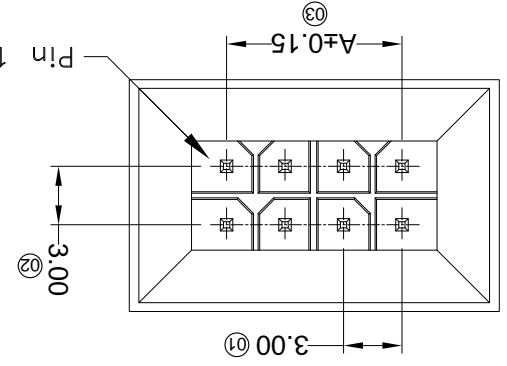
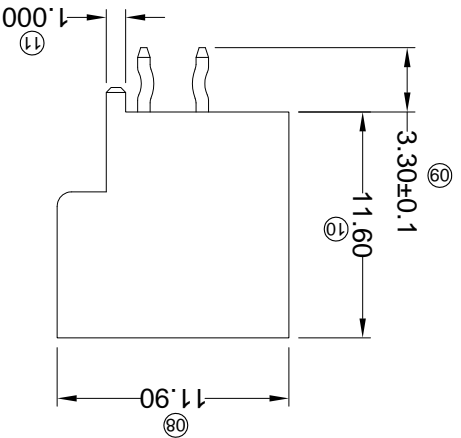
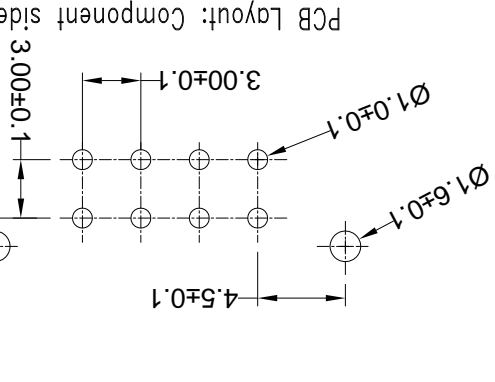
Part No.	Material	Material(Pin)	Finish(Pin)	Tin-Plated	Dimensions (mm)
X3025WV-2*XXH-LPSN	LCP UL 94V-0	Brass	Tin-Plated	X3025H	A 3.00, B 13.00, C 12.00, D 15.00, E 18.00, F 21.00, G 24.00, H 27.00, I 30.00, J 33.00, K 36.00, L 39.00, M 42.00

Part No.	Material	Material(Pin)	Finish(Pin)	Tin-Plated	Dimensions (mm)
X3025WV-2*XXH-LPSN	LCP UL 94V-0	Brass	Tin-Plated	X3025H	A 3.00, B 13.00, C 12.00, D 15.00, E 18.00, F 21.00, G 24.00, H 27.00, I 30.00, J 33.00, K 36.00, L 39.00, M 42.00

Part No.	Material	Material(Pin)	Finish(Pin)	Tin-Plated	Dimensions (mm)
X3025WV-2*XXH-LPSN	LCP UL 94V-0	Brass	Tin-Plated	X3025H	A 3.00, B 13.00, C 12.00, D 15.00, E 18.00, F 21.00, G 24.00, H 27.00, I 30.00, J 33.00, K 36.00, L 39.00, M 42.00

- Specifications :**
- Voltage rating: 250V AC / DC
 - Current rating: 5A AC / DC
 - Withstanding voltage: 1000V AC/minute
 - Temperature range: -25°C~+85°C
 - Insulation resistance: ≥1000MΩ
 - Contact resistance: ≤10mΩ
 - After environmental testing: ≤20mΩ

① Series No.
 ② Category:
 W-water
 ③ Welding Board Angle:
 V-180°
 ④ Welding Way:
 Blank-DIP
 ⑤ Row No.-Pin No.
 2*XX-Double row
 ⑥ Special NO.
 H-Arrange ushering with positioning column
 ⑦ Material:
 LP-LCP 94V-0
 ⑧ Planting Category:
 V*:All Gold-Plated
 G*:Gold-Plated Contact
 *04-Gold Flash ; *02-2u" ; *03-3u" ; *05-5u"
 *10-10u" ; *15-15u" ; *30-30u" ; *50-50u"
 SN-Bright tin plating 70u"
 SN1-Bright tin plating 120u"Min. ;
 SW-Fog Tin plating
 ⑨ Color:
 Blank-natural color



REVISIONS
 Authorized Signatures(s)

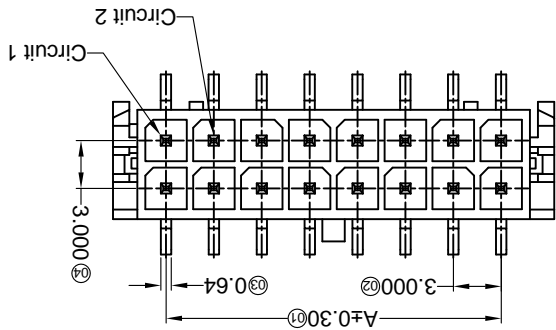
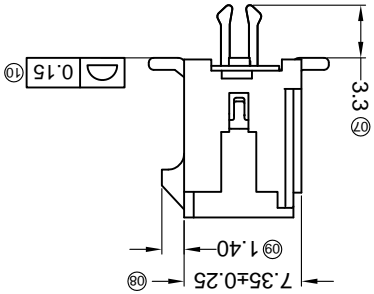
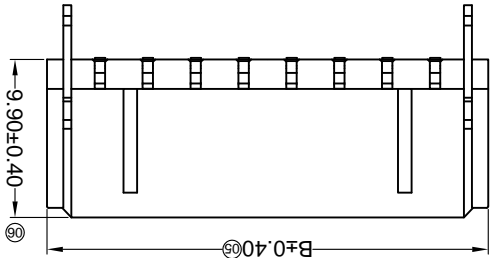
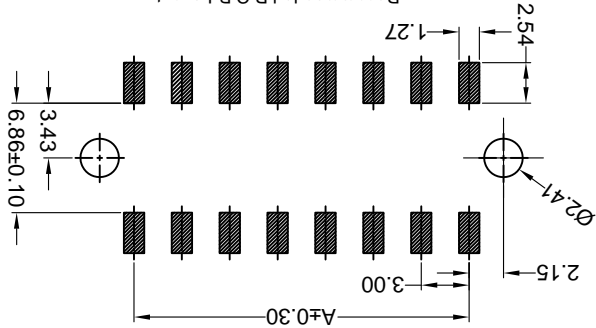
MARK	DESCRIPTION	DATE	REVISED	APPROVED	UNSPECIFIED TOLERANCES
△ X					L > 63 ± 0.5
△ X					16 < L ≤ 63 ± 0.4
△ X					4 < L ≤ 16 ± 0.3
△ X					L ≤ 4 ± 0.2
					ANGULAR ± 5°

For and on behalf of
 XKB INDUSTRIAL PRECISION CO., LIMITED
 香港星坤工業精密有限公司

XKB INDUSTRIAL PRECISION CO., LIMITED

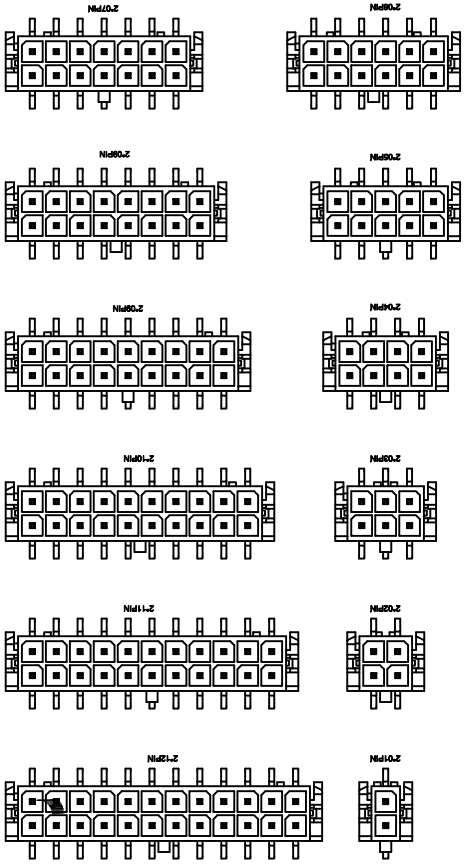
WEIGHT	1.0g	REVISION	A0
SHEET	1/1		
SIZE:	A4	DATE	
UNIT:	mm	DATE	
VIEW:		DATE	
SCALE:	N/A	DATE	
MODEL TYPE:	X3025WVS-2*XXC-LPXX		
PART NO.:			
3.00 mm Crimp Style Connectors			
DWG NO.:			

Recommended P.C.B Layout
 General Tolerance±0.05



PART NO	Material	Material(Pin)	Finish(Pin)	(Solder Tabs) Material	Finish (Solder Tabs)	Mates With XKB Housing
X3025WVS-2*XXC-LPXX	LCP UL 94V-0	Brass	Tin-Plated	Material	Tin-Plated	X3025H
X3025WS-2*XXC-LPXX	LCP UL 94V-0	Brass	Tin-Plated	Material	Tin-Plated	

Poles	Dimensions(mm)		Poles		Dimensions(mm)	
	A	B	A	B	A	B
2*01	---	6.65	2*07	18.00	24.65	39.65
2*02	3.00	9.65	2*08	21.00	27.65	30.65
2*03	6.00	12.65	2*09	24.00	30.65	36.65
2*04	9.00	15.65	2*10	27.00	33.65	39.65
2*05	12.00	18.65	2*11	30.00	36.65	39.65
2*06	15.00	21.65	2*12	33.00	39.65	39.65



- ① Series No.
 ② Category: W-water
 ③ Welding Board Angle: V- Straight 180°
 ④ Welding Way: S-SMT
 ⑤ Row No-Pin No.: 2*XX-2*01P-2*12P
 ⑥ Plug the Pin & Special No.: C-The Harpoon
 ⑦ Material: LP-LCP 94V-0
 ⑧ Plating Category:
 ⑨ SN-Bright tin plating : SW-Matte Tin plating
 ⑩ Color: Blank-Natural color

X3025 W V S-2*XX C-LP XX XX

- Specifications :
- Voltage rating: 250V AC / DC
 - Current rating: 5A AC / DC
 - Withstanding voltage: 1000V AC/minute
 - Temperature range: -25°C~+85°C
 - Insulation resistance: ≥1000MΩ
 - Contact resistance: ≤10mΩ
 - After environmental testing: ≤20mΩ

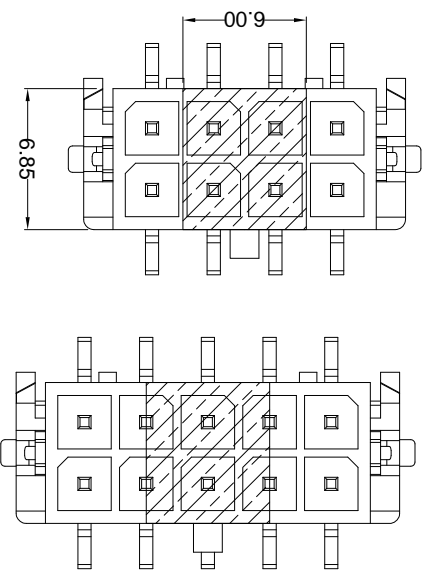
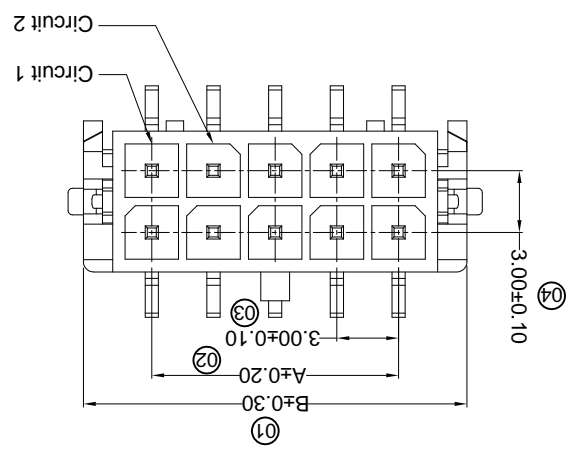
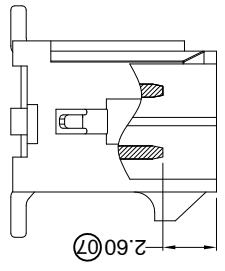
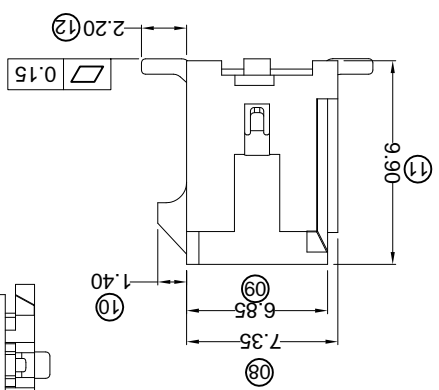
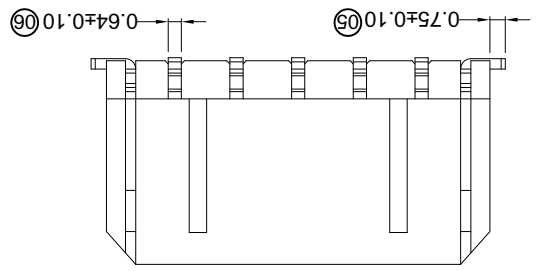
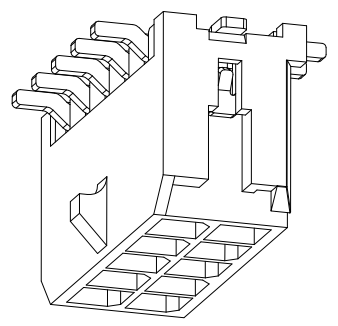
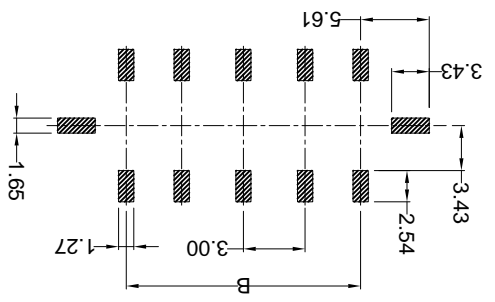
For and on behalf of
KXB INDUSTRIAL PRECISION CO., LIMITED
 香港星坤工業精密有限公司
 Authorized Signatures

MARK	DESCRIPTION	DATE	REVISED	APPROVED	UNSPECIFIED TOLERANCES
△ X					L > 63
△ X					16 < L ≤ 63
△ X					4 < L ≤ 16
					L ≤ 4
					ANGULAR
					± 5°

REVISIONS	DATE	REVISED	APPROVED	UNSPECIFIED TOLERANCES
				L > 63
				16 < L ≤ 63
				4 < L ≤ 16
				L ≤ 4
				ANGULAR
				± 5°

DATE	SCALE: N/A	MODEL TYPE: X3025WVS-2*XXD-LPSW
DATE	VIEW:	PART NO.: 3.00 mm Crimp Style Connectors
DATE	UNIT: mm	DWG NO.:
DATE	SIZE: A4	WEIGHT 1.0g
		SHEET 1/1
		REVISION A0

P.C.B. LAYOUT



Dimensions(mm)	2*01	2*02	2*03	2*04	2*05	2*06
Poles A	---	3.00	6.00	9.00	12.00	15.00
Poles B	6.65	9.65	12.65	15.65	18.65	21.65
Dimensions(mm)	2*07	2*08	2*09	2*10	2*11	2*12
Poles A	18.00	21.00	24.00	27.00	30.00	33.00
Poles B	24.65	27.65	30.65	33.65	36.65	39.65

- ① Series No.
- ② Category: W-water
- ③ Weiding Board Angle: V- Stright 180°
- ④ Weiding Way: S-SMT
- ⑤ Row No.-Pin No.: 2*XX-2*01P-2*12P
- ⑥ Plug the Pin & Special No.: D-Solder Tabs
- ⑦ Material: LP-LCP 94V-0
- ⑧ Planting Category:
- ⑨ SN-Bright tin plating ; SW-Matte Tin plating
- ⑩ Color: Blank-Natural color

X3025 W V S-2*XX D-LP XX XX

- Specifications :
- Voltage rating: 250V AC / DC
 - Current rating: 5A AC / DC
 - Withstanding voltage: 1000V AC/minute
 - Temperature range: -25°C~+85°C
 - Insulation resistance: ≥1000MΩ
 - Contact resistance: ≤10mΩ
 - After environmental testing: ≤20mΩ

X-ON Electronics

Largest Supplier of Electrical and Electronic Components

Click to view similar products for [Headers & Wire Housings](#) category:

Click to view products by [XKB](#) manufacturer:

Other Similar products are found below :

[95000-104TRLF](#) [10135584-644402LF](#) [DF62W-EP2022PCA](#) [95000-106TRLF](#) [DF62W-2022SCA](#) [DF62W-EP2022PC](#) [2203348](#) [DF62W-2022SC](#) [1084018](#) [1029039](#) [1084017](#) [802-10-012-10-002000](#) [1112640](#) [1112639](#) [891-007-9SS-BST1T](#) [000-34000](#) [0008550134](#) [0009482033](#) [0009507031](#) [57102-F02-18ULF](#) [57102-S06-03LF](#) [57202-S52-04LF](#) [PCN6-15S-2.5E](#) [0039019024](#) [58102-G61-06LF](#) [582553-1](#) [0009485154](#) [0009508121](#) [0022285053](#) [0050291907](#) [018731A](#) [LY20-4P-DT1-P1E-BR](#) [02.125.8002.8](#) [60101931](#) [60598-1 \(Cut Strip\)](#) [M1625-3R/100](#) [61062-3](#) [61082-181009](#) [CSU011177004](#) [636-1427](#) [638009-1](#) [641938-9](#) [641991-4](#) [644168-1](#) [644827-2](#) [647662-1](#) [65039-019ELF](#) [65692-001LF](#) [65781-018](#) [65781-047](#)