

For and on behalf of
KXB INDUSTRIAL PRECISION CO., LIMITED
 香港星坤工業精密有限公司

MARK	DESCRIPTION	DATE	REVISED	APPROVED	UNSPECIFIED TOLERANCES
△ X					L > 63
△ X					16 > L ≤ 63
△ X					4 < L ≤ 16
					L ≤ 4
					ANGULAR
					± 5°

REVISIONS	DATE	REVISED	APPROVED	UNSPECIFIED TOLERANCES
				L > 63
				16 > L ≤ 63
				4 < L ≤ 16
				L ≤ 4
				ANGULAR
				± 5°

DATE	SCALE: N/A	MODEL TYPE: X3025WVS-2*XXD-LPSW

DATE	VIEW:	PART NO.: 3.00 mm Crimp Style Connectors

DATE	SCALE: N/A	MODEL TYPE: X3025WVS-2*XXD-LPSW

DATE	VIEW:	PART NO.: 3.00 mm Crimp Style Connectors

DATE	SCALE: N/A	MODEL TYPE: X3025WVS-2*XXD-LPSW

DATE	SCALE: N/A	MODEL TYPE: X3025WVS-2*XXD-LPSW

DATE	SCALE: N/A	MODEL TYPE: X3025WVS-2*XXD-LPSW

DATE	SCALE: N/A	MODEL TYPE: X3025WVS-2*XXD-LPSW

DATE	SCALE: N/A	MODEL TYPE: X3025WVS-2*XXD-LPSW

DATE	SCALE: N/A	MODEL TYPE: X3025WVS-2*XXD-LPSW

DATE	SCALE: N/A	MODEL TYPE: X3025WVS-2*XXD-LPSW

DATE	SCALE: N/A	MODEL TYPE: X3025WVS-2*XXD-LPSW

DATE	SCALE: N/A	MODEL TYPE: X3025WVS-2*XXD-LPSW

DATE	SCALE: N/A	MODEL TYPE: X3025WVS-2*XXD-LPSW

DATE	SCALE: N/A	MODEL TYPE: X3025WVS-2*XXD-LPSW

DATE	SCALE: N/A	MODEL TYPE: X3025WVS-2*XXD-LPSW

DATE	SCALE: N/A	MODEL TYPE: X3025WVS-2*XXD-LPSW

DATE	SCALE: N/A	MODEL TYPE: X3025WVS-2*XXD-LPSW

DATE	SCALE: N/A	MODEL TYPE: X3025WVS-2*XXD-LPSW

DATE	SCALE: N/A	MODEL TYPE: X3025WVS-2*XXD-LPSW

DATE	SCALE: N/A	MODEL TYPE: X3025WVS-2*XXD-LPSW

DATE	SCALE: N/A	MODEL TYPE: X3025WVS-2*XXD-LPSW

DATE	SCALE: N/A	MODEL TYPE: X3025WVS-2*XXD-LPSW

DATE	SCALE: N/A	MODEL TYPE: X3025WVS-2*XXD-LPSW

DATE	SCALE: N/A	MODEL TYPE: X3025WVS-2*XXD-LPSW

DATE	SCALE: N/A	MODEL TYPE: X3025WVS-2*XXD-LPSW

DATE	SCALE: N/A	MODEL TYPE: X3025WVS-2*XXD-LPSW

DATE	SCALE: N/A	MODEL TYPE: X3025WVS-2*XXD-LPSW

DATE	SCALE: N/A	MODEL TYPE: X3025WVS-2*XXD-LPSW

DATE	SCALE: N/A	MODEL TYPE: X3025WVS-2*XXD-LPSW

DATE	SCALE: N/A	MODEL TYPE: X3025WVS-2*XXD-LPSW

DATE	SCALE: N/A	MODEL TYPE: X3025WVS-2*XXD-LPSW

DATE	SCALE: N/A	MODEL TYPE: X3025WVS-2*XXD-LPSW

DATE	SCALE: N/A	MODEL TYPE: X3025WVS-2*XXD-LPSW

DATE	SCALE: N/A	MODEL TYPE: X3025WVS-2*XXD-LPSW

DATE	SCALE: N/A	MODEL TYPE: X3025WVS-2*XXD-LPSW

DATE	SCALE: N/A	MODEL TYPE: X3025WVS-2*XXD-LPSW

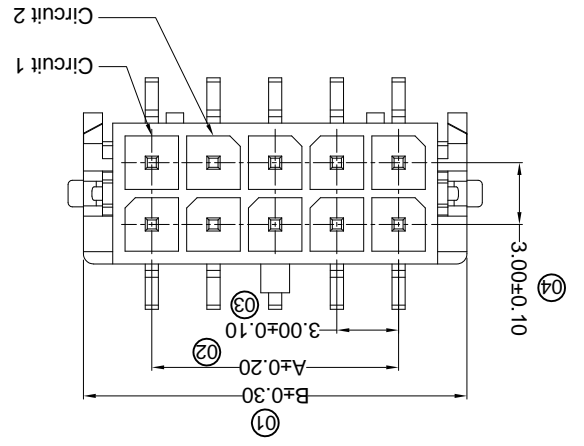
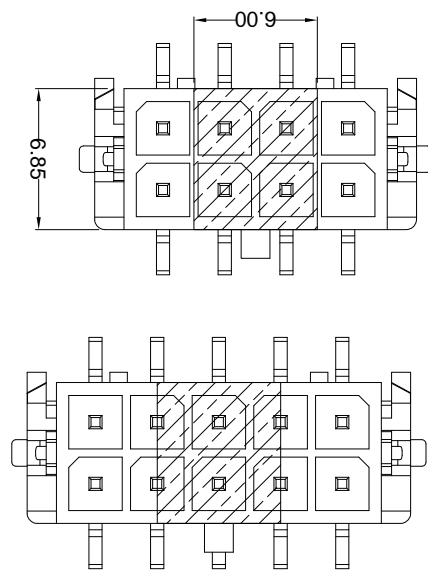
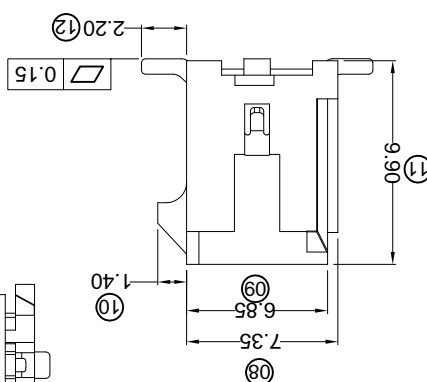
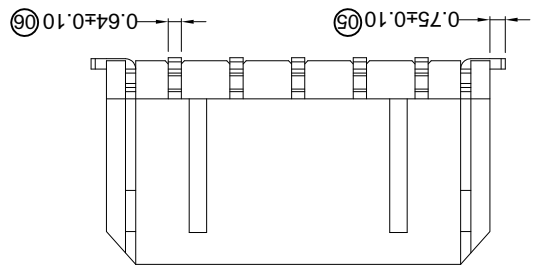
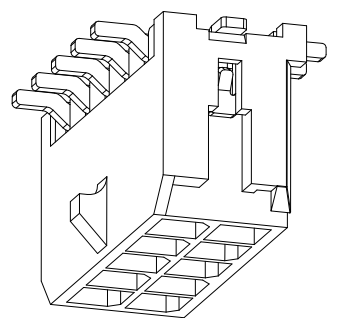
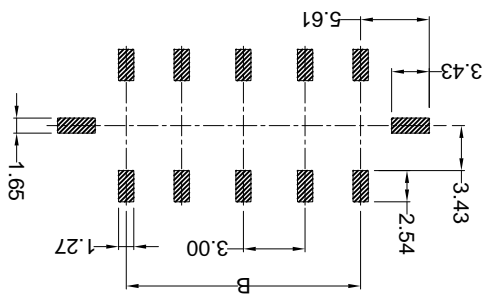
DATE	SCALE: N/A	MODEL TYPE: X3025WVS-2*XXD-LPSW

DATE	SCALE: N/A	MODEL TYPE: X3025WVS-2*XXD-LPSW

DATE	SCALE: N/A	MODEL TYPE: X3025WVS-2*XXD-LPSW

DATE	SCALE: N/A	MODEL TYPE: X3025WVS-2*XXD-LPSW

P.C.B. LAYOUT



- ① Series No.
- ② Category: W-water
- ③ Weiding Board Angle: V- Stright 180°
- ④ Weiding Way: S-SMT
- ⑤ Row No.-Pin No.: 2*XX-2*01P-2*12P
- ⑥ Plug the Pin & Special No.: D-Solder Tabs
- ⑦ Material: LP-LCP 94V-0
- ⑧ Planting Category:
- ⑨ SN-Bright tin plating ; SW-Matte Tin plating
- ⑩ Color: Blank-Natural color

- Specifications :
- Voltage rating: 250V AC / DC
 - Current rating: 5A AC / DC
 - Withstanding voltage: 1000V AC/minute
 - Temperature range: -25°C~+85°C
 - Insulation resistance: ≥1000MΩ
 - Contact resistance: ≤10mΩ
 - After environmental testing: ≤20mΩ

X3025 W V S-2*XX D-LP XX XX

① ② ③ ④ ⑤ ⑥ ⑦ ⑧ ⑨ ⑩

X-ON Electronics

Largest Supplier of Electrical and Electronic Components

Click to view similar products for [Headers & Wire Housings](#) category:

Click to view products by [XKB](#) manufacturer:

Other Similar products are found below :

[95000-104TRLF](#) [10135584-644402LF](#) [DF62W-EP2022PCA](#) [95000-106TRLF](#) [DF62W-2022SCA](#) [DF62W-EP2022PC](#) [2203348](#) [DF62W-2022SC](#) [1084018](#) [1029039](#) [1084017](#) [802-10-012-10-002000](#) [1112640](#) [1112639](#) [891-007-9SS-BST1T](#) [000-34000](#) [0008550134](#) [0009482033](#) [0009507031](#) [57102-F02-18ULF](#) [57102-S06-03LF](#) [57202-S52-04LF](#) [PCN6-15S-2.5E](#) [0039019024](#) [58102-G61-06LF](#) [582553-1](#) [0009485154](#) [0009508121](#) [0022285053](#) [0050291907](#) [018731A](#) [LY20-4P-DT1-P1E-BR](#) [02.125.8002.8](#) [60101931](#) [60598-1 \(Cut Strip\)](#) [M1625-3R/100](#) [61062-3](#) [61082-181009](#) [CSU011177004](#) [636-1427](#) [638009-1](#) [641938-9](#) [641991-4](#) [644168-1](#) [644827-2](#) [647662-1](#) [65039-019ELF](#) [65692-001LF](#) [65781-018](#) [65781-047](#)