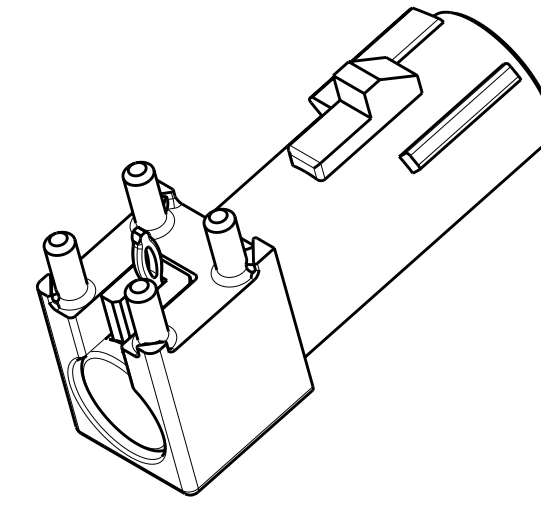
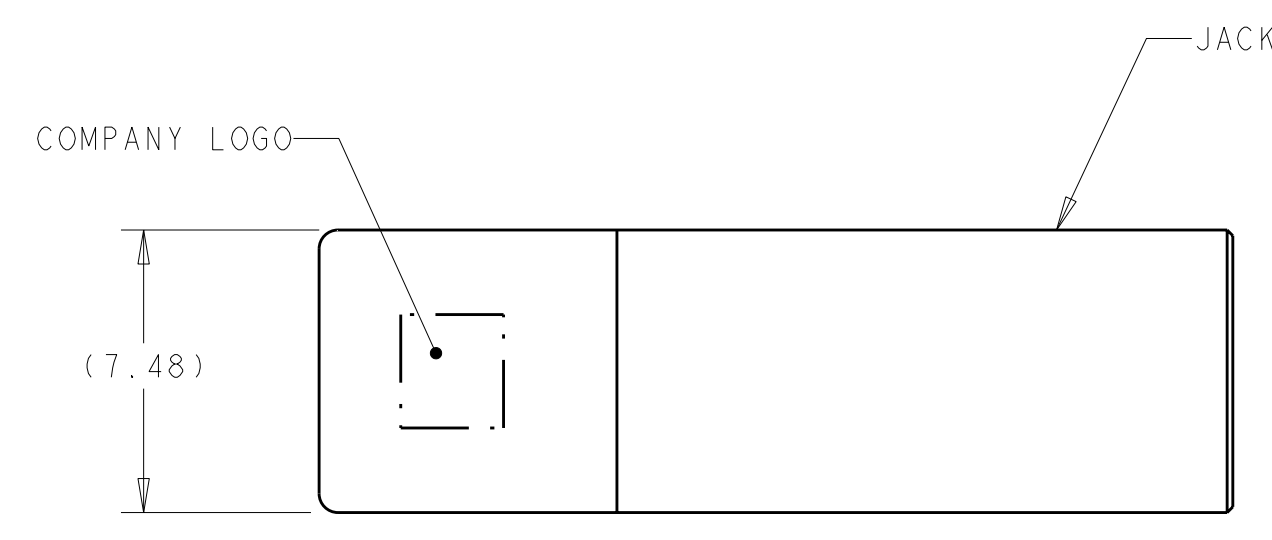
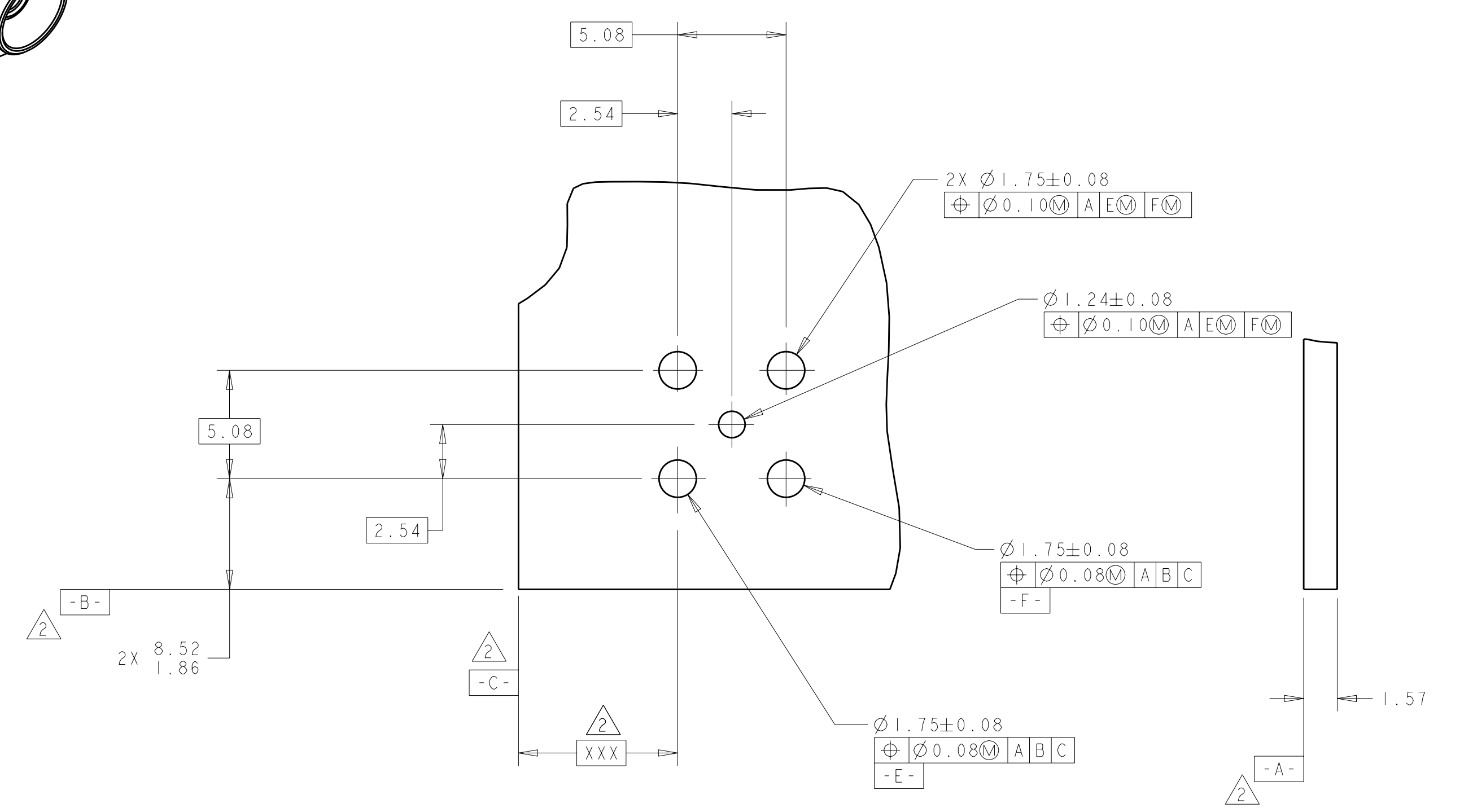
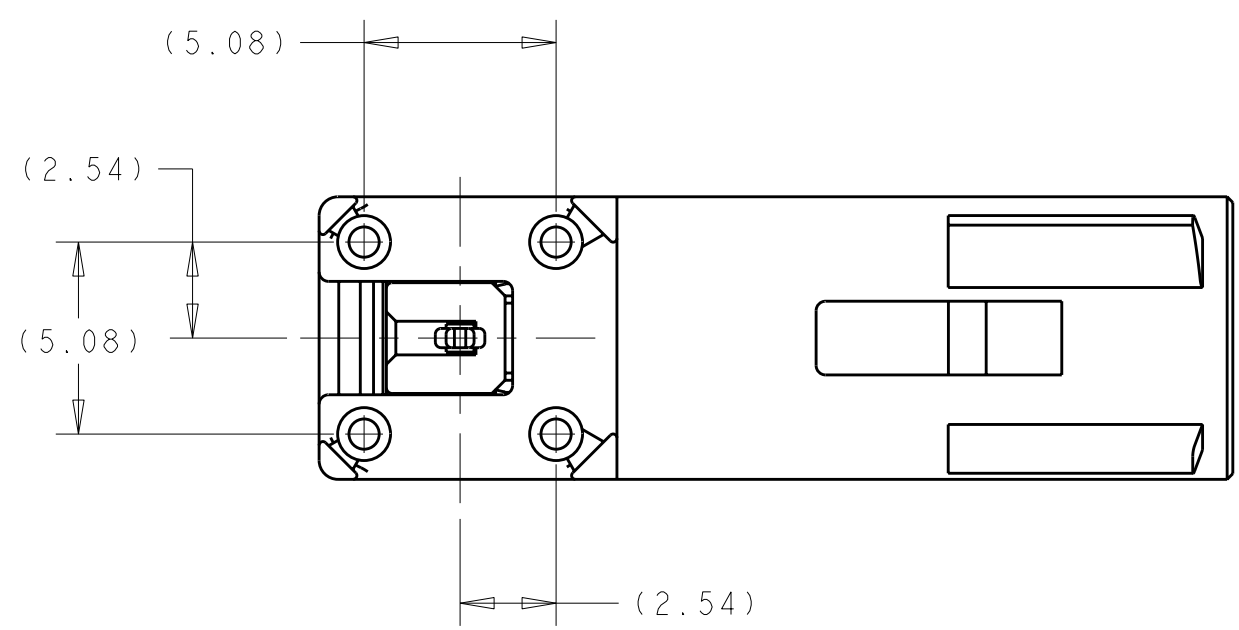
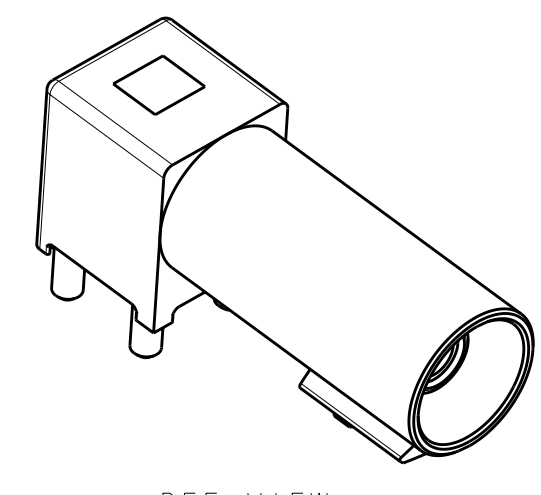
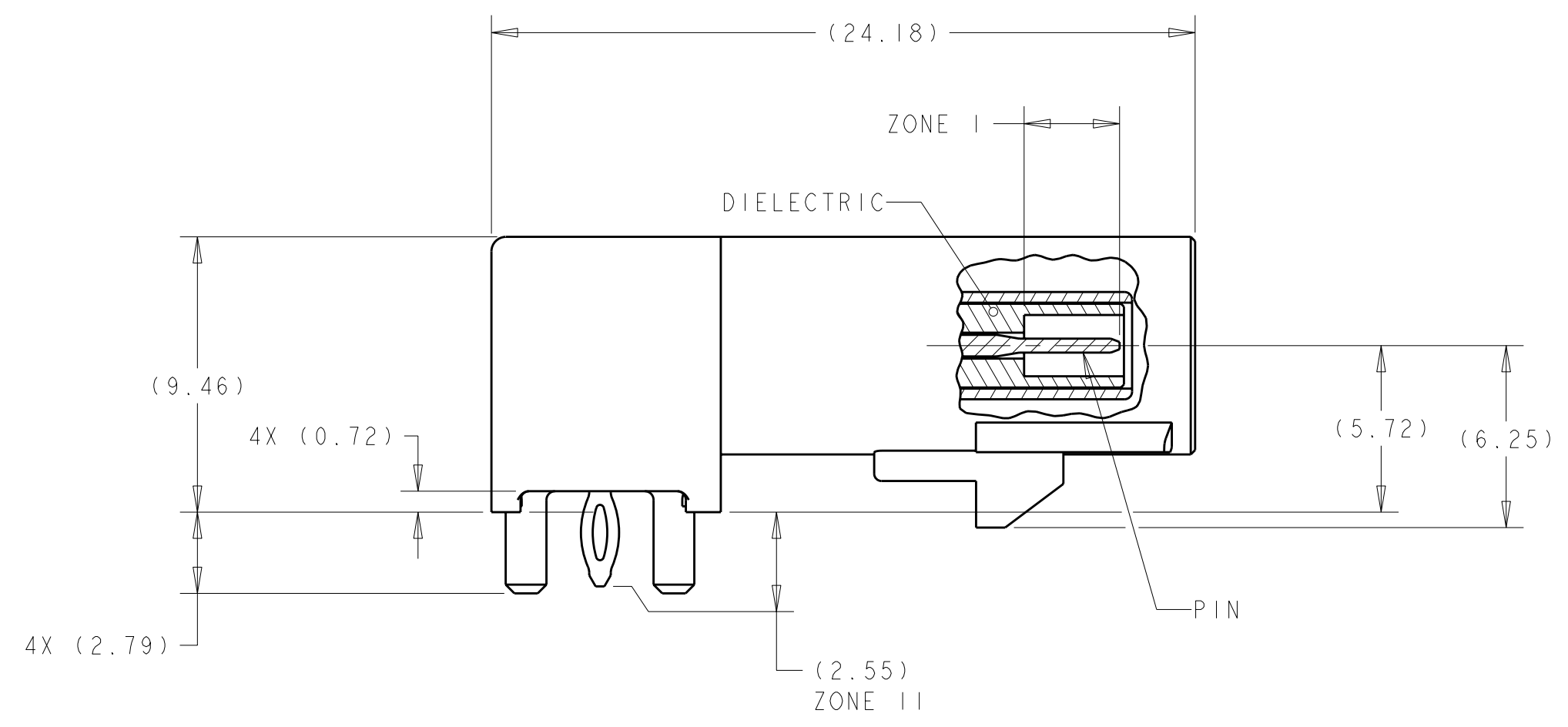
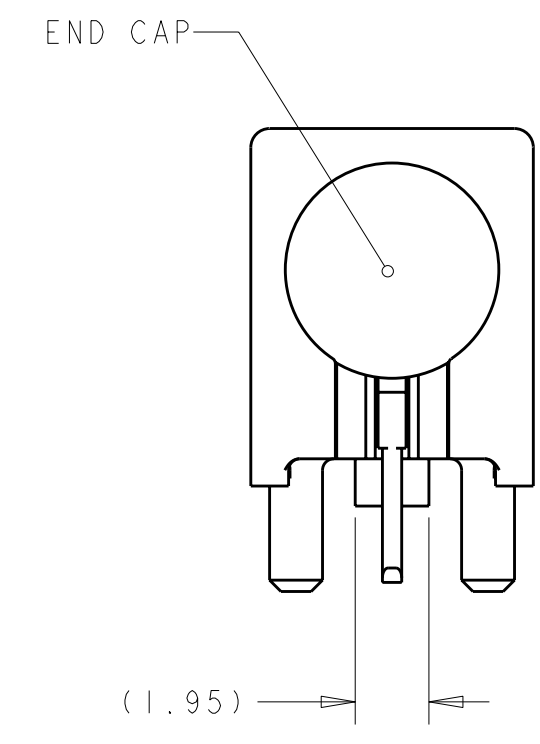


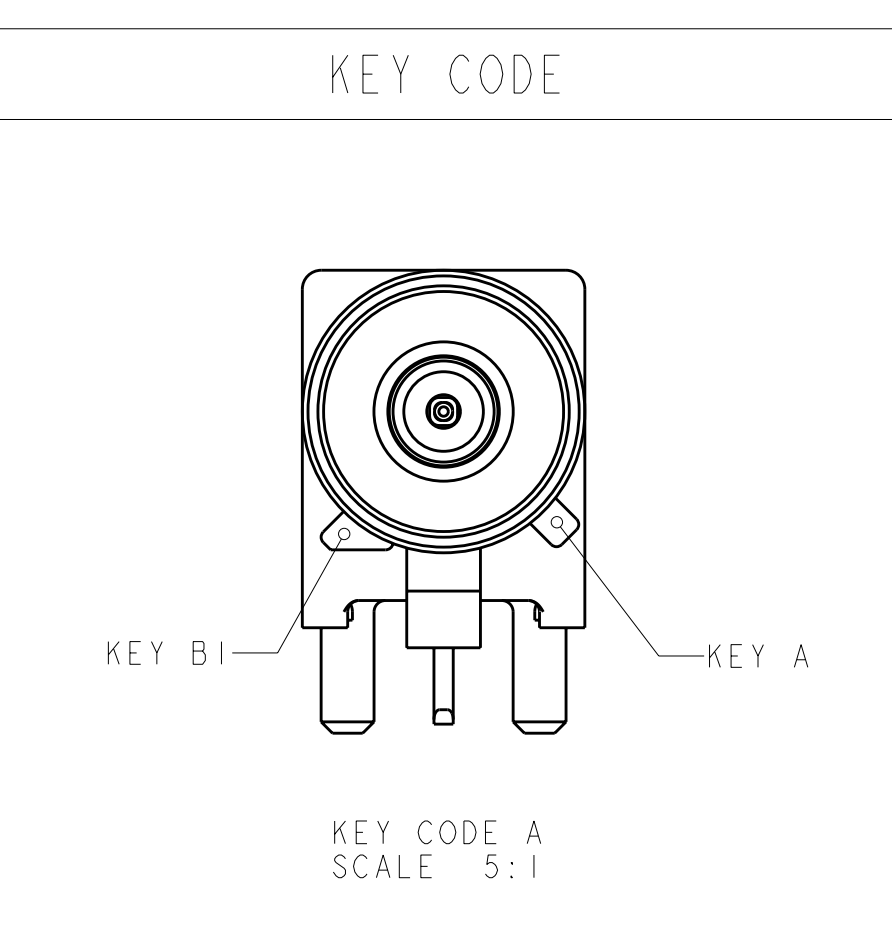
LOC	DIST	REV	DATE	BY	CHK	APVD
FX	00					
REVISIONS						
REV	DATE	DESCRIPTION	DATE	BY	CHK	APVD
D	25APR2007	REVISED PER ECR-07-006019		AH		LLV
D1	30JUN2010	REVISED PER ECO-10-013661		DLD		LLV



- △ MATERIAL:
 JACK AND END CAP: ZINC
 PIN: BRASS
 DIELECTRIC: PCT, JET BLACK
- △ DATUMS AND DIMENSION ESTABLISHED BY CUSTOMER RELATIVE TO LOCATION ON PCB.
- 3. JACK INTERFACE PER SAE/USCAR-18, FAKRA SMB RF CONNECTOR SUPPLEMENT)
- △ FINISH:
 JACK: 2.0µm MIN THICK TIN OVER 1.52µm MIN NICKEL OVER COPPER FLASH
 PIN: 0.76µm MIN GOLD IN ZONE I, 2.5µm MIN TIN IN ZONE II
 ALL OVER 2.0µm MIN NICKEL
 END CAP: 2.54µm MINIMUM BRIGHT TIN OVER MATTE COPPER FLASH



RECOMMENDED PC BOARD
 LAYOUT
 SCALE 5:1



JET BLACK	A	1456944-1
KEY CODE COLOR	KEY CODE (SEE TABLE)	PART NUMBER

DIMENSIONS: mm 9 PLC ± 1 PLC ± 2 PLC ± 3 PLC ± 4 PLC ± ANGLES ±		TOLERANCES UNLESS OTHERWISE SPECIFIED: 9 PLC ± 1 PLC ± 2 PLC ± 3 PLC ± 4 PLC ± ANGLES ±		DWN R. VESTAL 07AUG2006 CHK L. VARSIK 07AUG2006 APVD L. VARSIK 07AUG2006		Tyco Electronics Harrisburg, PA 17105-3608	
MATERIAL: △ FINISH: △				PRODUCT SPEC APPLICATION SPEC		NAME JACK ASSEMBLY, KEY A, FAKRA PCB	
CUSTOMER DRAWING				SIZE: 114-13161 WEIGHT: - SCALE: 5:1		RESTRICTED TO SHEET 1 OF 1 REV D1	

X-ON Electronics

Largest Supplier of Electrical and Electronic Components

Click to view similar products for [RF Connectors / Coaxial Connectors](#) category:

Click to view products by [TE Connectivity](#) manufacturer:

Other Similar products are found below :

[R125315120](#) [8915-1511-000](#) [89674-0827](#) [5916-1103-603](#) [0106-001-000](#) [6-0001-3](#) [6001-7071-019](#) [6002-7051-003](#) [6002-7551-202](#) [6059674-1](#) [619550-1](#) [630059-000](#) [M39012/25-0021](#) [M39012/79-3008](#) [M39030/3-01N](#) [M39030/3-03N](#) [M3933/25-29N](#) [M3933/25-36N](#) [6500-7071-046](#) [6501-1071-002](#) [M83723/72W24576](#) [M83723/72W2457N](#) [6769](#) [CX050L2AQ](#) [7002-1541-010](#) [7003-1572-002](#) [7004-1512-000](#) [7009-1511-004](#) [7010-1511-000](#) [7029-1511-060](#) [7101-1541-010](#) [7101-1571-002](#) [7105-1521-002](#) [7145-1521-002](#) [7209-1511-011](#) [7210-1511-012](#) [7210-1511-015](#) [7210-1511-019](#) [7210-1511-040](#) [7225-1512-050](#) [7242-1511-000](#) [73137-5015](#) [73216-2241](#) [73251-0111](#) [73251-0672](#) [73276-1501](#) [73366-0013](#) [73404-2300](#) [73413-6080](#) [734151610](#)