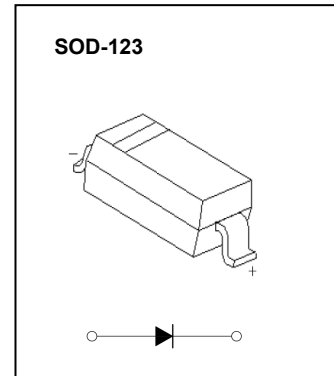


BA T46W SCHOTTKY BARRIER DIODE



FEATURES

- High breakdown voltage
- Low turn-on voltage
- Guard ring construction for transient protection

MARKING: Z46/S9

Maximum Ratings @T_a=25°C

| Parameter | Symbol | Limit | Unit |
|--|------------------|----------|------|
| Peak repetitive peak reverse voltage | V _{RRM} | 100 | V |
| Working peak reverse voltage | V _{RWM} | | |
| Forward continuous current | I _F | 150 | mA |
| Repetitive peak forward current (Note 1) @ tp < 1.0s, Duty Cycle < 50% | I _{FRM} | 350 | mA |
| Forward surge current (Note 1) @ tp = 10ms | I _{FSM} | 750 | mA |
| Power dissipation | P _D | 500 | mW |
| Thermal resistance junction to ambient air | R _{θJA} | 200 | °C/W |
| Junction temperature | T _j | 125 | °C |
| Storage temperature | T _{STG} | -55~+150 | °C |

ELECTRICAL CHARACTERISTICS (T_a=25°C unless otherwise specified)

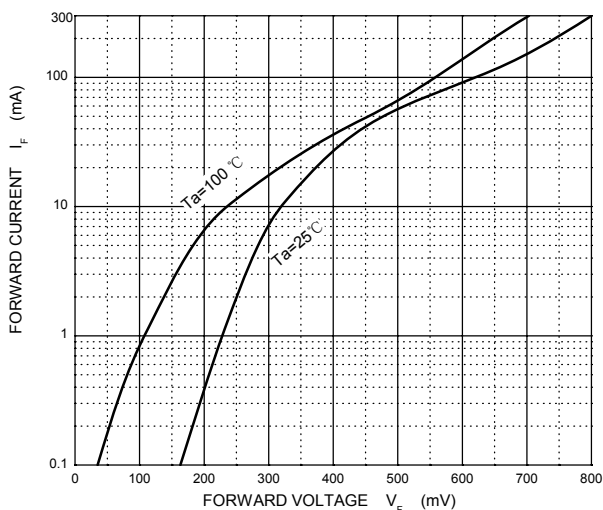
| Parameter | Symbol | Test Conditions | Min | Typ | Max | Unit |
|-----------------------------------|----------------|----------------------------|-----|-----|------|------|
| Reverse breakdown voltage(Note 2) | V _R | I _R = 100μA | 100 | | | V |
| Reverse voltage leakage current | I _R | V _{R1} =1.5V | | | 0.3 | μA |
| | | V _{R2} =10V | | | 0.5 | |
| | | V _{R3} =50V | | | 1 | |
| | | V _{R4} =75V | | | 2 | |
| Forward voltage(Note 2) | V _F | I _{F1} =0.1mA | | | 0.25 | V |
| | | I _{F2} =10mA | | | 0.45 | |
| | | I _{F3} =250mA | | | 1 | |
| Diode capacitance | C _T | V _R =0, f=1MHz | | 20 | | pF |
| | | V _R =1V, f=1MHz | | 12 | | |

Notes: 1. Part mounted on FR-4 board with recommended pad layout.
 2. Short duration pulse test used to minimize self-heating effect.

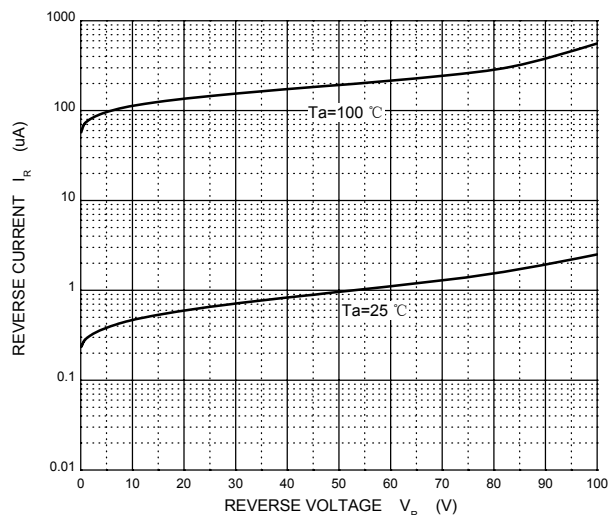
BA T46W

Typical Characteristics

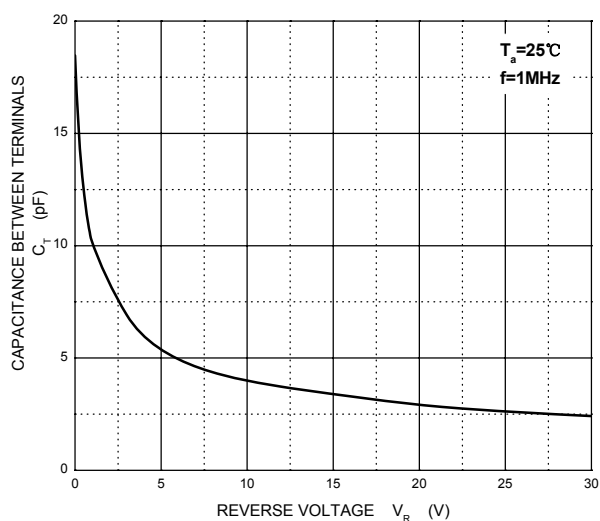
Forward Characteristics



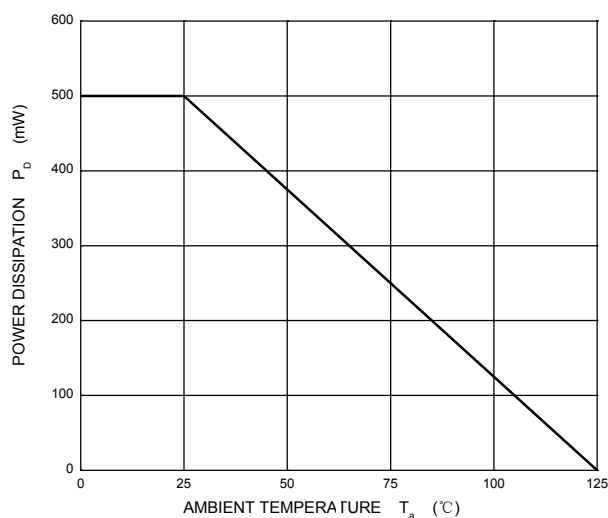
Reverse Characteristics



Capacitance Characteristics



Power Derating Curve



X-ON Electronics

Largest Supplier of Electrical and Electronic Components

Click to view similar products for [Schottky Diodes & Rectifiers](#) category:

Click to view products by [Formosa](#) manufacturer:

Other Similar products are found below :

[CUS06\(TE85L,Q,M\)](#) [MA4E2039](#) [D1FH3-5063](#) [MBR0530L-TP](#) [MBR10100CT-BP](#) [MBR30H100MFST1G](#) [MMBD301M3T5G](#) [PMAD1103-LF](#) [PMAD1108-LF](#) [RB160M-50TR](#) [RB520S-30](#) [RB551V-30](#) [DD350N18K](#) [DZ435N40K](#) [DZ600N16K](#) [BAS16E6433HTMA1](#) [BAS 3010S-02LRH E6327](#) [BAT 54-02LRH E6327](#) [IDL02G65C5XUMA1](#) [NSR05F40QNXT5G](#) [NSVR05F40NXT5G](#) [JANS1N6640](#) [SB07-03C-TB-H](#) [SB1003M3-TL-W](#) [SBAT54CWT1G](#) [SBM30-03-TR-E](#) [SBS818-TL-E](#) [SK32A-LTP](#) [SK33A-TP](#) [SK34A-TP](#) [SK34B-TP](#) [SMD1200PL-TP](#) [ACDBN160-HF](#) [SS3003CH-TL-E](#) [STPS30S45CW](#) [PDS3100Q-7](#) [GA01SHT18](#) [CRS10I30A\(TE85L,QM\)](#) [MBR1240MFST1G](#) [MBRB30H30CT-1G](#) [BAS28E6433HTMA1](#) [BAS 70-02L E6327](#) [HSB123JTR-E](#) [JANTX1N5712-1](#) [VS-STPS40L45CW-N3](#) [DD350N12K](#) [SB007-03C-TB-E](#) [SB10015M-TL-E](#) [SB1003M3-TL-E](#) [SK110-LTP](#)