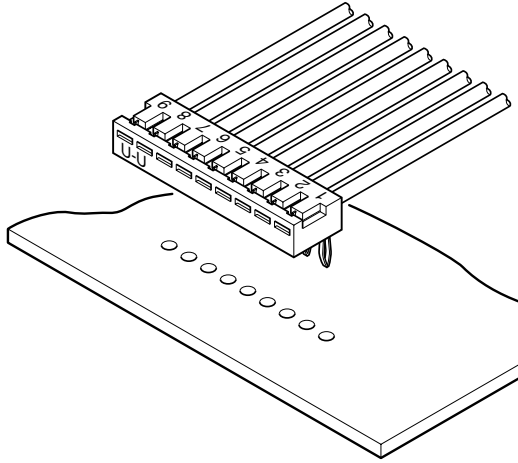




SJN CONNECTOR

2.0mm pitch/Board-in Crimp style connectors



Side entry type board-in connector, with a mounting height of only 2.8mm and a thickness of 4.9mm.

- Housing lances
- Easy mounting onto printed circuit boards

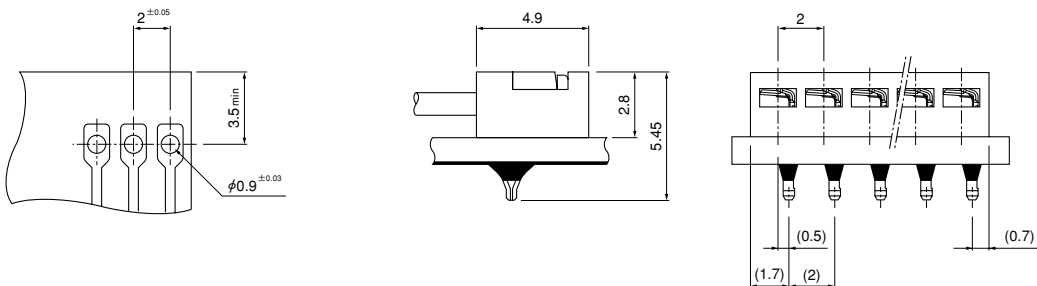
Specifications

- Current rating: 3 A AC, DC (AWG #22)
 - Voltage rating: 250 V AC, DC
 - Temperature range: -25°C to +85°C
(including temperature rise in applying electrical current)
 - Insulation resistance: 1,000 MΩ min.
 - Withstanding voltage: 800 VAC/minute
 - Applicable wire: AWG #28 to #22
 - Applicable PC board thickness: 1.2 to 1.6 mm
- * Refer to "General Instruction and Notice when using Terminals and Connectors" at the end of this catalog.
* Contact JST for details.
* Compliant with RoHS.

Standards

Recognized E60389

PC board layout and Assembly layout



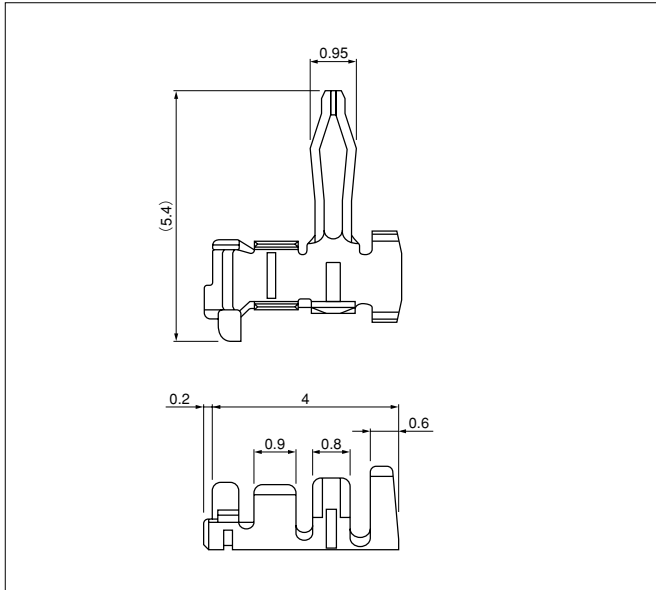
Note: 1. The above figure is the figure viewed from soldering side.

2. Tolerances are non-cumulative: ± 0.05 mm for all centers.

3. Hole dimensions differ according to the type of PC board and piercing method. The dimensions above should serve as a guideline. Contact JST for details.

SJN CONNECTOR

Contact



Model No.	Applicable wire		Insulation O.D.(mm)	Q'ty/ reel
	mm ²	AWG #		
SJN-001PT-0.9	0.20~0.33	24~22	1.1~1.4	15,000
SJN-002PT-0.9	0.08~0.22	28~24	0.9~1.4	18,000

Material and Finish

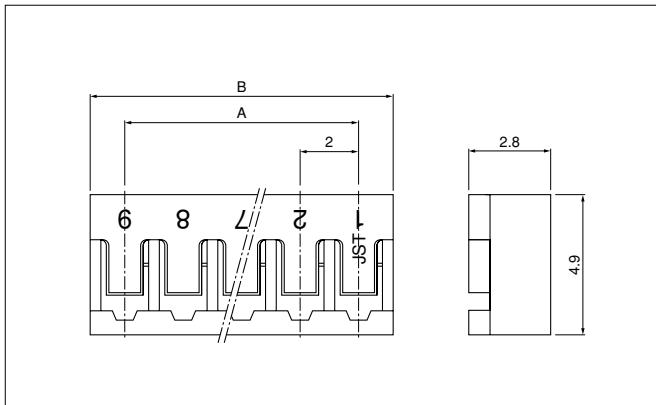
Brass, tin-plated (reflow treatment)

RoHS compliance

Note: Contact JST if you require shielded wires, thin wires or other special wires.

Contact	Crimping machine	Applicator		
		Crimp applicator	Dies	Crimp applicator with dies
SJN-001PT-0.9	AP-K2N	MKS-L	MK/SJN-001-09	APLMK SJN001-09
		—	—	—
SJN-002PT-0.9		MKS-L	MK/SJN-002-09	APLMK SJN002-09
		—	—	—

Housing



Circuits	Model No.	Dimensions (mm)		Q'ty/ bag
		A	B	
2	02P-SJN	2.0	4.4	2,000
3	03P-SJN	4.0	6.4	1,000
4	04P-SJN	6.0	8.4	1,000
6	06P-SJN	10.0	12.4	1,000
7	07P-SJN	12.0	14.4	1,000
8	08P-SJN	14.0	16.4	1,000
9	09P-SJN	16.0	18.4	1,000
10	10P-SJN	18.0	20.4	1,000
11	11P-SJN	20.0	22.4	5,000

Material

PA 66, UL94V-0, natural (white)

RoHS compliance

X-ON Electronics

Largest Supplier of Electrical and Electronic Components

Click to view similar products for [Headers & Wire Housings](#) category:

Click to view products by [JST](#) manufacturer:

Other Similar products are found below :

[95000-104TRLF](#) [10135584-644402LF](#) [DF62W-EP2022PCA](#) [95000-106TRLF](#) [DF62W-2022SCA](#) [DF62W-EP2022PC](#) [2203348](#) [DF62W-2022SC](#) [1084018](#) [1029039](#) [1084017](#) [802-10-012-10-002000](#) [1112640](#) [1112639](#) [891-007-9SS-BST1T](#) [000-34000](#) [0008550134](#) [0009482033](#) [0009507031](#) [57102-F02-18ULF](#) [57102-S06-03LF](#) [57202-S52-04LF](#) [PCN6-15S-2.5E](#) [0039019024](#) [58102-G61-06LF](#) [582553-1](#) [0009485154](#) [0009508121](#) [0022285053](#) [0050291907](#) [018731A](#) [LY20-4P-DT1-P1E-BR](#) [02.125.8002.8](#) [60101931](#) [60598-1 \(Cut Strip\)](#) [M1625-3R/100](#) [61062-3](#) [61082-181009](#) [CSU011177004](#) [636-1427](#) [638009-1](#) [641938-9](#) [641991-4](#) [644168-1](#) [644827-2](#) [647662-1](#) [65039-019ELF](#) [65692-001LF](#) [65781-018](#) [65781-047](#)